



US00D569434S

(12) **United States Design Patent**
Cetera

(10) **Patent No.:** **US D569,434 S**

(45) **Date of Patent:** **** May 20, 2008**

(54) **PEN GRIP**

(75) Inventor: **Carl Cetera**, Tenafly, NJ (US)

(73) Assignee: **Cotapaxi Custom Design and Manufacturing, LLC**, Carlstadt, NJ (US)

(**) Term: **14 Years**

(21) Appl. No.: **29/249,550**

(22) Filed: **Oct. 11, 2006**

(51) **LOC (8) Cl.** **19-06**

(52) **U.S. Cl.** **D19/55**

(58) **Field of Classification Search** D19/35,
D19/36, 41, 42, 43, 44, 45, 46, 47, 48, 49,
D19/50, 51, 53, 54, 55, 56, 57; 24/11 R,
24/11 F, 11 P; 401/6, 52, 99, 100, 104, 105,
401/106, 107, 108, 109, 192, 195, 196
See application file for complete search history.

(56) **References Cited**

U.S. PATENT DOCUMENTS

- 824,375 A * 6/1906 McIntyre 15/432
- 2,075,033 A * 3/1937 Garner 446/100
- D106,789 S * 11/1937 Gade D19/46
- D129,368 S * 9/1941 Cummings D8/99
- D140,696 S * 3/1945 Lovejoy D19/55
- 2,443,571 A * 6/1948 Wherry 401/88
- D162,522 S * 3/1951 Currence et al. D19/42
- D170,539 S * 10/1953 Lovejoy D19/50
- 3,480,370 A * 11/1969 Koeln 401/107
- D245,504 S * 8/1977 Defores D19/50
- 4,728,212 A * 3/1988 Spector 401/88
- D303,991 S * 10/1989 Murphy D19/48
- H001050 H * 5/1992 Petrillo 401/6
- D327,912 S * 7/1992 Tsai D19/51
- D330,725 S * 11/1992 Samuel D19/50
- D333,677 S * 3/1993 Giralt D19/48

- D345,175 S * 3/1994 Giralt D19/42
- D362,019 S * 9/1995 Linderson D19/48
- D364,186 S * 11/1995 Kuo D19/48
- 5,617,304 A * 4/1997 Huang 362/118
- 6,164,856 A * 12/2000 Lo 401/52
- 6,273,626 B1 * 8/2001 Yazawa 401/6
- 6,447,193 B1 * 9/2002 Kageyama et al. 401/104
- 6,488,430 B1 * 12/2002 Jimenez 401/195
- D476,034 S * 6/2003 Rommel D19/55
- D489,758 S * 5/2004 Katami D19/46
- 6,848,851 B2 * 2/2005 Yokouchi 401/6
- D509,537 S * 9/2005 Bianchi et al. D19/43
- D513,766 S * 1/2006 Cetera D19/36
- D543,586 S 5/2007 Cetera
- D545,901 S * 7/2007 Cetera D19/55
- D547,374 S * 7/2007 Deng D19/36
- 2006/0239761 A1 * 10/2006 Cetera 401/258
- 2006/0280545 A1 * 12/2006 Zawitz 401/6

* cited by examiner

Primary Examiner—Elizabeth A. Albert
Assistant Examiner—Karen E Eldridge Powers
(74) *Attorney, Agent, or Firm*—The Soni Law Firm

(57) **CLAIM**

The ornamental design for a pen grip, as shown and described.

DESCRIPTION

FIG. 1 is a front side bottom perspective view of a pen grip, showing my new design;

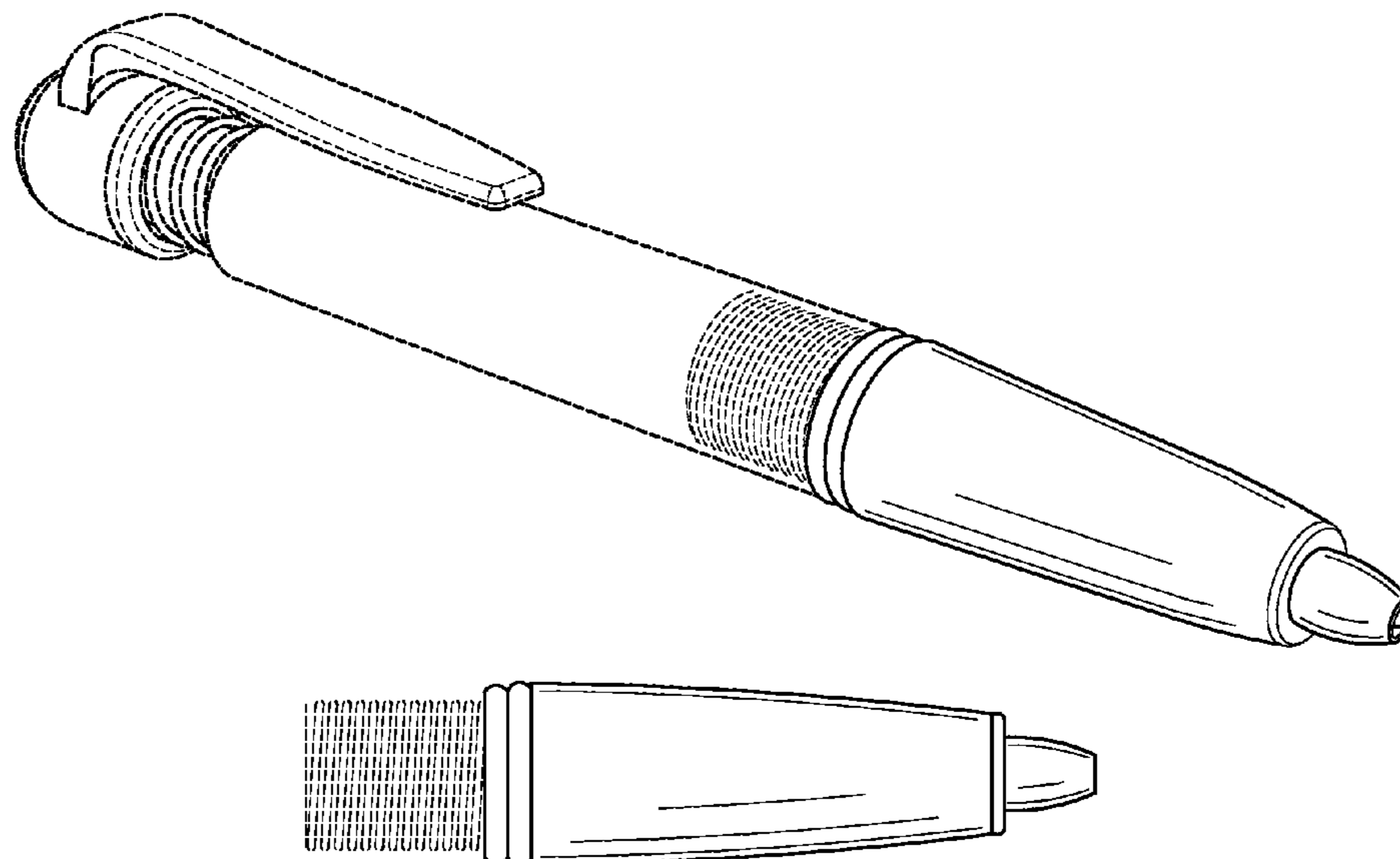
FIG. 2 is a side elevational view thereof;

FIG. 3 is a bottom plan view thereof; and,

FIG. 4 is a top plan view thereof.

The broken lines depicting environmental structure are for illustrative purposes only and form no part of the claimed design.

1 Claim, 1 Drawing Sheet



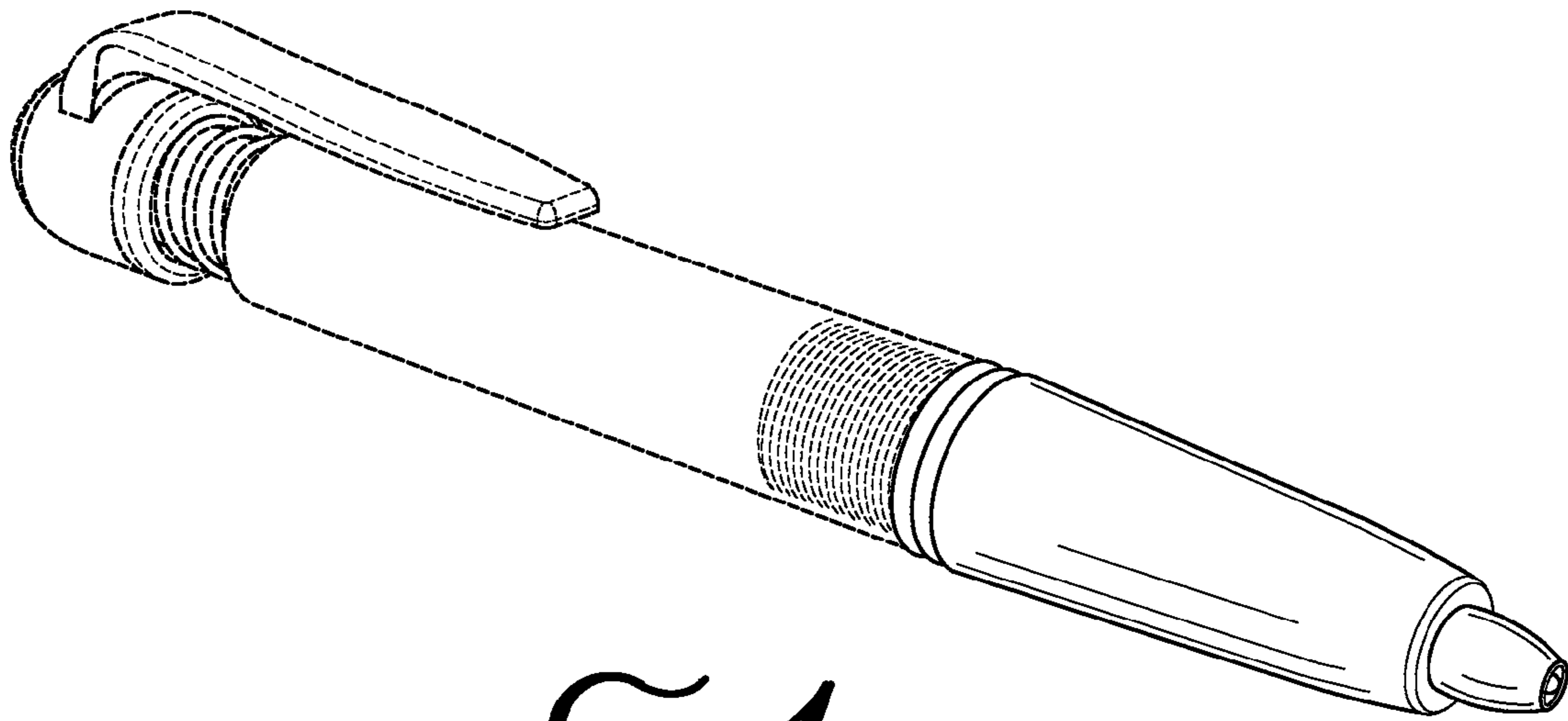


FIG. 1

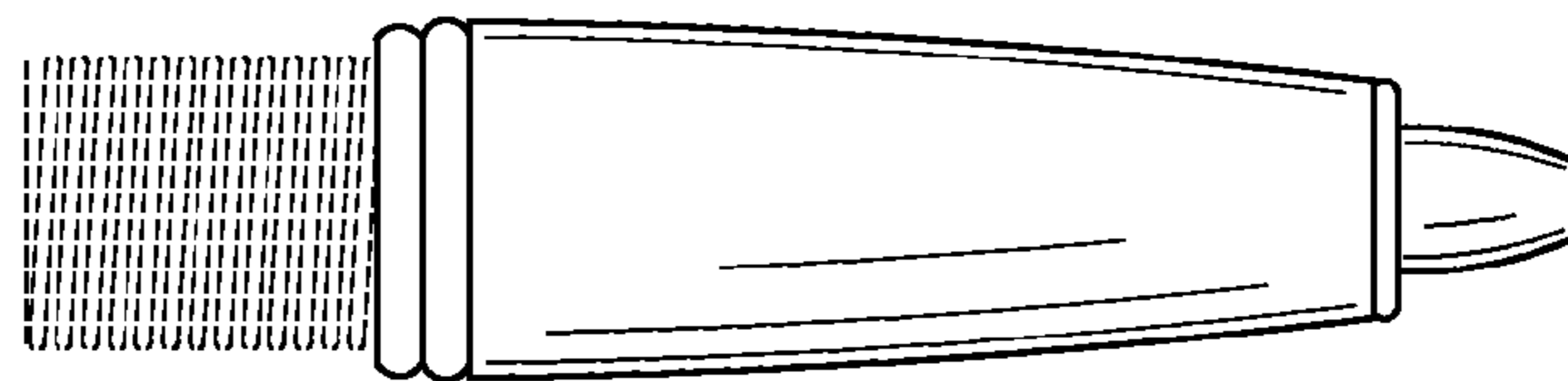


FIG. 2

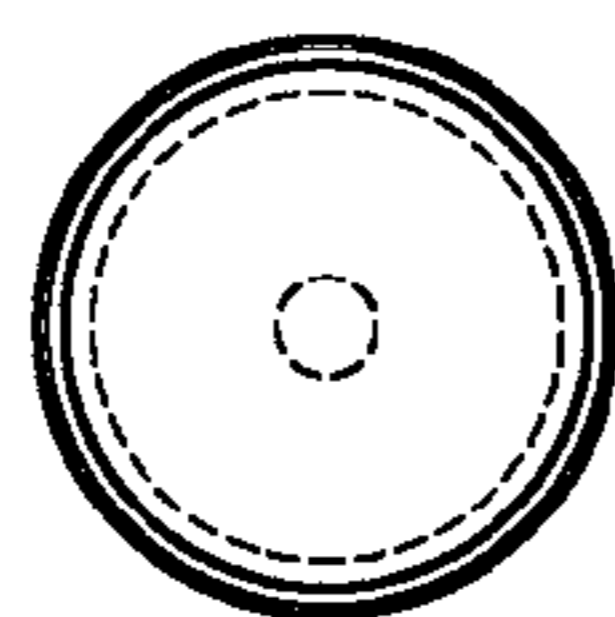


FIG. 3

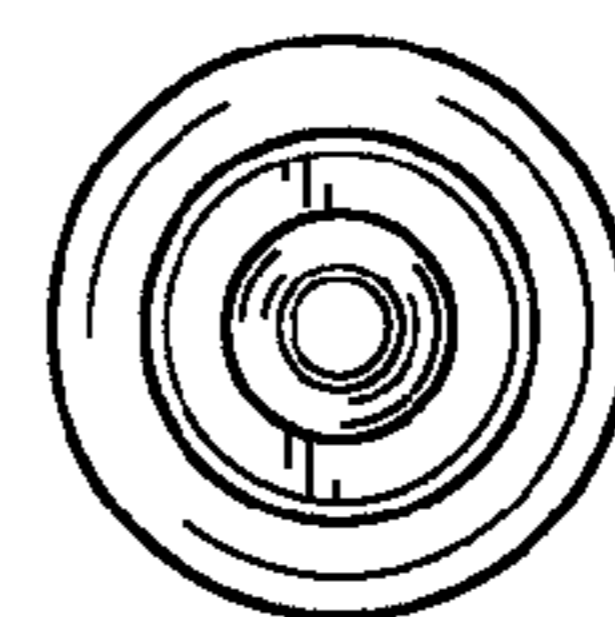


FIG. 4