

US00D569433S

(12) **United States Design Patent**  
**Gerules**

(10) **Patent No.:** **US D569,433 S**

(45) **Date of Patent:** **\*\* May 20, 2008**

(54) **DRY ERASE BOARD**

6,848,665 B1 \* 2/2005 Wu ..... 248/459

(75) Inventor: **Matthew Justin Gerules**, Chicago, IL  
(US)

(73) Assignee: **Sanford, L.P.**, Oak Brook, IL (US)

(\*\*) Term: **14 Years**

(21) Appl. No.: **29/266,425**

(22) Filed: **Sep. 20, 2006**

**Related U.S. Application Data**

(63) Continuation-in-part of application No. 11/533,242,  
filed on Sep. 19, 2006.

(51) **LOC (8) Cl.** ..... **19-06**

(52) **U.S. Cl.** ..... **D19/52**

(58) **Field of Classification Search** ..... D6/300-314,  
D6/419; D19/35, 36, 52; D20/10, 39-42;  
40/584, 745; 248/441.1, 444.1, 450, 465;  
362/99; 434/408, 409, 415, 417, 421, 425,  
434/428

See application file for complete search history.

(56) **References Cited**

**U.S. PATENT DOCUMENTS**

- 1,375,399 A \* 4/1921 Leonard ..... 241/95
- D137,047 S \* 1/1944 Halpern ..... D6/310
- D140,320 S \* 2/1945 Eubank ..... D6/314
- 4,073,460 A \* 2/1978 Dale ..... 248/441.1
- 4,496,127 A \* 1/1985 Nelson ..... 248/441.1
- D289,233 S \* 4/1987 Cadman ..... D6/314
- D307,686 S \* 5/1990 Cadman ..... D6/572
- D382,735 S \* 8/1997 Zapf ..... D6/492
- D410,683 S \* 6/1999 Carter ..... D19/52
- 6,493,976 B2 \* 12/2002 Kenney ..... 40/661
- D488,835 S \* 4/2004 Haruhiro ..... D19/90

**OTHER PUBLICATIONS**

Digital photograph of a Boone dry erase board which was publicly  
available before Sep. 20, 2006.

Digital photograph of Boone dry erase board which was publicly  
available before Sep. 20, 2006.

Digital photograph of Boone dry erase board which was publicly  
available before Sep. 20, 2006.

Digital photograph of Boone dry erase board which was publicly  
available before Sep. 20, 2006.

Digital photograph of an Umbra dry erase board which was publicly  
available before Sep. 20, 2006.

\* cited by examiner

*Primary Examiner*—Elizabeth A. Albert

(74) *Attorney, Agent, or Firm*—Marshall, Gerstein & Borun  
LLP

(57) **CLAIM**

The ornamental design for a dry erase board, as shown and  
described.

**DESCRIPTION**

FIG. 1 is a perspective view showing my new design for a  
dry erase board;

FIG. 2 is a front view of the dry erase board of FIG. 1;

FIG. 3 is a rear view of the dry erase board of FIG. 1;

FIG. 4 is a side view of the dry erase board of FIG. 1;

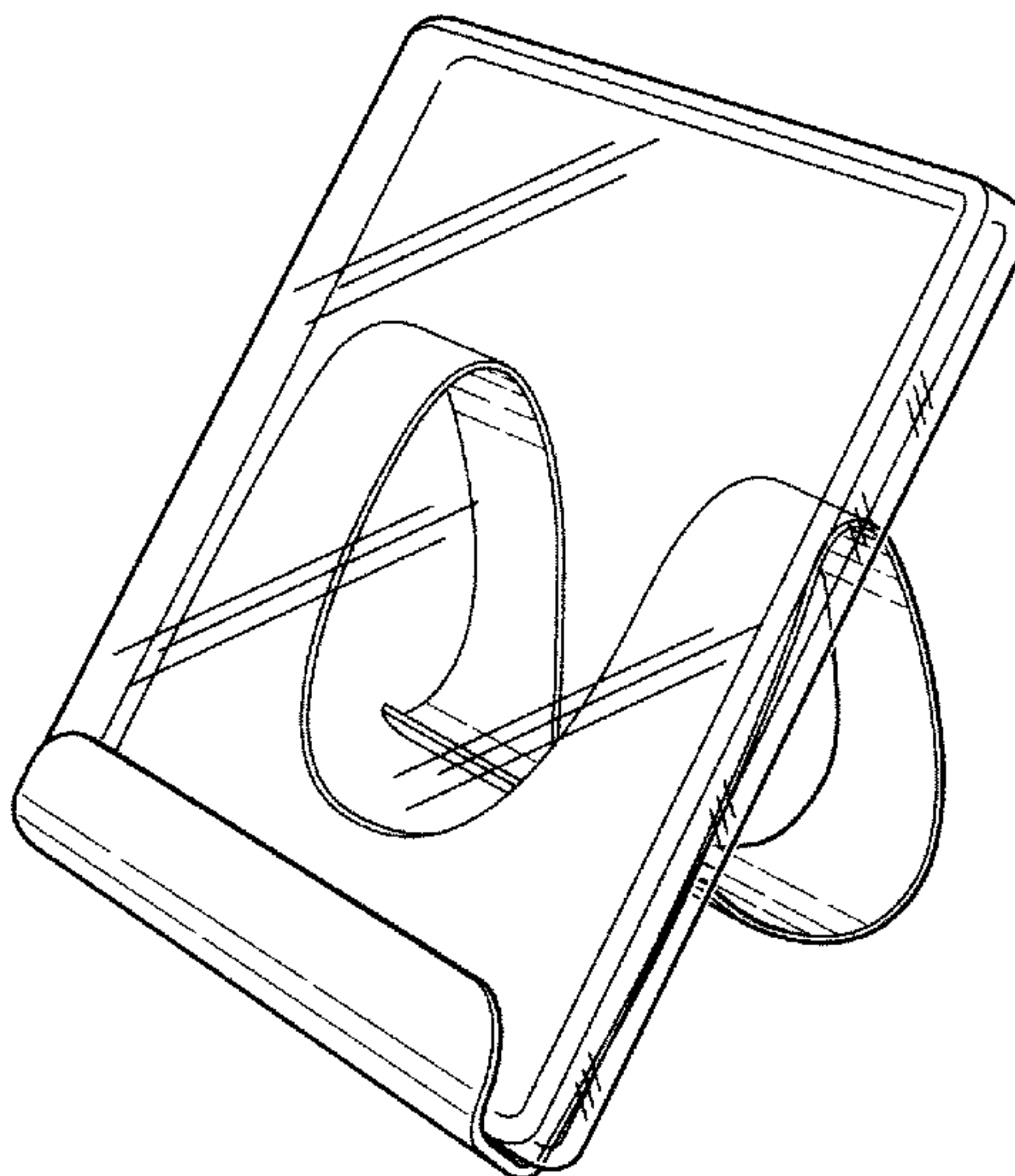
FIG. 5 is the opposite side view of the dry erase board of  
FIG. 1;

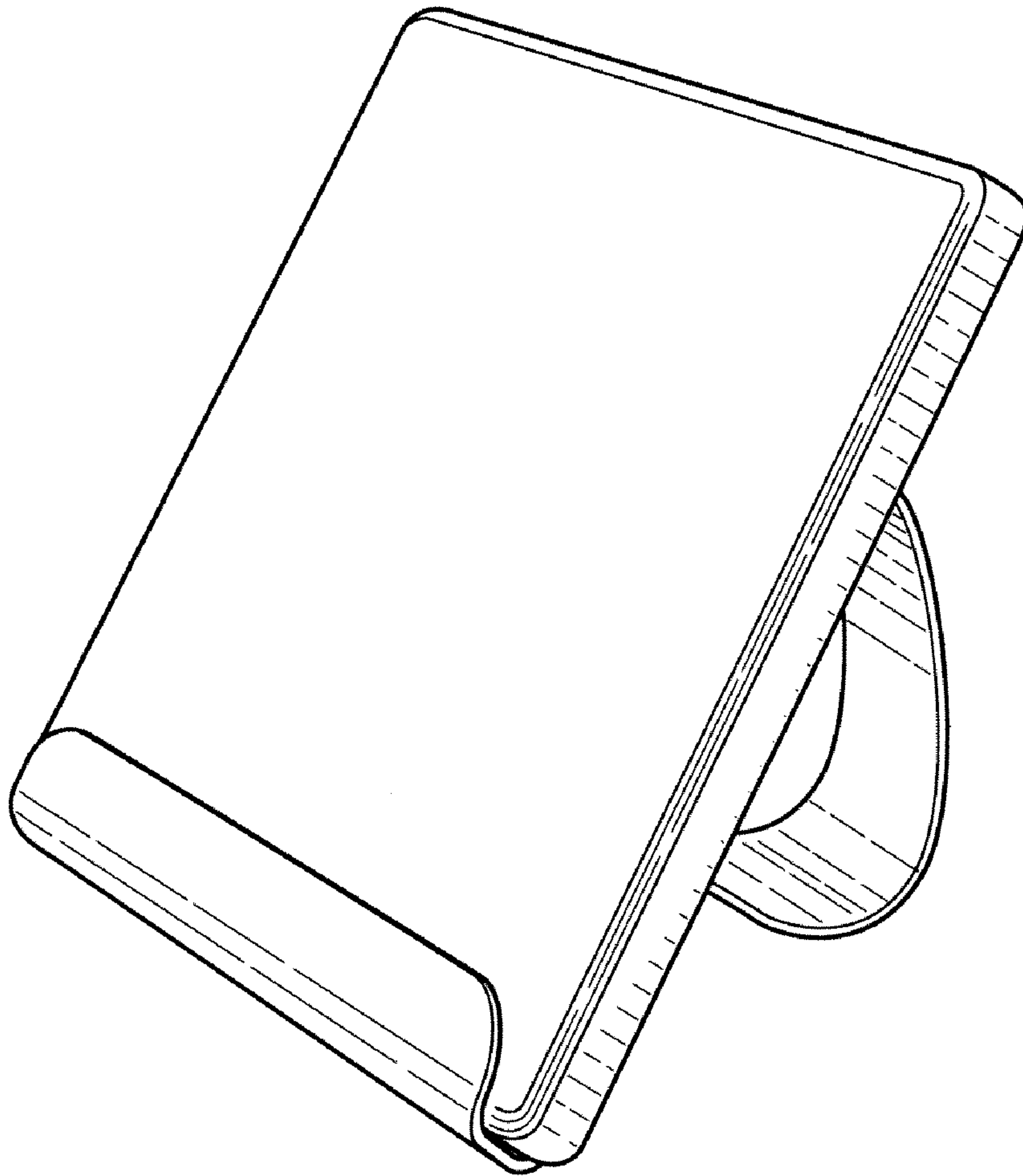
FIG. 6 is a top plan view of the dry erase board of FIG. 1;

FIG. 7 is a bottom plan view of the dry erase board of FIG.  
1; and,

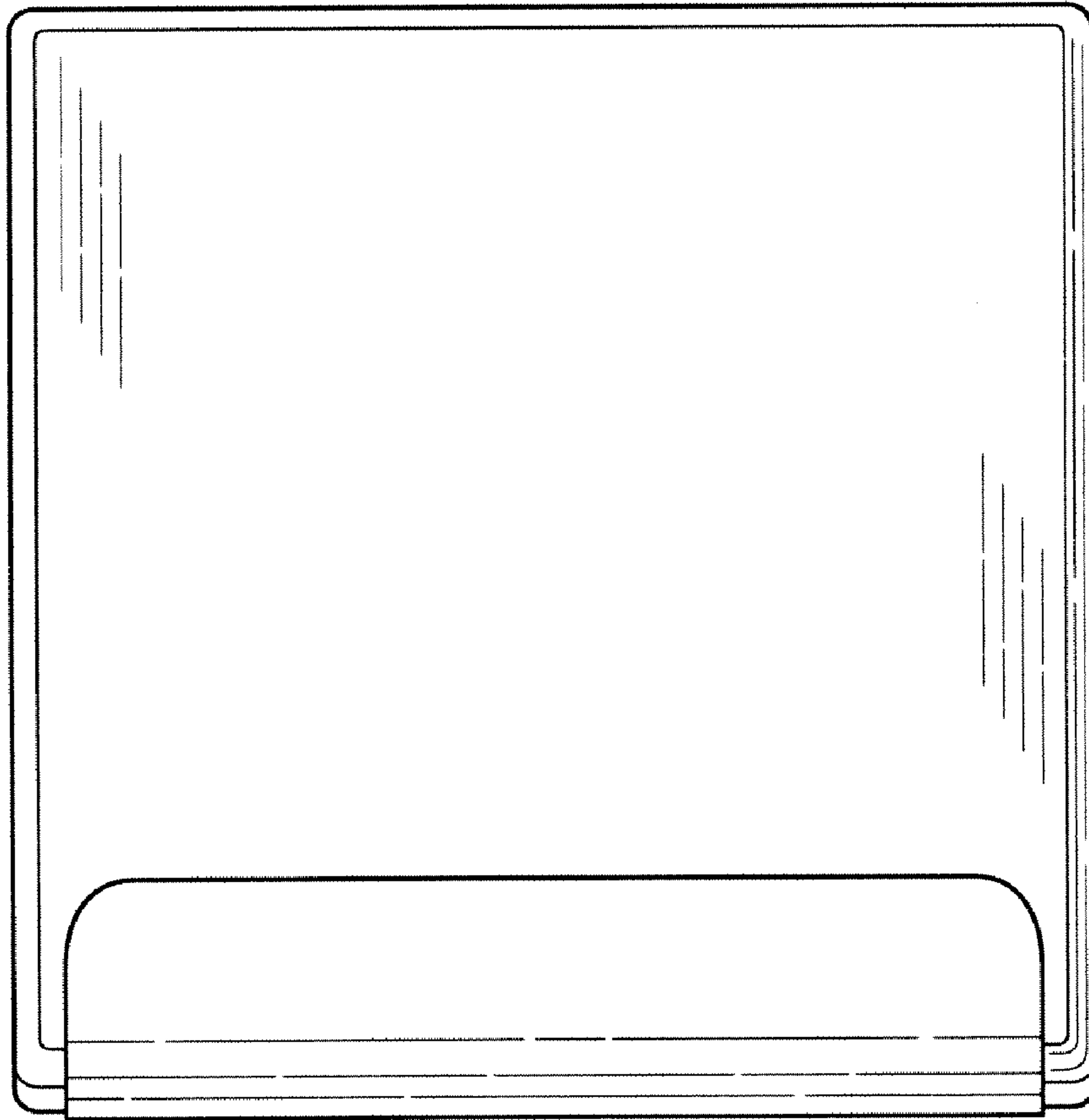
FIG. 8 is a perspective view showing a second embodiment  
of my new design for a dry erase board.

**1 Claim, 6 Drawing Sheets**

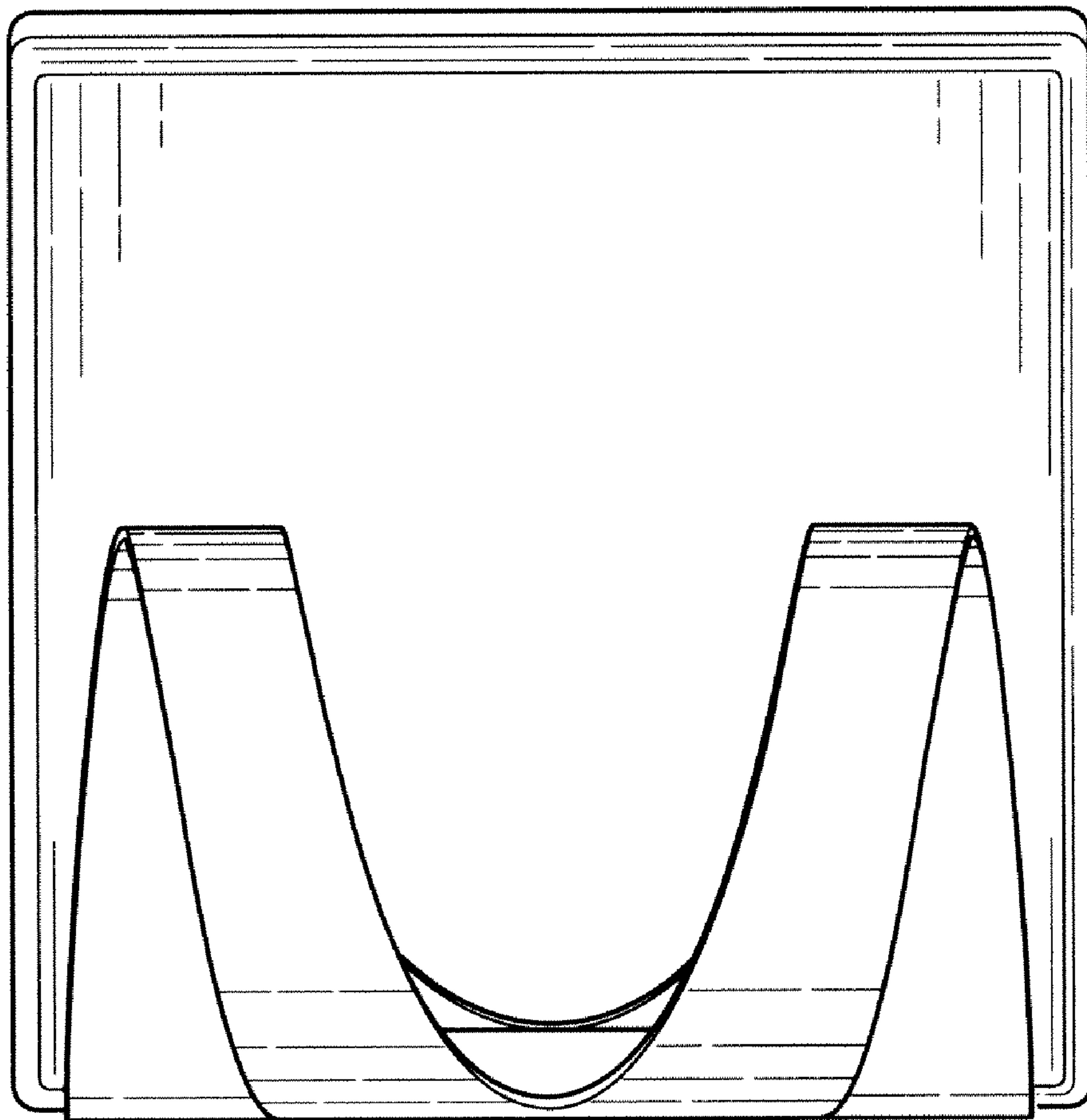




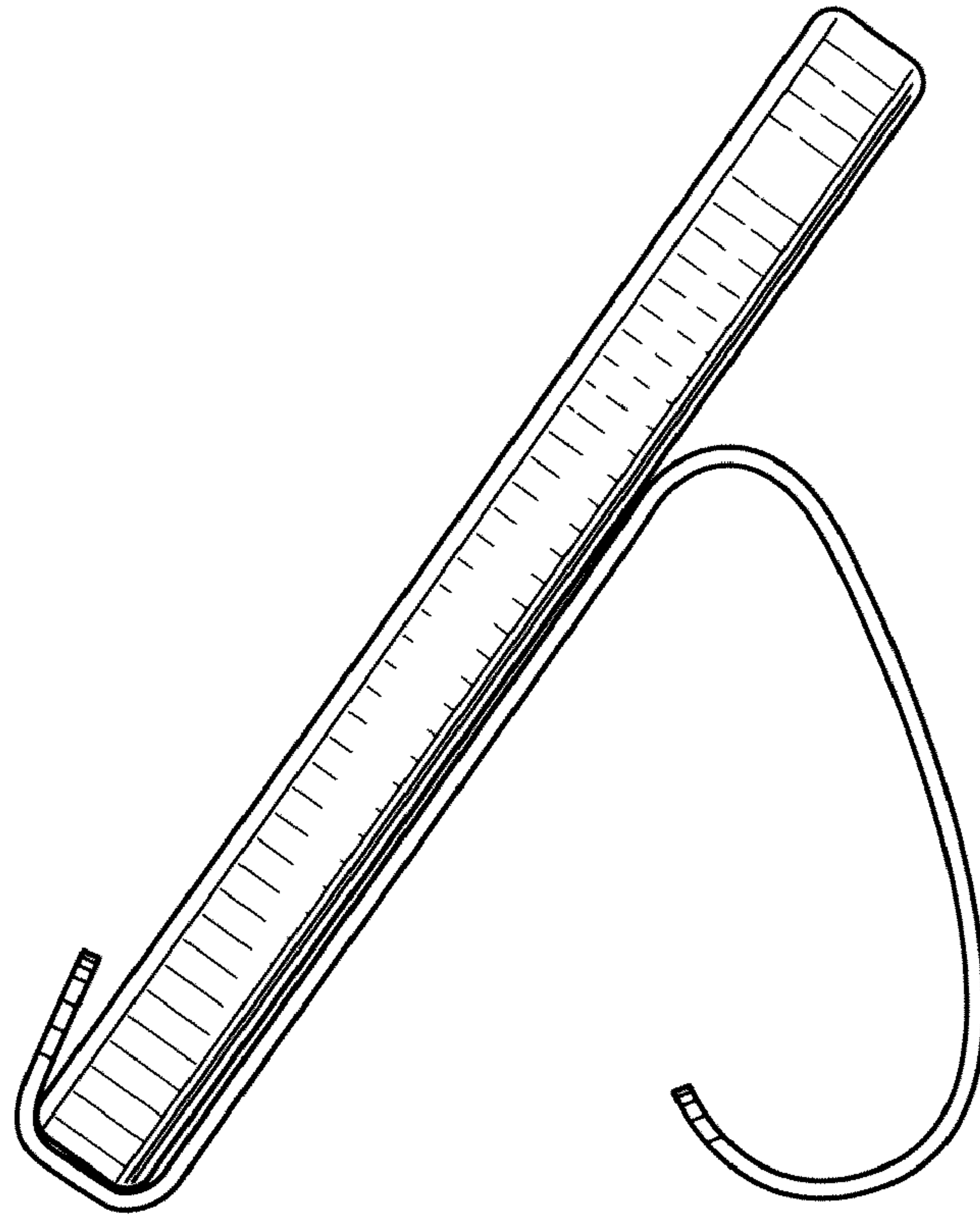
**FIG. 1**



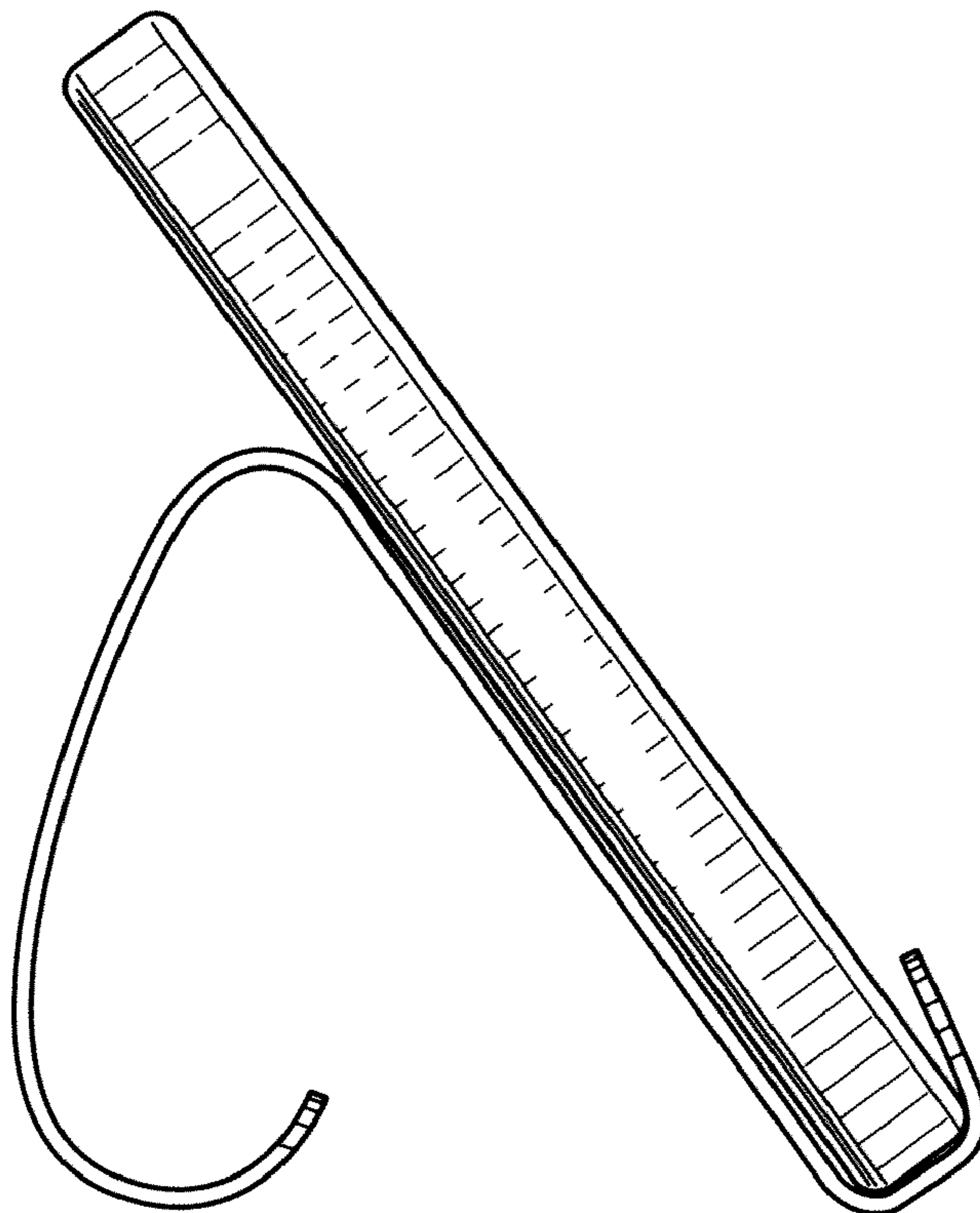
**FIG. 2**



**FIG. 3**

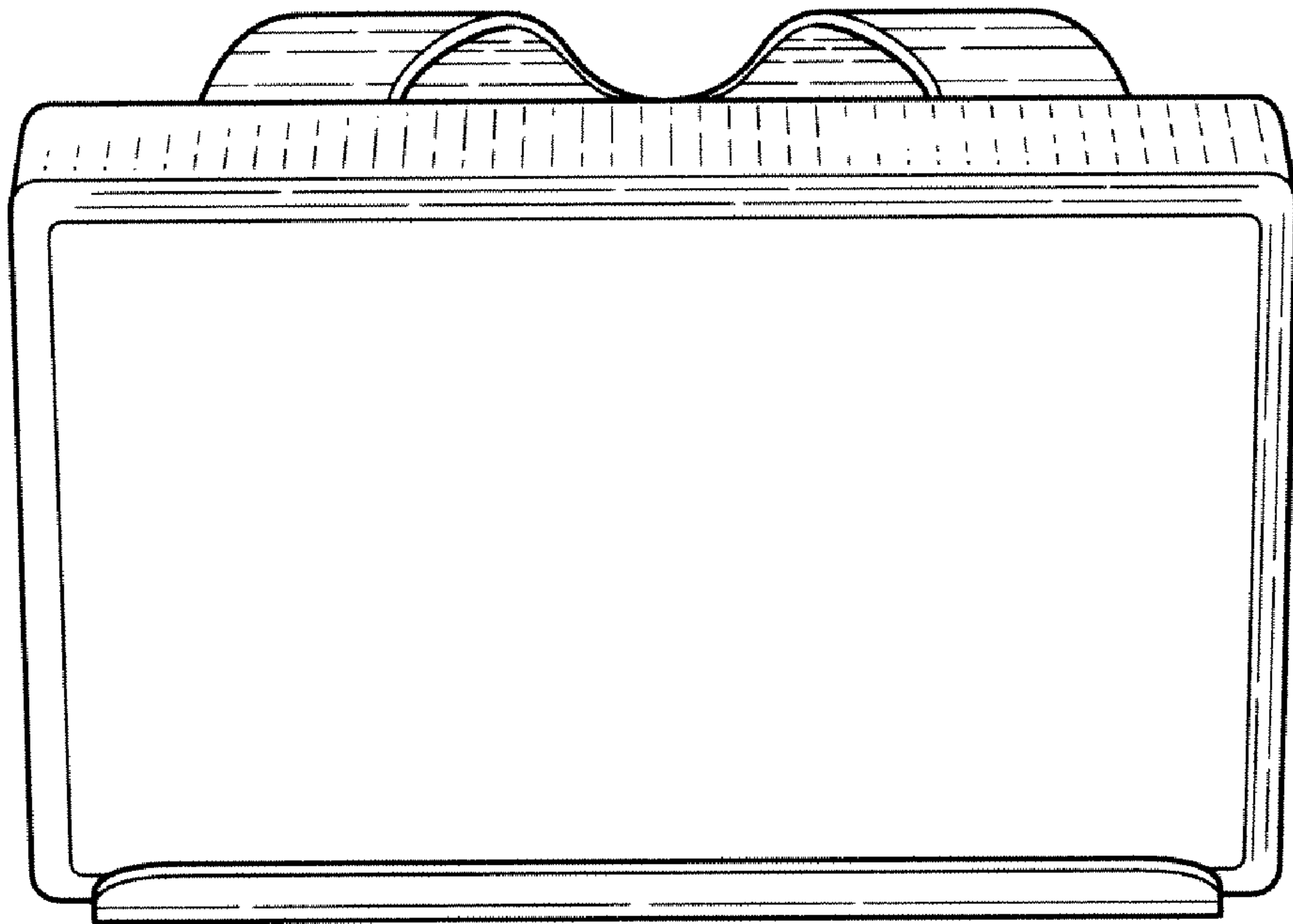


**FIG. 4**

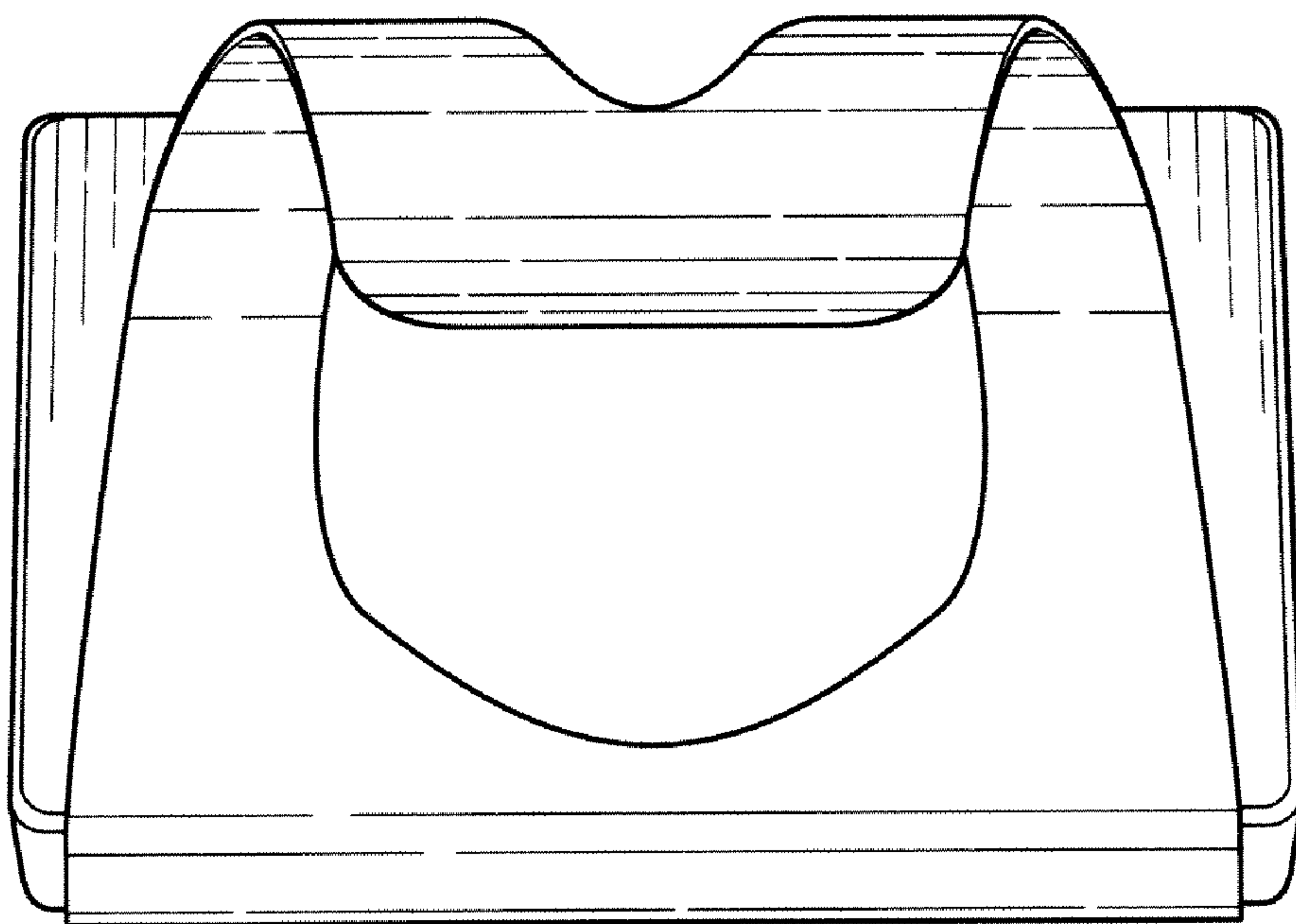


**FIG. 5**

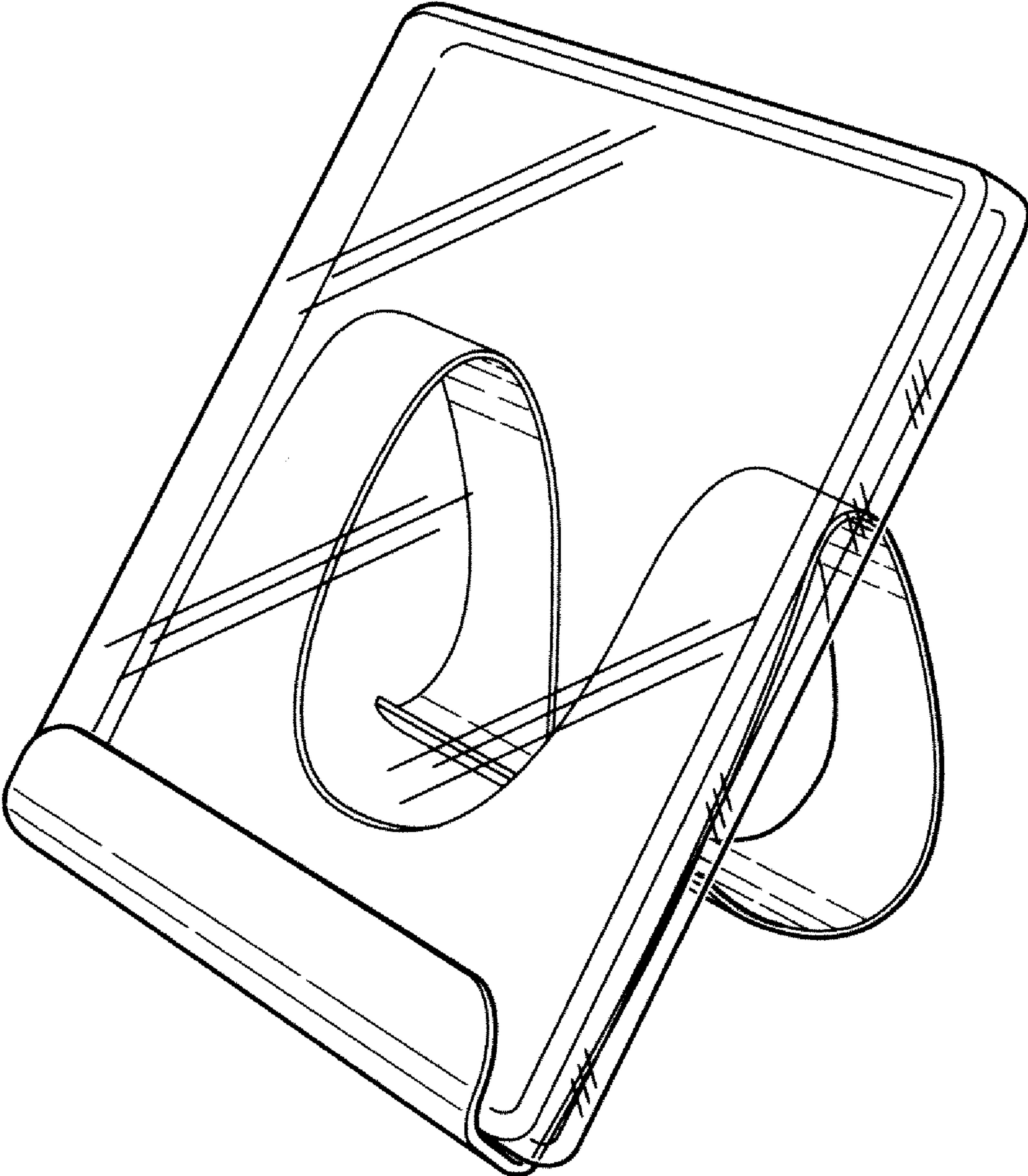




**FIG. 6**



**FIG. 7**



**FIG. 8**