

US00D569428S

(12) **United States Design Patent** (10) **Patent No.:** **US D569,428 S**
Qiu (45) **Date of Patent:** **** May 20, 2008**

(54) **HIGHLIGHTER**

(75) Inventor: **Zhiming Qiu**, Ningbo (CN)

(73) Assignee: **Beifa Group Co., Ltd.**, Ningbo (CN)

(**) Term: **14 Years**

(21) Appl. No.: **29/276,361**

(22) Filed: **Jan. 23, 2007**

(30) **Foreign Application Priority Data**

Jul. 27, 2006 (CN) 2006 3 0131593

(51) **LOC (8) Cl.** **19-06**

(52) **U.S. Cl.** **D19/43**

(58) **Field of Classification Search** D19/35,
D19/36, 41-51, 53-57; 24/11 F, 11 P, 11 R;
401/52, 99, 100, 104-109, 192, 195, 196
See application file for complete search history.

(56) **References Cited**

U.S. PATENT DOCUMENTS

D201,412 S *	6/1965	DeGroft	D19/43
D205,330 S *	7/1966	Capezzuto	D19/43
3,776,673 A *	12/1973	DeGroft	425/125
D286,546 S *	11/1986	Funahashi	D19/43
D330,725 S	11/1992	Samuel		
D403,703 S	1/1999	Campbell		
5,957,603 A *	9/1999	Bell	401/52
6,247,865 B1 *	6/2001	Russell et al.	401/202
6,572,297 B2 *	6/2003	Korper	401/186
D477,362 S	7/2003	Belton		
D493,832 S *	8/2004	Hung	D19/43
D496,070 S	9/2004	Furlong et al.		
D497,949 S	11/2004	Furlong		
D504,151 S	4/2005	Furlong		
D508,079 S	8/2005	Qiu		
6,932,531 B2 *	8/2005	Marschand et al.	401/202

D534,211 S *	12/2006	Kent et al.	D19/43
D540,382 S *	4/2007	Qiu	D19/43
D540,862 S *	4/2007	Qiu	D19/43
D540,865 S *	4/2007	Beno et al.	D19/43

OTHER PUBLICATIONS

Qiu, Z., et al., U.S. Appl. No. 29/250,873, filed Dec. 4, 2006.
Qiu, Z., et al., U.S. Appl. No. 29/277,084, filed Feb. 13, 2007.
Qiu, Z., et al., U.S. Appl. No. 29/277,088, filed Feb. 13, 2007.

* cited by examiner

Primary Examiner—Elizabeth A Albert

(74) *Attorney, Agent, or Firm*—Christensen O'Connor Johnson Kindness PLLC

(57) **CLAIM**

The ornamental design for a highlighter, as shown and described.

DESCRIPTION

FIG. 1 is an upper perspective view of a highlighter showing my new design;

FIG. 2 is a side elevation view of the highlighter shown in FIG. 1, with the cap removed and placed on the opposite end of the highlighter;

FIG. 3 is an exploded lower perspective view of the highlighter shown in FIG. 1;

FIG. 4 is a top plan view of the highlighter shown in FIG. 1;

FIG. 5 is a bottom plan view thereof;

FIG. 6 is a left side elevation view thereof;

FIG. 7 is a front elevation view thereof;

FIG. 8 is a right side elevation view thereof; and,

FIG. 9 is a rear elevation view thereof.

1 Claim, 4 Drawing Sheets

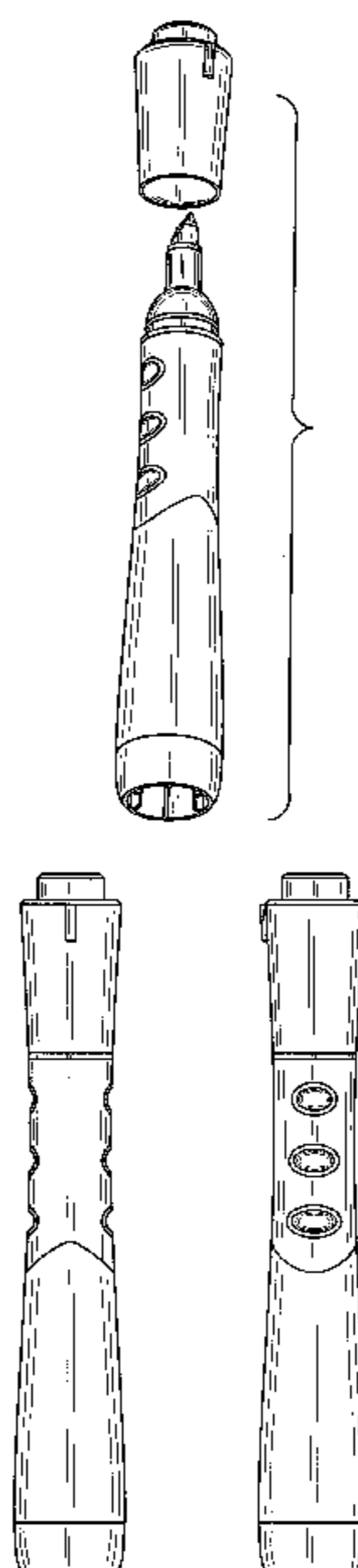


Fig.1.

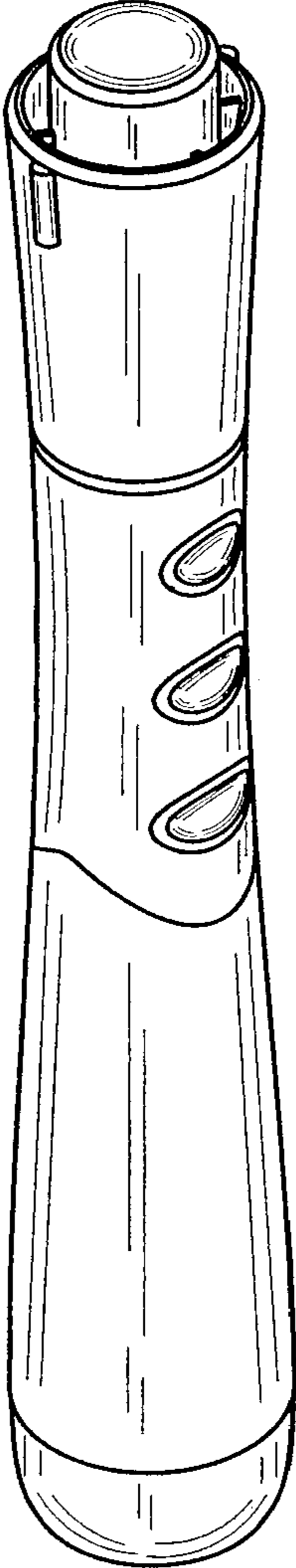


Fig.2.

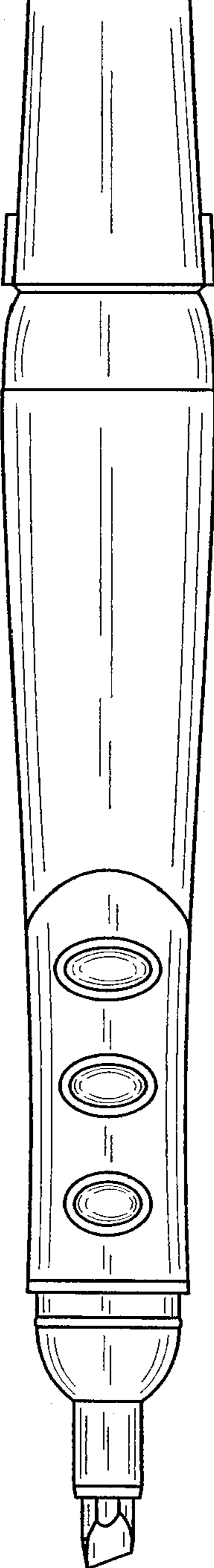


Fig. 3.

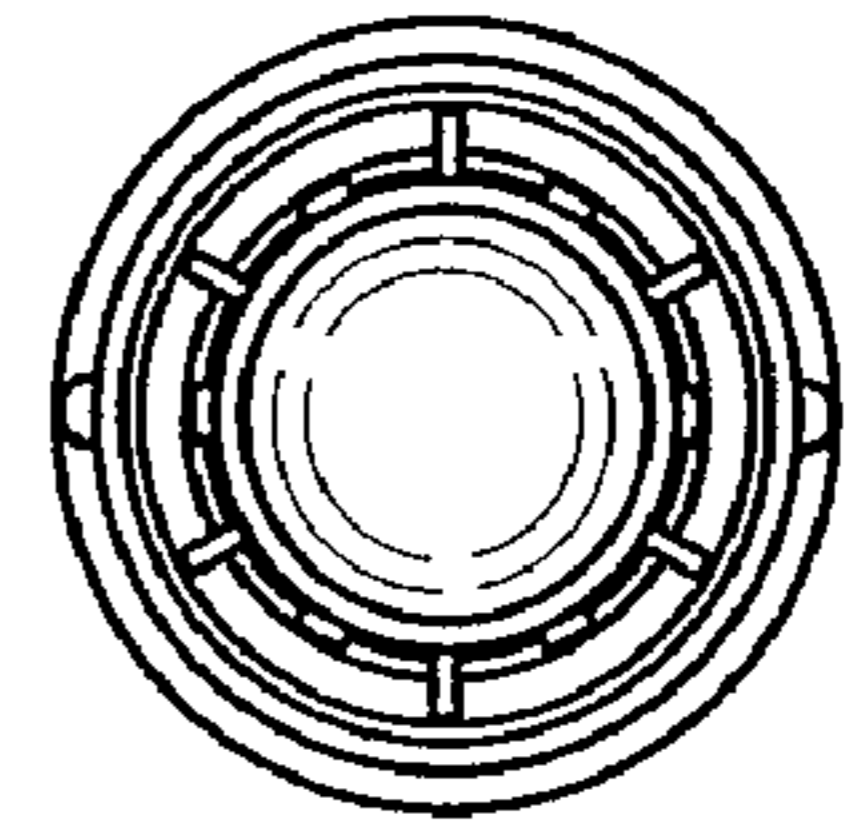
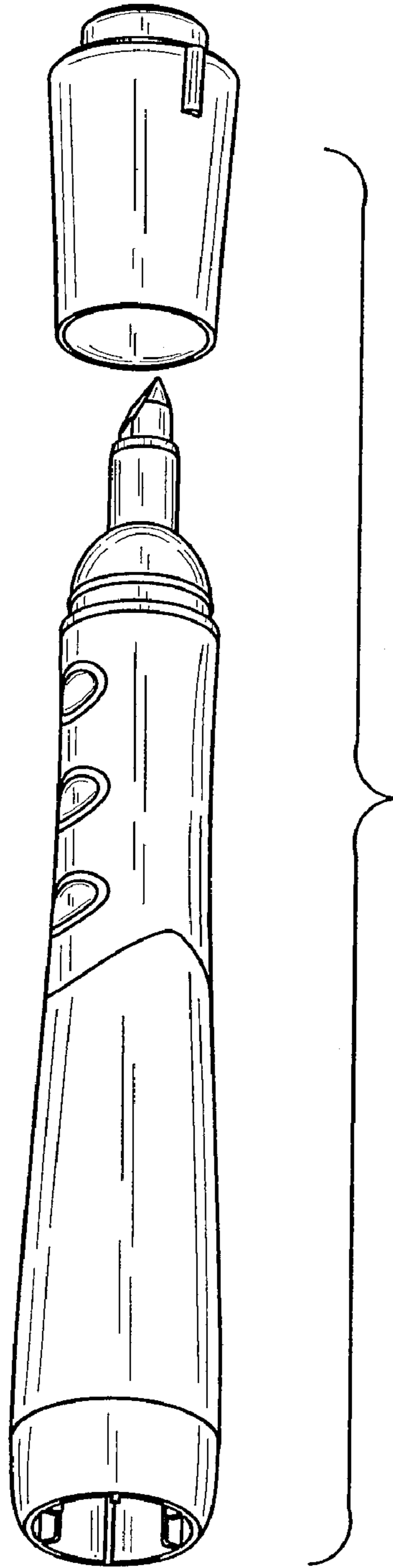


Fig. 4.

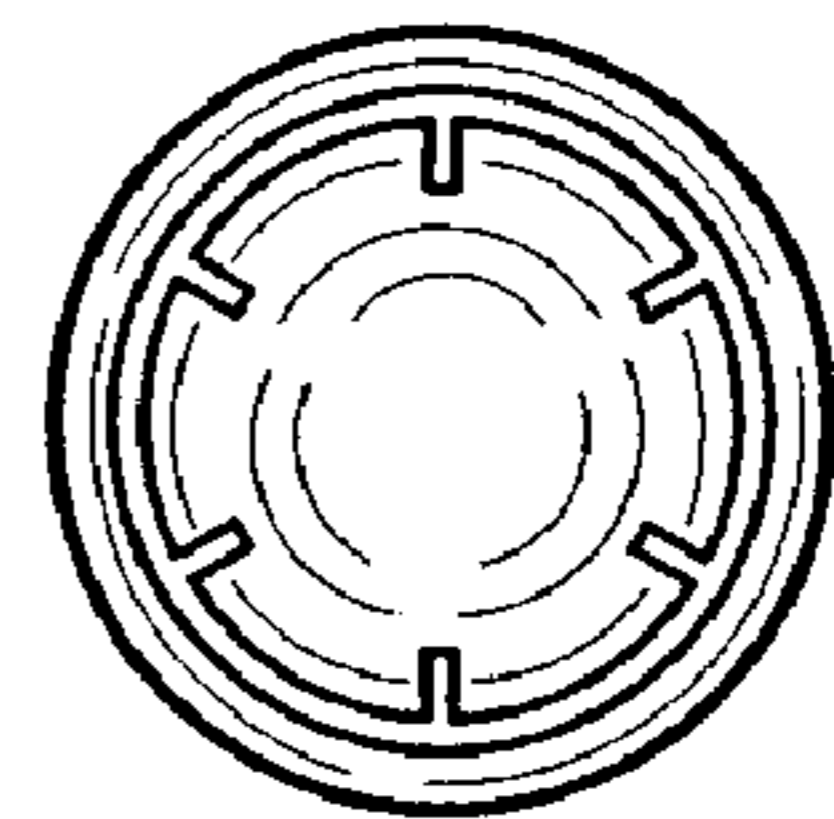


Fig. 5.

Fig. 6.

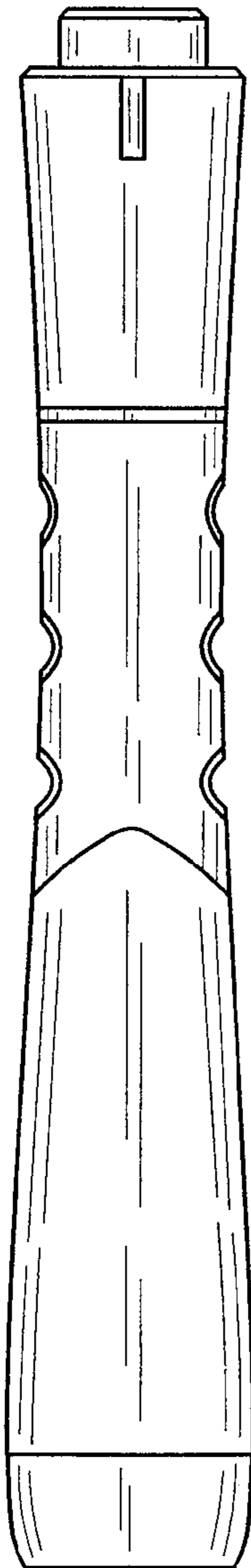


Fig. 7.

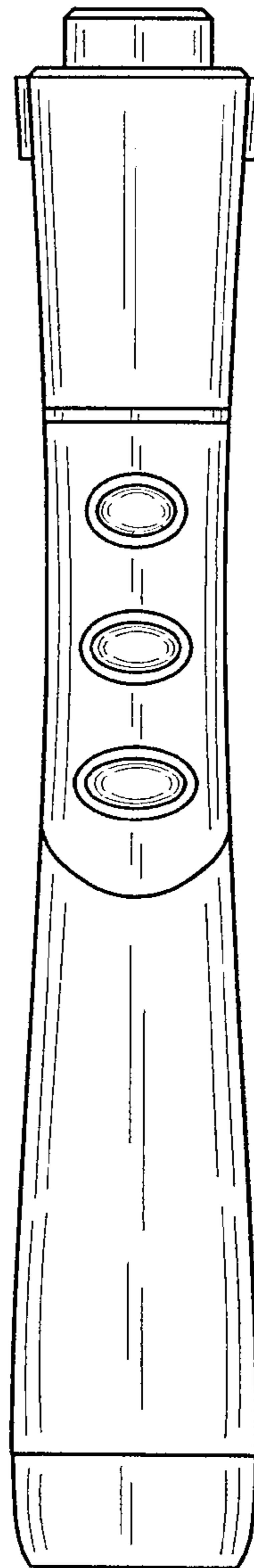


Fig. 8.

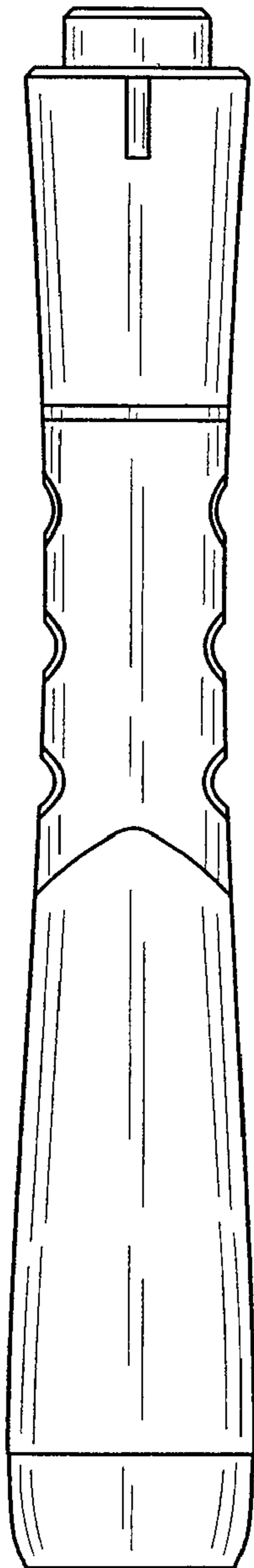
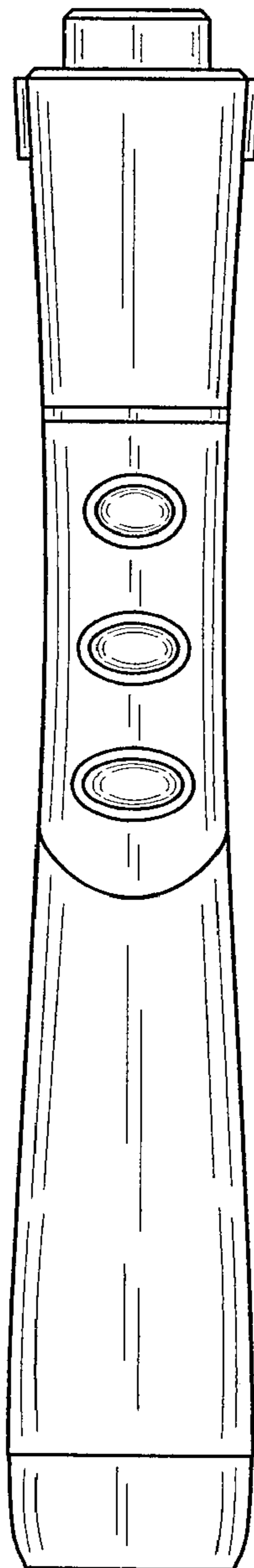


Fig. 9.



UNITED STATES PATENT AND TRADEMARK OFFICE
CERTIFICATE OF CORRECTION

PATENT NO. : Des. 569,428 S
APPLICATION NO. : 29/276361
DATED : May 20, 2008
INVENTOR(S) : Z. Qiu

Page 1 of 1

It is certified that error appears in the above-identified patent and that said Letters Patent is hereby corrected as shown below:

<u>COLUMN</u>	<u>LINE</u>	<u>ERROR</u>
(30) Pg. 1, col. 1	Foreign Appl. Priority Data	“2006 3 0131593” should read -- 2006 3 0131593.1 --

Signed and Sealed this

Twenty-third Day of September, 2008



JON W. DUDAS
Director of the United States Patent and Trademark Office