



US00D569426S

(12) **United States Design Patent**  
**Stockstill et al.**

(10) **Patent No.:** **US D569,426 S**

(45) **Date of Patent:** **\*\* May 20, 2008**

(54) **DEVICE FOR STORING PAPERS OR THE LIKE**

(75) Inventors: **Mark Richards Stockstill**, Dayton, OH (US); **Dan Edward Mueller**, Kettering, OH (US); **Greg Wyatt Simmons**, Springboro, OH (US)

(73) Assignee: **MeadWestvaco Corporation**, Glen Allen, VA (US)

(\*\*) Term: **14 Years**

(21) Appl. No.: **29/258,399**

(22) Filed: **Apr. 20, 2006**

(51) **LOC (8) Cl.** ..... **19-04**

(52) **U.S. Cl.** ..... **D19/26**

(58) **Field of Classification Search** ..... D19/26-33;  
D3/247, 294, 299, 303; 28/78, 85; 40/530,  
40/536, 537; 206/472, 556; 281/15.1, 29,  
281/19.1, 31, 21.1, 22; 283/63.1, 64  
See application file for complete search history.

(56) **References Cited**

**U.S. PATENT DOCUMENTS**

4,856,817 A 8/1989 Moor  
D313,619 S 1/1991 Moor  
6,030,140 A \* 2/2000 Karten et al. .... 402/73

D476,682 S \* 7/2003 Berry et al. .... D19/27  
D493,483 S \* 7/2004 Wehmeyer et al. .... D19/26  
D499,761 S \* 12/2004 Walley et al. .... D19/26  
D504,463 S \* 4/2005 Wehmeyer .... D19/26  
D513,279 S \* 12/2005 Hough et al. .... D19/86  
D518,105 S \* 3/2006 Hough et al. .... D19/86

\* cited by examiner

*Primary Examiner*—Elizabeth A. Albert  
*Assistant Examiner*—Kelley A Donnelly

(57) **CLAIM**

The ornamental design for a device for storing papers or the like, as shown and described.

**DESCRIPTION**

FIG. 1 is a perspective view of a device for storing papers or the like showing our new design;

FIG. 2 is a front view of the device of FIG. 1;

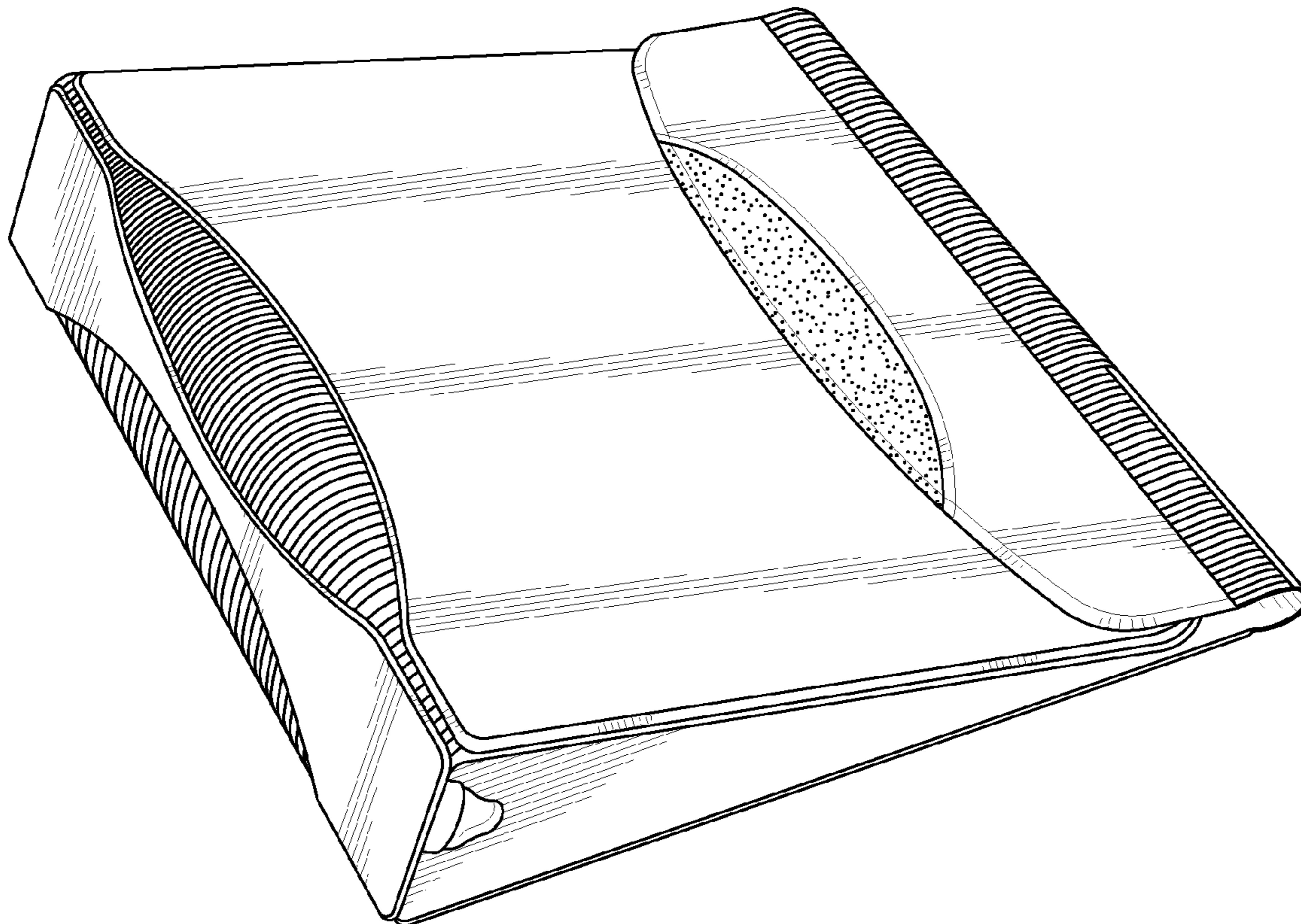
FIG. 3 is a left side view of the device of FIG. 1;

FIG. 4 is a right side view of the device of FIG. 1; and,

FIG. 5 is a top view of the device of FIG. 1.

The stippling that can be seen on the flap portion of the claimed design is a type of shading that represents surface material.

**1 Claim, 3 Drawing Sheets**



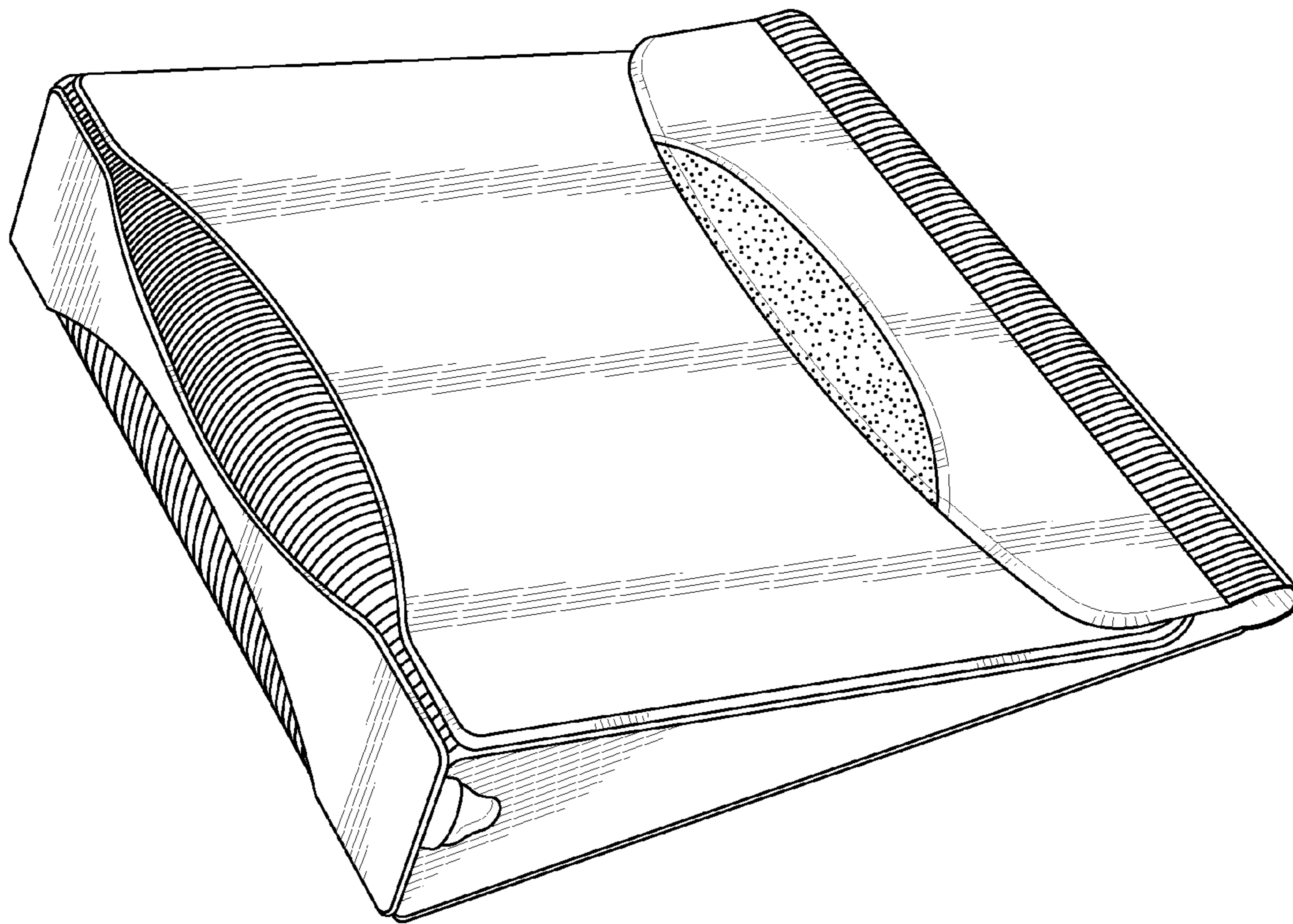


FIG. 1

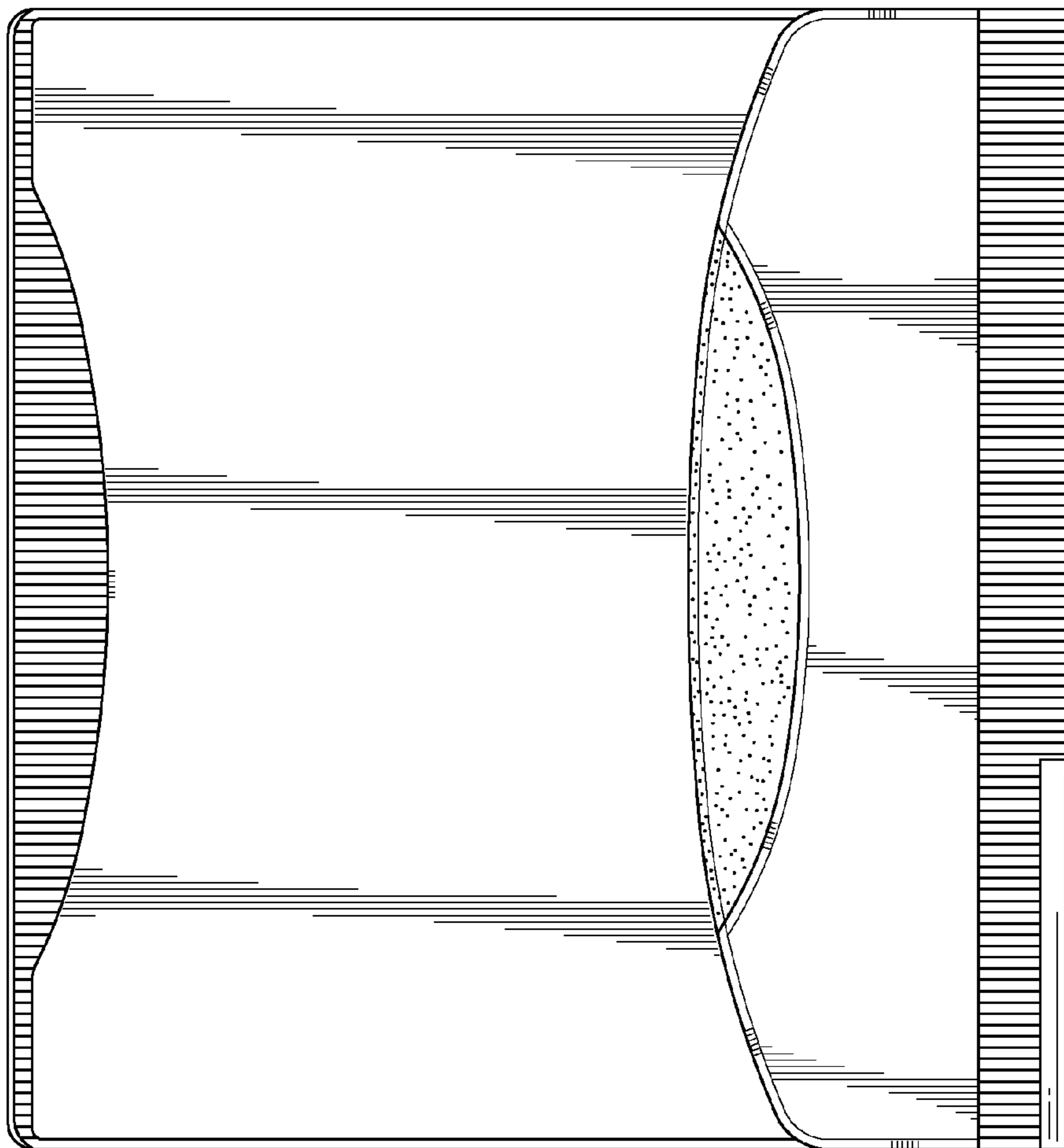


FIG. 2

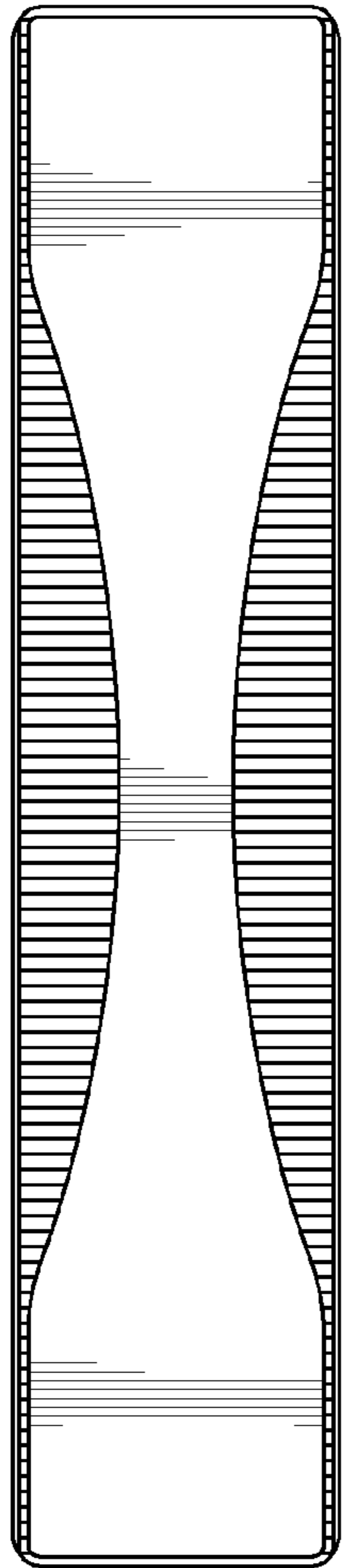


FIG. 3

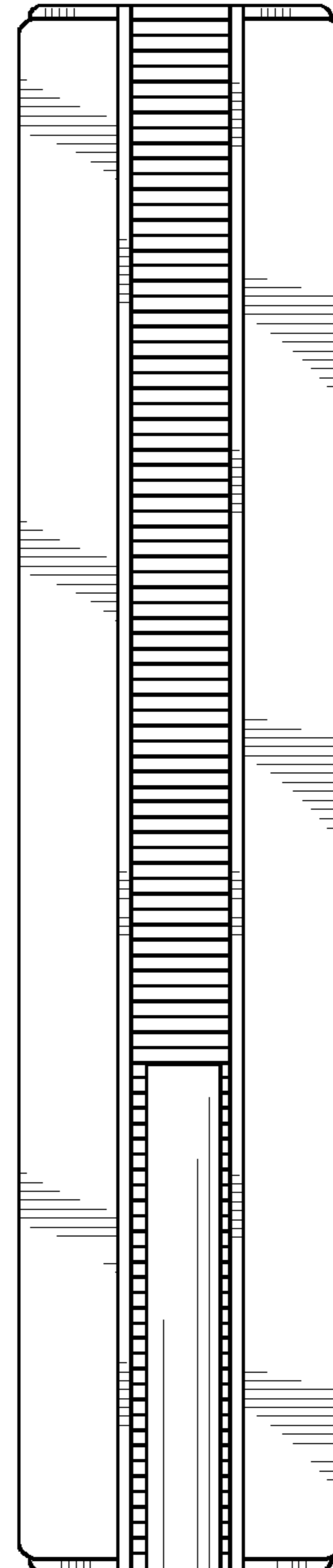


FIG. 4

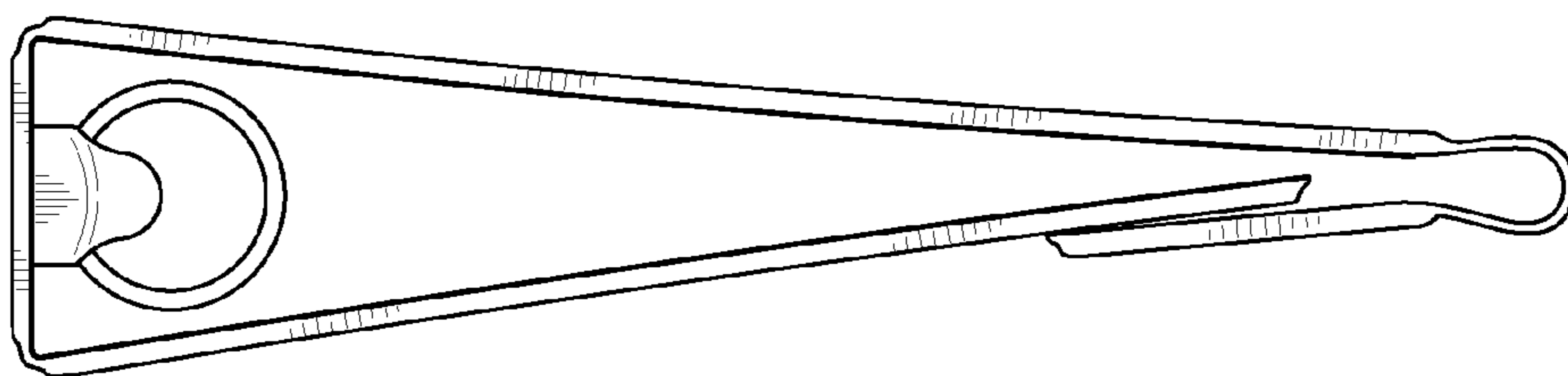


FIG. 5