



US00D569421S

(12) **United States Design Patent**
Matsumoto

(10) **Patent No.:** **US D569,421 S**

(45) **Date of Patent:** **** May 20, 2008**

(54) **INK CARTRIDGE**

(75) Inventor: **Hitoshi Matsumoto**, Matsumoto (JP)

(73) Assignee: **Seiko Epson Corporation** (JP)

(**) Term: **14 Years**

(21) Appl. No.: **29/272,831**

(22) Filed: **Feb. 15, 2007**

(30) **Foreign Application Priority Data**

Aug. 22, 2006 (JP) 2006-022096

(51) **LOC (8) Cl.** **18-02**

(52) **U.S. Cl.** **D18/56; 347/86**

(58) **Field of Classification Search** D18/40,
D18/43, 56; 347/86-87

See application file for complete search history.

(56) **References Cited**

U.S. PATENT DOCUMENTS

D477,020 S *	7/2003	Seino	D18/56
D489,757 S *	5/2004	Matsumoto	D18/56
D522,049 S *	5/2006	Ishizawa et al.	D18/56
D524,855 S *	7/2006	Ishizawa et al.	D18/56
D529,954 S *	10/2006	Matsumoto	D18/56
D534,581 S *	1/2007	Ikezaki et al.	D18/56
2005/0036015 A1 *	2/2005	Seino et al.	347/86

2005/0057625 A1* 3/2005 Ishizawa et al. 347/86

* cited by examiner

Primary Examiner—Cathy Anne MacCormac

(74) *Attorney, Agent, or Firm*—Harness, Dickey & Pierce, P.L.C.

(57) **CLAIM**

The ornamental design for an ink cartridge, as shown and described.

DESCRIPTION

FIG. 1 is a perspective view of an ink cartridge, as viewed from the top, rear and right side, embodying the new design;

FIG. 2 is a perspective view thereof, as viewed from the top, rear and left side;

FIG. 3 is a front view thereof;

FIG. 4 is a rear view thereof;

FIG. 5 is a left side view thereof;

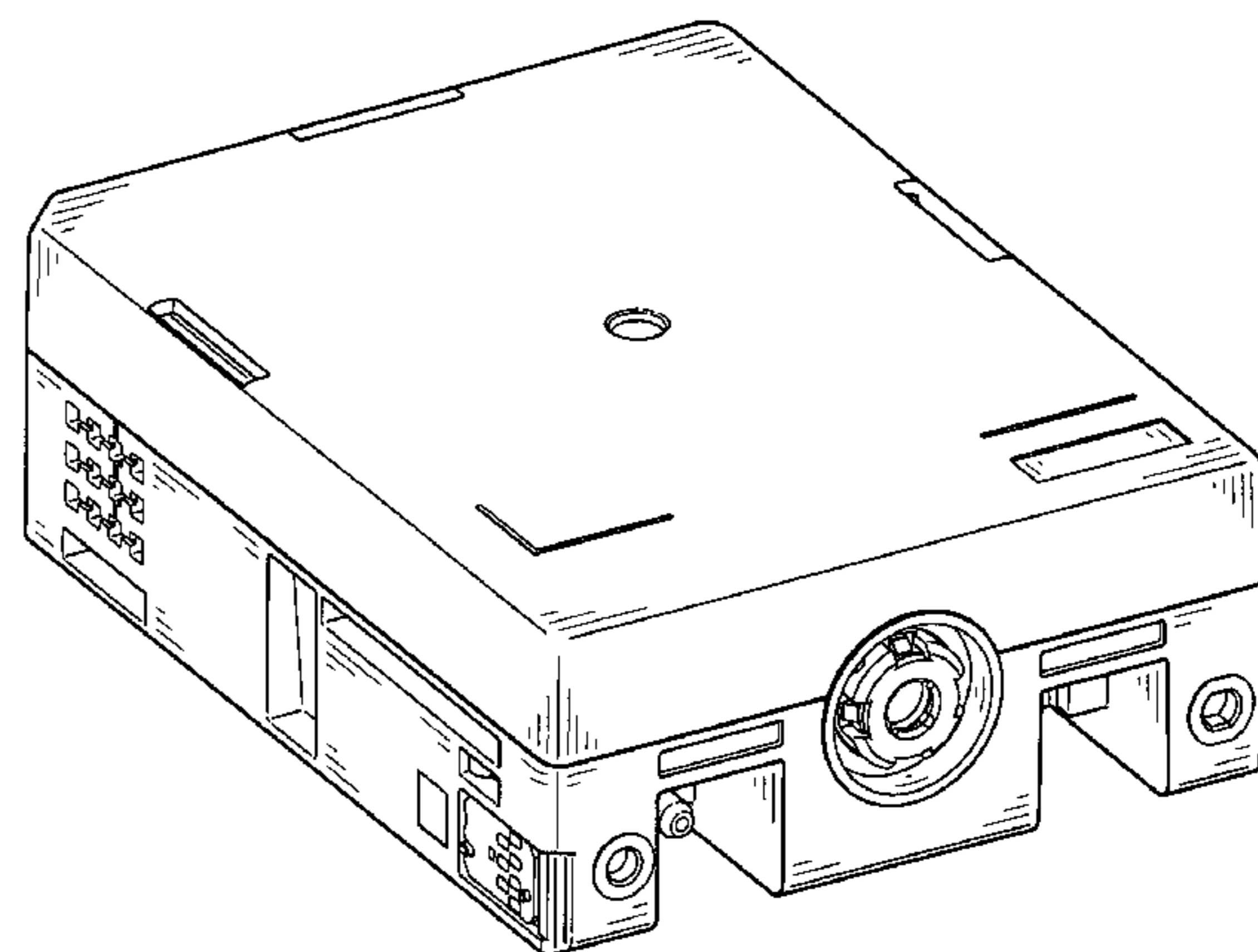
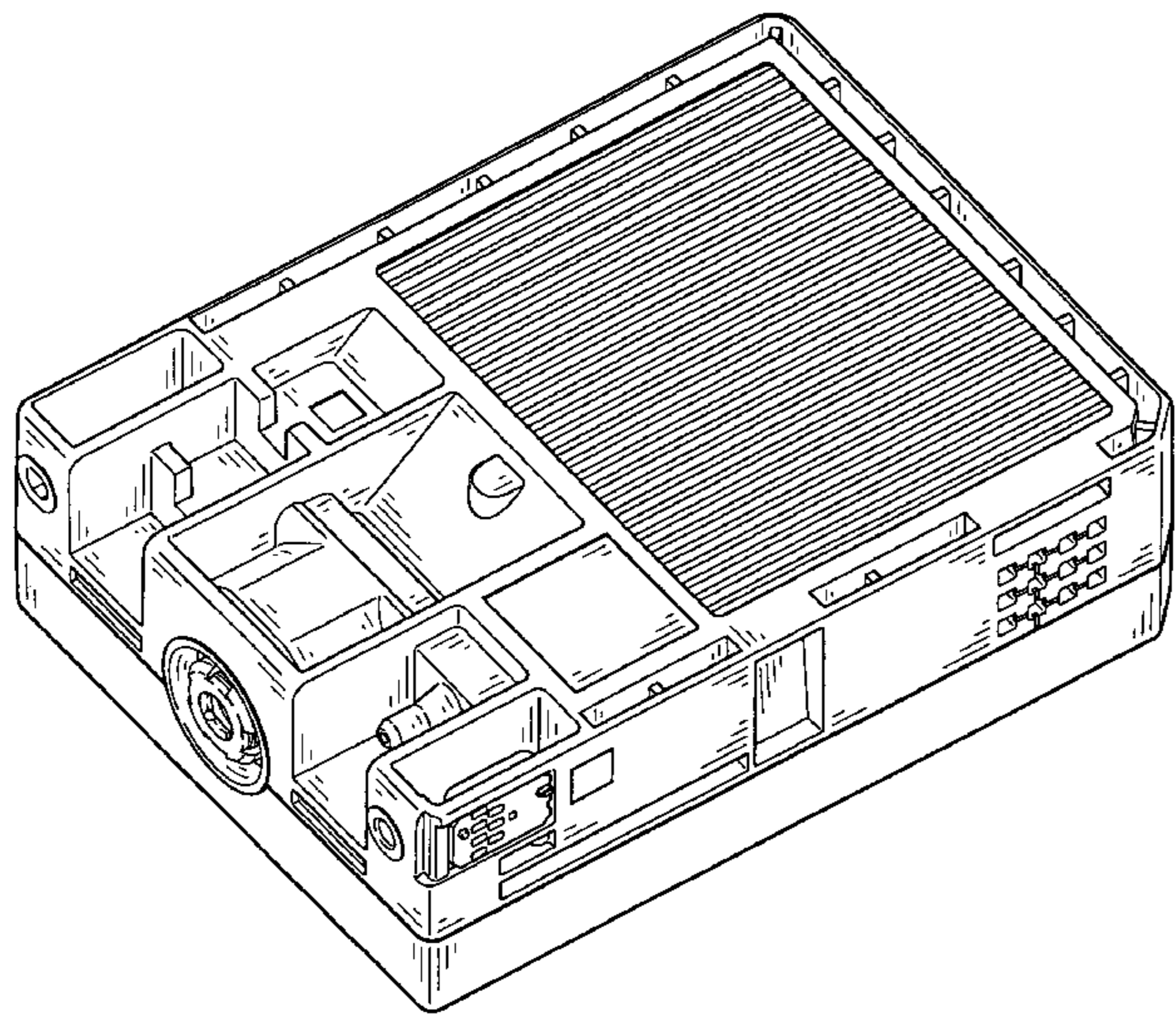
FIG. 6 is a right side view thereof;

FIG. 7 is a top view thereof;

FIG. 8 is a bottom view thereof; and,

FIG. 9 is a perspective view thereof, as viewed from the bottom, rear and right side.

1 Claim, 6 Drawing Sheets



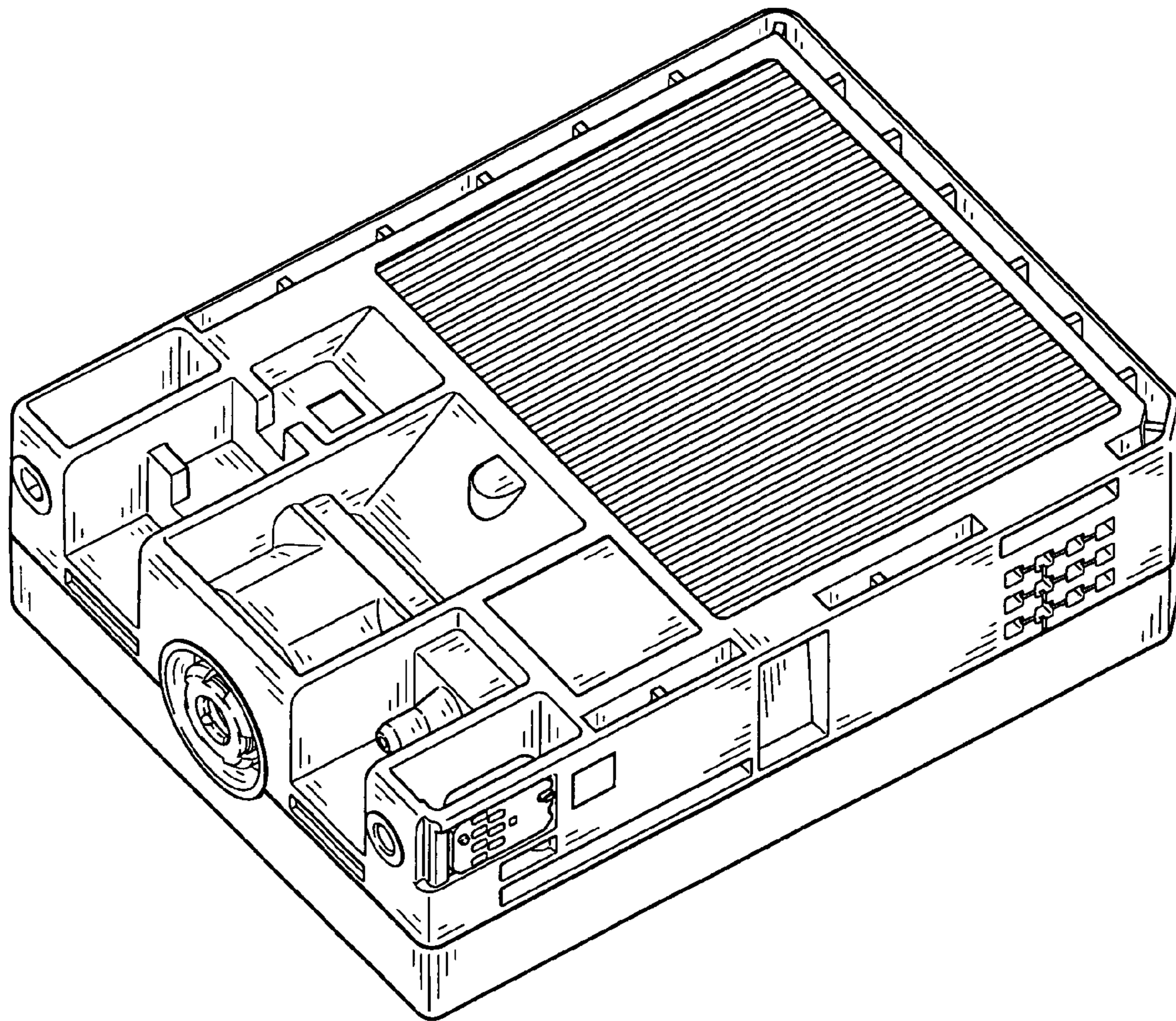


FIG. 1

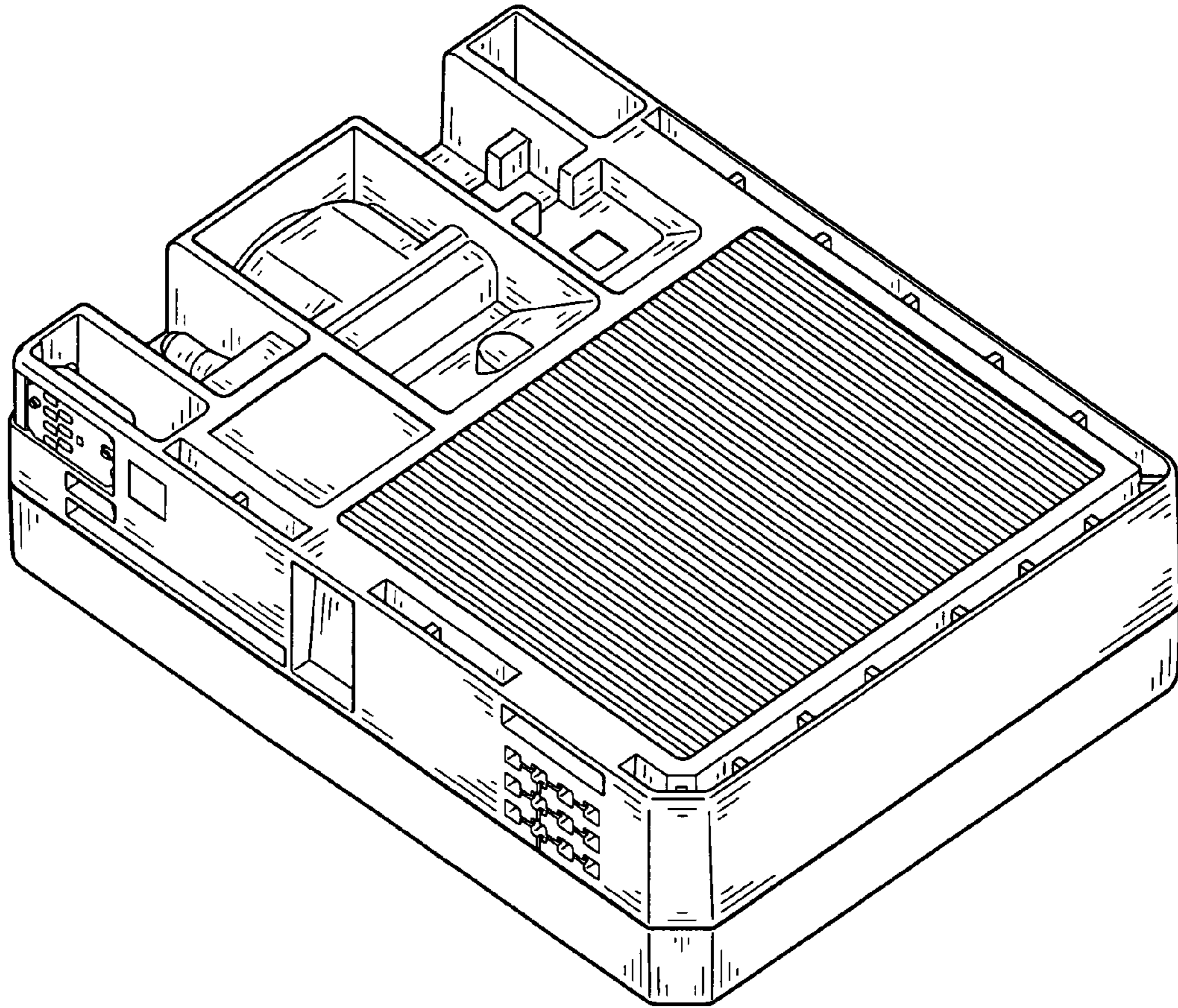


FIG. 2

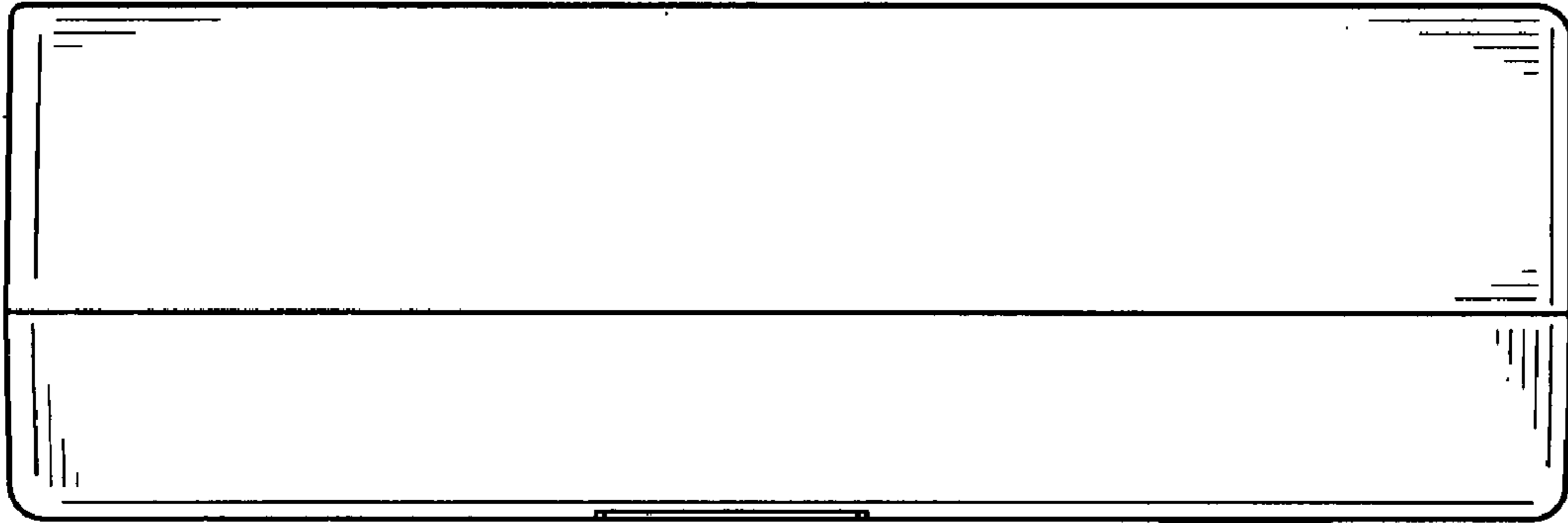


FIG. 3

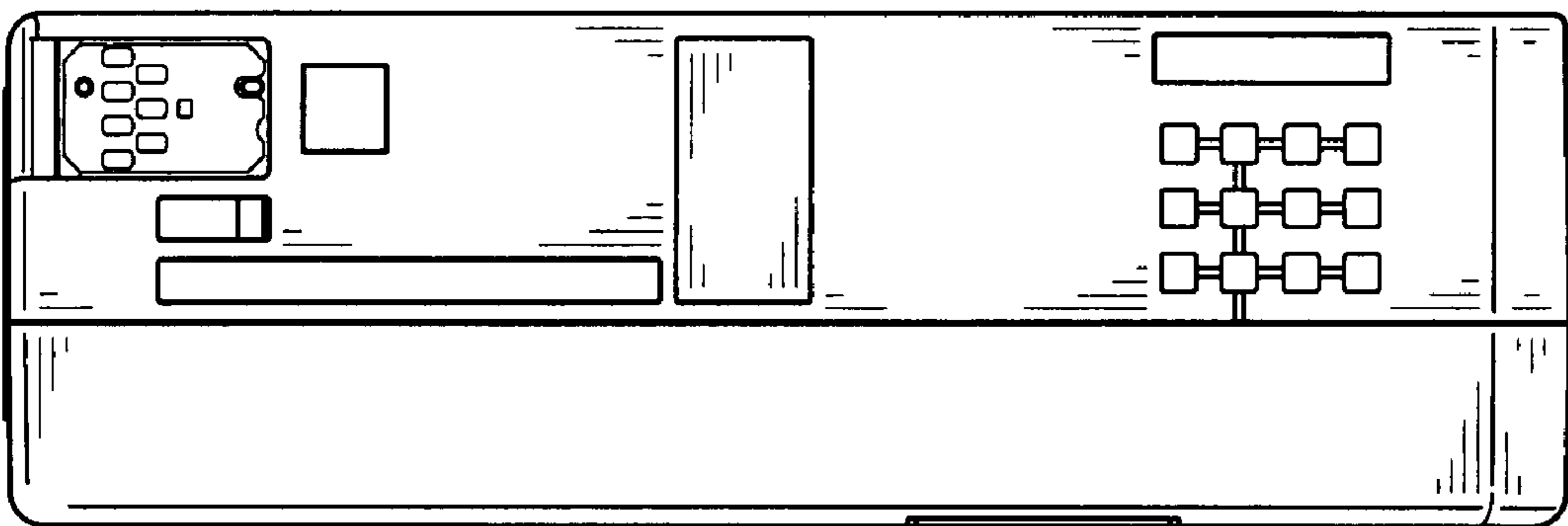


FIG. 4

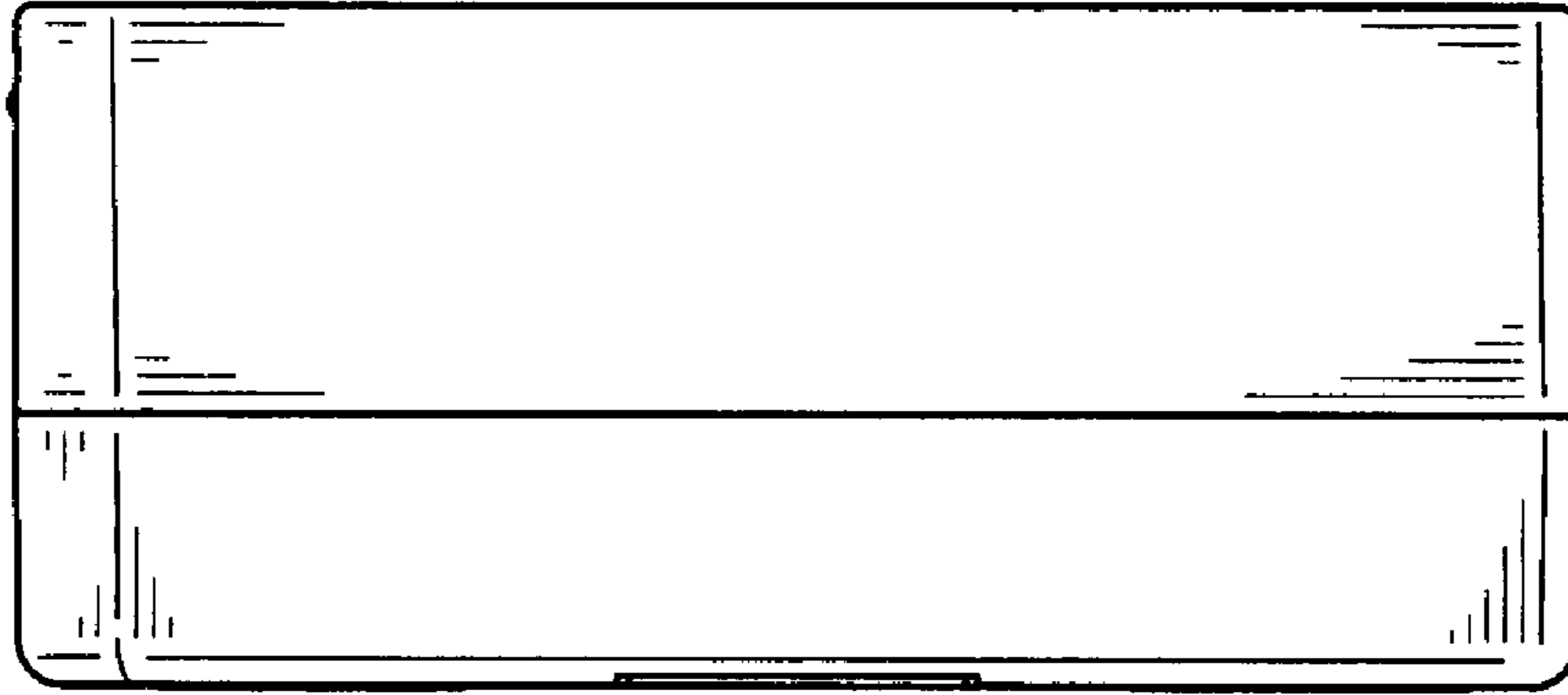


FIG. 5

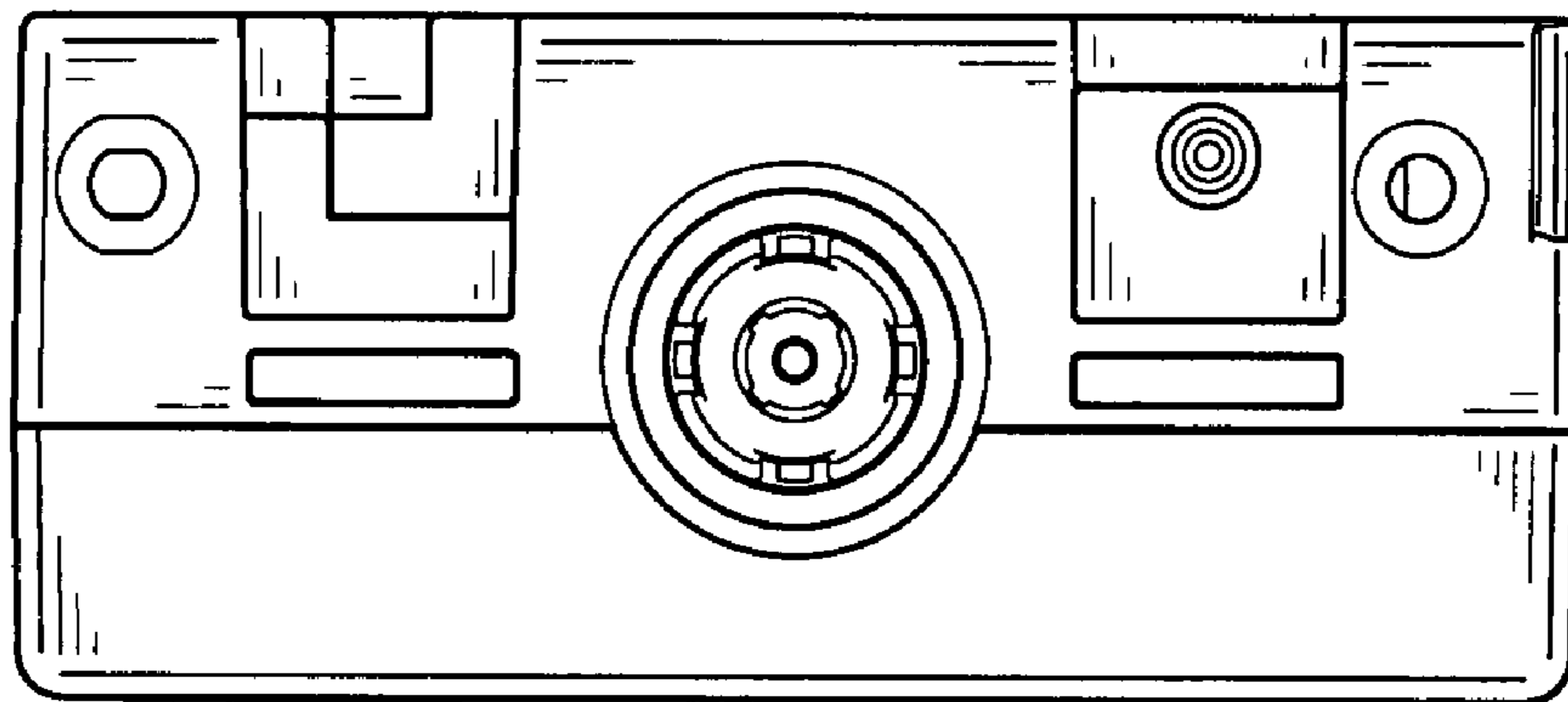


FIG. 6

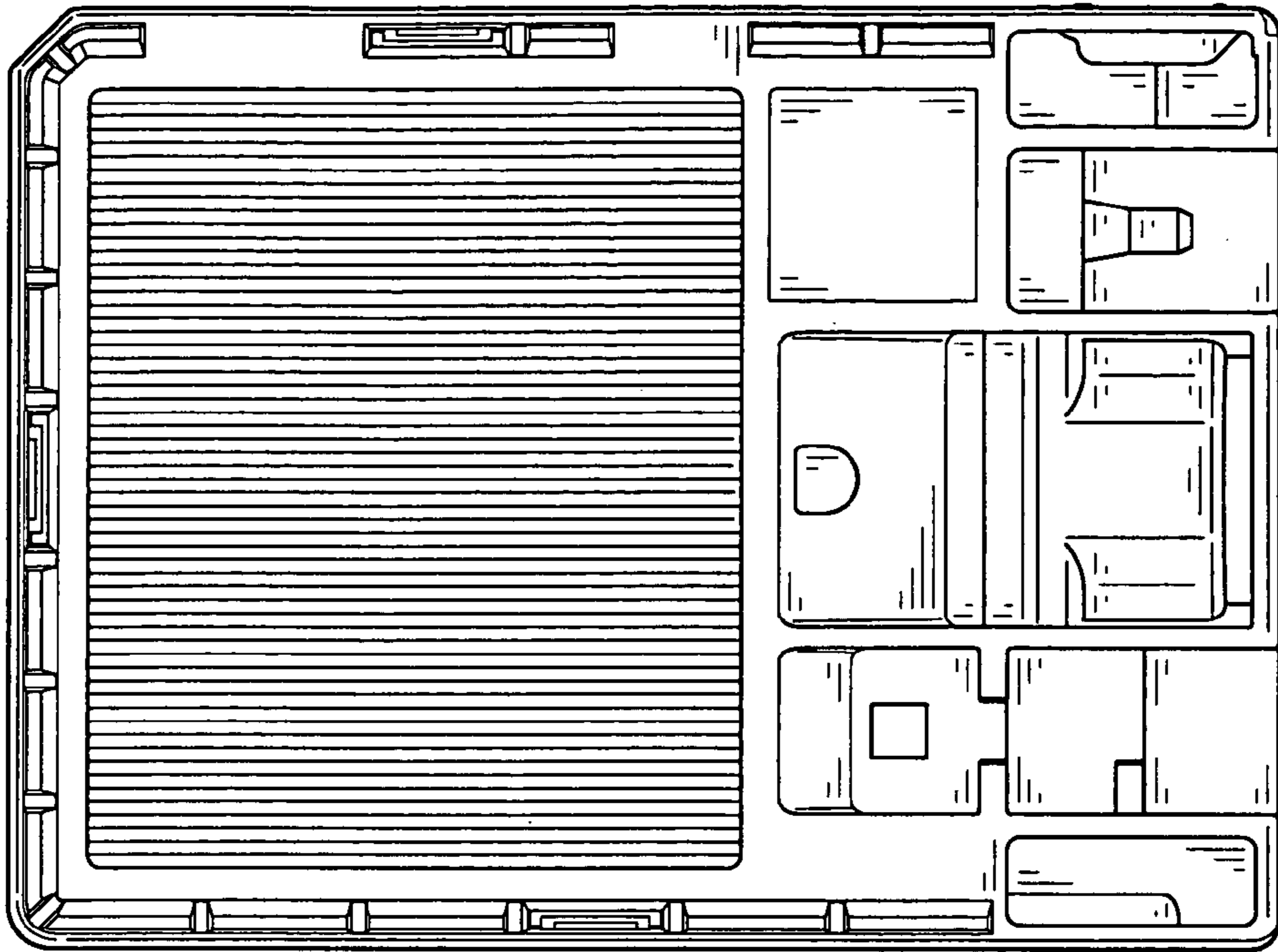


FIG. 7

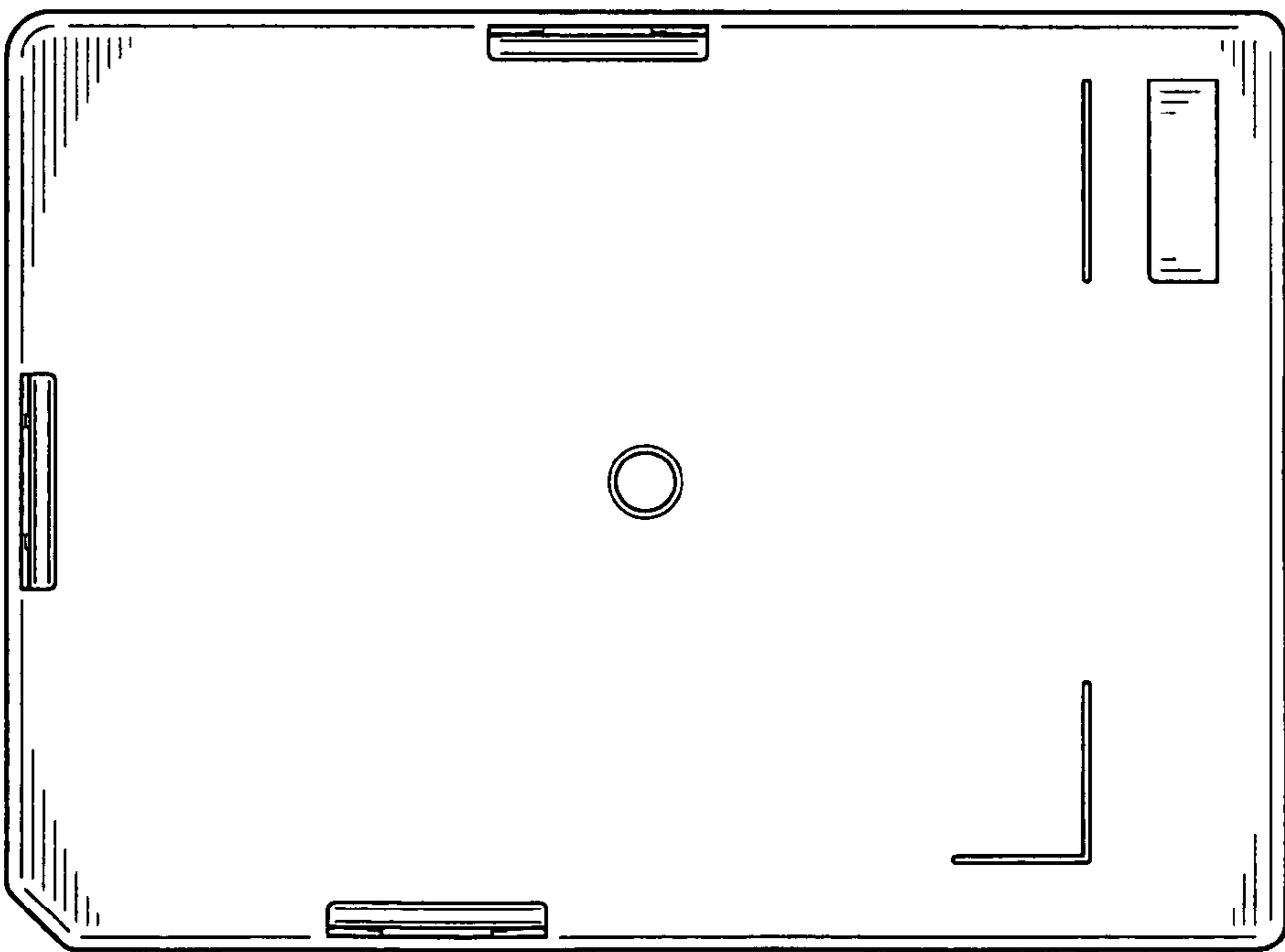


FIG. 8

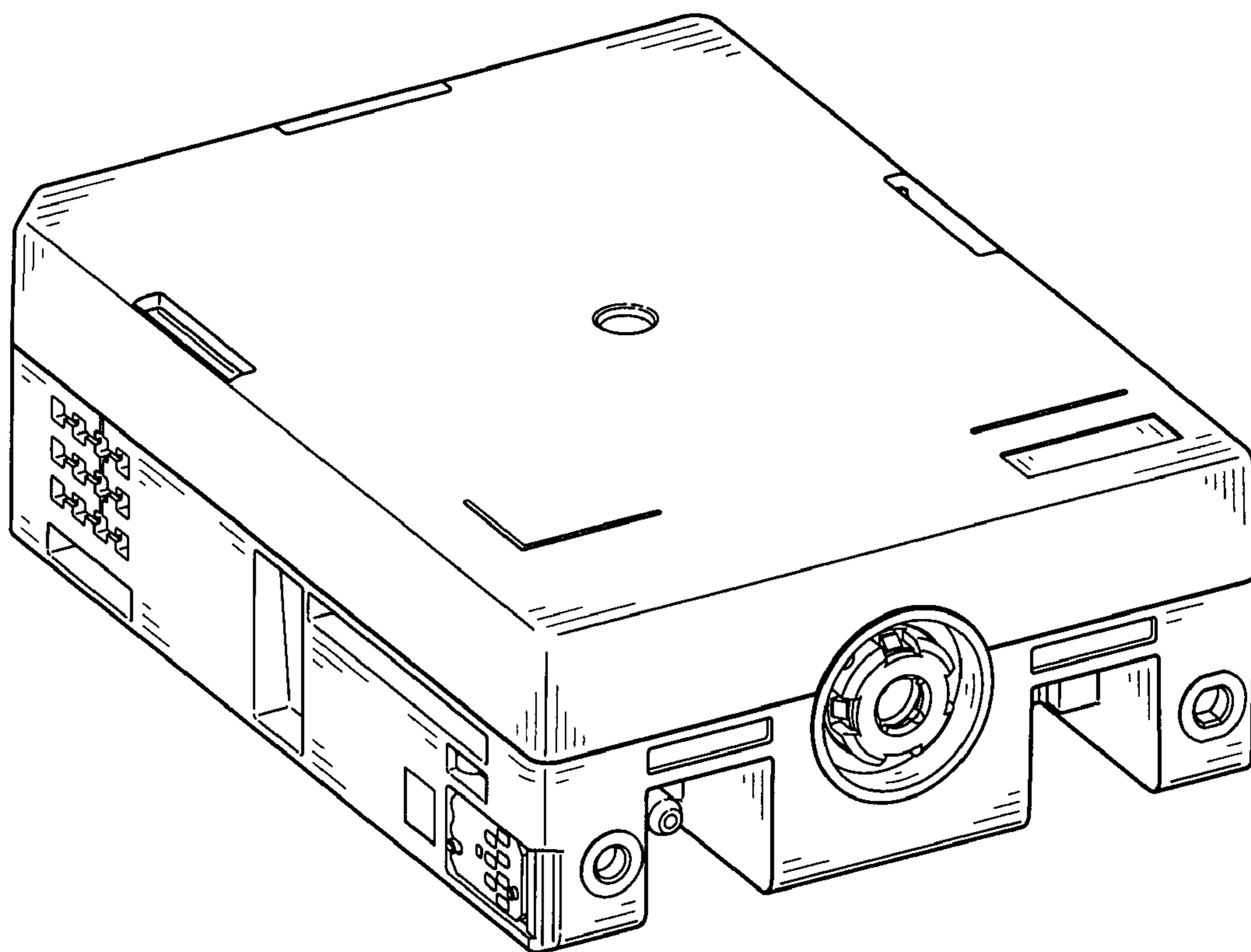


FIG. 9