



US00D569417S

(12) **United States Design Patent**
Asakawa

(10) **Patent No.:** **US D569,417 S**

(45) **Date of Patent:** **** May 20, 2008**

(54) **TONER CARTRIDGE**

2006/0269302 A1* 11/2006 Fujimaru et al. 399/27

(75) Inventor: **Yoshiyuki Asakawa**, Osaka (JP)

* cited by examiner

(73) Assignee: **Kyocera Mita Corporation**, Osaka (JP)

Primary Examiner—Caron D. Veynar
Assistant Examiner—Garth Rademaker

(74) *Attorney, Agent, or Firm*—Global IP Counselors, LLP

(**) Term: **14 Years**

(21) Appl. No.: **29/284,542**

(22) Filed: **Sep. 11, 2007**

(57) **CLAIM**

The ornamental design for a toner cartridge, as shown and described.

(30) **Foreign Application Priority Data**

DESCRIPTION

Mar. 15, 2007 (JP) 2007-006670

(51) **LOC (8) Cl.** **16-03**

(52) **U.S. Cl.** **D18/43**

(58) **Field of Classification Search** D14/471;
D18/12, 36, 40, 43, 44, 56; 222/DIG. 1;
347/197, 222; 399/24–28, 107–112, 119,
399/121, 122, 222–224

See application file for complete search history.

FIG. 1 is a top side perspective view of a toner cartridge in accordance with my new design;

FIG. 2 is a bottom side perspective view of the toner cartridge in accordance with my new design;

FIG. 3 is a top plan view of the toner cartridge in accordance with my new design;

FIG. 4 is a front elevational view of the toner cartridge in accordance with my new design;

FIG. 5 is a left side end elevational view of the toner cartridge in accordance with my new design;

FIG. 6 is a right side end elevational view of the toner cartridge in accordance with my new design;

FIG. 7 is a rear side elevational view of the toner cartridge in accordance with my new design;

FIG. 8 is a bottom plan view of the toner cartridge in accordance with my new design; and,

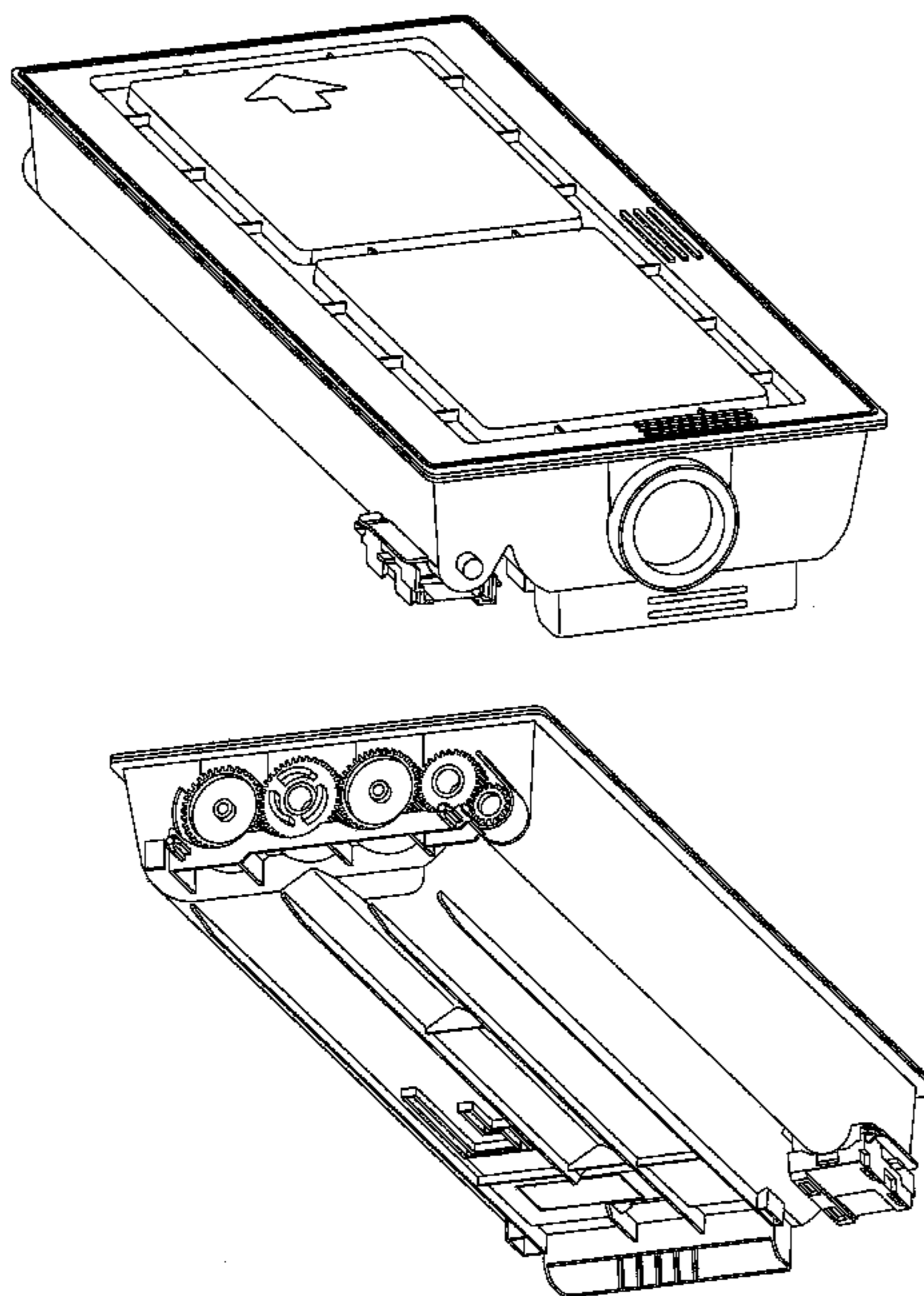
FIG. 9 is a cross-sectional view of the toner cartridge, shown with the internal elements removed, taken along line 9—9 of FIG. 3 in accordance with my new design.

(56) **References Cited**

U.S. PATENT DOCUMENTS

- D362,677 S * 9/1995 Ishibashi et al. D18/43
- D378,829 S * 4/1997 Aoyama et al. D18/40
- 6,950,617 B2 * 9/2005 Weiler 399/109
- D524,848 S * 7/2006 Murata D18/43
- 7,076,188 B2 * 7/2006 Askren et al. 399/119
- D529,541 S * 10/2006 Kawai D18/43
- 7,277,659 B2 * 10/2007 Kobayashi et al. 399/106
- D559,894 S * 1/2008 Sato D18/43
- D559,895 S * 1/2008 Sato D18/43
- 2001/0043814 A1 * 11/2001 Abe 399/27
- 2005/0047825 A1 * 3/2005 Nakano et al. 399/119
- 2005/0265748 A1 * 12/2005 Noh 399/119

1 Claim, 7 Drawing Sheets



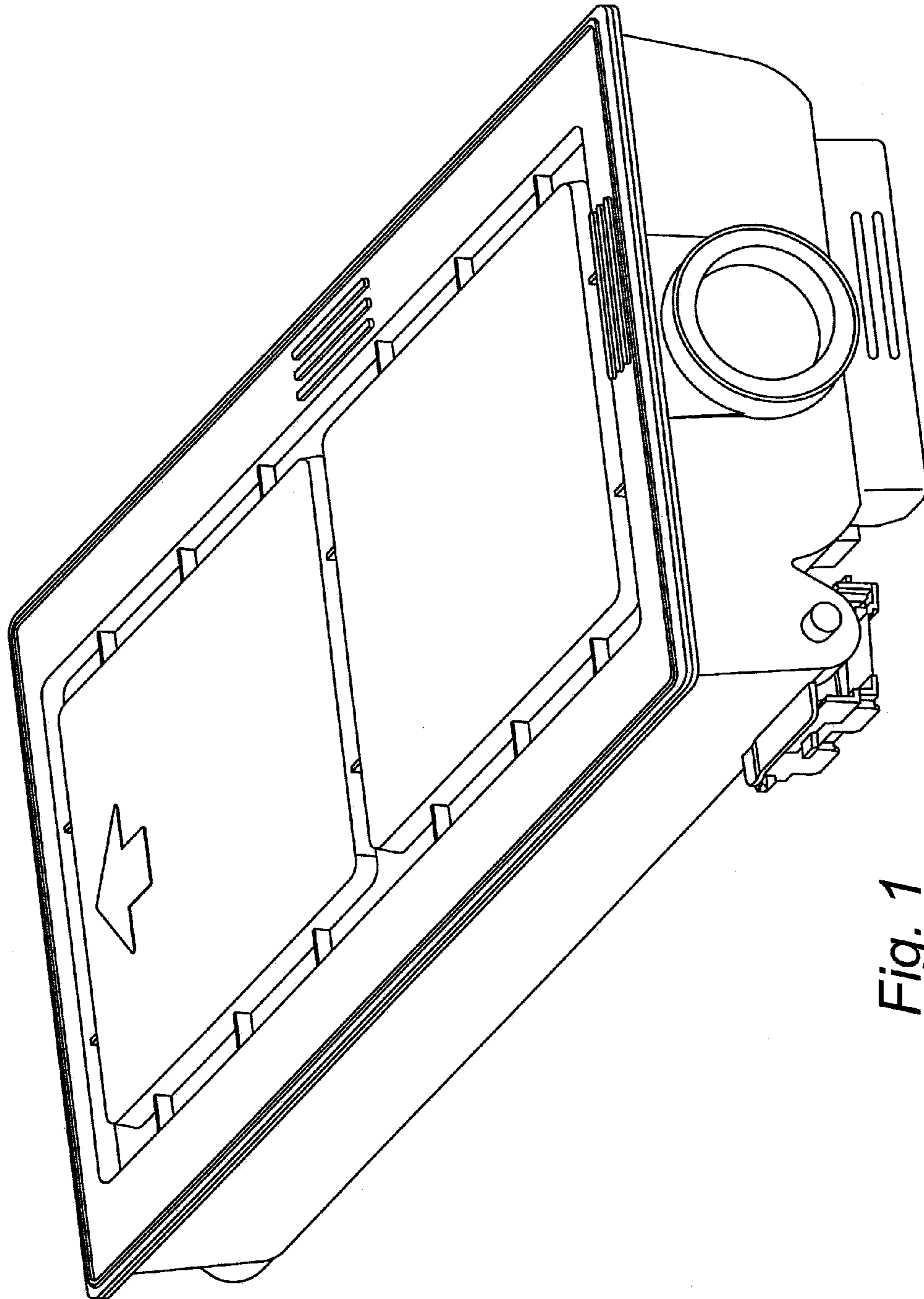


Fig. 1

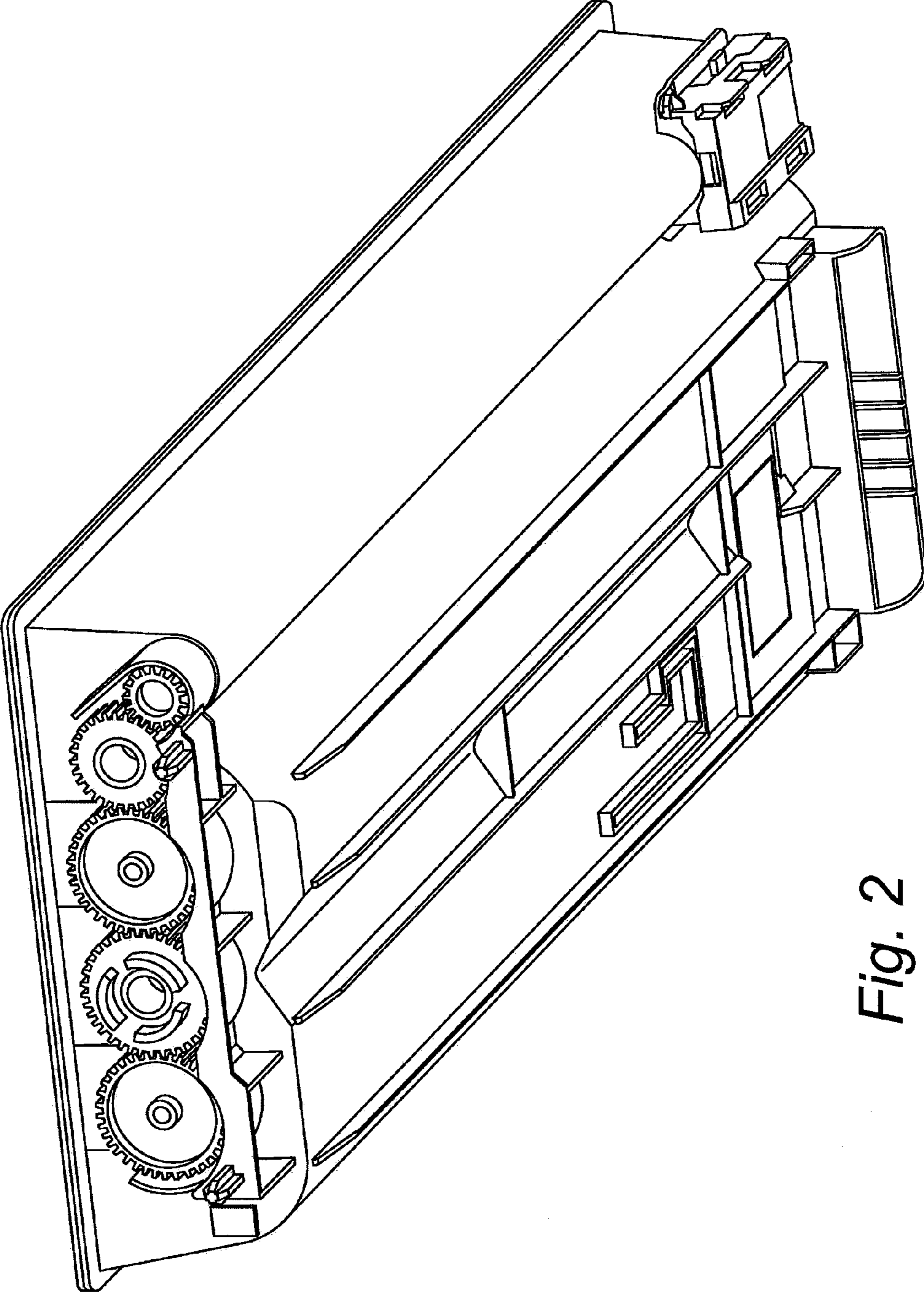


Fig. 2

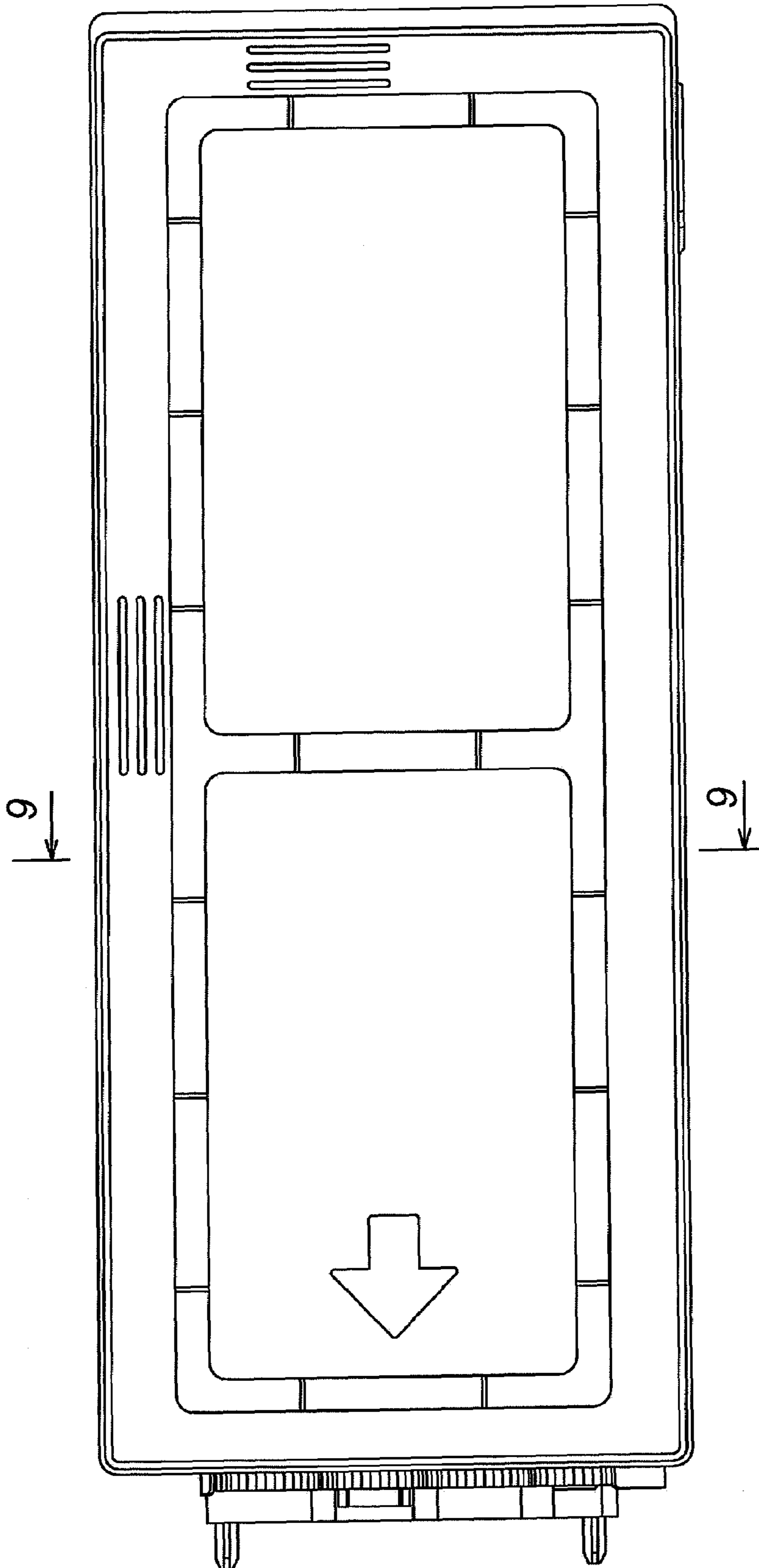


Fig. 3

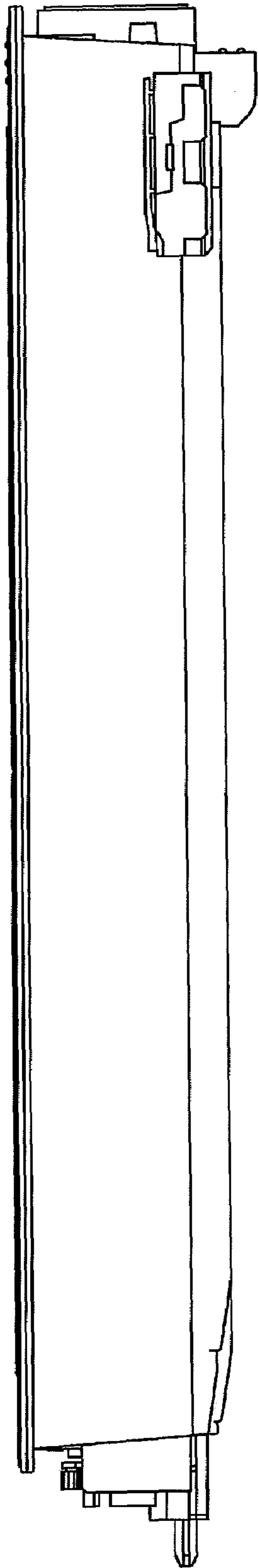


Fig. 4

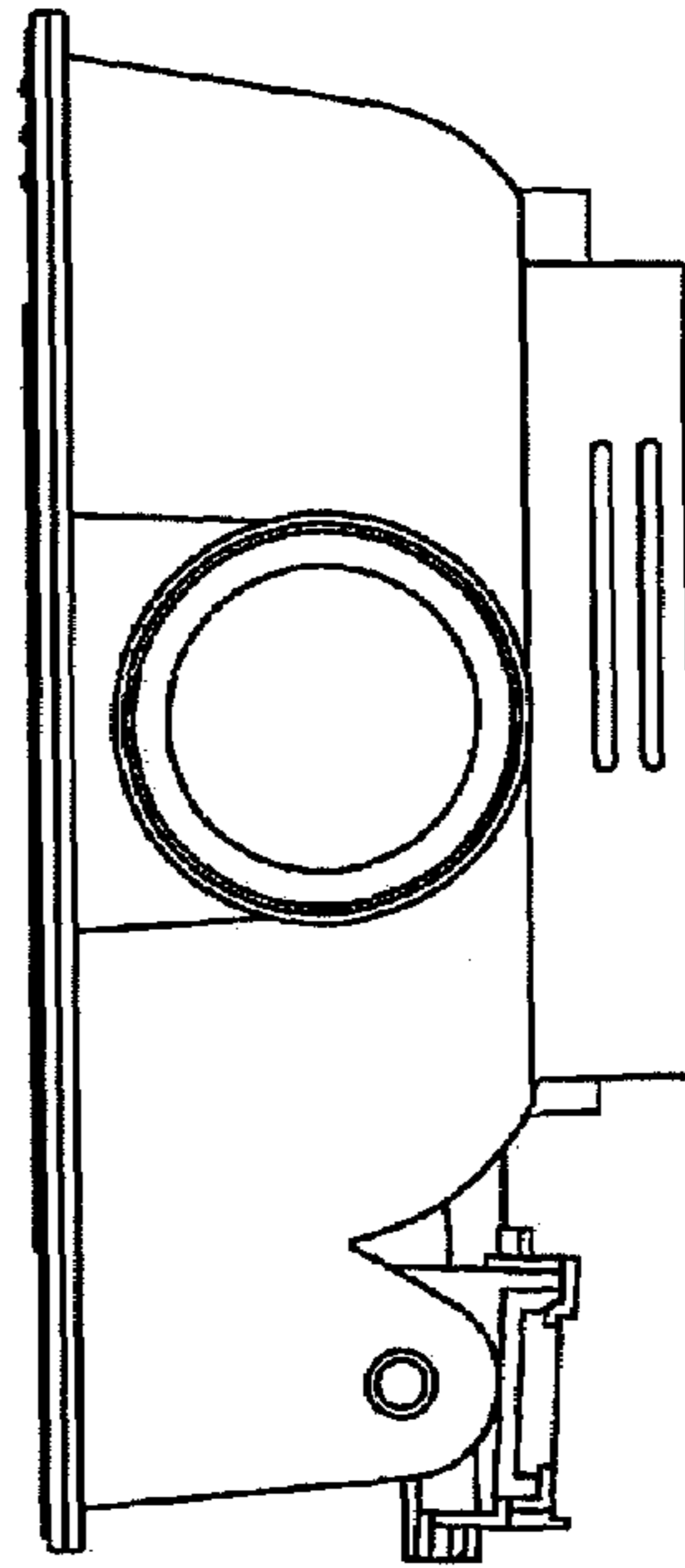


Fig. 6

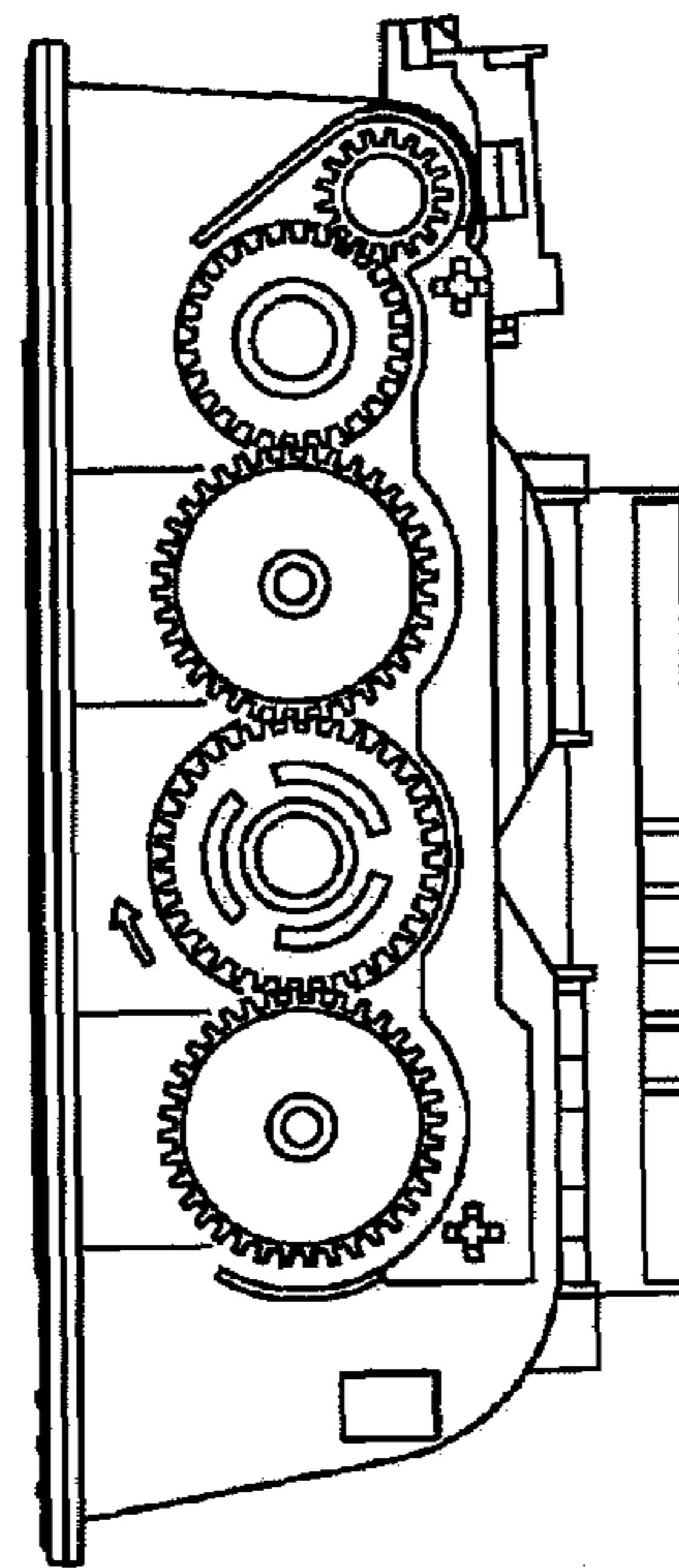


Fig. 5

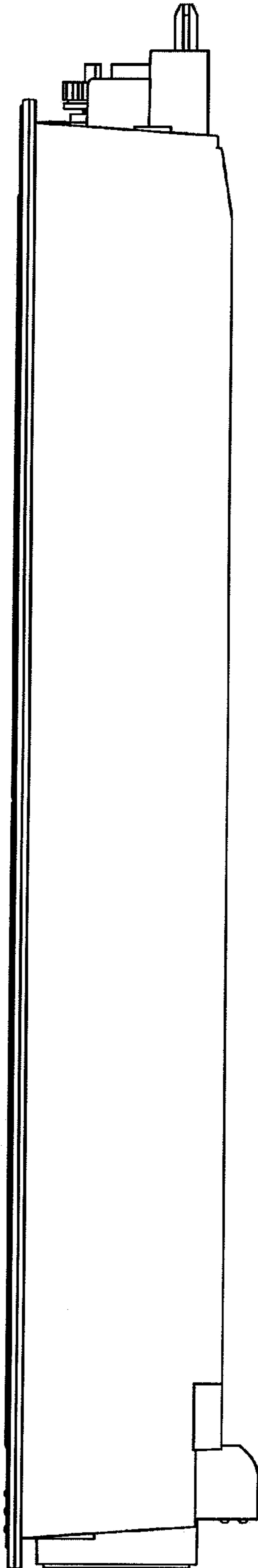


Fig. 7

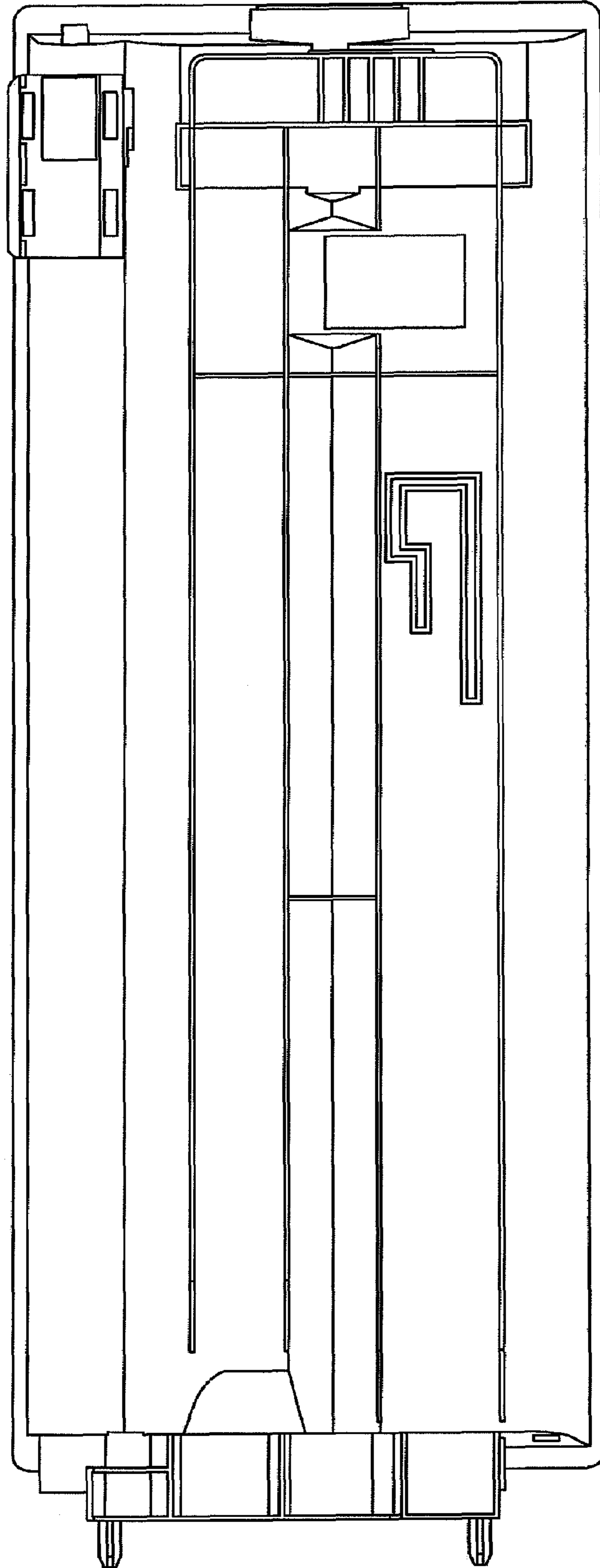


Fig. 8

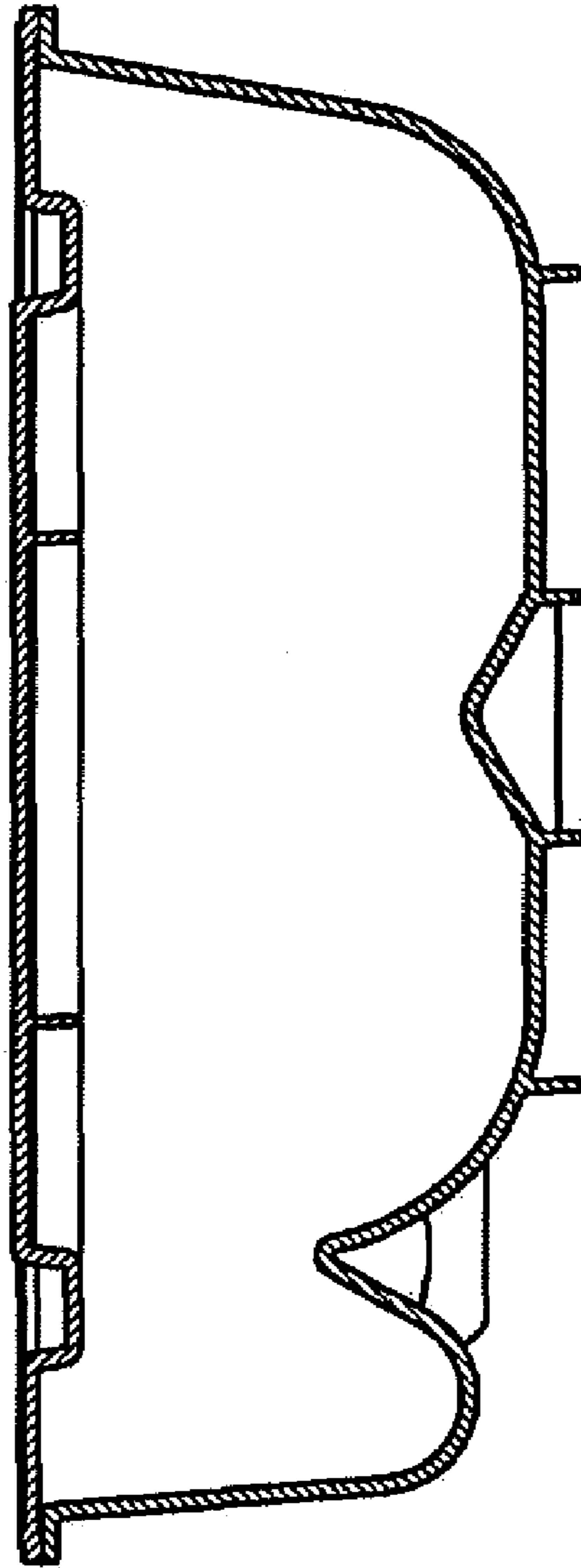


Fig. 9