



US00D569416S

(12) **United States Design Patent** (10) **Patent No.:** **US D569,416 S**
Ayala (45) **Date of Patent:** **** May 20, 2008**

(54) **PAPER TRIMMER BLADE HANDLE**

(75) Inventor: **Gerry Ayala**, Provo, UT (US)

(73) Assignee: **Provo Craft and Novelty, Inc.**, Spanish, Fork, UT (US)

(**) Term: **14 Years**

(21) Appl. No.: **29/262,351**

(22) Filed: **Jun. 29, 2006**

(51) **LOC (8) Cl.** **18-04**

(52) **U.S. Cl.** **D18/34.9**

(58) **Field of Classification Search** D18/34.3, D18/34.7, 34.8, 34.9; 83/167, 745, 544, 83/565, 614, 321, 322, 334, 674, 927; 30/151, 30/292, 294, 319; D10/64, 65

See application file for complete search history.

(56) **References Cited**

U.S. PATENT DOCUMENTS

318,556 A	5/1885	French
442,414 A	12/1890	Blanchard
491,307 A	2/1893	Gaylord
802,720 A	10/1905	Weber
802,721 A	10/1905	Weber
821,299 A	5/1906	Lavoie
821,681 A	5/1906	Vandemark et al.
1,075,050 A	10/1913	Mihills
2,327,223 A	8/1943	Silver
2,345,450 A	3/1944	Blanc
2,672,933 A	3/1954	Bridy
2,790,498 A	4/1957	Carscallen
3,237,497 A	3/1966	Cook
3,301,117 A	1/1967	Spaulding
3,527,131 A	9/1970	Ellerin et al.
3,648,557 A	3/1972	Lind
3,973,459 A	8/1976	Stowe
4,957,235 A	9/1990	Beno et al.
4,967,628 A	11/1990	Judd et al.
D319,255 S	8/1991	Beno et al.
D319,840 S	9/1991	Hatsumi et al.
5,069,097 A	12/1991	Mori
D322,974 S	1/1992	Mori

5,322,001 A	6/1994	Boda
D353,150 S	12/1994	Mori
5,398,576 A *	3/1995	Chiu 83/614
D360,891 S	8/1995	Birkholz
D360,892 S	8/1995	Birkholz et al.
5,524,515 A	6/1996	Boda
D377,368 S	1/1997	Rellinger
D379,193 S	5/1997	Cornell
D381,359 S	7/1997	Mori
D387,377 S	12/1997	Daley
5,802,942 A	9/1998	Cornell et al.
5,815,929 A *	10/1998	Ojea 30/294
5,819,618 A	10/1998	Rodriguez
D412,931 S	8/1999	Chan et al.
D415,404 S	10/1999	Seaton
D417,693 S	12/1999	Daley, Jr.
D425,548 S	5/2000	Rellinger
D427,626 S	7/2000	Robillard

(Continued)

Primary Examiner—Charles A. Rademaker

(74) *Attorney, Agent, or Firm*—Honigman Miller Schwartz and Cohn LLP

(57) **CLAIM**

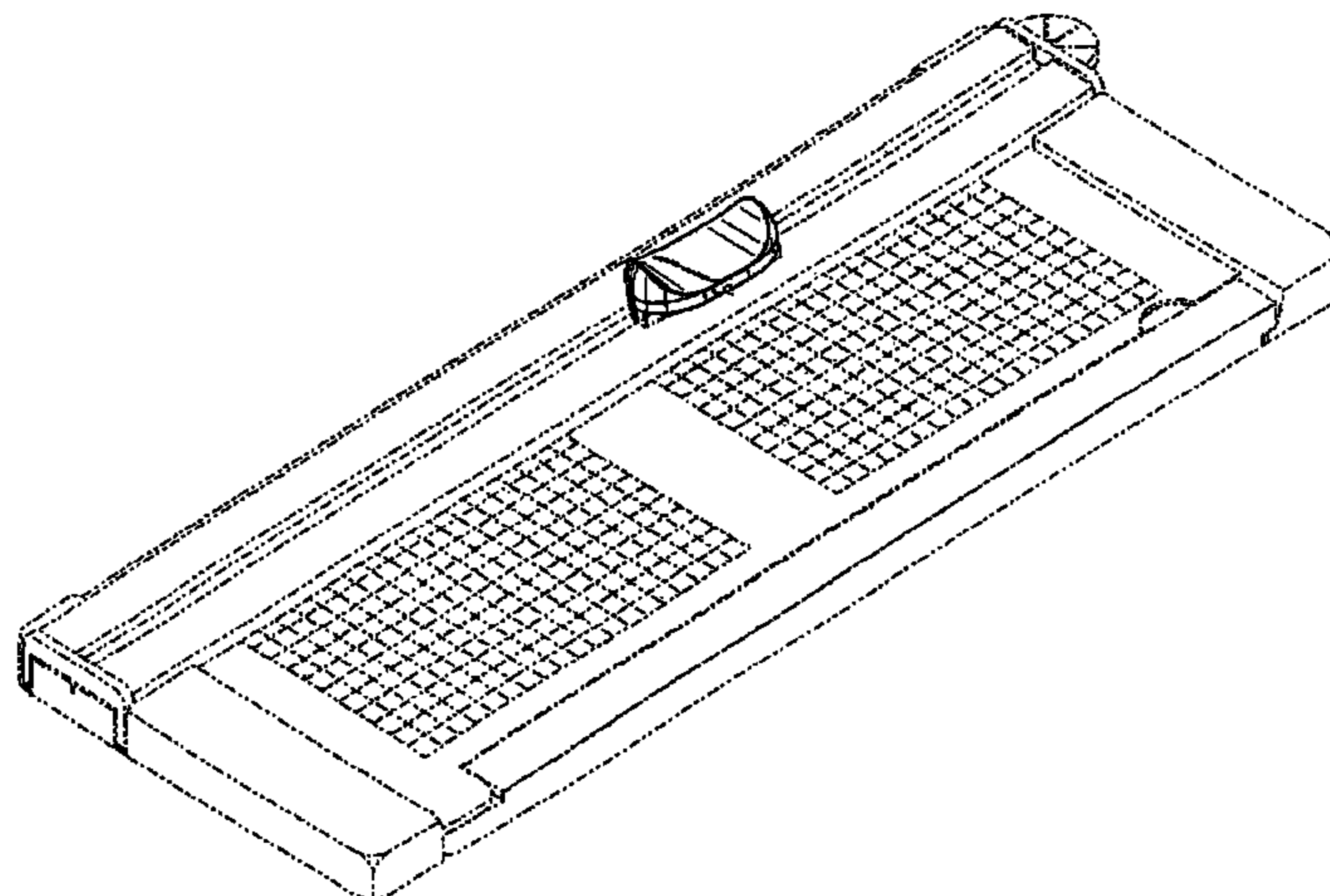
The ornamental design for a paper trimmer blade handle, as shown and described.

DESCRIPTION

FIG. 1 is a top perspective view of a paper trimmer blade handle showing my new design;
 FIG. 2 is a top plan view thereof shown on an enlarged scale;
 FIG. 3 is a bottom plan view thereof;
 FIG. 4 is a front elevation view thereof;
 FIG. 5 is a rear elevation thereof;
 FIG. 6 is a right end elevation thereof; and,
 FIG. 7 is a left end elevation thereof.

The broken lines shown in the drawings are included for the purpose of illustrating environmental structures and form no part of the claimed design.

1 Claim, 2 Drawing Sheets



US D569,416 S

Page 2

U.S. PATENT DOCUMENTS

6,098,515 A	8/2000	Daley	D528,590 S *	9/2006	Bathard et al.	D18/34.8
6,460,443 B1	10/2002	Hsiao	D529,540 S *	10/2006	Nakamura	D18/34.9
D469,461 S	1/2003	Gstalder	D531,204 S *	10/2006	Nakamura	D18/34.8
D469,800 S	2/2003	Robillard	D535,685 S *	1/2007	Gunter et al.	D18/34.9
6,675,689 B2 *	1/2004	Nunez et al.	2003/0140757 A1	7/2003	Carlson et al.	
D501,500 S *	2/2005	Schultz et al.	2003/0140761 A1	7/2003	Schulz	
D503,191 S	3/2005	Mori et al.	2004/0149108 A1	8/2004	McLean et al.	
6,951,159 B2	10/2005	Lin et al.	2004/0221705 A1	11/2004	Vossler	

* cited by examiner

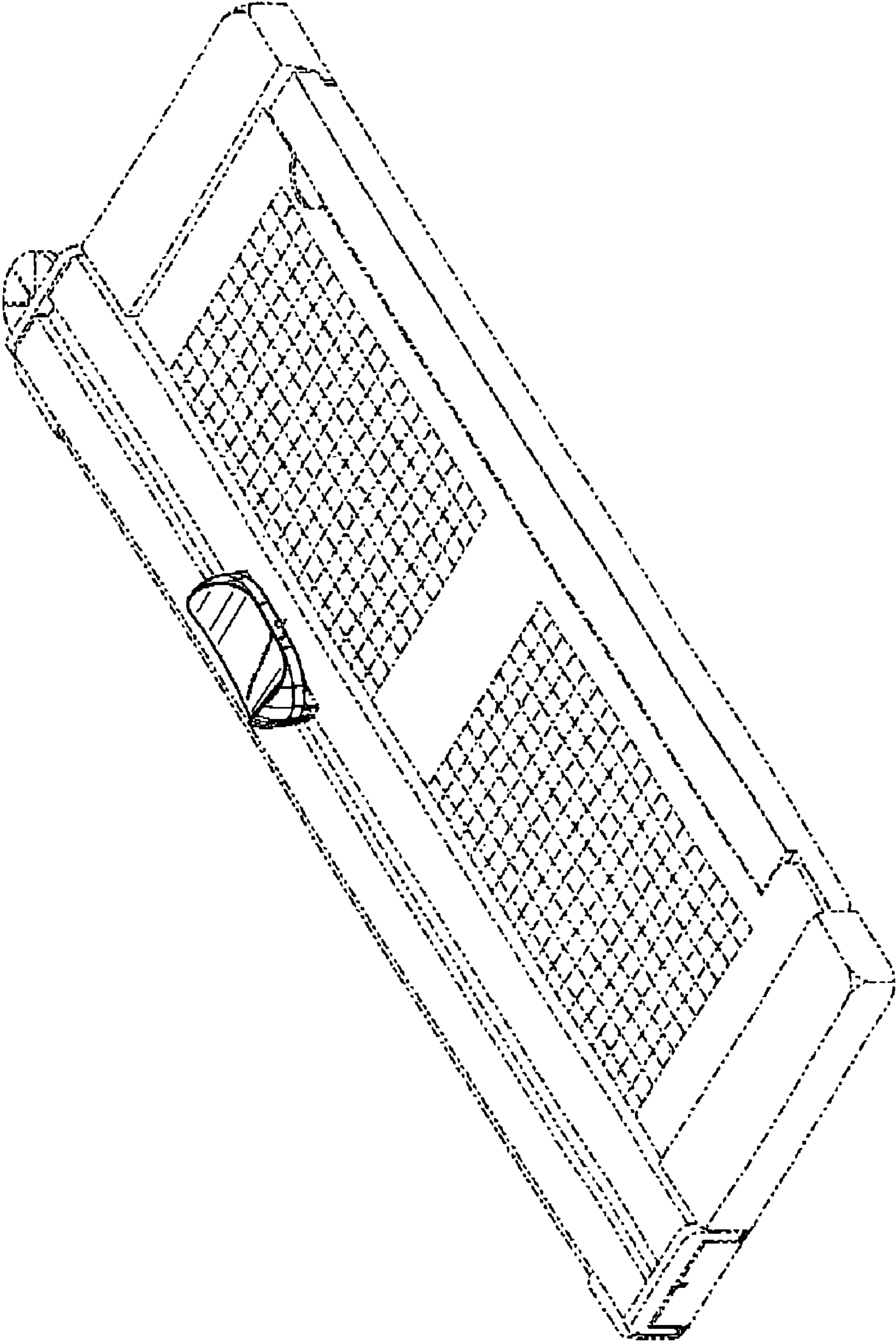


FIG. 1

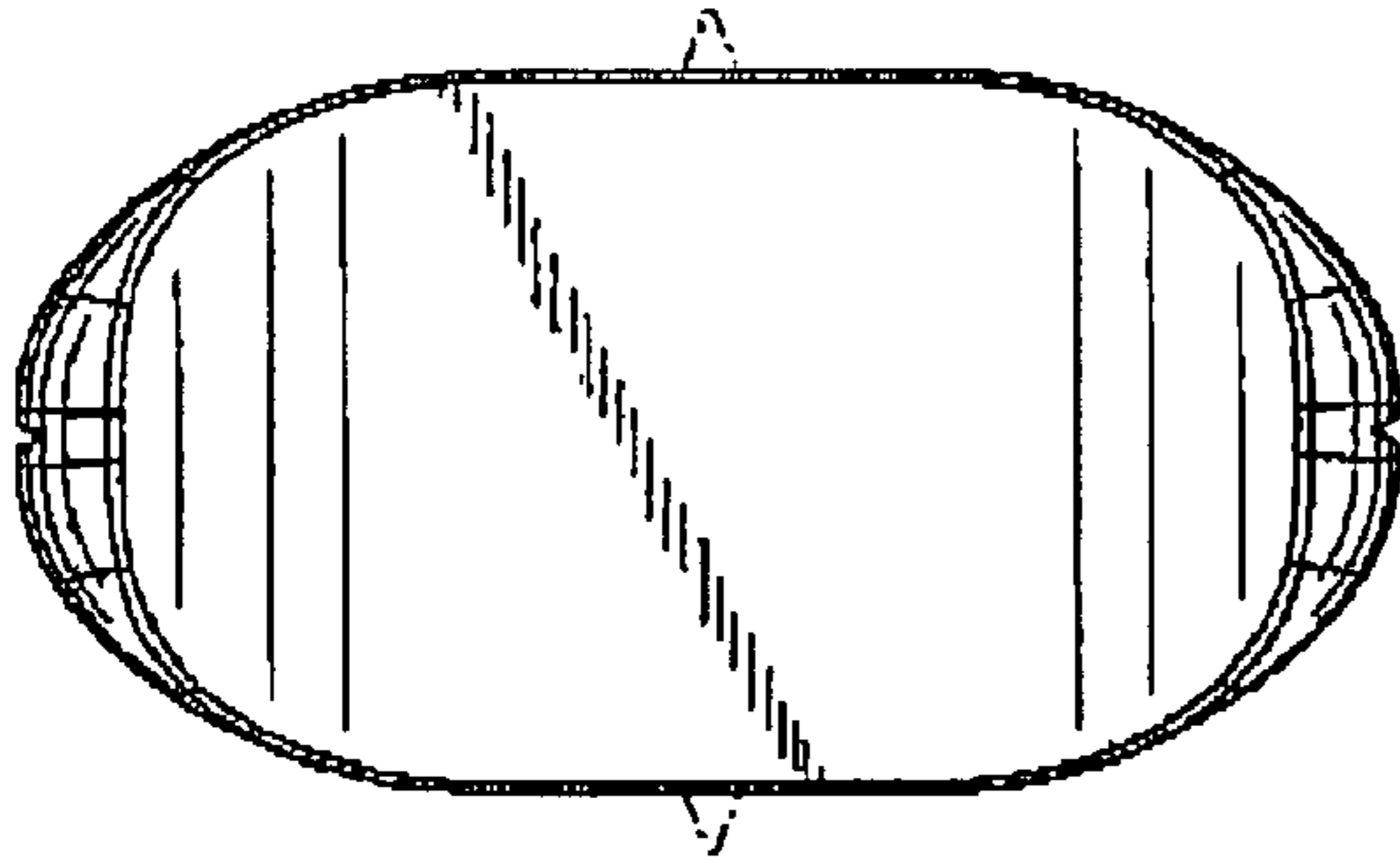


FIG. 2

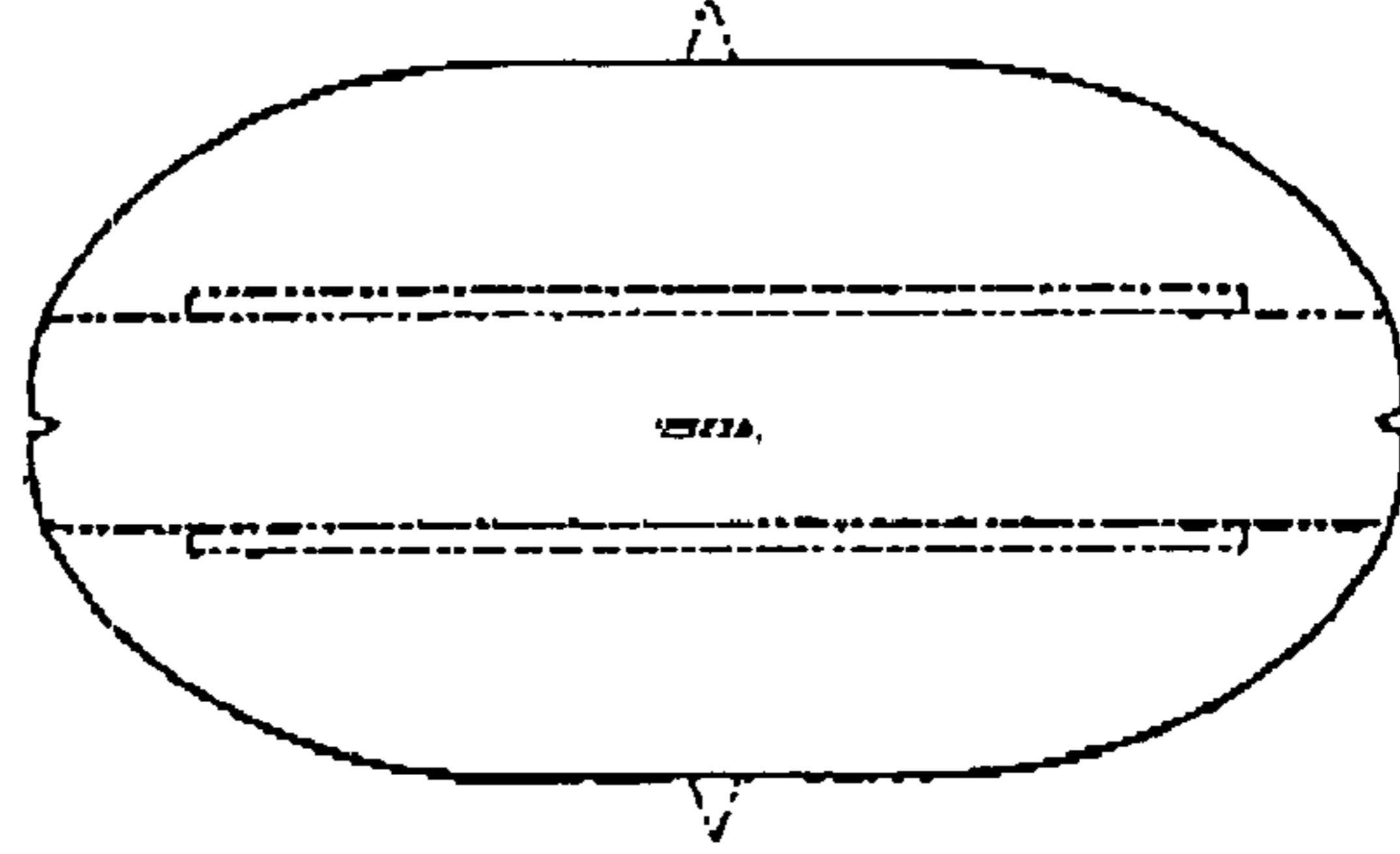


FIG. 3



FIG. 4

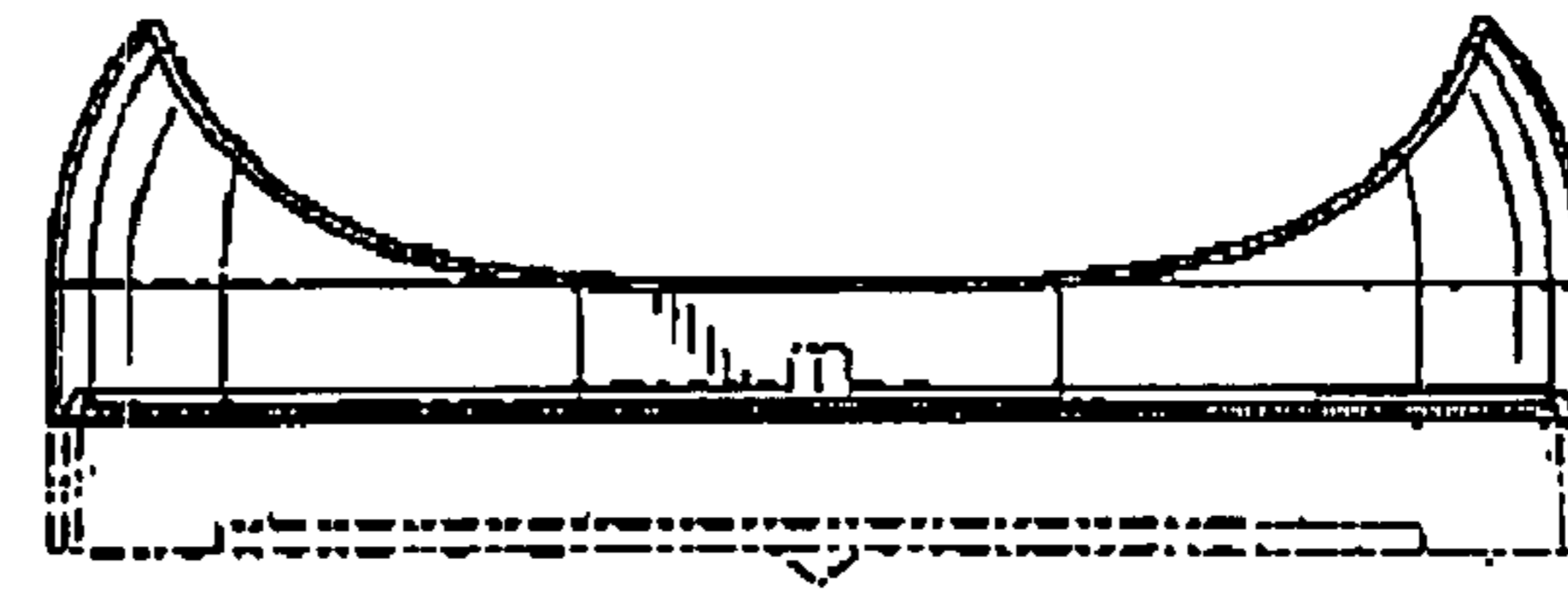


FIG. 5

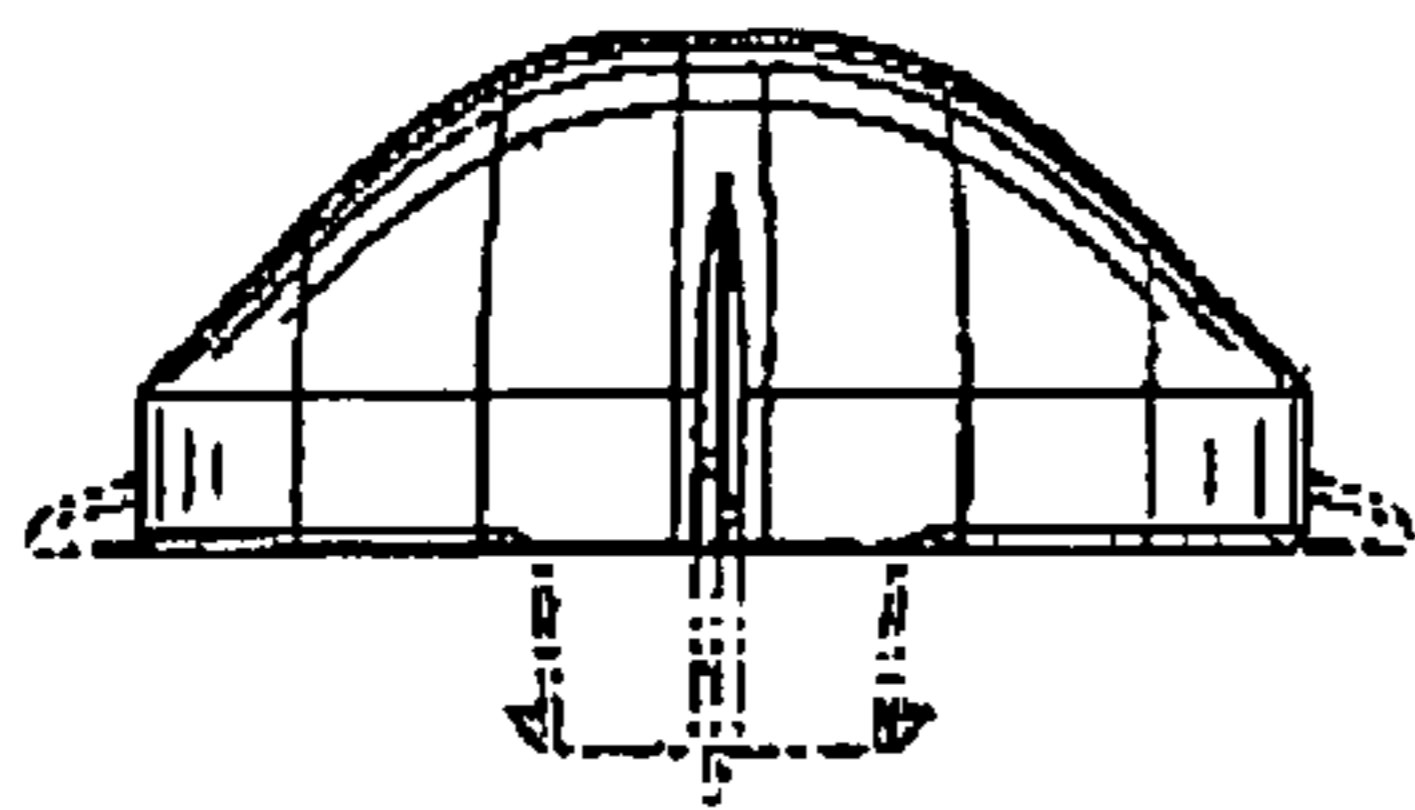


FIG. 6

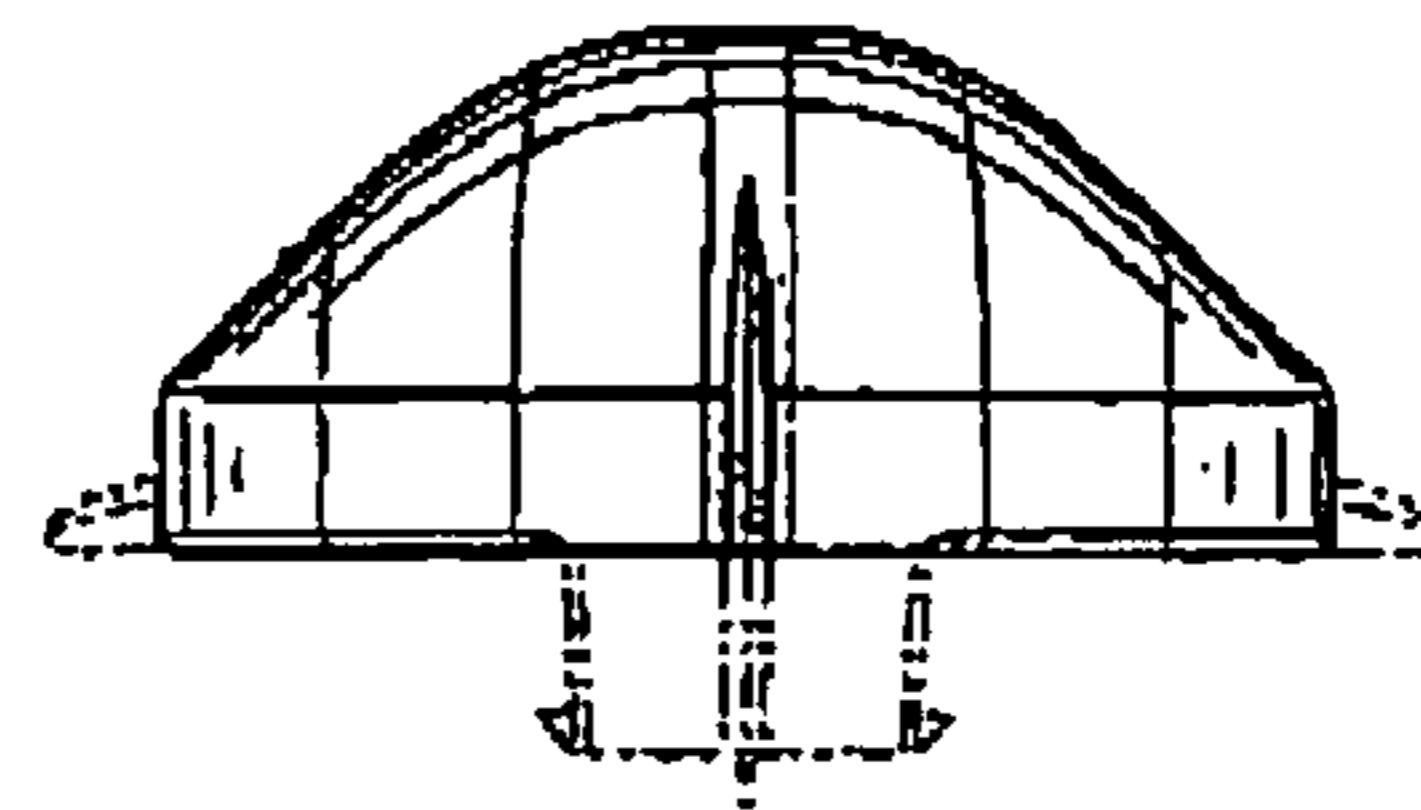


FIG. 7