



US00D569413S

(12) **United States Design Patent**  
**Wong**

(10) **Patent No.:** **US D569,413 S**

(45) **Date of Patent:** **\*\* May 20, 2008**

(54) **GOGGLES**

(75) Inventor: **Peng Soon Wong**, Selangor (MY)

(73) Assignee: **Unip Plastic Industries Sendirian Berhad**, Selangor (MY)

(\*\*) Term: **14 Years**

(21) Appl. No.: **29/287,101**

(22) Filed: **Jun. 27, 2007**

(51) **LOC (8) Cl.** ..... **16-06**

(52) **U.S. Cl.** ..... **D16/314; D16/337**

(58) **Field of Classification Search** ..... D16/300-330,  
D16/101, 332-338; D29/109-110; D24/110.2;  
351/41, 44, 51-52, 62, 158, 92, 103-111,  
351/156, 61, 114-119, 121-123; 2/426-432,  
2/447-449, 441, 436, 434-437

See application file for complete search history.

(56) **References Cited**

**U.S. PATENT DOCUMENTS**

4,654,714	A *	3/1987	Hurst et al.	.....	348/247
D294,833	S *	3/1988	Holden	.....	D16/314
D308,980	S *	7/1990	McGee	.....	D16/314
D323,335	S *	1/1992	Dalloz	.....	D16/314
5,146,623	A *	9/1992	Paysan et al.	.....	2/432
D334,758	S *	4/1993	Reymondet et al.	.....	D16/320
5,627,611	A *	5/1997	Scheiner	.....	351/158
D383,148	S *	9/1997	Wang Lee	.....	D16/314

D407,737	S *	4/1999	Hewitt	.....	D16/327
D420,378	S *	2/2000	Wu	.....	D16/321
D480,412	S *	10/2003	Yamamoto	.....	D16/314
2005/0015864	A1 *	1/2005	Chen	.....	2/449

\* cited by examiner

*Primary Examiner*—Raphael Barkai

(74) *Attorney, Agent, or Firm*—Bacon & Thomas, PLLC

(57) **CLAIM**

The ornamental design for goggles, as shown and described.

**DESCRIPTION**

FIG. 1 is an upper left perspective view of my design for goggles;

FIG. 2 is an upper right rear perspective view of the goggles shown in FIG. 1, with the goggles folded;

FIG. 3 is a front elevation view of the goggles shown in FIG. 1;

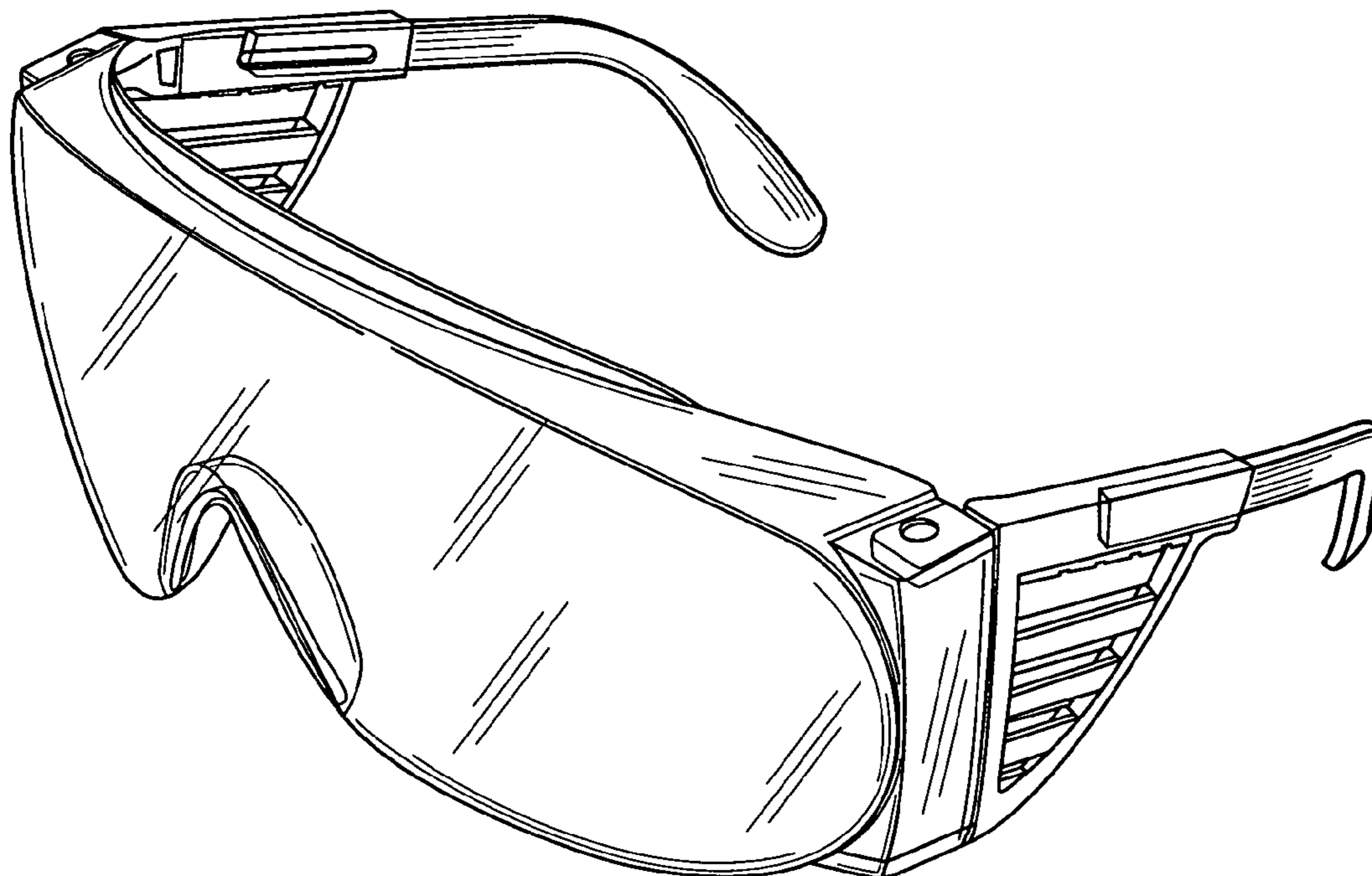
FIG. 4 is a rear elevation view of the goggles shown in FIG. 1;

FIG. 5 is a right side view of the goggles shown in FIG. 1, the left side being a mirror image thereof;

FIG. 6 is a top plan view of the goggles shown in FIG. 1; and,

FIG. 7 is a bottom view of the goggles shown in FIG. 1.

**1 Claim, 3 Drawing Sheets**



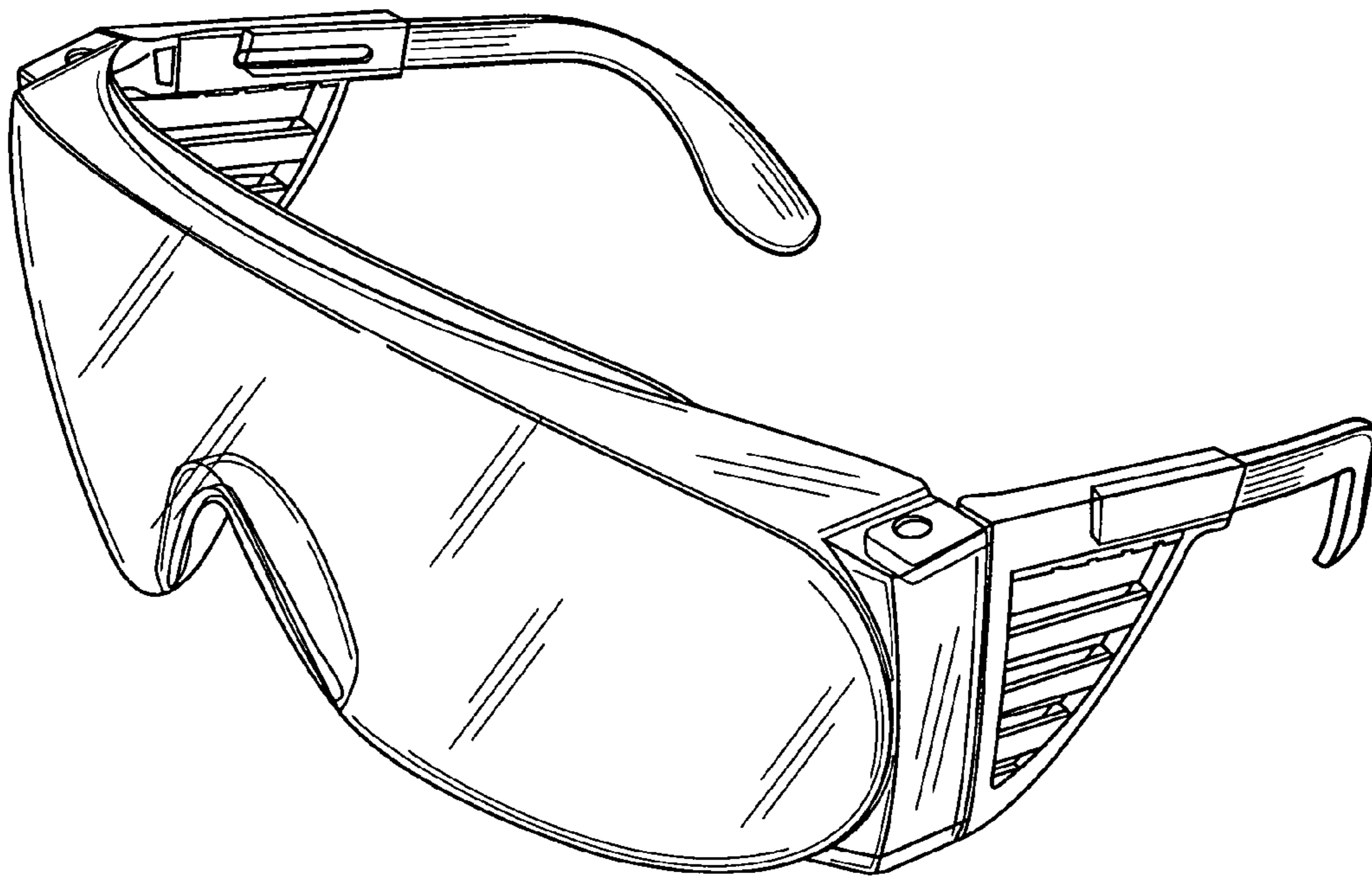


FIG. 1

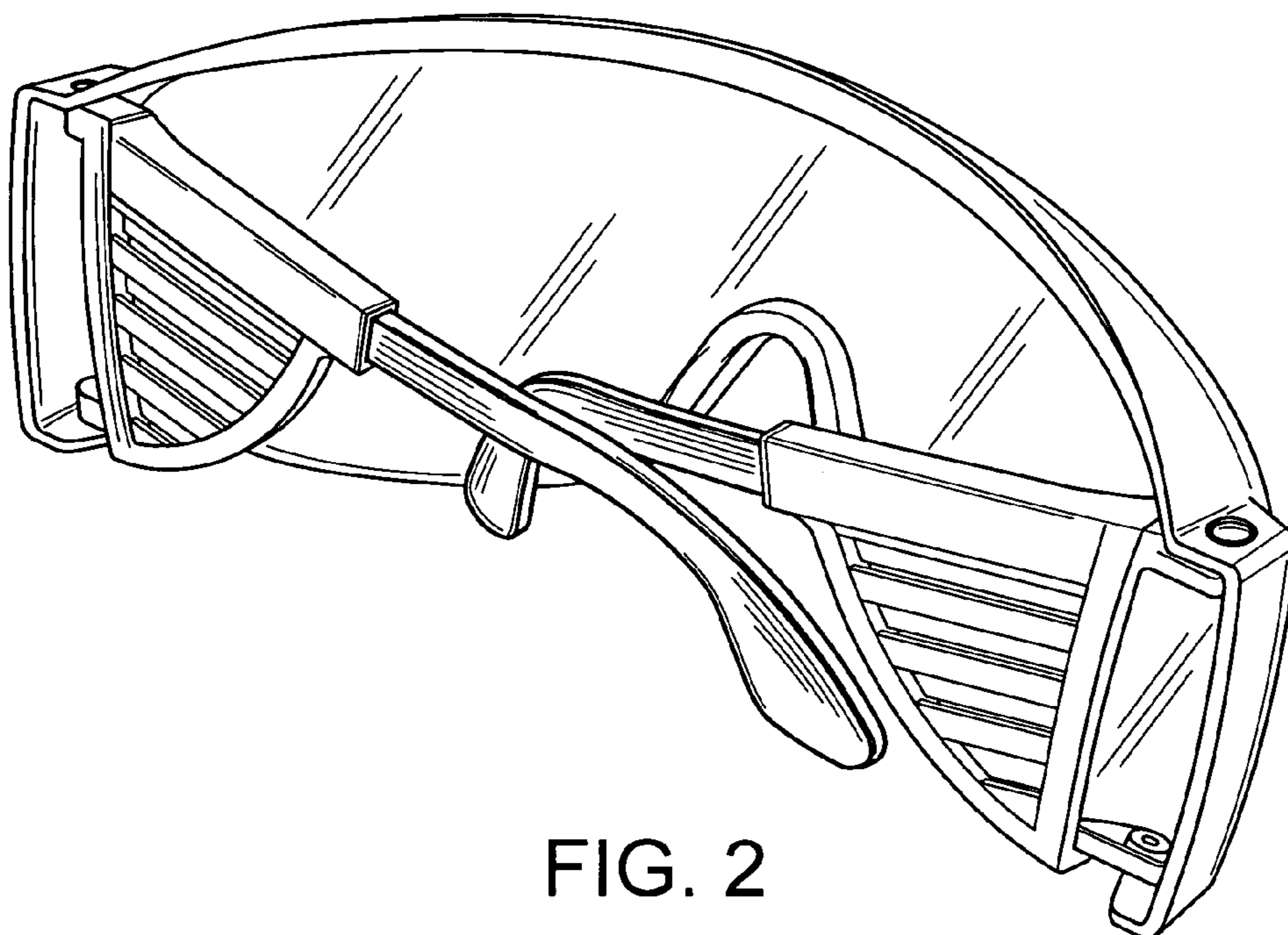


FIG. 2

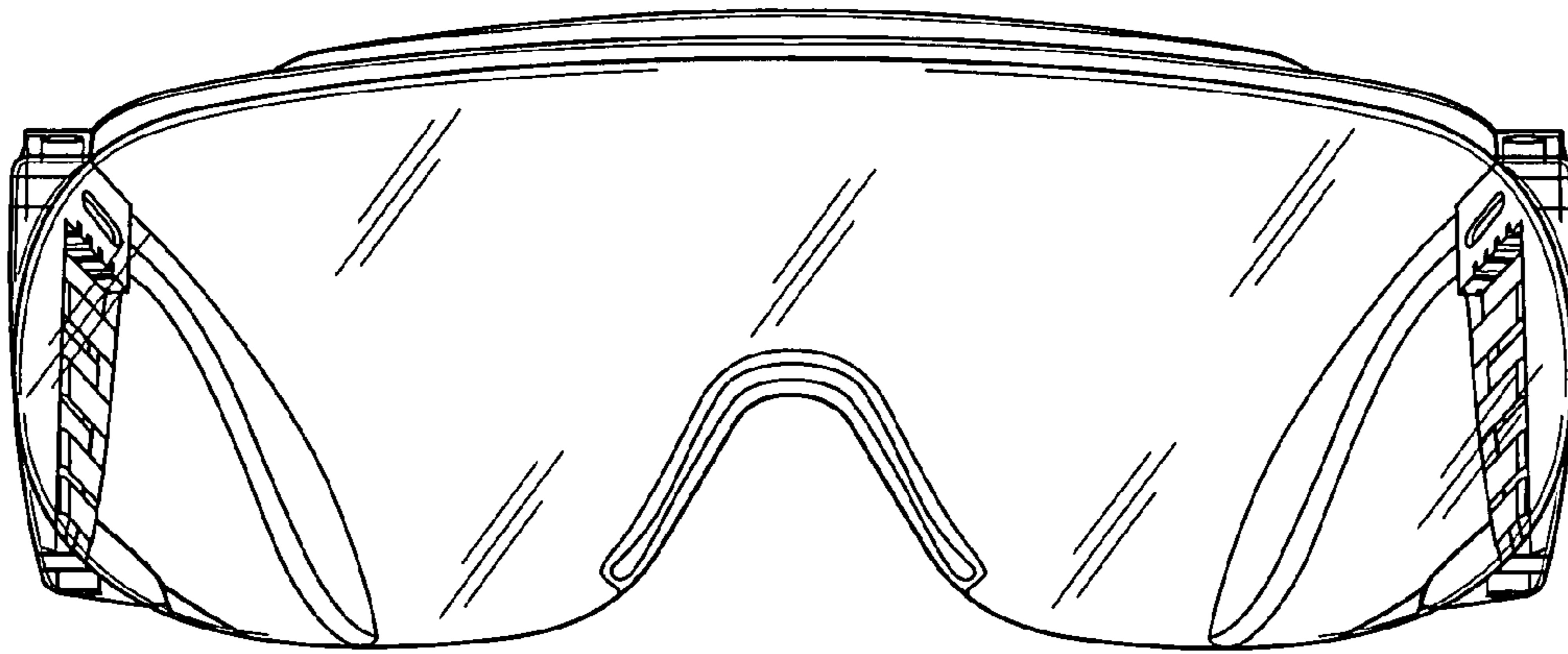


FIG. 3

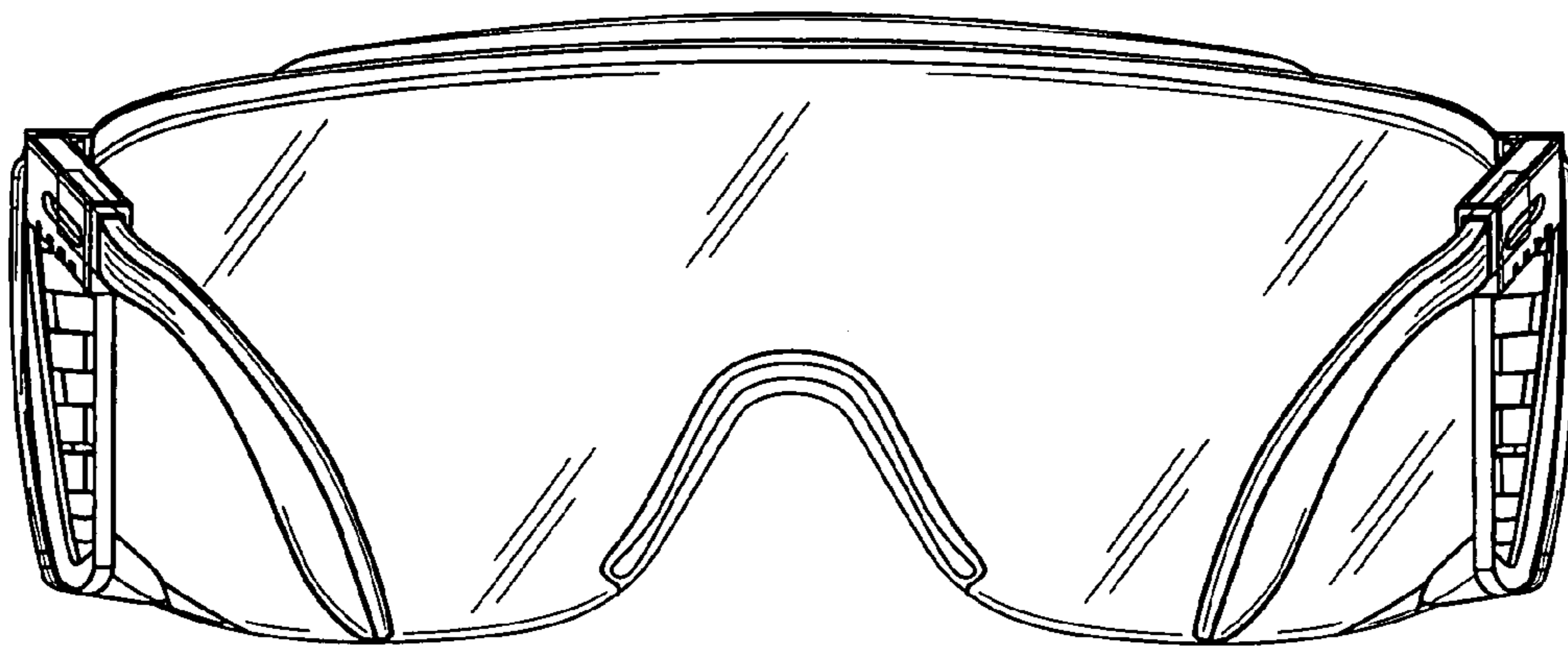


FIG. 4

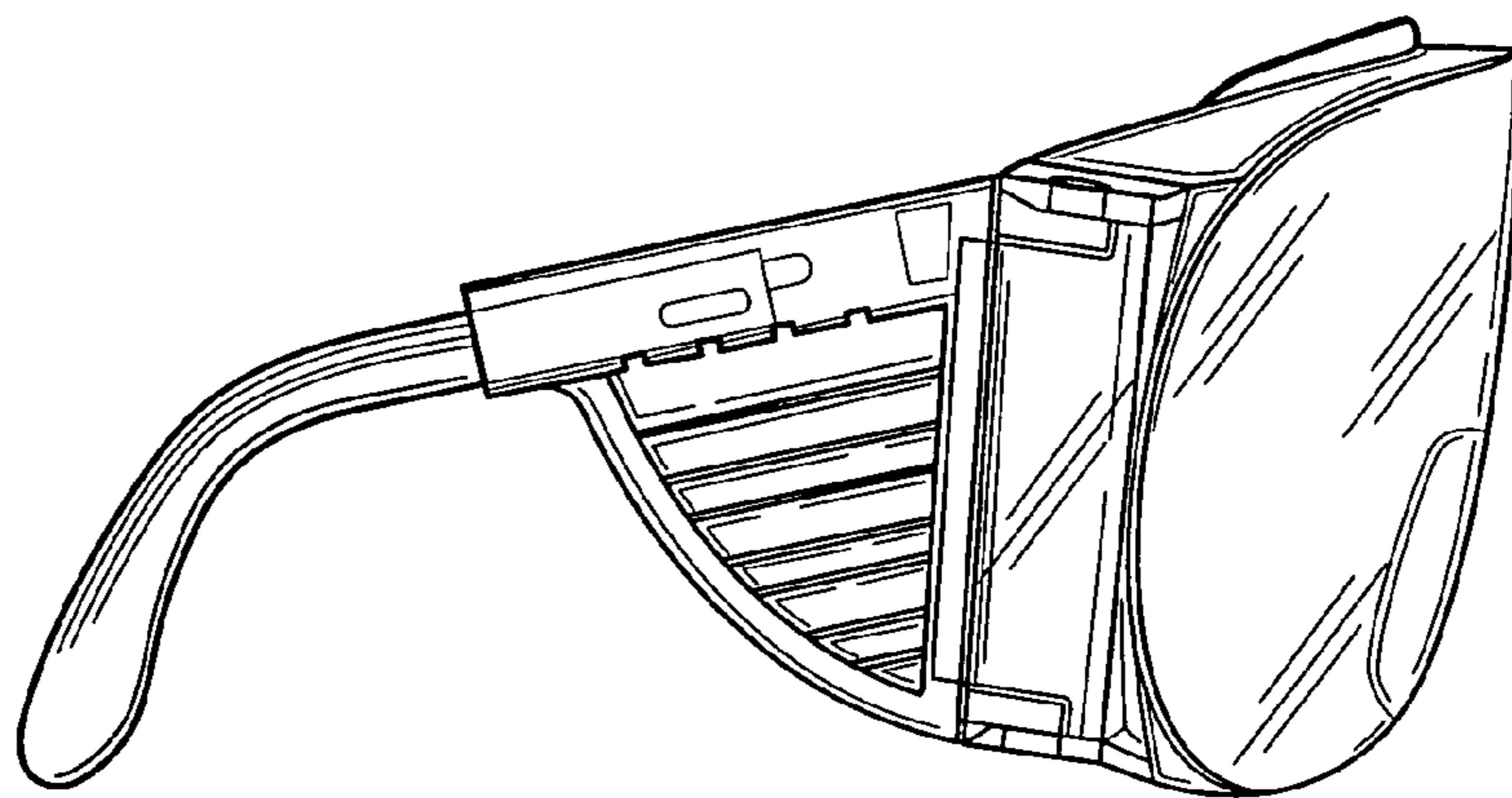


FIG. 5

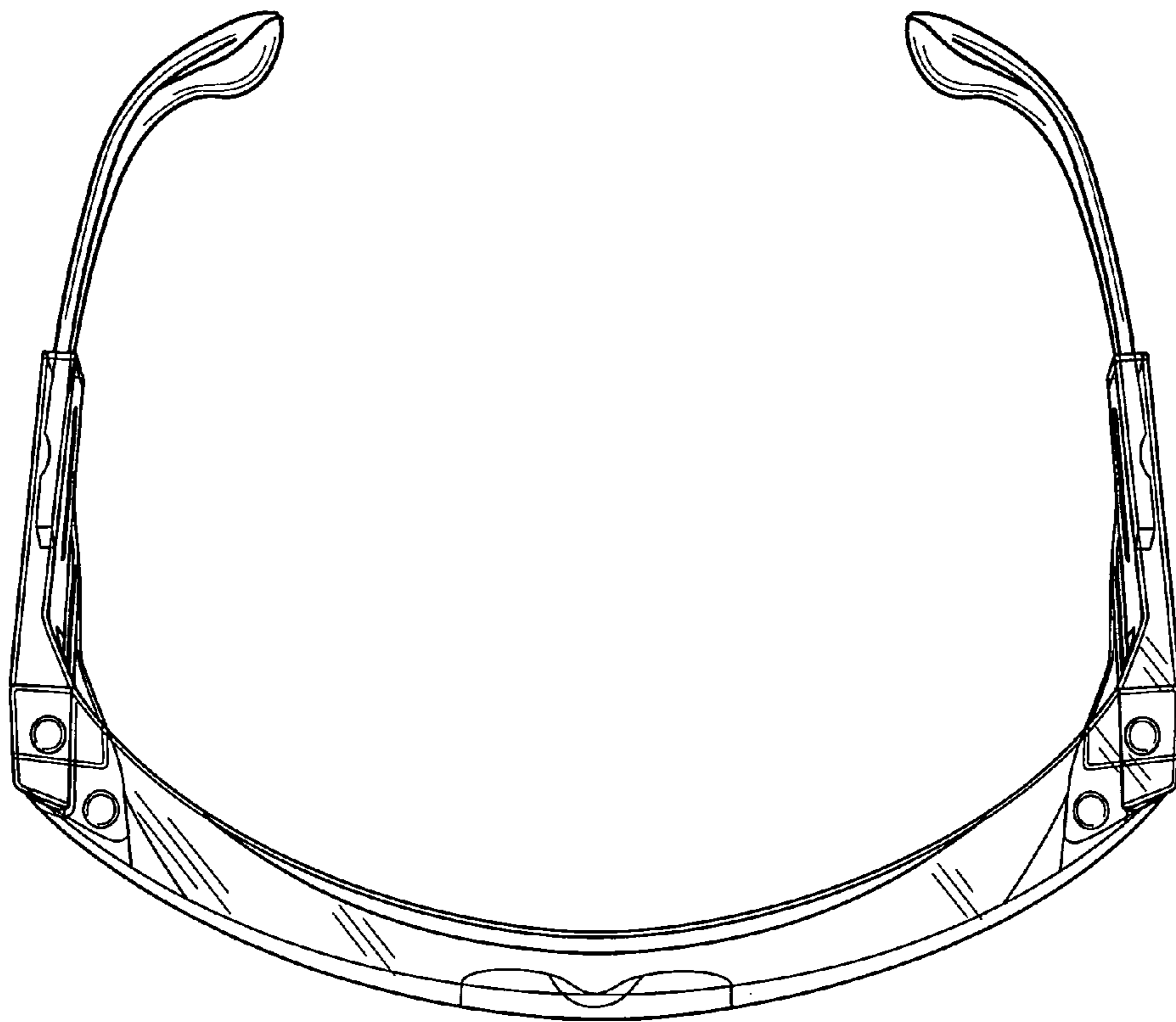


FIG. 6

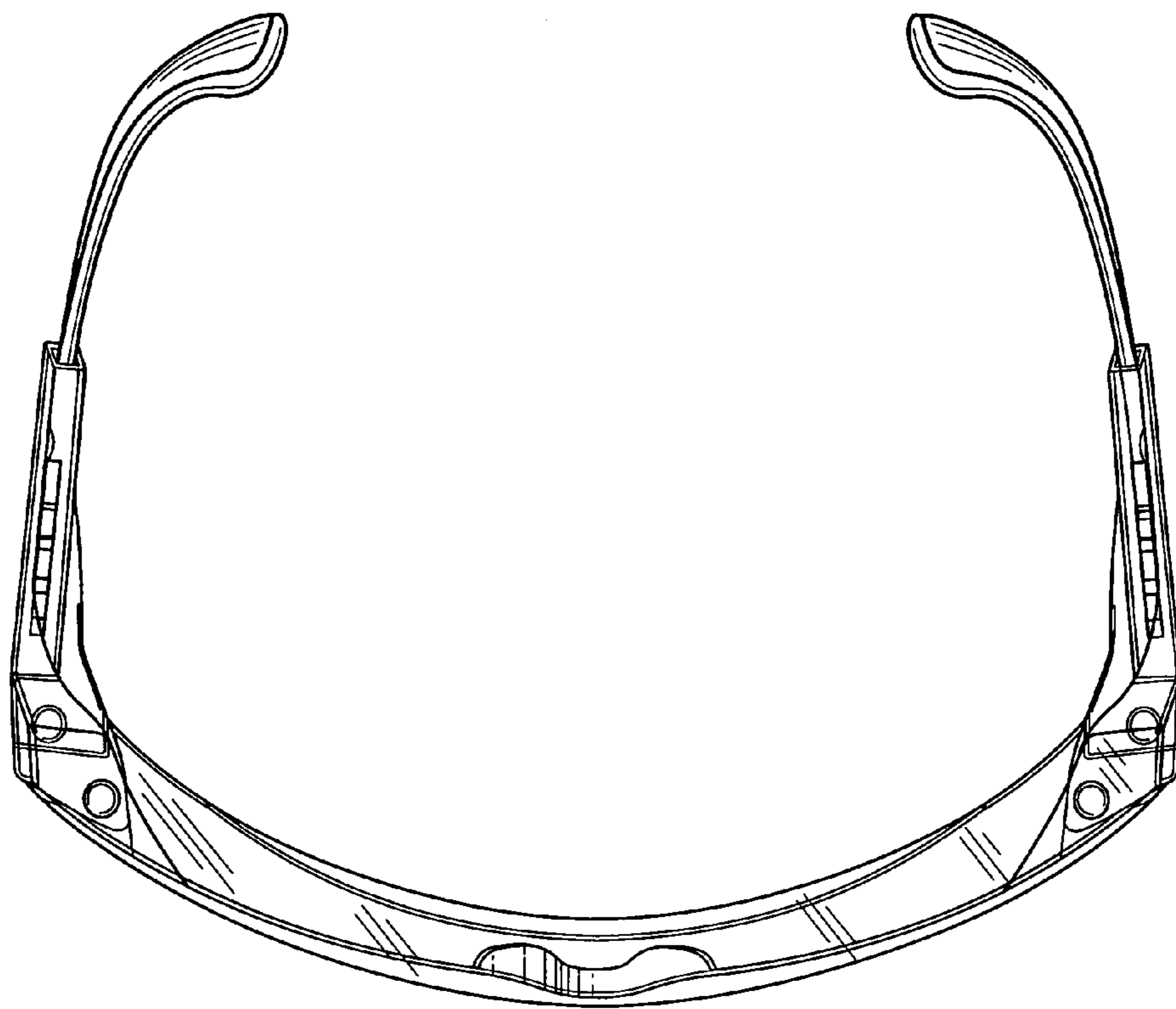


FIG. 7