



US00D569411S

(12) **United States Design Patent**
Chiang

(10) **Patent No.:** **US D569,411 S**

(45) **Date of Patent:** **** May 20, 2008**

(54) **SWIMMING GOGGLES**

D550,750 S * 9/2007 Chiang D16/311

(76) Inventor: **Herman Chiang**, 11F-2, No. 634-9
Ching-Ping Rd., Chung-Ho, Taipei
Hsien (TW)

* cited by examiner

Primary Examiner—T. Chase Nelson

Assistant Examiner—Barbara B Lohr

(74) *Attorney, Agent, or Firm*—Rosenberg, Klein & Lee

(**) Term: **14 Years**

(21) Appl. No.: **29/287,517**

(57) **CLAIM**

(22) Filed: **Aug. 17, 2007**

The ornamental design for swimming goggles, as shown and described.

(51) **LOC (8) Cl.** **16-06**

(52) **U.S. Cl.** **D16/311**

(58) **Field of Classification Search** D16/101,
D16/300–330; D29/109, 110; D24/110.2;
351/41, 44, 158; 2/424, 426, 430, 432, 436,
2/437, 447

See application file for complete search history.

DESCRIPTION

FIG. 1 is a perspective view of swimming goggles showing my new design;

FIG. 2 is a front elevational view thereof;

FIG. 3 is a rear elevational view thereof;

FIG. 4 is a left elevational view thereof;

FIG. 5 is a right elevational view thereof;

FIG. 6 is a top plan view thereof; and,

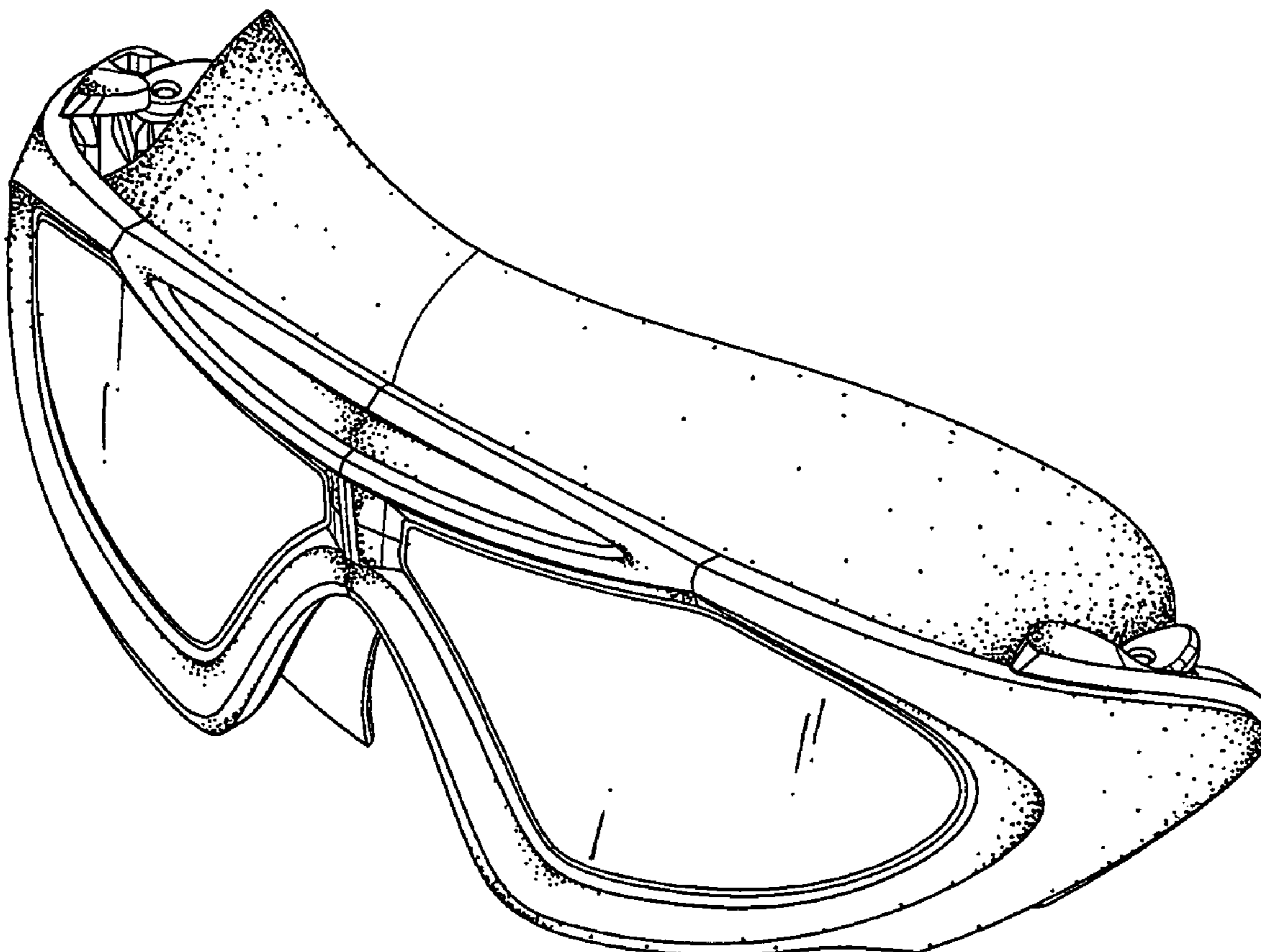
FIG. 7 is a bottom plan view thereof.

(56) **References Cited**

U.S. PATENT DOCUMENTS

D499,440 S *	12/2004	Chiang	D16/311
D536,019 S *	1/2007	Chiang	D16/311
D542,326 S *	5/2007	Chiang	D16/311
D550,749 S *	9/2007	Chiang	D16/311

1 Claim, 4 Drawing Sheets



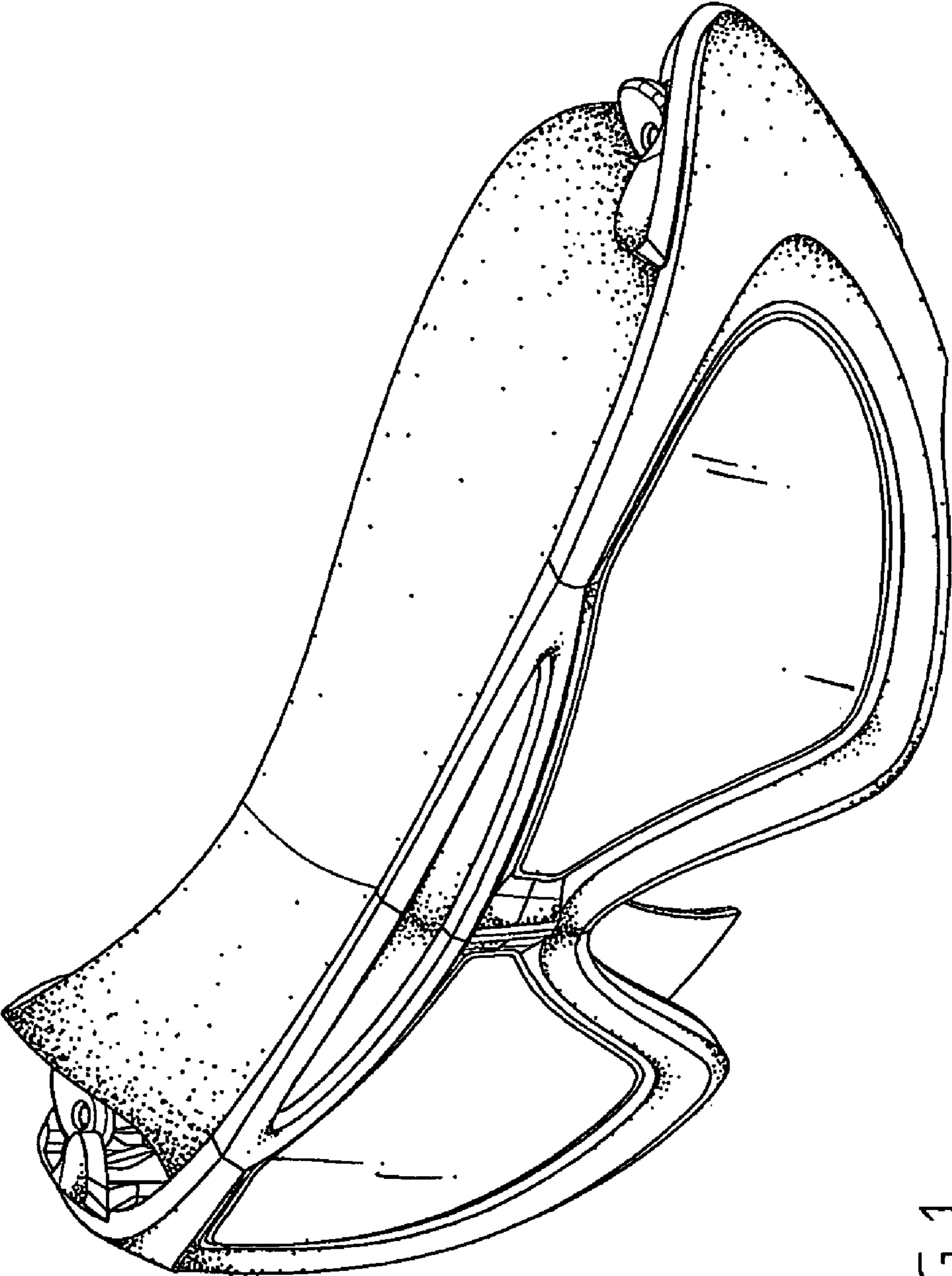


FIG.1

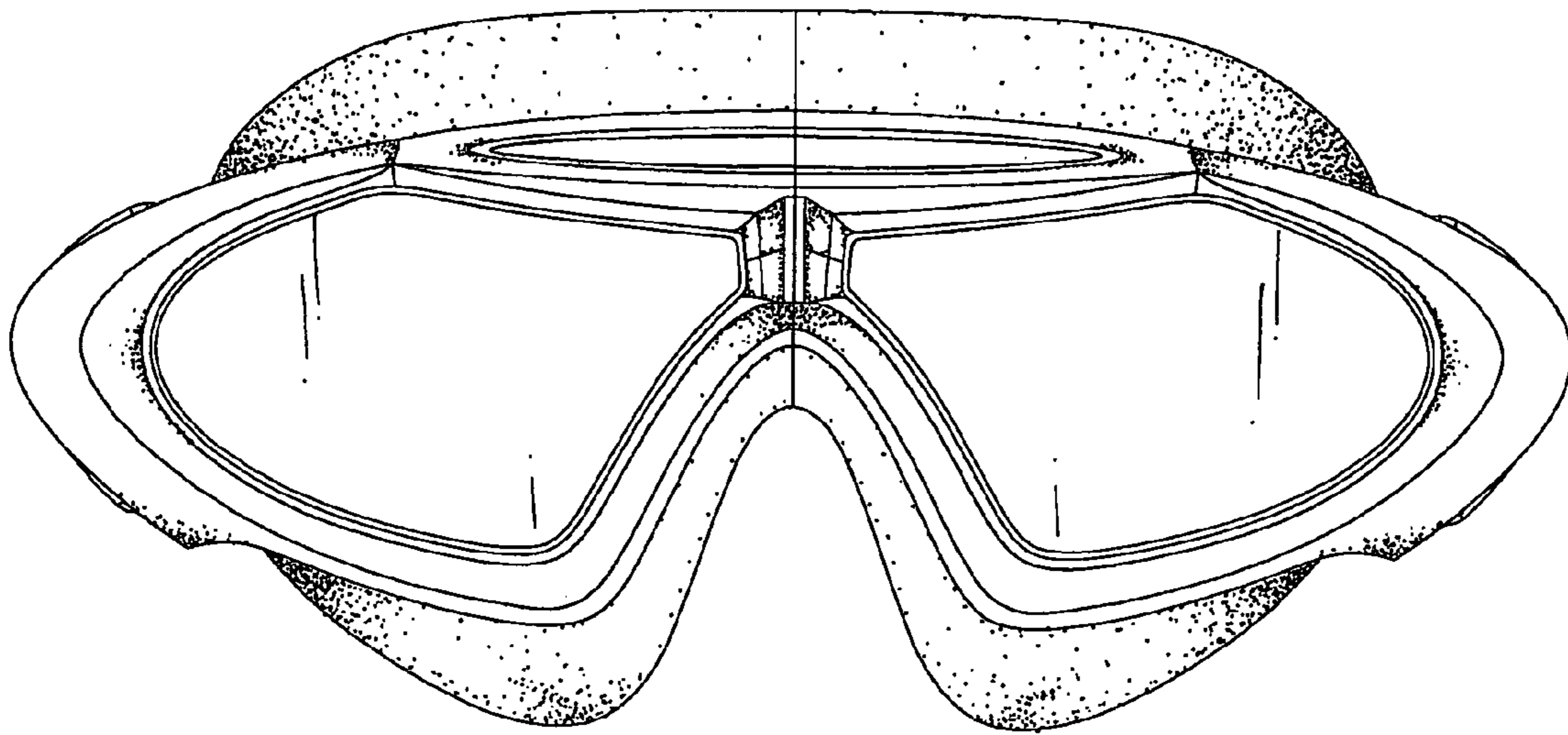


FIG. 2

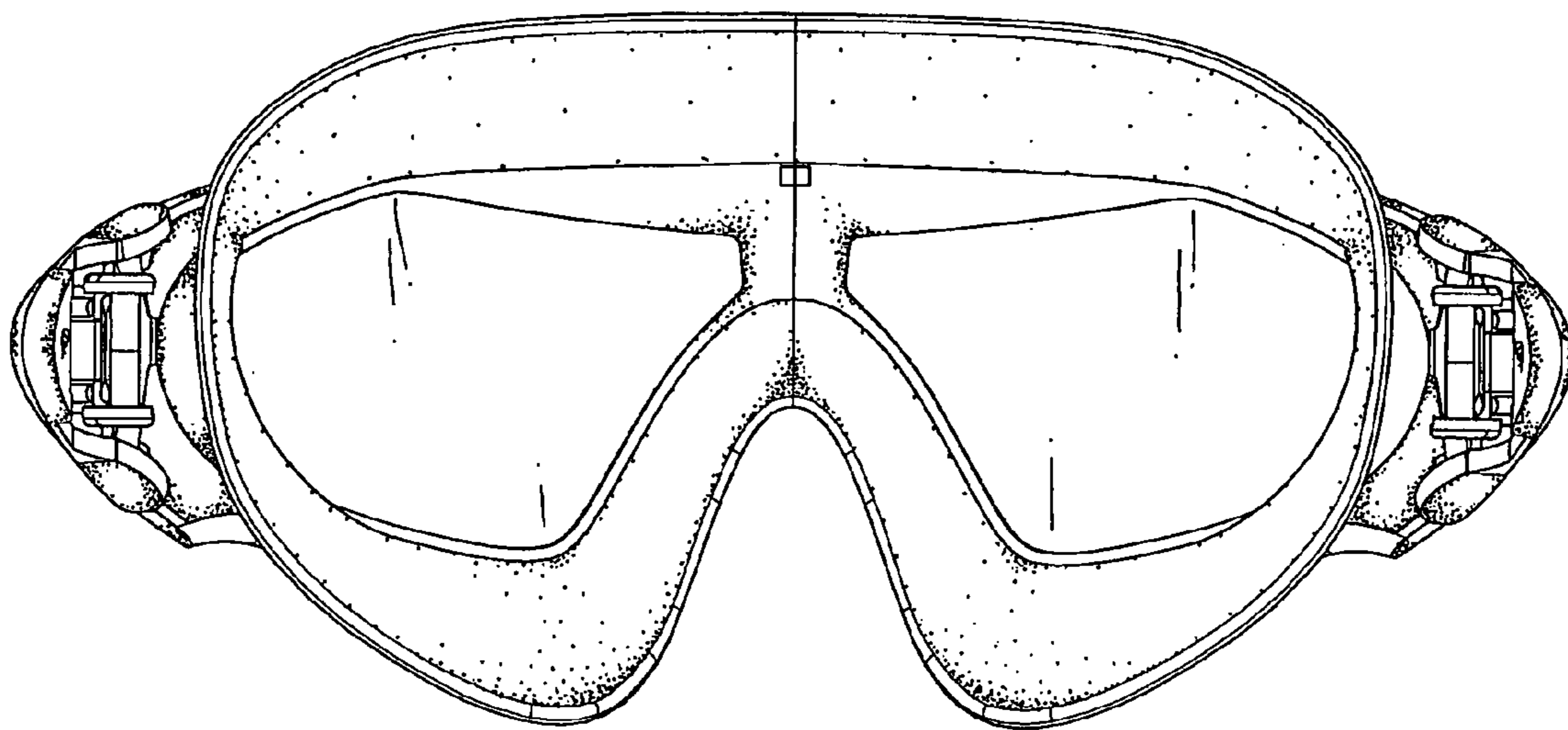


FIG. 3

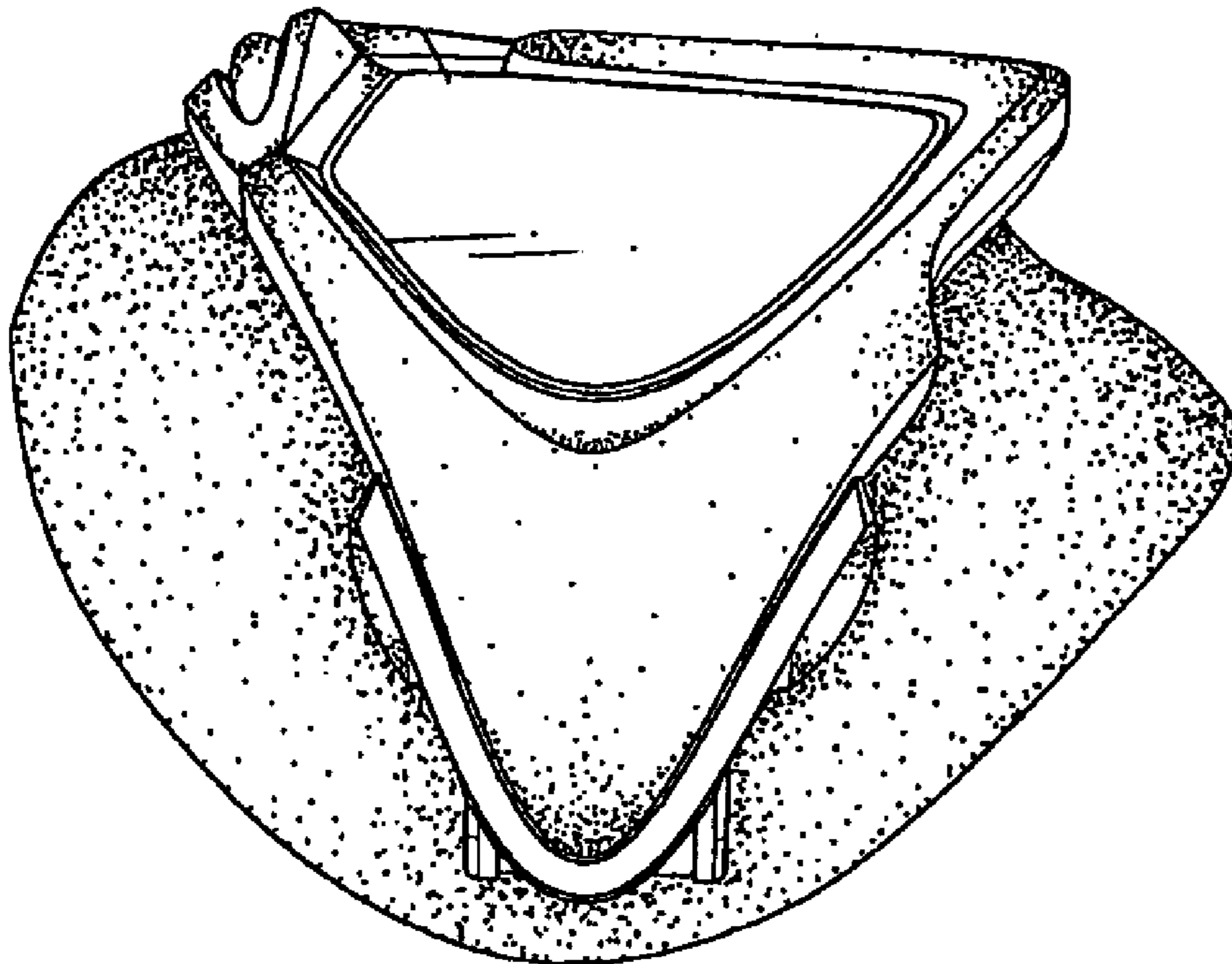


FIG. 4

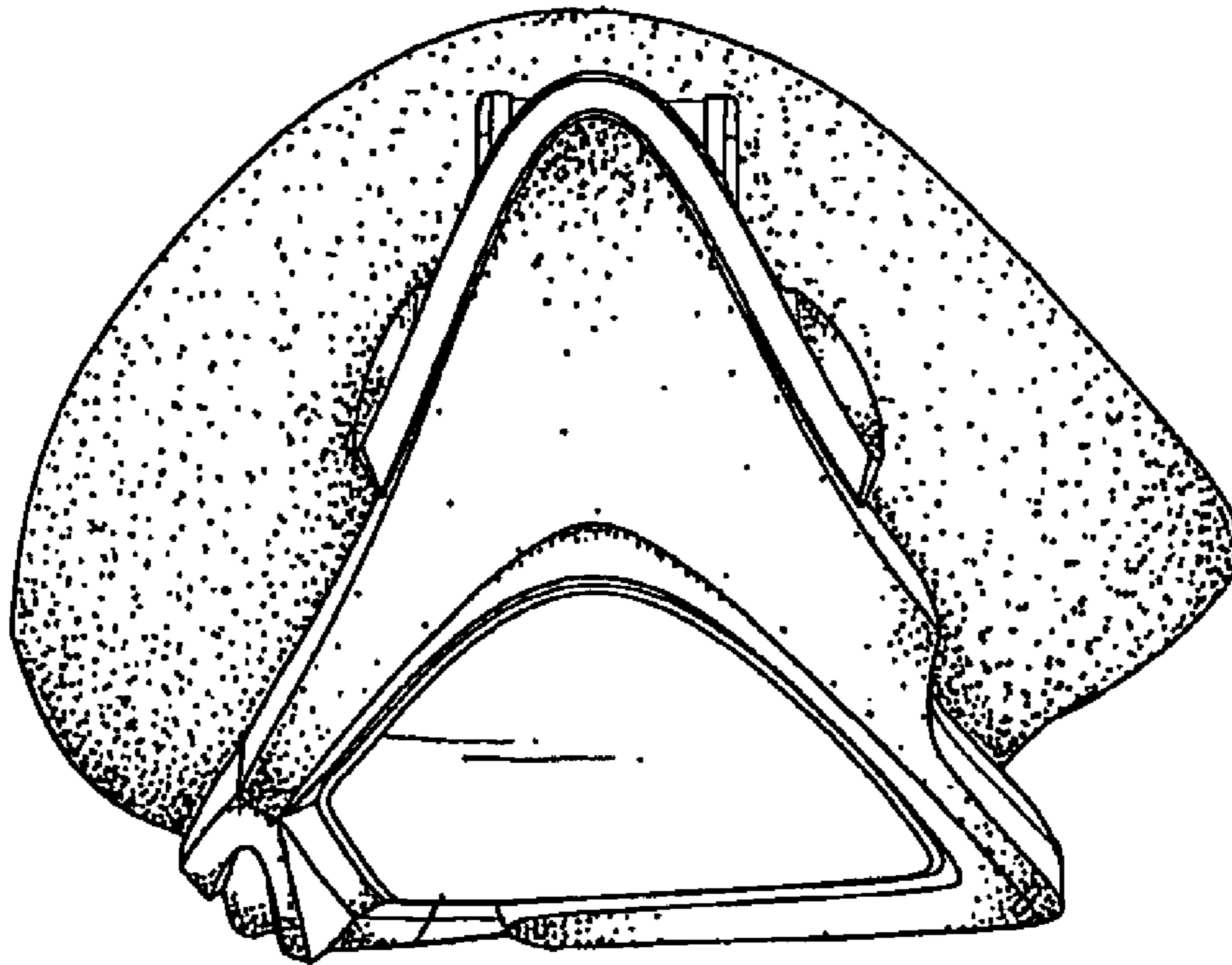


FIG. 5

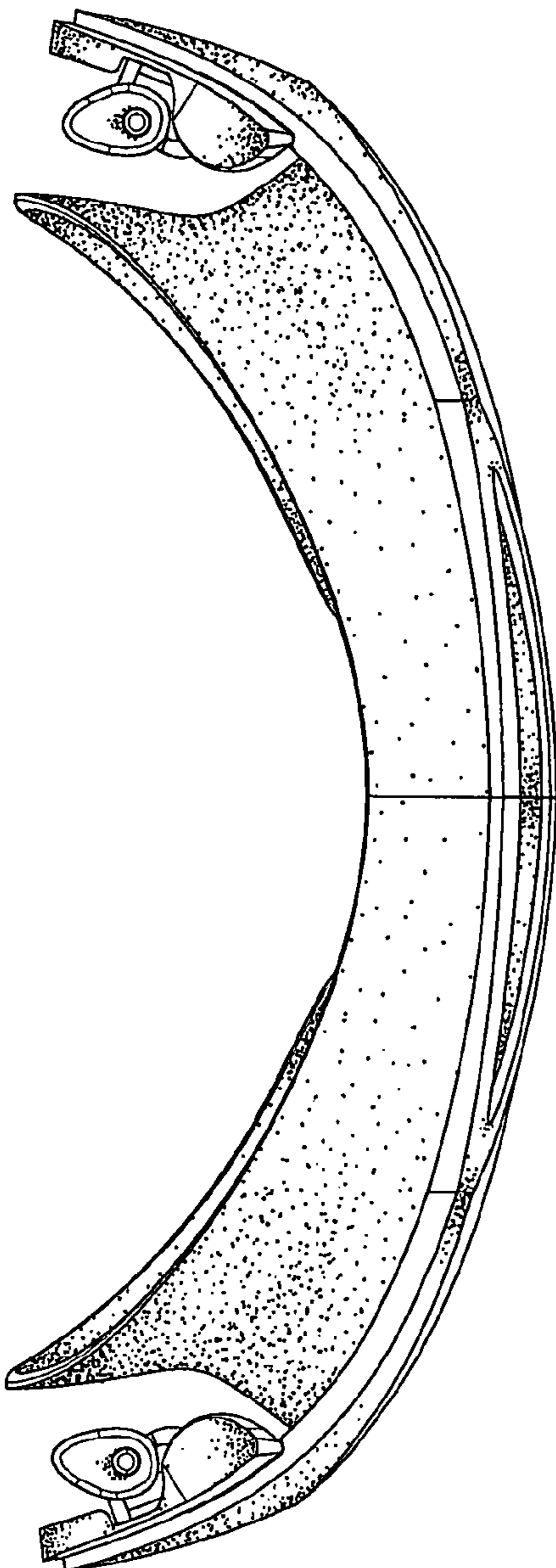


FIG. 6

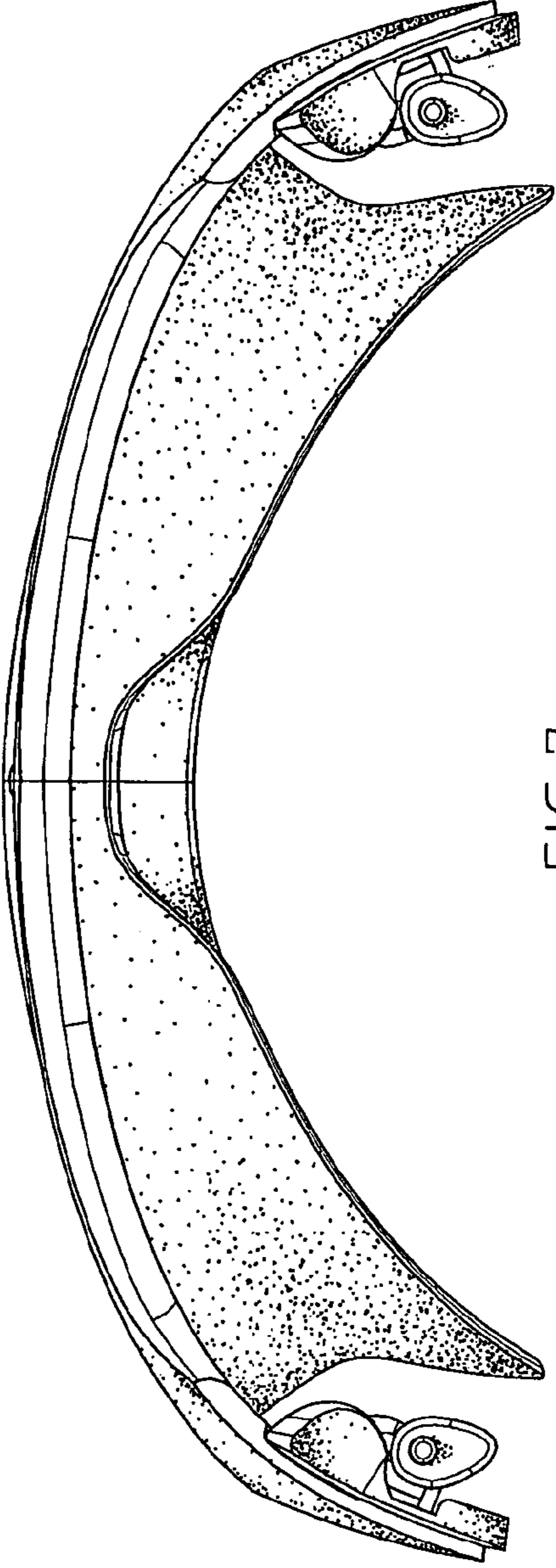


FIG. 7