



US00D569408S

(12) **United States Design Patent**
Solomon et al.

(10) **Patent No.:** **US D569,408 S**

(45) **Date of Patent:** **** May 20, 2008**

(54) **PROJECTOR**

2007/0195294 A1* 8/2007 Willey et al. 353/119

(75) Inventors: **Mark C. Solomon**, Corvallis, OR (US);
Glen Allen Oross, San Diego, CA
(US); **Brittany Davis**, Corvallis, OR
(US)

* cited by examiner

Primary Examiner—Ian Simmons
Assistant Examiner—Wan Laymon

(73) Assignee: **Hewlett-Packard Development
Company, L.P.**, Houston, TX (US)

(57) **CLAIM**

The ornamental design for a projector, as shown and
described.

(**) Term: **14 Years**

(21) Appl. No.: **29/264,948**

(22) Filed: **Aug. 22, 2006**

(51) **LOC (8) Cl.** **16-02**

(52) **U.S. Cl.** **D16/229; D16/232**

(58) **Field of Classification Search** D14/423,
D14/432–434, 356; D16/205, 208, 221,
D16/225, 229–232, 234–235; D21/514;
352/242–243; 353/115, 119, 122

See application file for complete search history.

DESCRIPTION

FIG. 1 is a right front perspective view of a projector
showing our new design;

FIG. 2 is a front elevation view, the back elevation view
being a mirror image thereof;

FIG. 3 is a right-side elevation view, the left-side elevation
view being a mirror image thereof;

FIG. 4 is a top view thereof;

FIG. 5 is a bottom view thereof;

FIG. 6 is a left-side perspective view, with the projector
partially pivoted from the housing;

FIG. 7 is a front perspective view, with the projector pivoted
from the housing and a cover of the projector extended to an
open position; and,

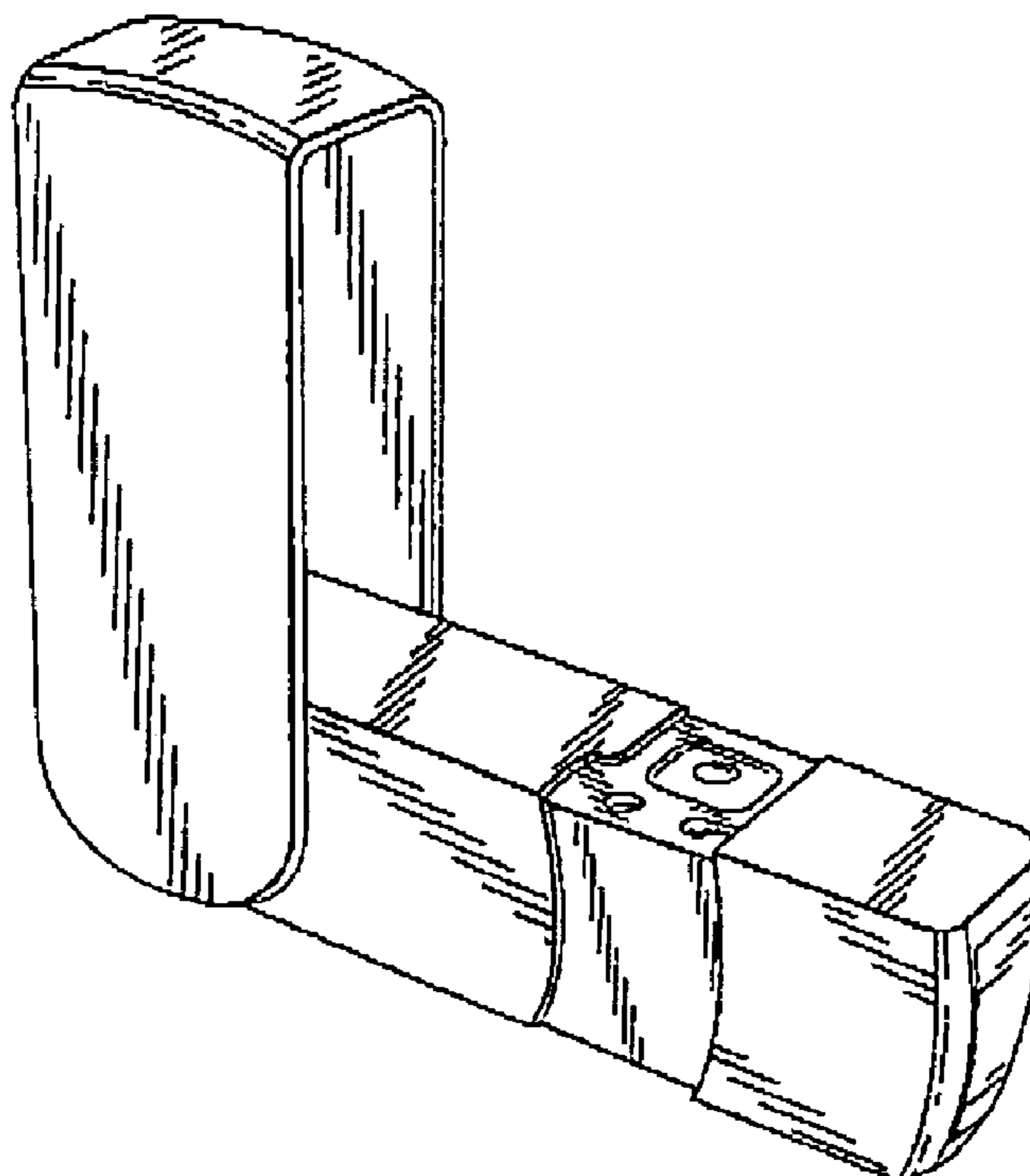
FIG. 8 is a bottom perspective view, with the projector
pivoted from the housing and the cover extended to the open
position.

(56) **References Cited**

U.S. PATENT DOCUMENTS

D317,616 S *	6/1991	Shiiba	D16/232
5,823,651 A *	10/1998	Helot et al.	353/119
6,612,853 B2 *	9/2003	Wu	439/136
D498,782 S *	11/2004	Ooshima	D16/235
D518,500 S *	4/2006	Loew	D16/229
D553,618 S *	10/2007	Cheng	D14/356
2005/0173276 A1 *	8/2005	Hsu	206/320

1 Claim, 1 Drawing Sheet



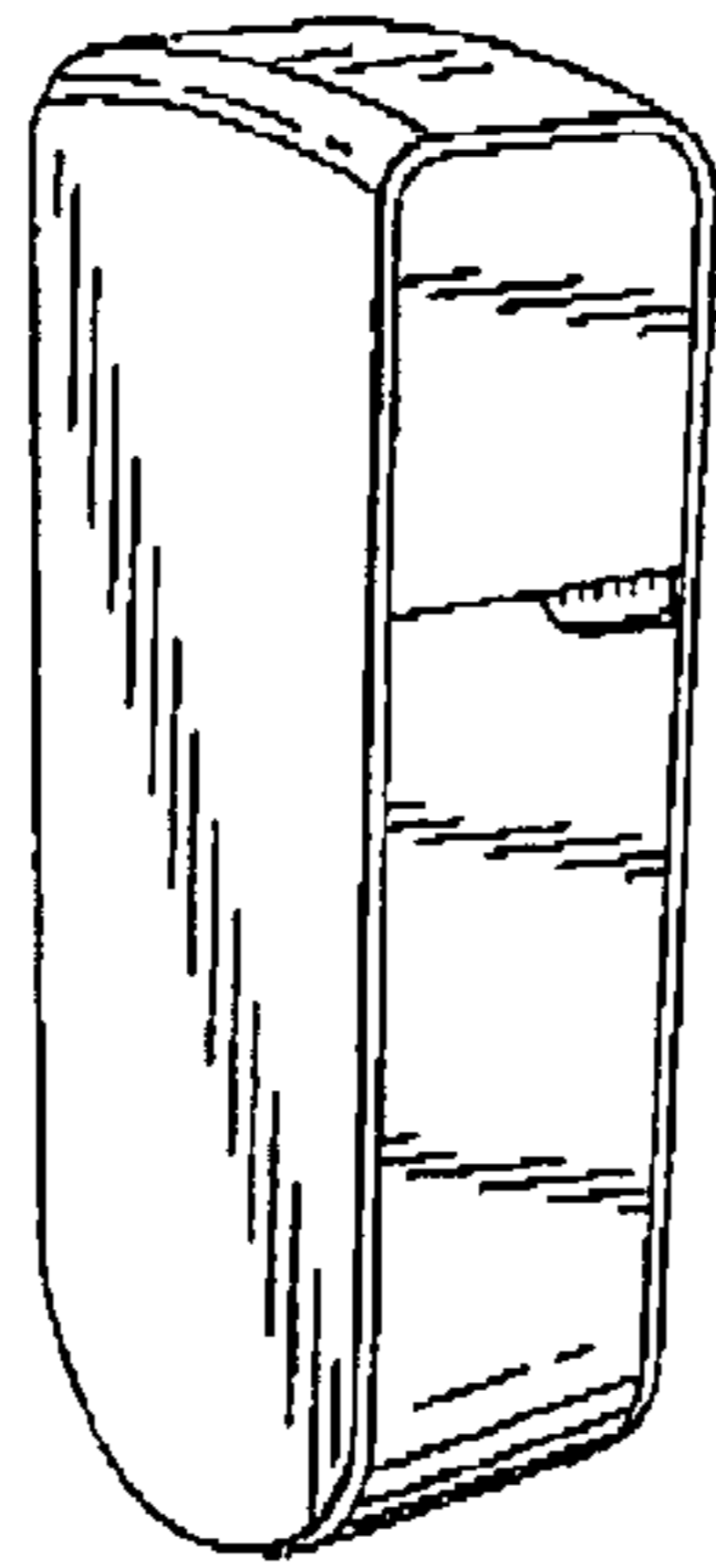


FIG. 1

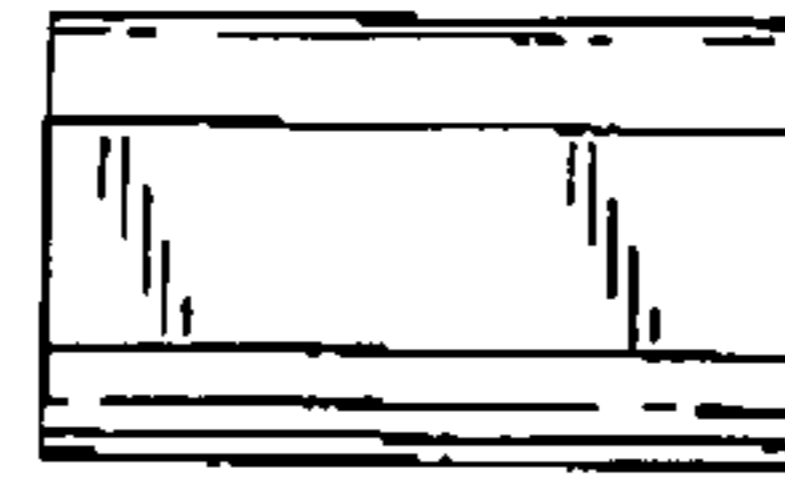


FIG. 4

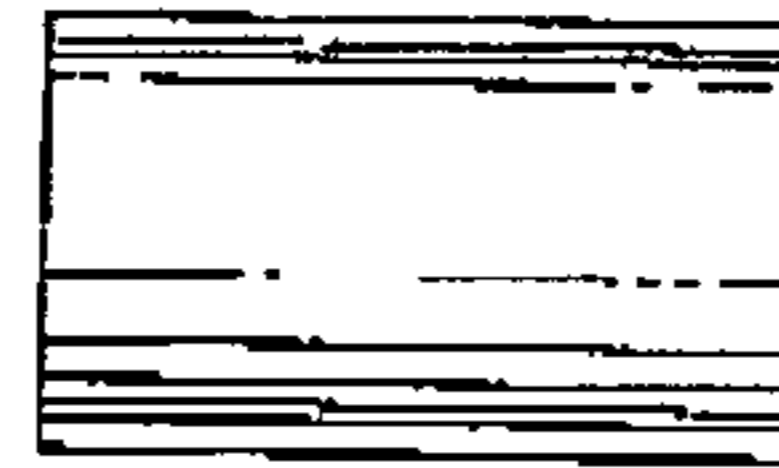


FIG. 5

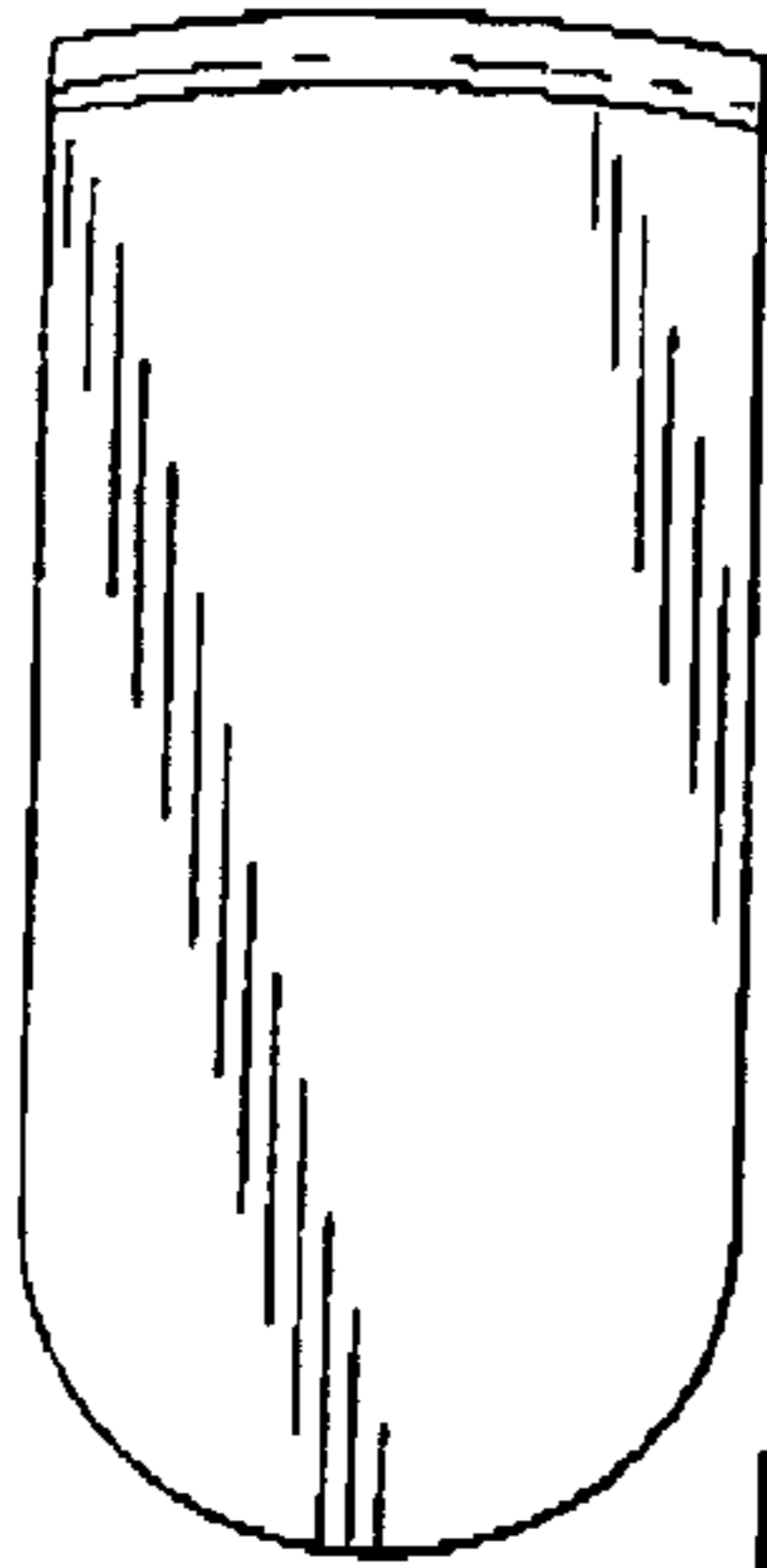


FIG. 2

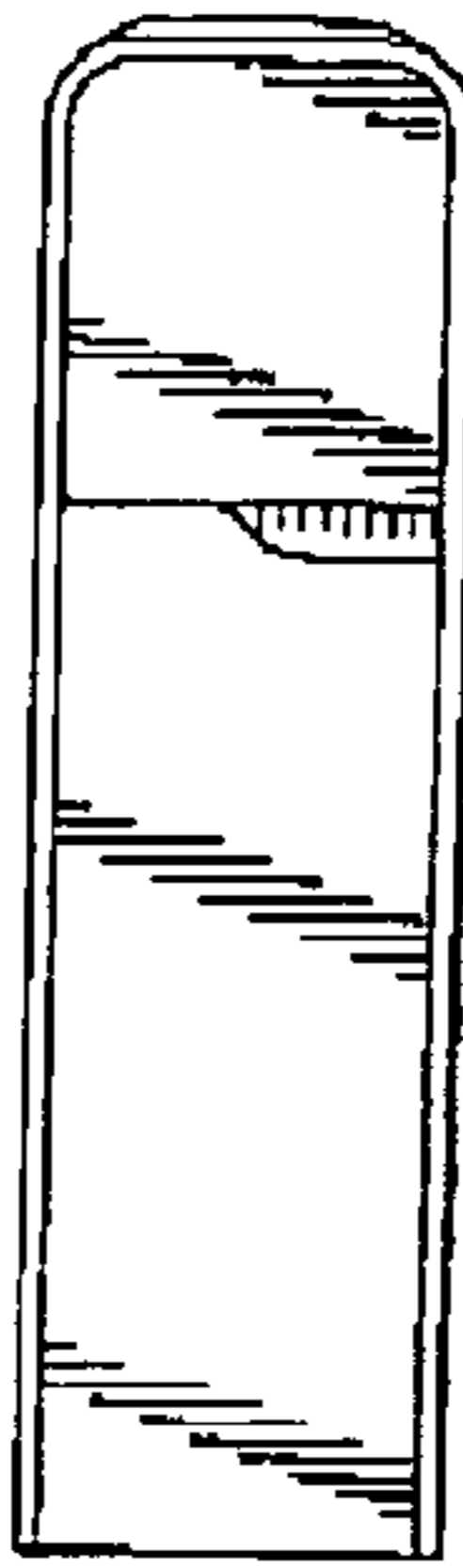


FIG. 3

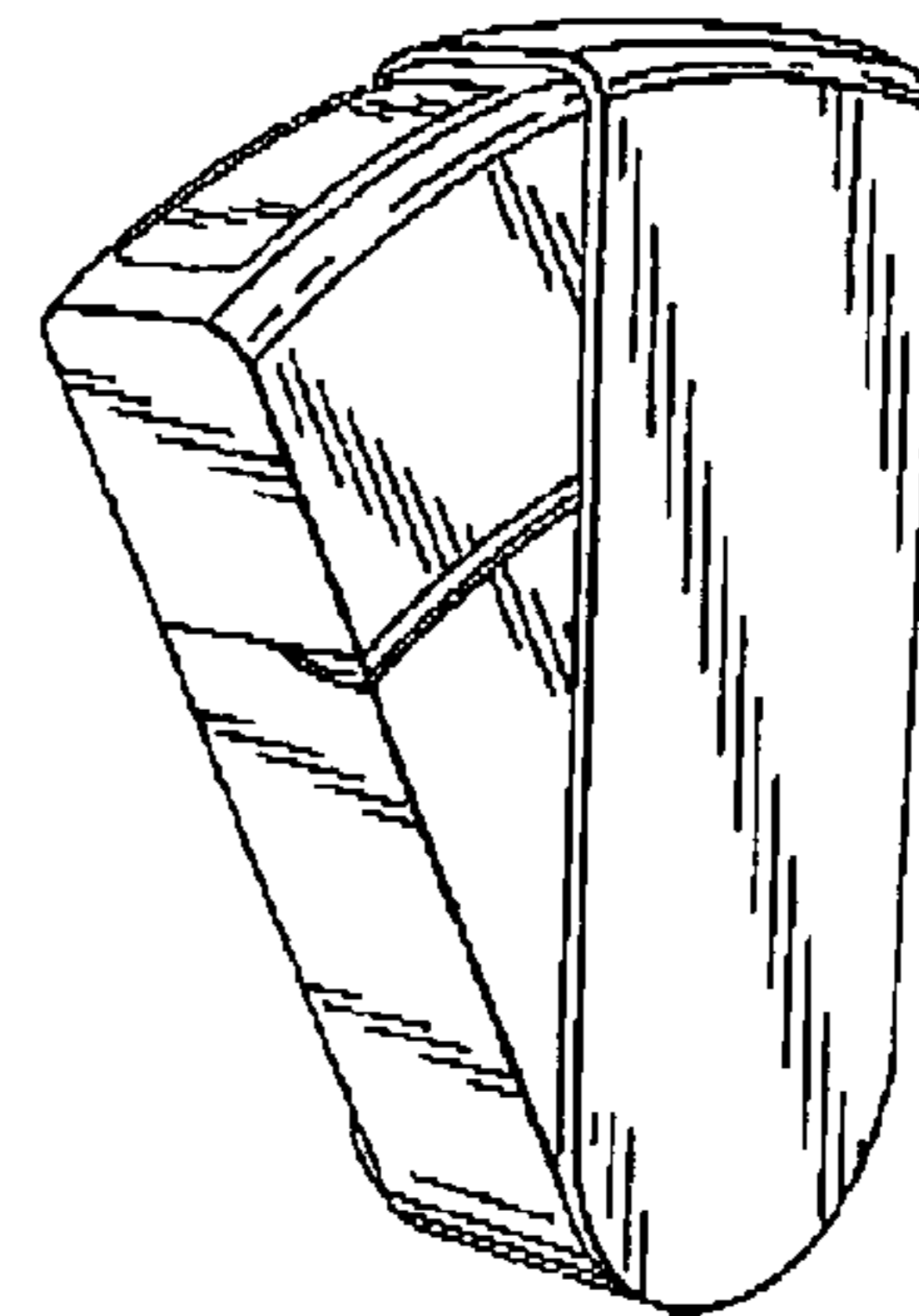


FIG. 6

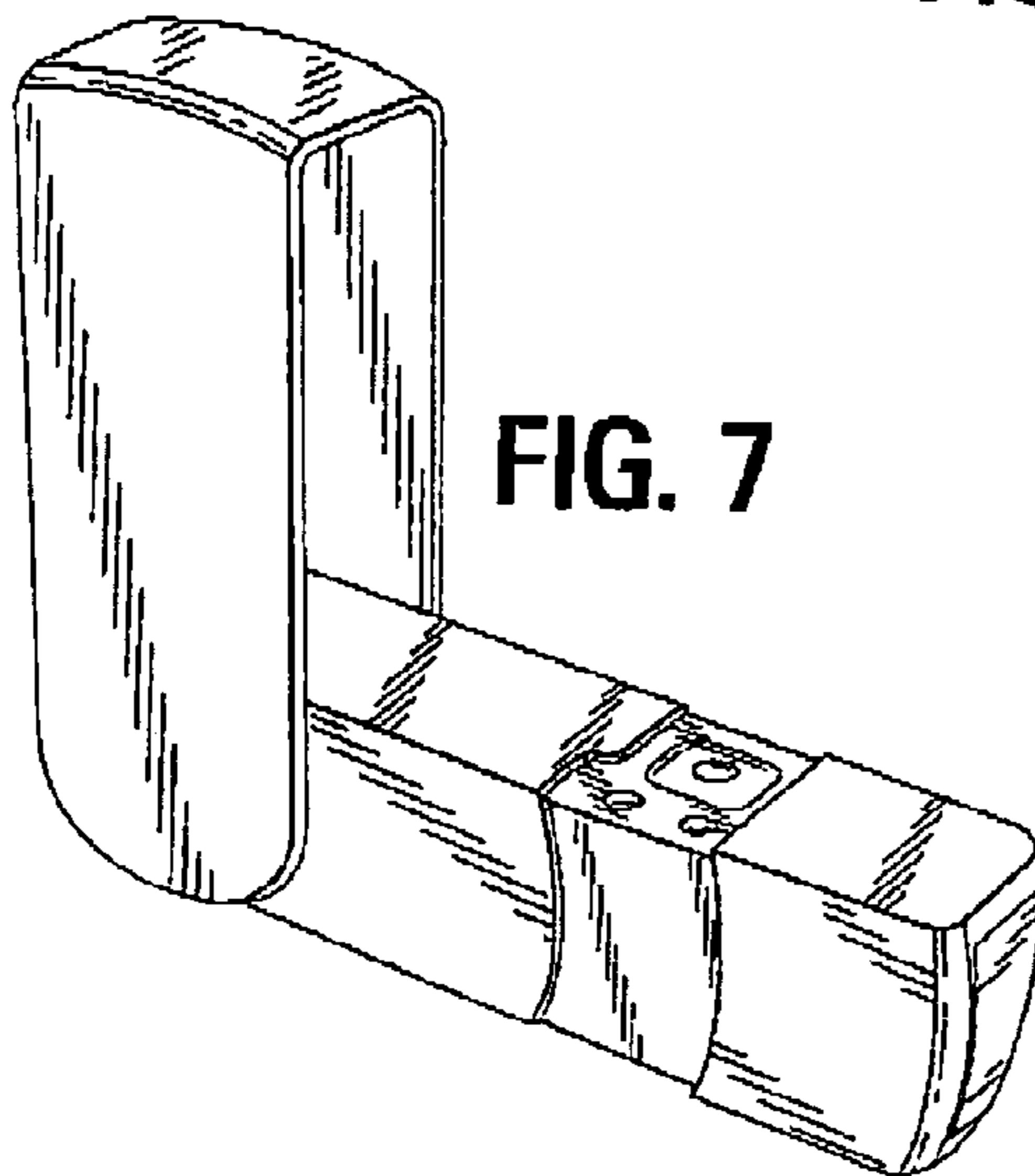


FIG. 7

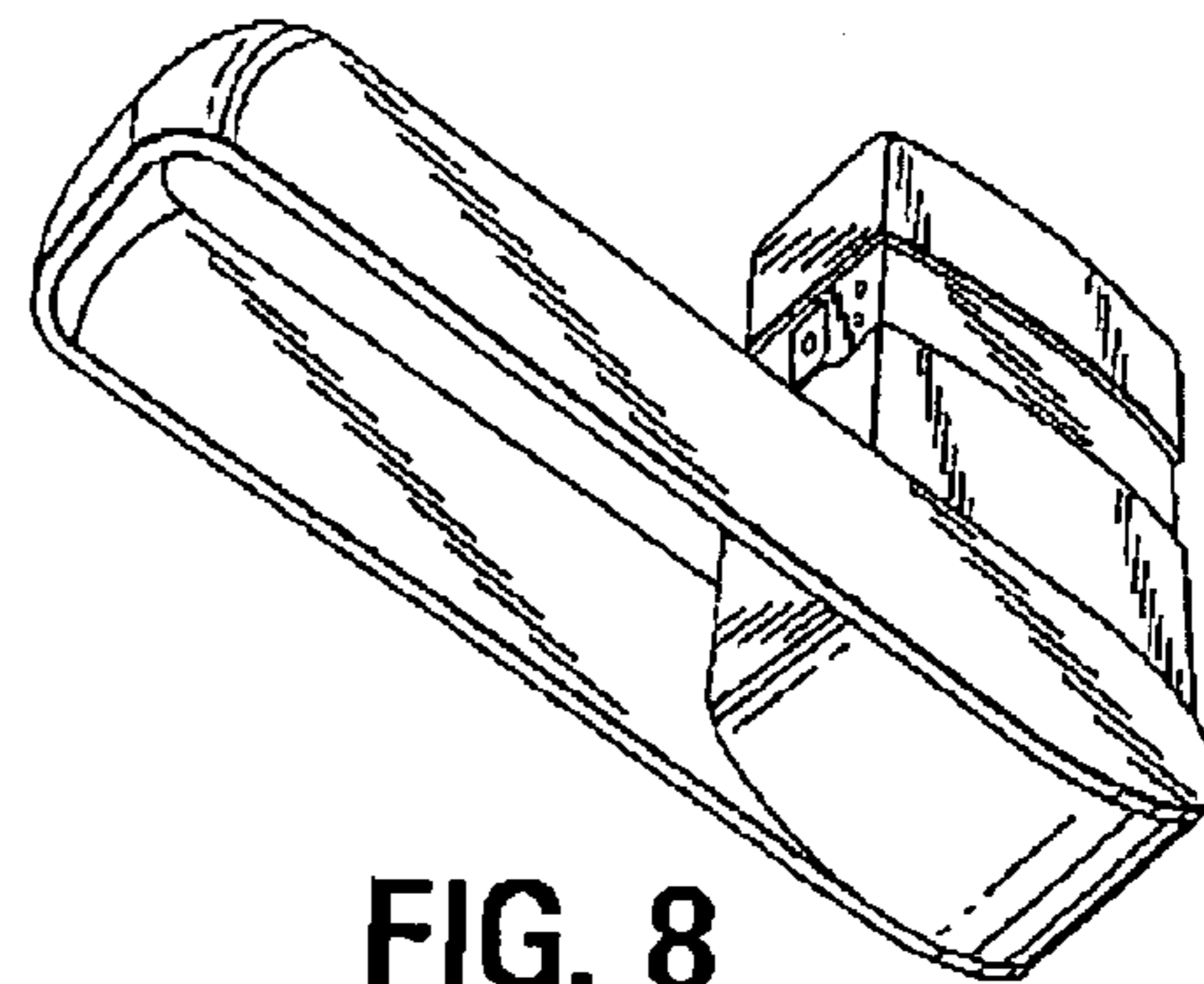


FIG. 8