

US00D569407S

(12) **United States Design Patent**  
**Narita et al.**

(10) **Patent No.:** **US D569,407 S**  
(45) **Date of Patent:** **\*\* May 20, 2008**

(54) **CAMCORDER**

2007/0147830 A1\* 6/2007 Amatatsu ..... 396/535

(75) Inventors: **Tatsuya Narita**, Yokohama (JP); **Shuji Tanifuji**, Yokohama (JP); **Eiichiro Hayashi**, Tokyo (JP); **Akihiko Miyamori**, Yokohama (JP)

**OTHER PUBLICATIONS**

Capture of <http://www.jvc-victor.co.jp/press/2005/gz-mg70.html>; Available on Internet Jul. 20, 2005, as identified by Japanese Patent Office.

(73) Assignee: **Victor Company of Japan, Limited**, Yokohama-shi, Kanagawa (JP)

\* cited by examiner

(\*\*) **Term:** **14 Years**

*Primary Examiner*—Ian Simmons  
*Assistant Examiner*—Wan Laymon

(21) **Appl. No.:** **29/263,274**

(74) *Attorney, Agent, or Firm*—The Nath Law Group; Jerald L. Meyer; Matthew J. Moffa

(22) **Filed:** **Jul. 20, 2006**

(57) **CLAIM**

(30) **Foreign Application Priority Data**

The ornamental design for a camcorder, as shown and described.

Jan. 24, 2006 (JP) ..... D2006-001402

**DESCRIPTION**

(51) **LOC (8) Cl.** ..... **16-01**

FIG. 1 is a front perspective view of a camcorder;

(52) **U.S. Cl.** ..... **D16/217**

FIG. 2 is a rear perspective view thereof;

(58) **Field of Classification Search** ..... D16/200–206,  
D16/208, 218; 348/373–376; 396/535–541,  
396/29; 358/906, 909.1

FIG. 3 is a front view thereof;

FIG. 4 is a rear view thereof;

See application file for complete search history.

FIG. 5 is a left side view thereof;

FIG. 6 is a right side view thereof;

FIG. 7 is a top plan view thereof;

FIG. 8 is a bottom view thereof;

(56) **References Cited**

**U.S. PATENT DOCUMENTS**

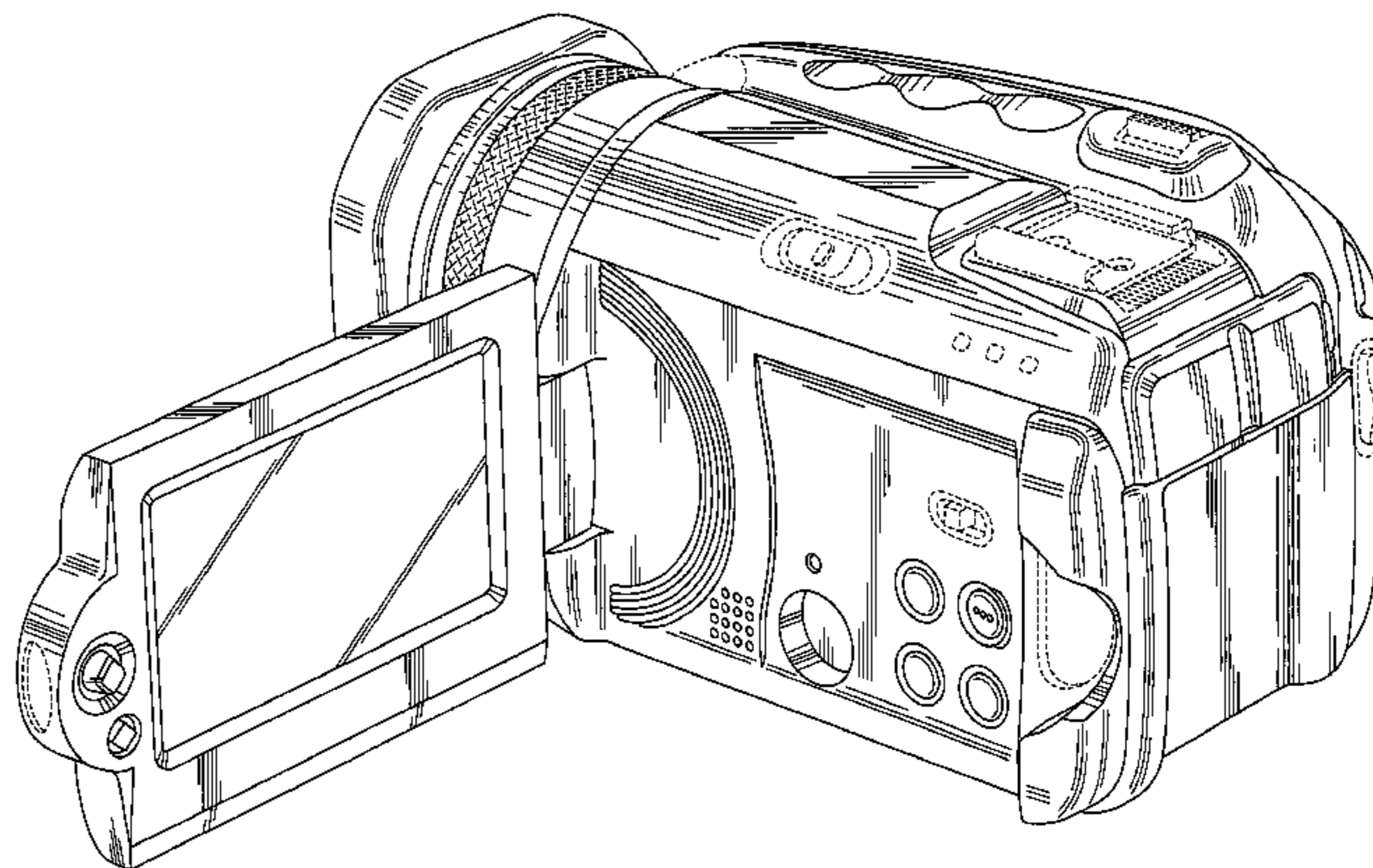
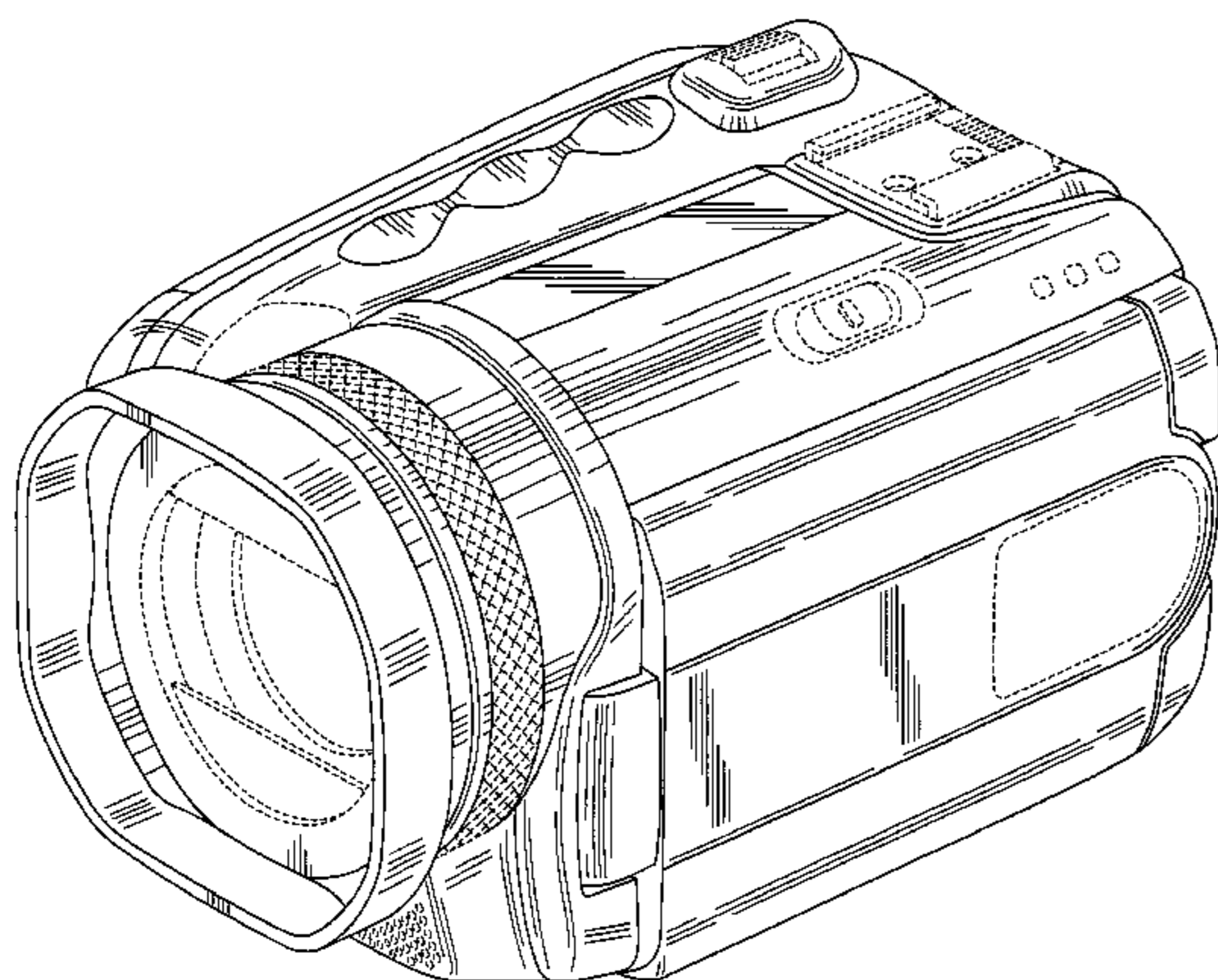
D408,428 S *	4/1999	Ninomiya et al.	.....	D16/202
D435,574 S *	12/2000	Miyashita	.....	D16/202
D445,814 S *	7/2001	Okii et al.	.....	D16/202
D446,799 S *	8/2001	Ohki et al.	.....	D16/202
D460,471 S *	7/2002	Oda et al.	.....	D16/202
D467,601 S *	12/2002	Kojima et al.	.....	D16/202
D500,776 S *	1/2005	Miyashita	.....	D16/202
D502,478 S *	3/2005	Iinuma et al.	.....	D16/202
D507,290 S *	7/2005	Nishiwaki	.....	D16/202
D520,546 S *	5/2006	Kim	.....	D16/202
D544,514 S *	6/2007	Tanifuji et al.	.....	D16/202

FIG. 9 is a front perspective view thereof showing the article with its monitor panel opened; and,

FIG. 10 is a rear perspective view thereof showing the article with its monitor panel opened.

Those portions of the drawings shown in broken lines are unclaimed subject matter and form no part of the claimed design or of a specified embodiment thereof.

**1 Claim, 10 Drawing Sheets**



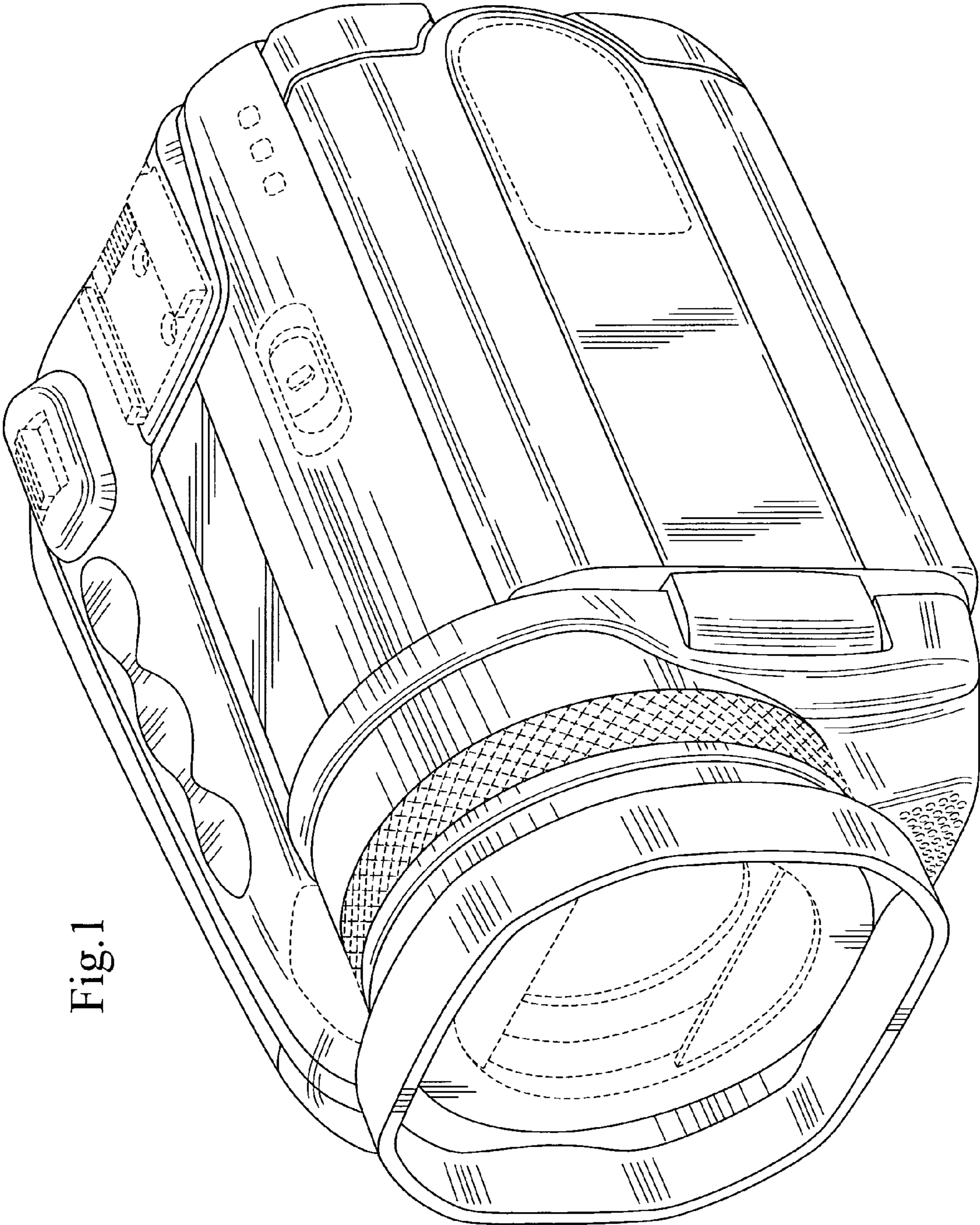


Fig. 1

Fig.2

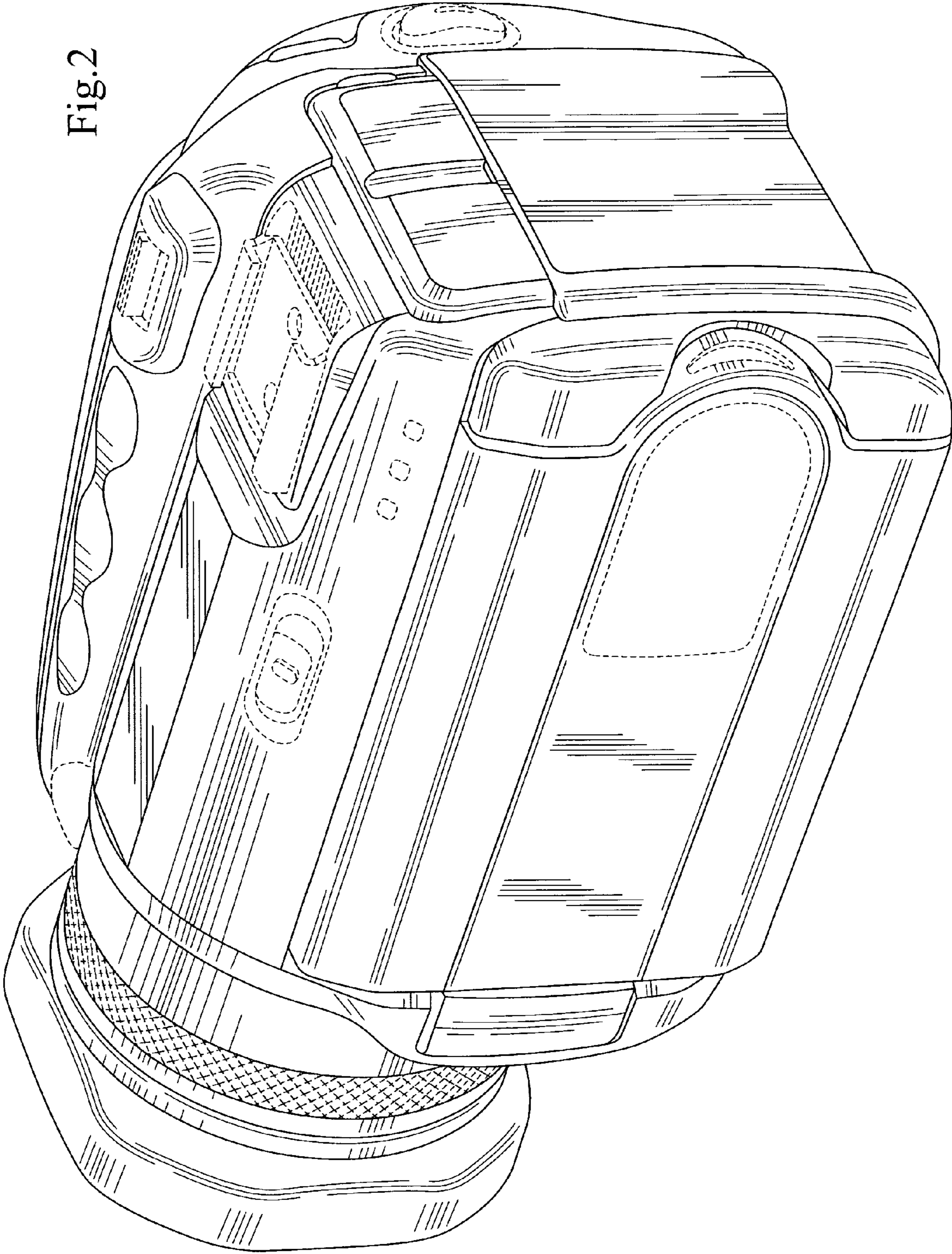


Fig.3

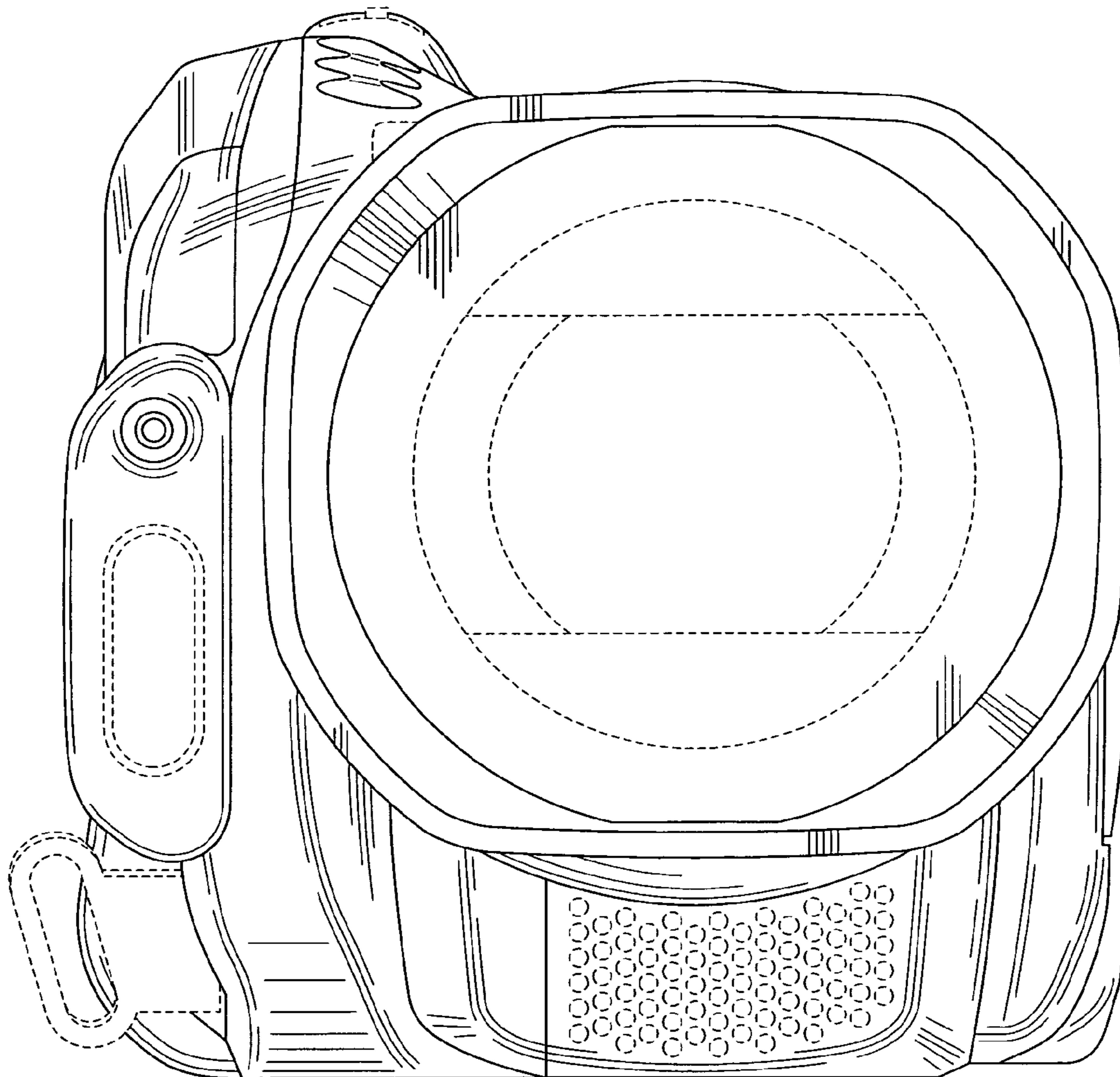


Fig.4

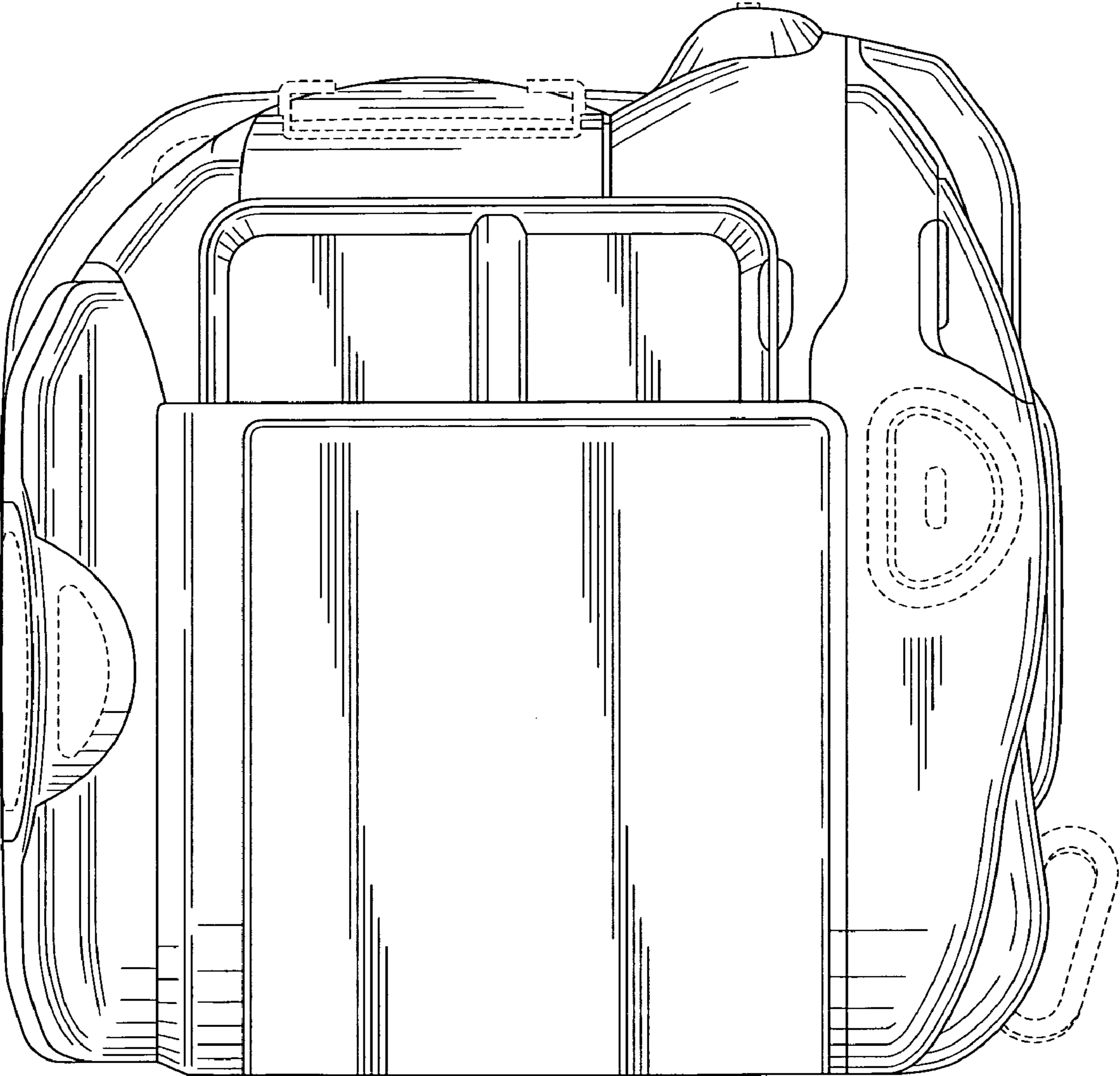


Fig.5

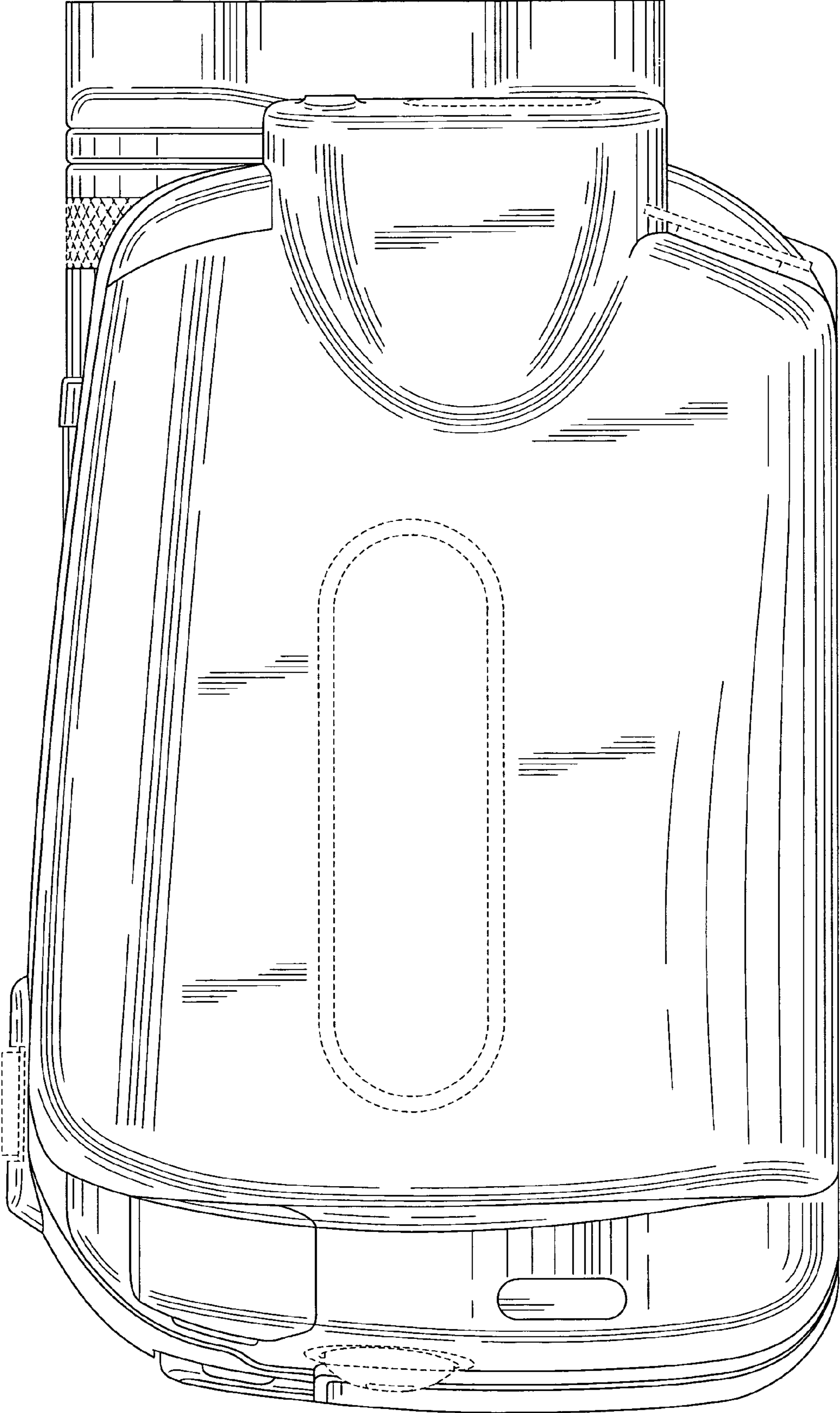


Fig.6

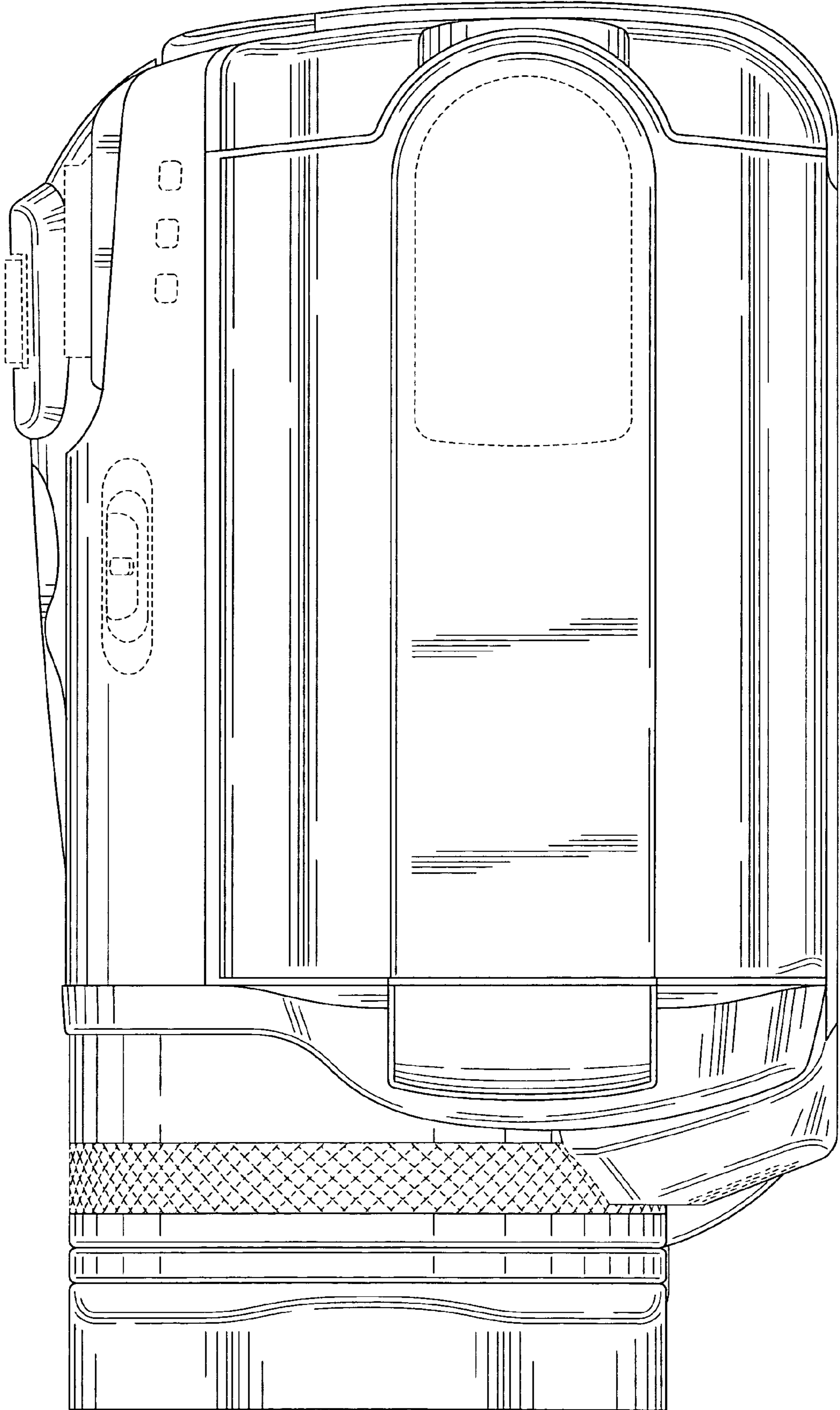


Fig.7

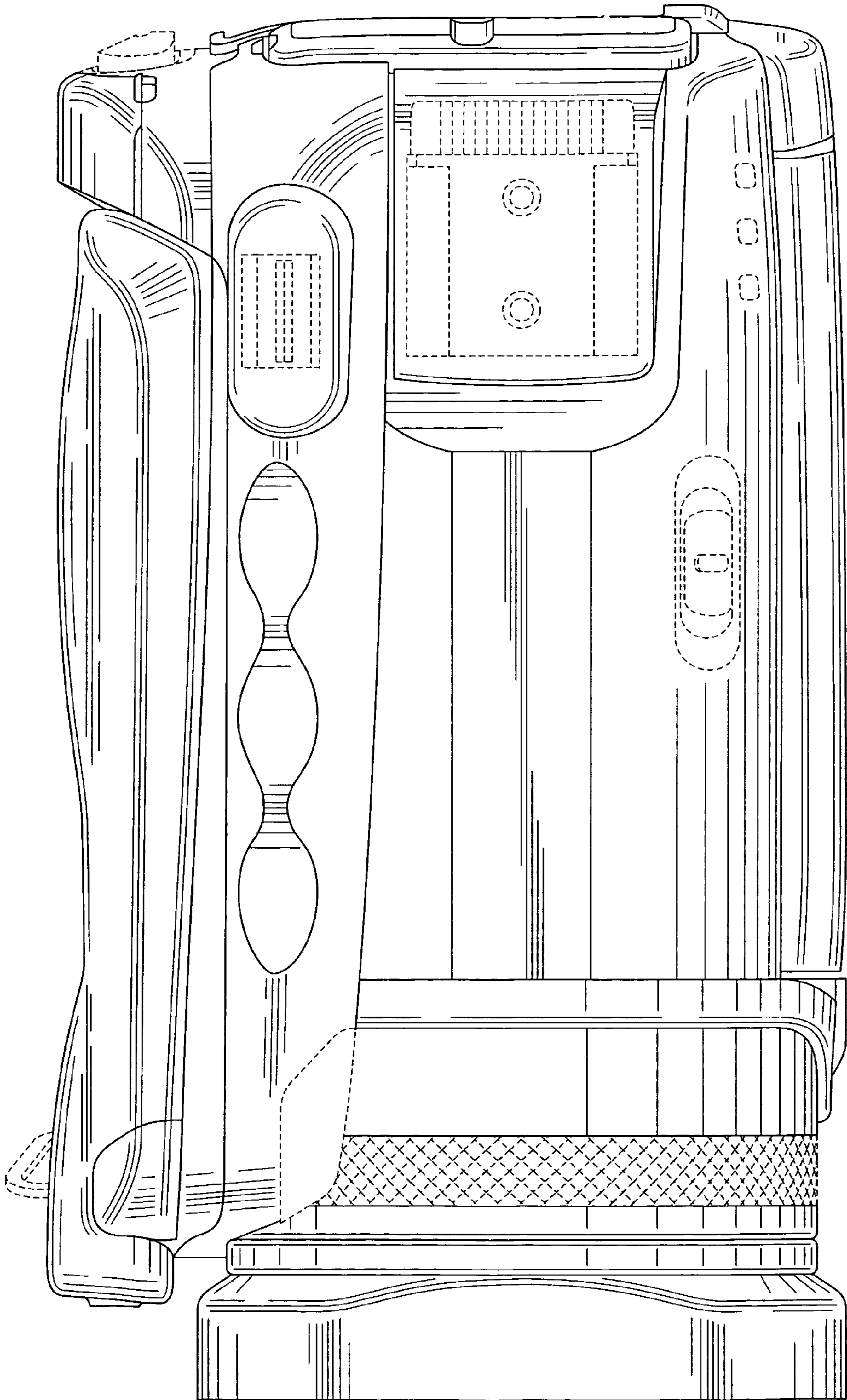
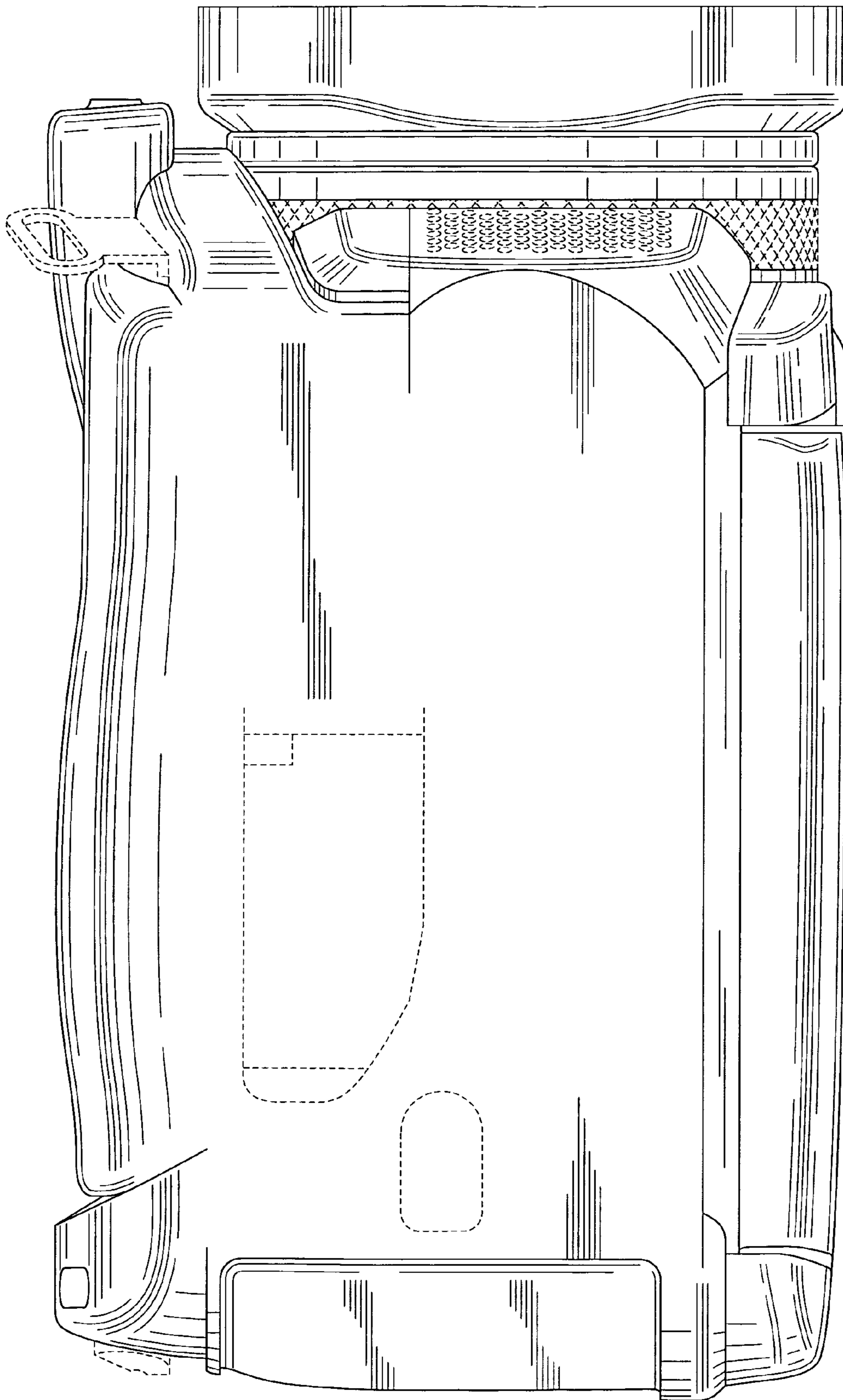




Fig.8



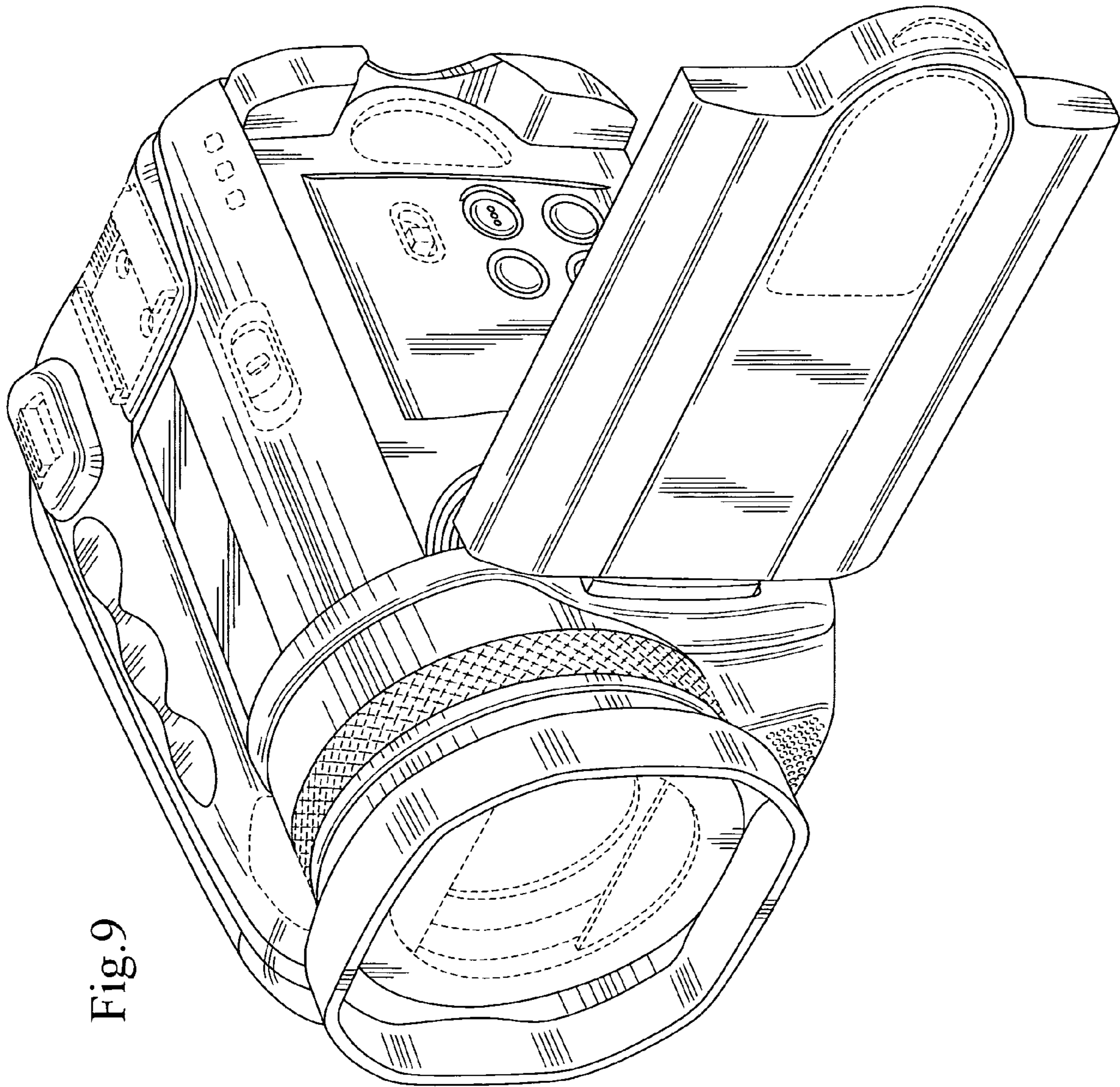


Fig.9

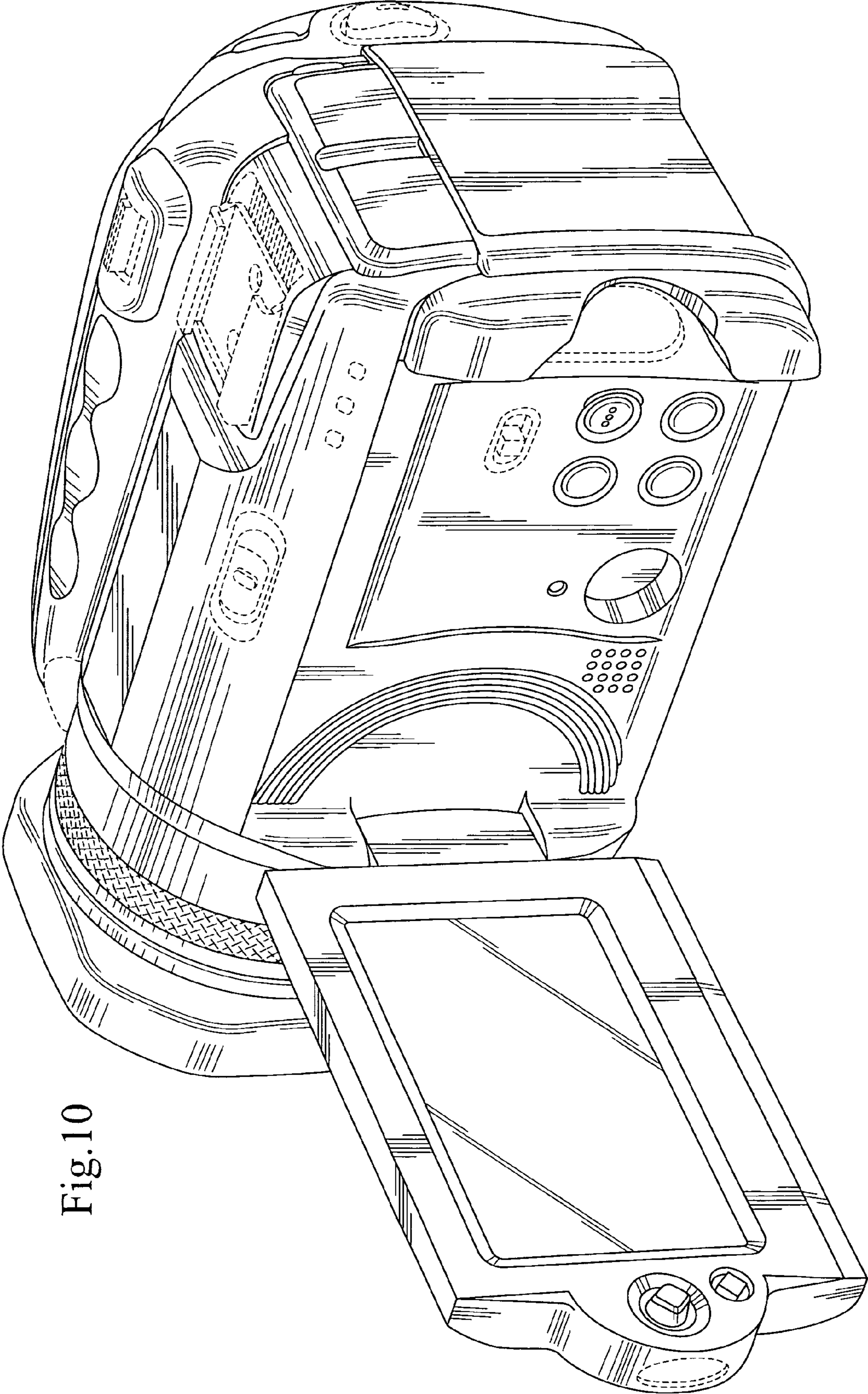


Fig.10