



US00D569404S

(12) **United States Design Patent**  
**Schueren et al.**

(10) **Patent No.:** **US D569,404 S**

(45) **Date of Patent:** **\*\* May 20, 2008**

(54) **SERVO DRIVE**

(75) Inventors: **Volker Schueren**, Marktheidenfeld (DE); **Alexander Seufert**, Unterpleichfeld (DE)

(73) Assignee: **Bosch Rexroth AG**, Stuttgart (DE)

(\*\*) Term: **14 Years**

(21) Appl. No.: **29/250,510**

(22) Filed: **Nov. 17, 2006**

(51) **LOC (8) Cl.** ..... **15-09**

(52) **U.S. Cl.** ..... **D15/148**

(58) **Field of Classification Search** ..... D15/1, D15/5, 143, 148, 149; 74/89.15; 475/4, 475/7, 149, 176, 178, 661, 665 C  
See application file for complete search history.

(56) **References Cited**

**U.S. PATENT DOCUMENTS**

4,484,496 A \* 11/1984 Weis ..... 475/4  
4,598,598 A \* 7/1986 Kring et al. .... 74/89.28  
4,916,375 A \* 4/1990 Kurakake et al. .... 318/630  
D542,682 S \* 5/2007 Waki ..... D15/143

D543,565 S \* 5/2007 Kopecki ..... D15/149  
2006/0105877 A1 \* 5/2006 Bornchen et al. .... 475/149

\* cited by examiner

*Primary Examiner*—Sandra Snapp

*Assistant Examiner*—Patricia Palasik

(74) *Attorney, Agent, or Firm*—Michael J. Striker

(57) **CLAIM**

The ornamental design for a servo drive, as shown and described.

**DESCRIPTION**

FIG. 1 is a side view of a servo drive showing our new design;

FIG. 2 is an end view thereof;

FIG. 3 is the opposite side view of FIG. 1 thereof;

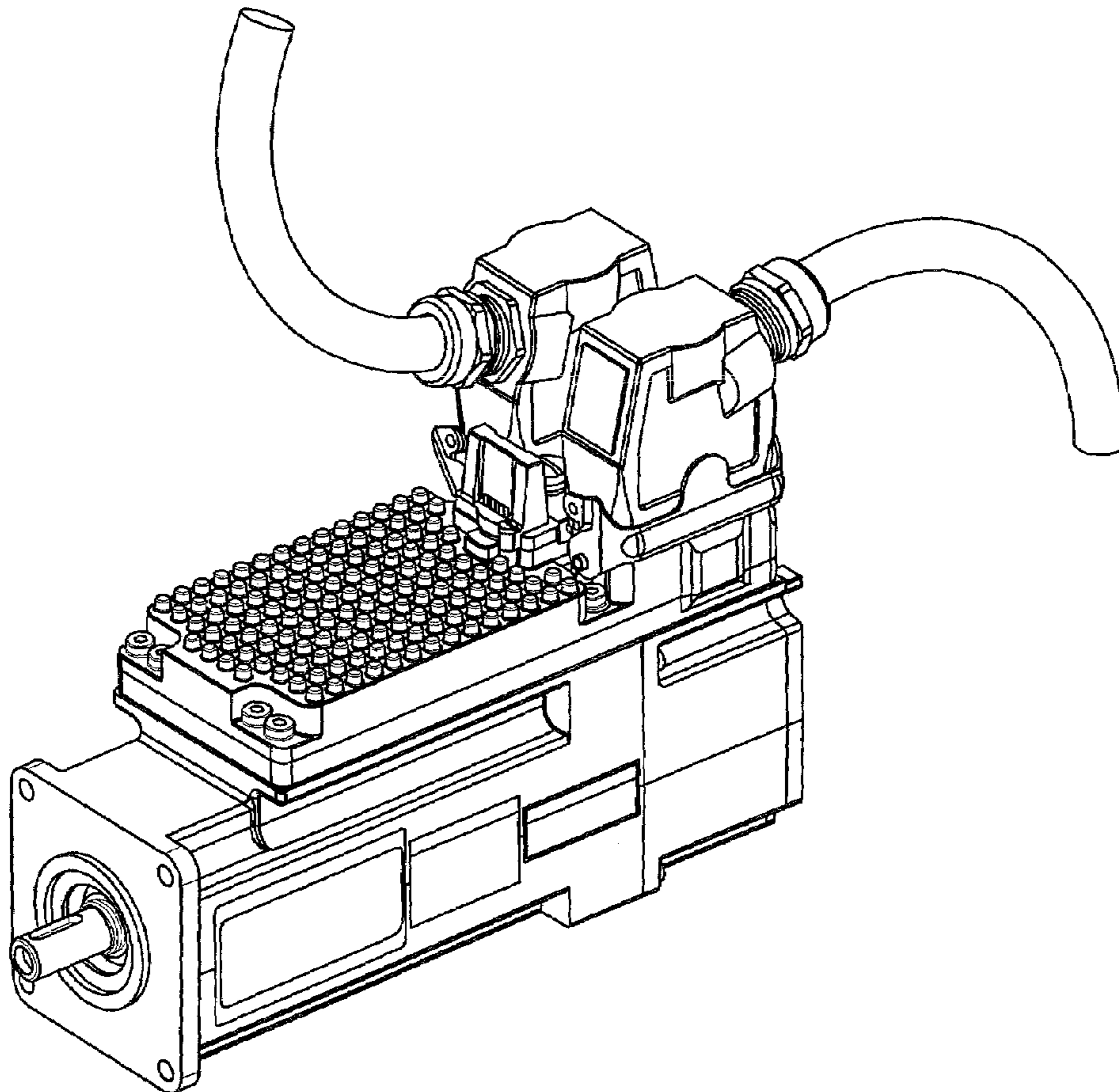
FIG. 4 is a bottom view thereof;

FIG. 5 is the opposite end view of FIG. 2 thereof;

FIG. 6 is a top view thereof; and,

FIG. 7. is a perspective view thereof.

**1 Claim, 4 Drawing Sheets**



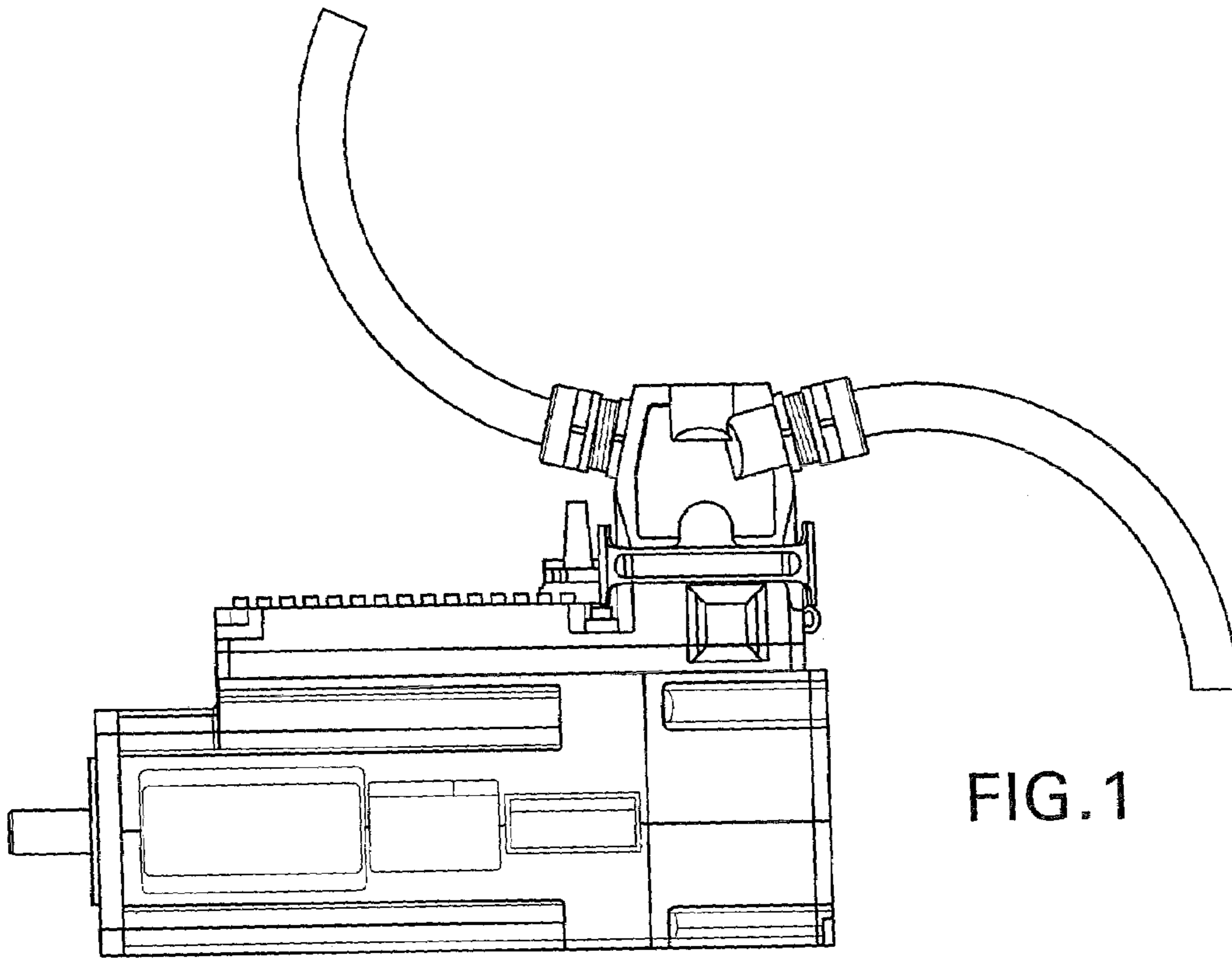


FIG. 1

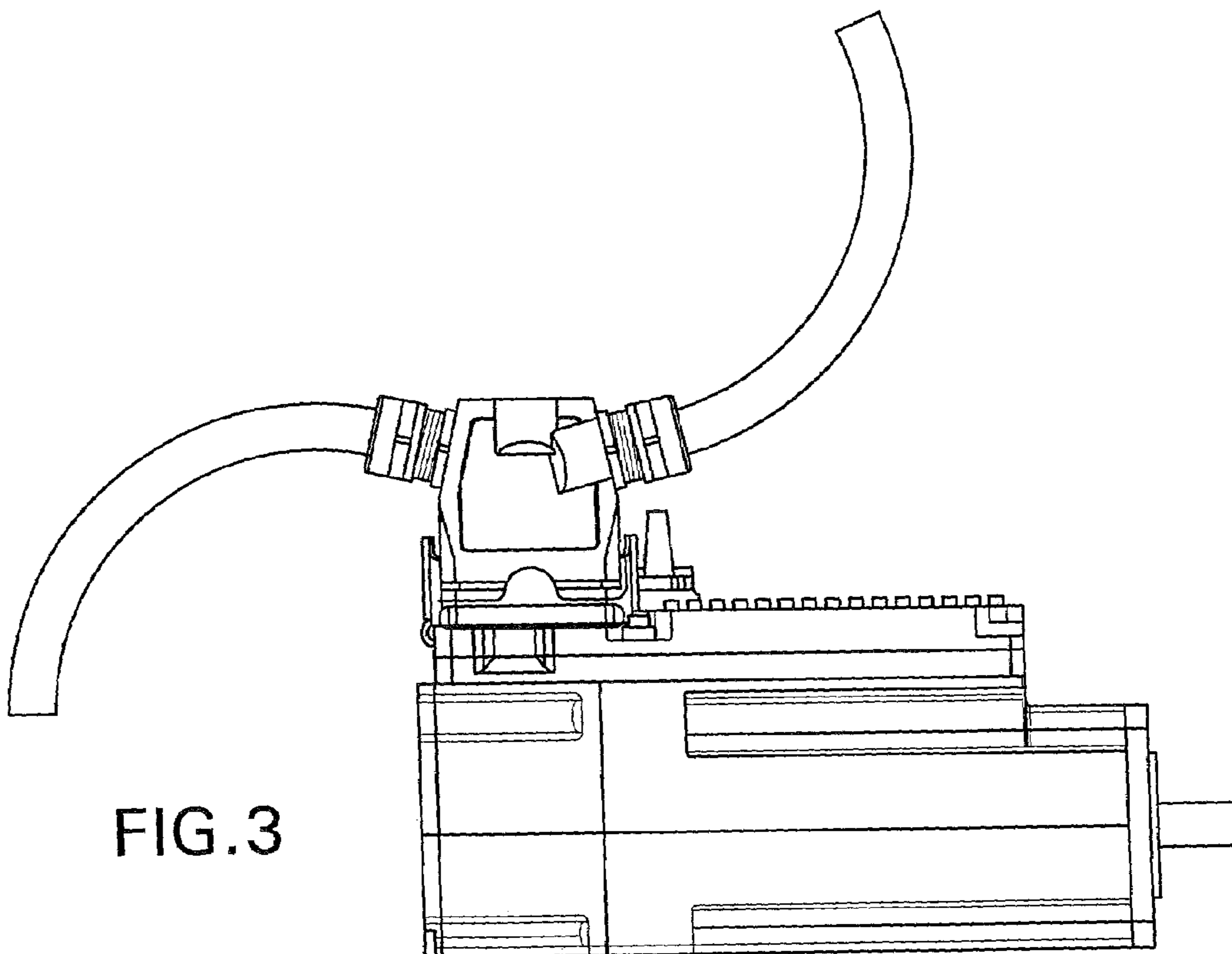


FIG. 3

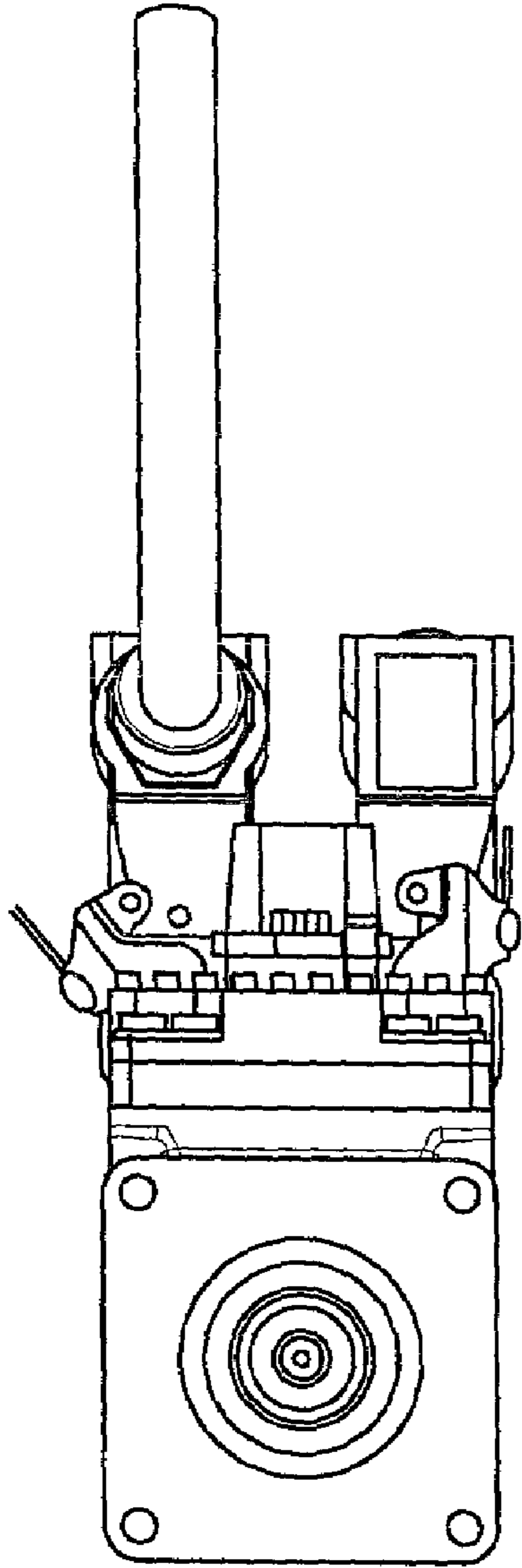


FIG. 2

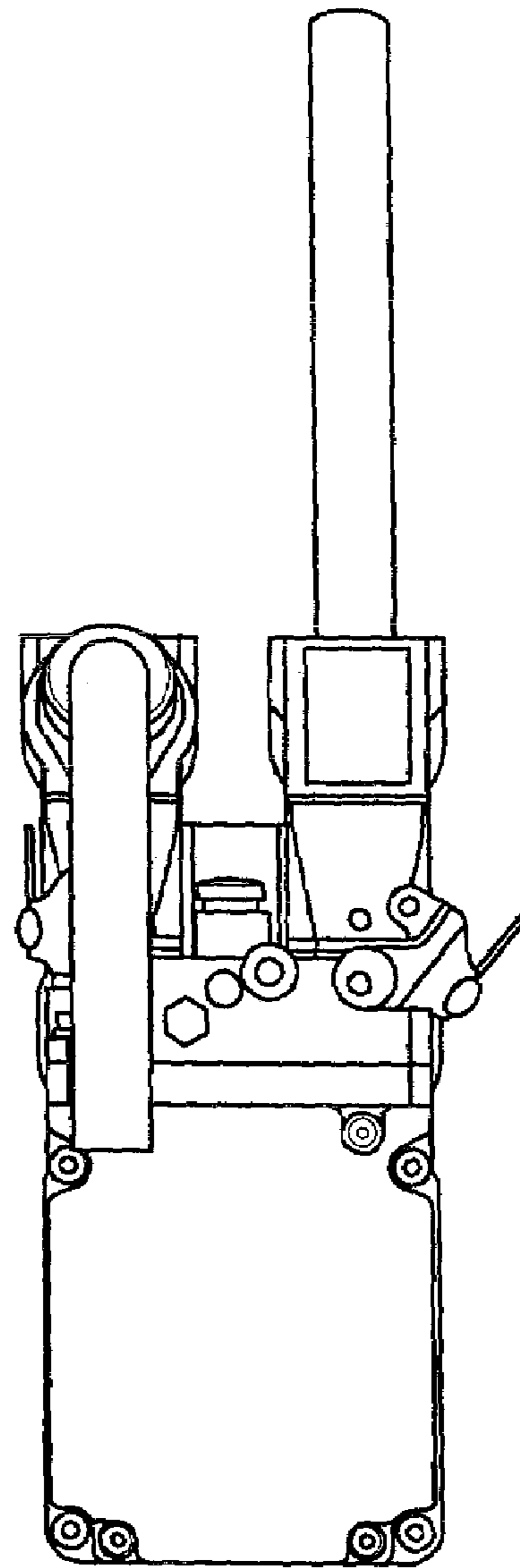


FIG. 5

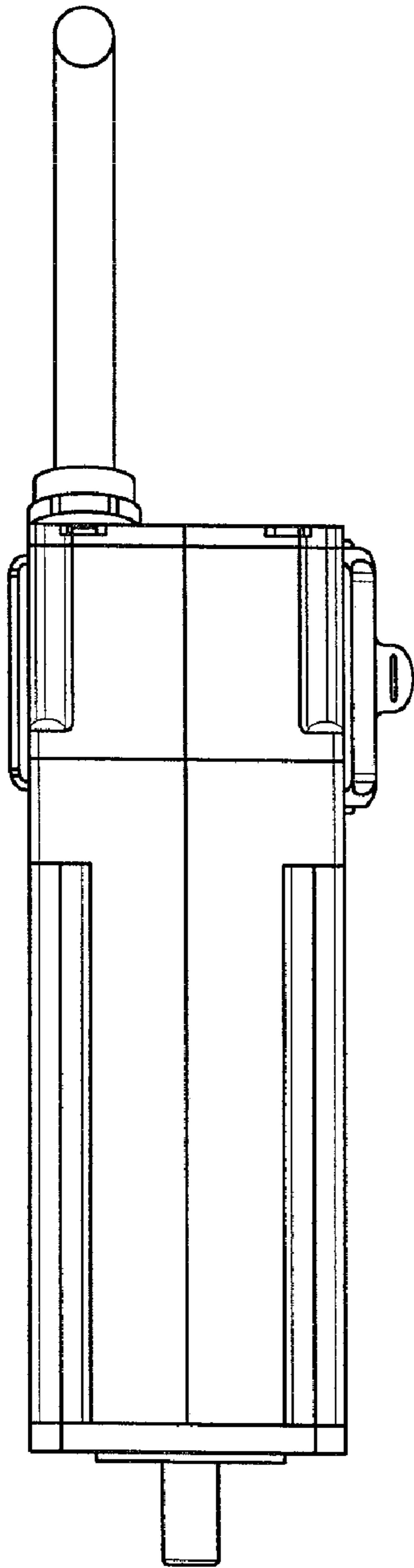


FIG. 4

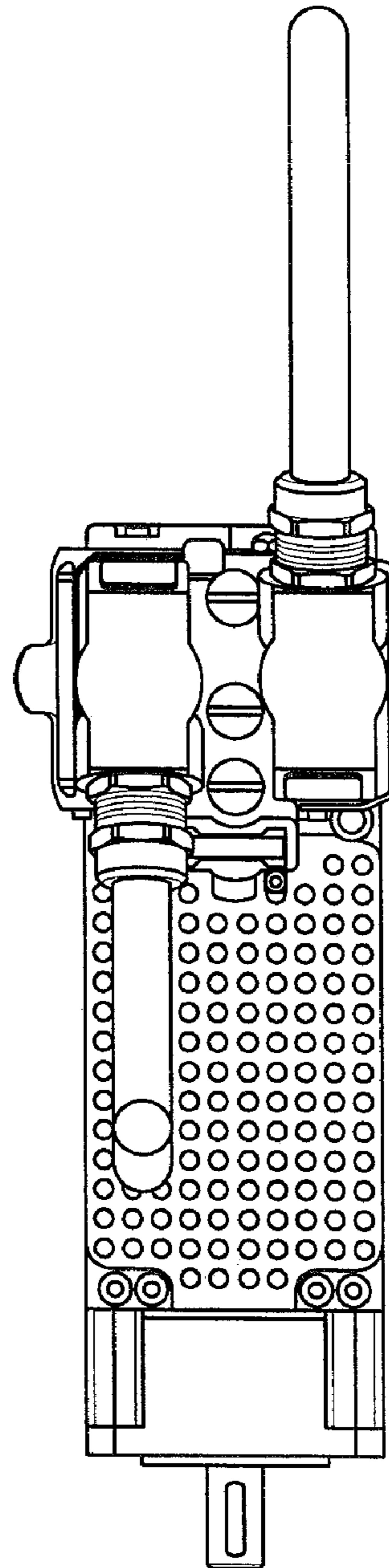


FIG. 6

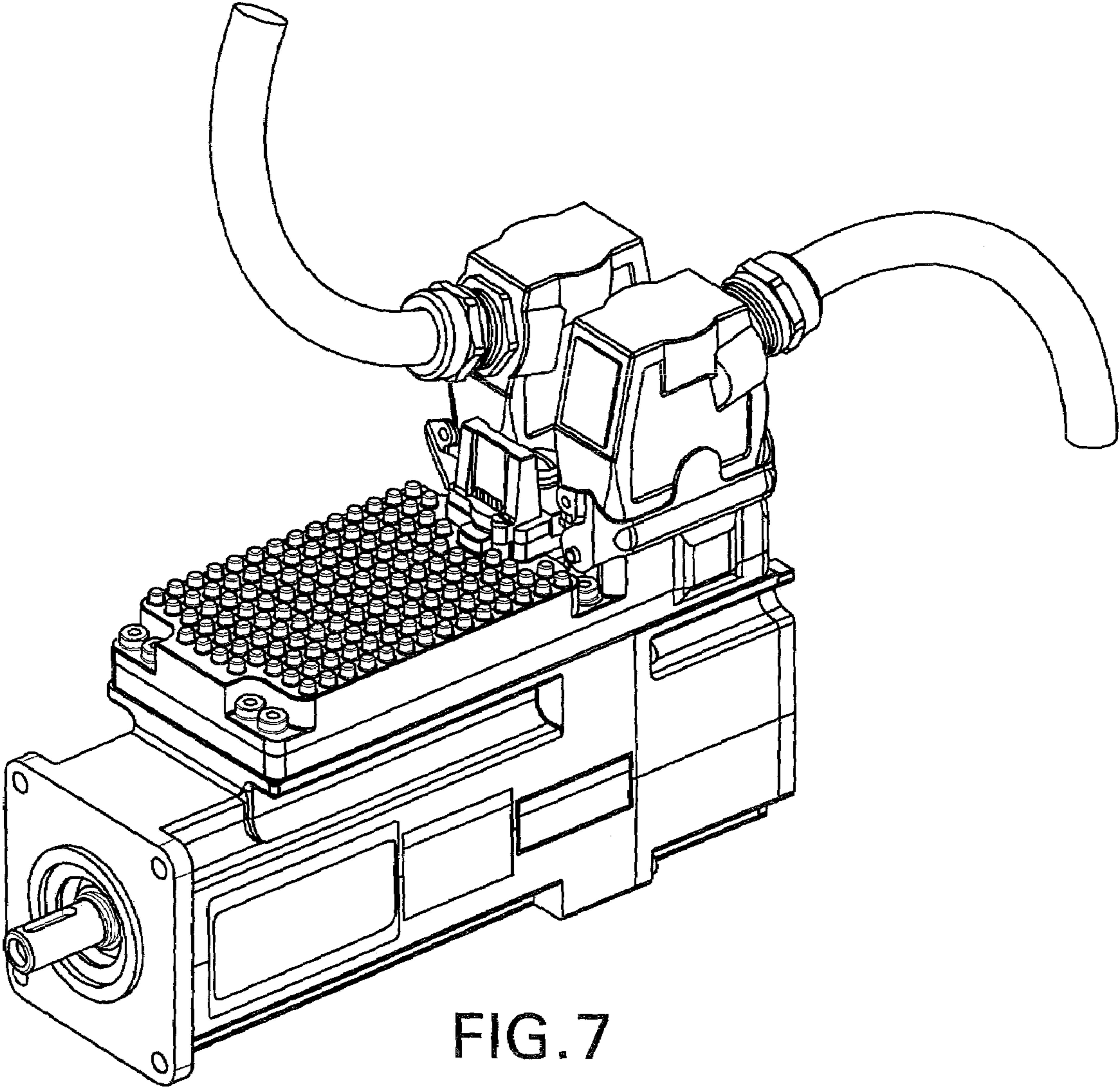


FIG. 7