



US00D569402S

(12) **United States Design Patent**
DiPasquale et al.

(10) **Patent No.:** **US D569,402 S**

(45) **Date of Patent:** **** May 20, 2008**

(54) **TABLE SAW**

(75) Inventors: **Kathy E. DiPasquale**, Baltimore, MD
(US); **Robert P. Welsh**, Phoenix, MD
(US)

(73) Assignee: **Black & Decker Inc.**, Newark, DE
(US)

(**) Term: **14 Years**

(21) Appl. No.: **29/280,331**

(22) Filed: **May 24, 2007**

Related U.S. Application Data

(63) Continuation of application No. 29/249,985, filed on
Oct. 30, 2006, now Pat. No. Des. 545,330.

(51) **LOC (8) Cl.** **15-09**

(52) **U.S. Cl.** **D15/133**

(58) **Field of Classification Search** D15/133;
83/432, 435, 477.2, 478, 522.1, 522.3; 269/166,
269/180, 318

See application file for complete search history.

(56) **References Cited**

U.S. PATENT DOCUMENTS

5,174,349 A * 12/1992 Svetlik et al. 144/286.5
D411,090 S * 6/1999 Chang D8/66
D425,529 S * 5/2000 Svetlik D15/133
D437,605 S * 2/2001 Schoene et al. D15/133
D442,190 S * 5/2001 Chen D15/133

D458,281 S * 6/2002 Ceroll et al. D15/133
D458,947 S * 6/2002 Svetlik et al. D15/133
D461,833 S * 8/2002 Gist et al. D15/133
D512,447 S * 12/2005 Scholz D15/133
6,986,370 B1 * 1/2006 Schoene et al. 144/287
D528,571 S * 9/2006 Welsh D15/133
2006/0144203 A1 * 7/2006 Behne et al. 83/446

* cited by examiner

Primary Examiner—Sandra Snapp

Assistant Examiner—Patricia Palasik

(74) *Attorney, Agent, or Firm*—Adan Ayala

(57) **CLAIM**

The ornamental design for a table saw, as shown and
described.

DESCRIPTION

FIG. 1 is a perspective view of a table saw according to the
invention.

FIG. 2 is a front elevational of the table saw.

FIG. 3 is a rear elevational view of the table saw.

FIG. 4 is a right side view of the table saw.

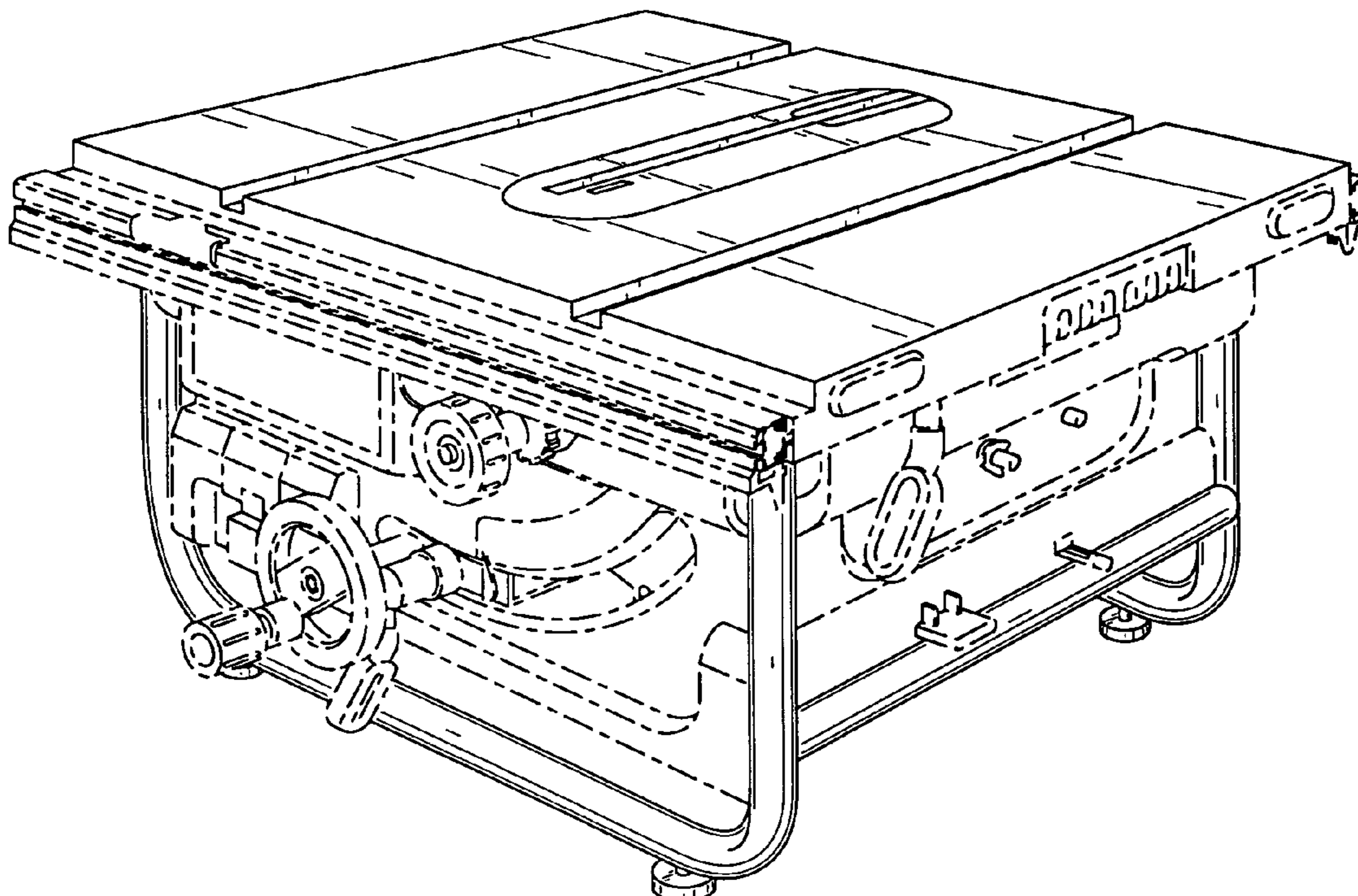
FIG. 5 is a left side view of the table saw.

FIG. 6 is a top plan view of the table saw; and,

FIG. 7 is a bottom plan view of the table saw.

In the above drawings, the broken line showing of portions
of the table saw are for illustrative purposes and form no part
of the claimed design.

1 Claim, 5 Drawing Sheets



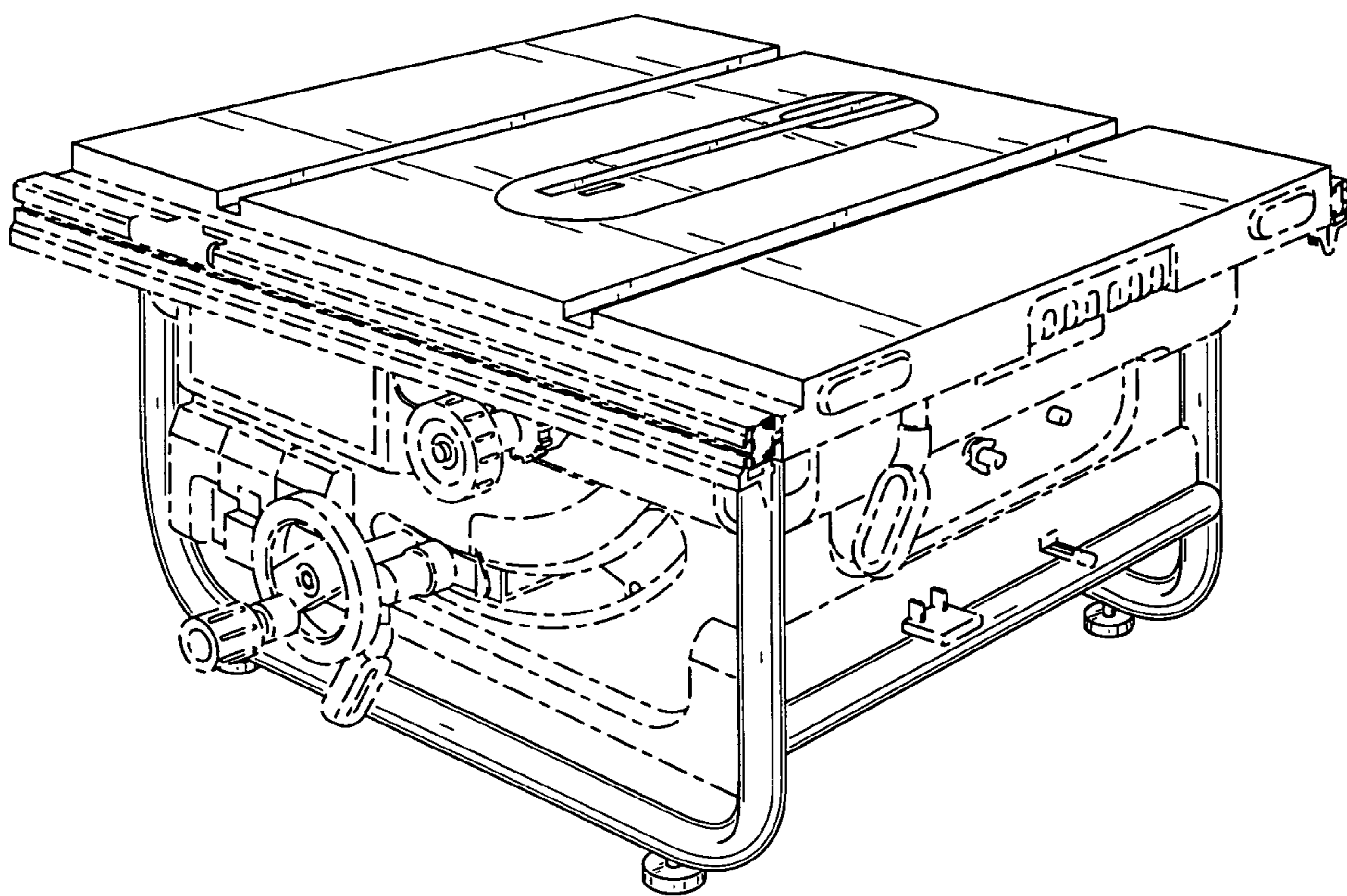


FIG. 1

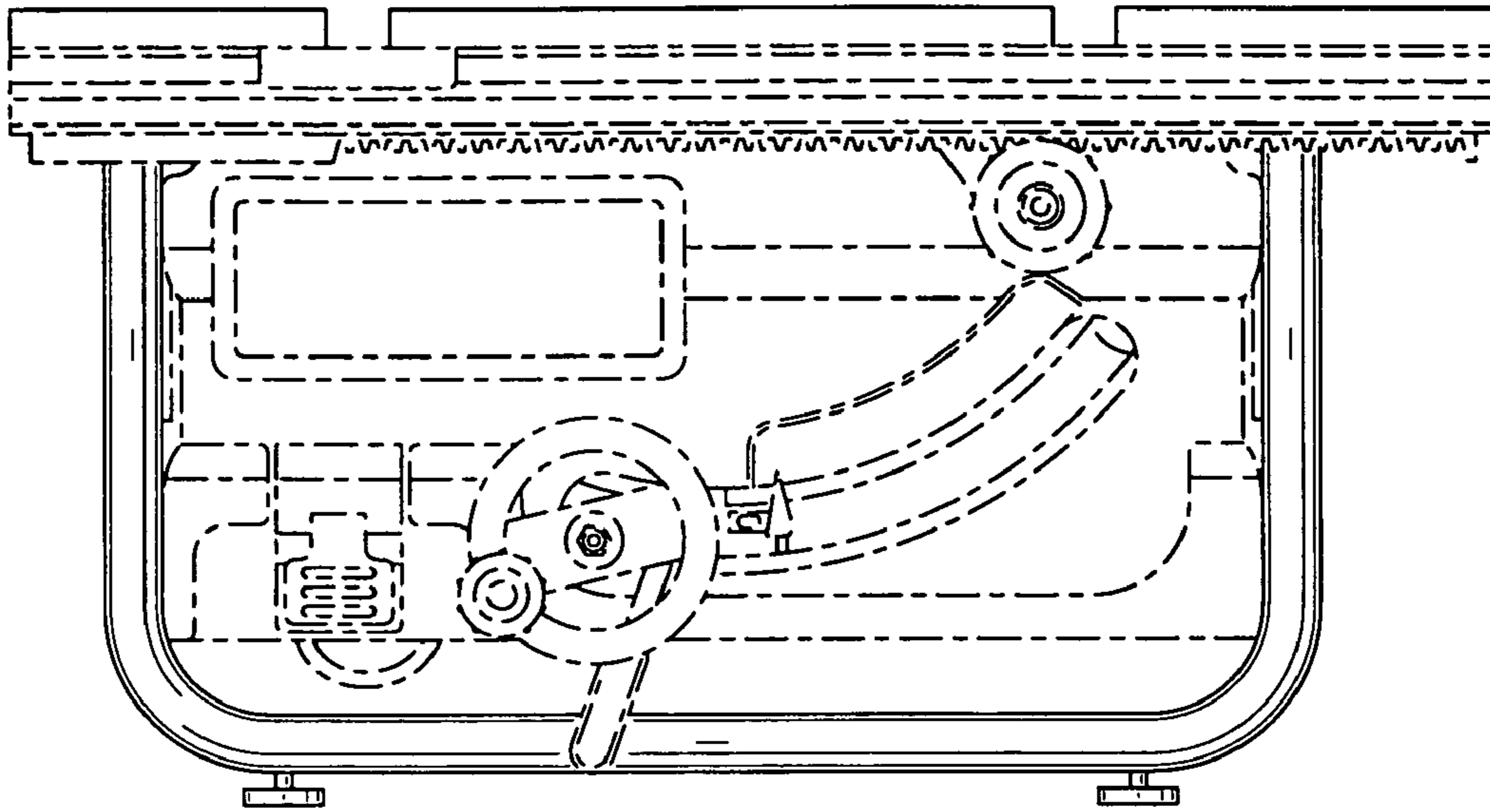


FIG. 2

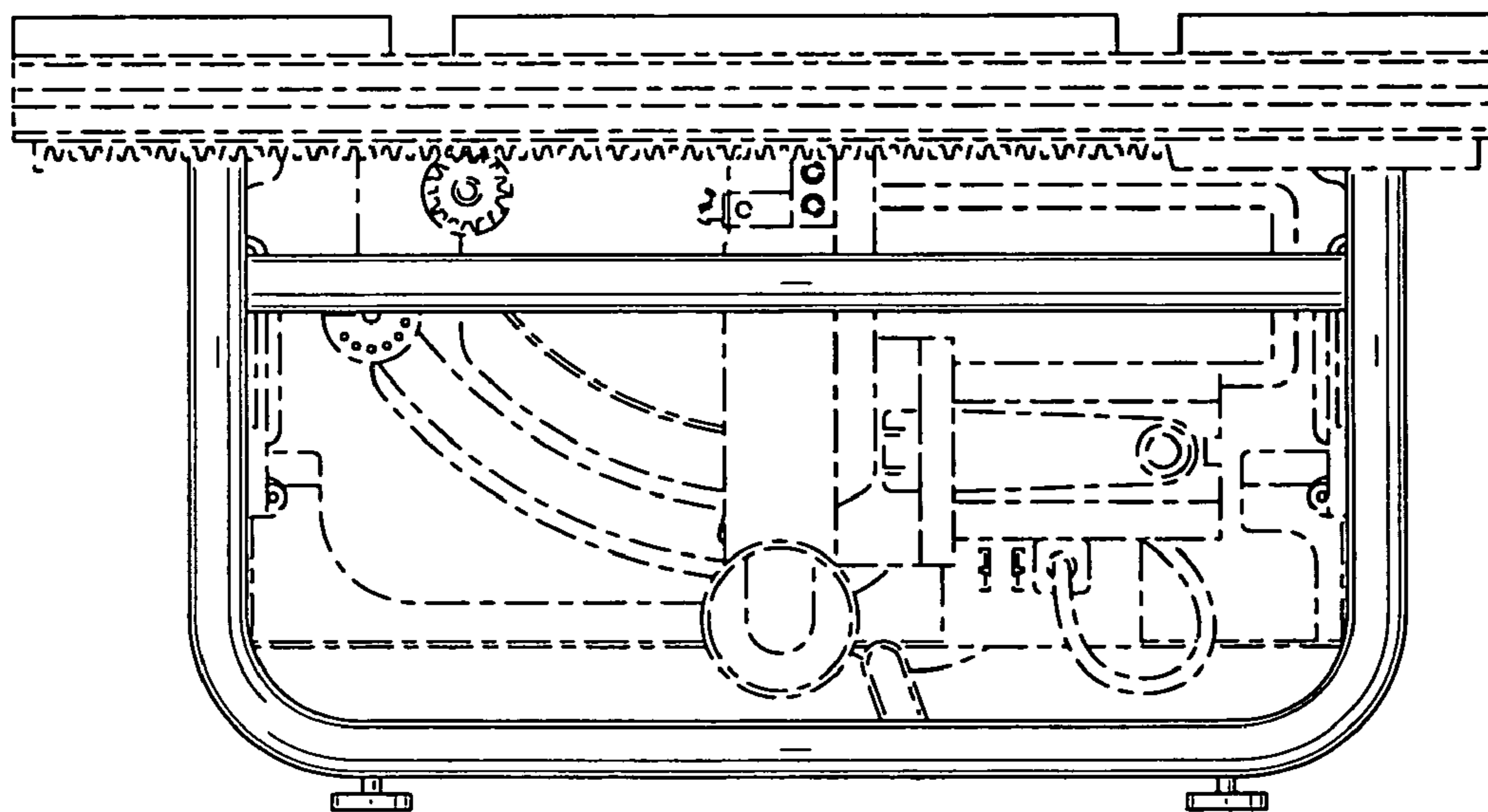


FIG. 3

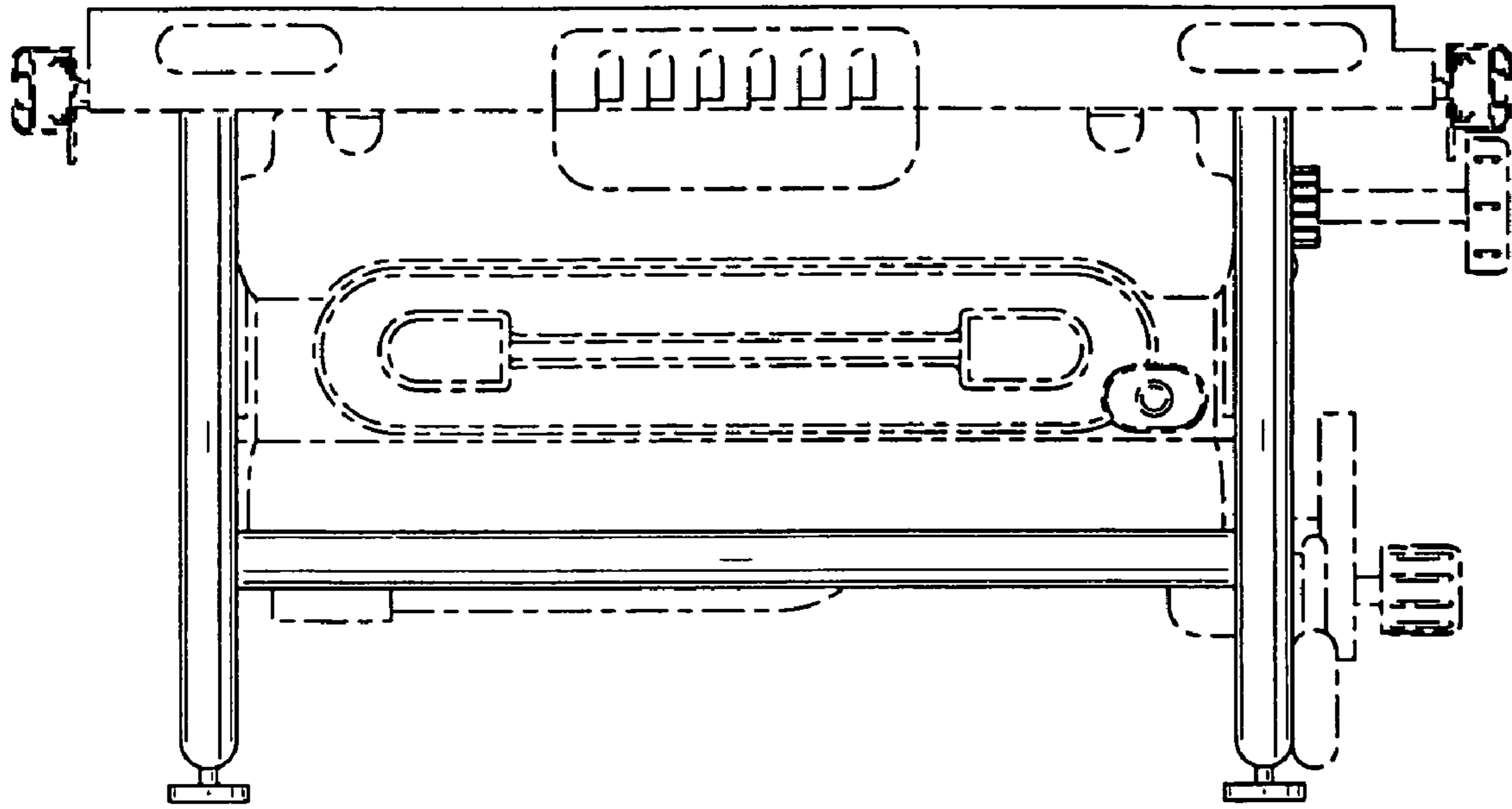


FIG. 4

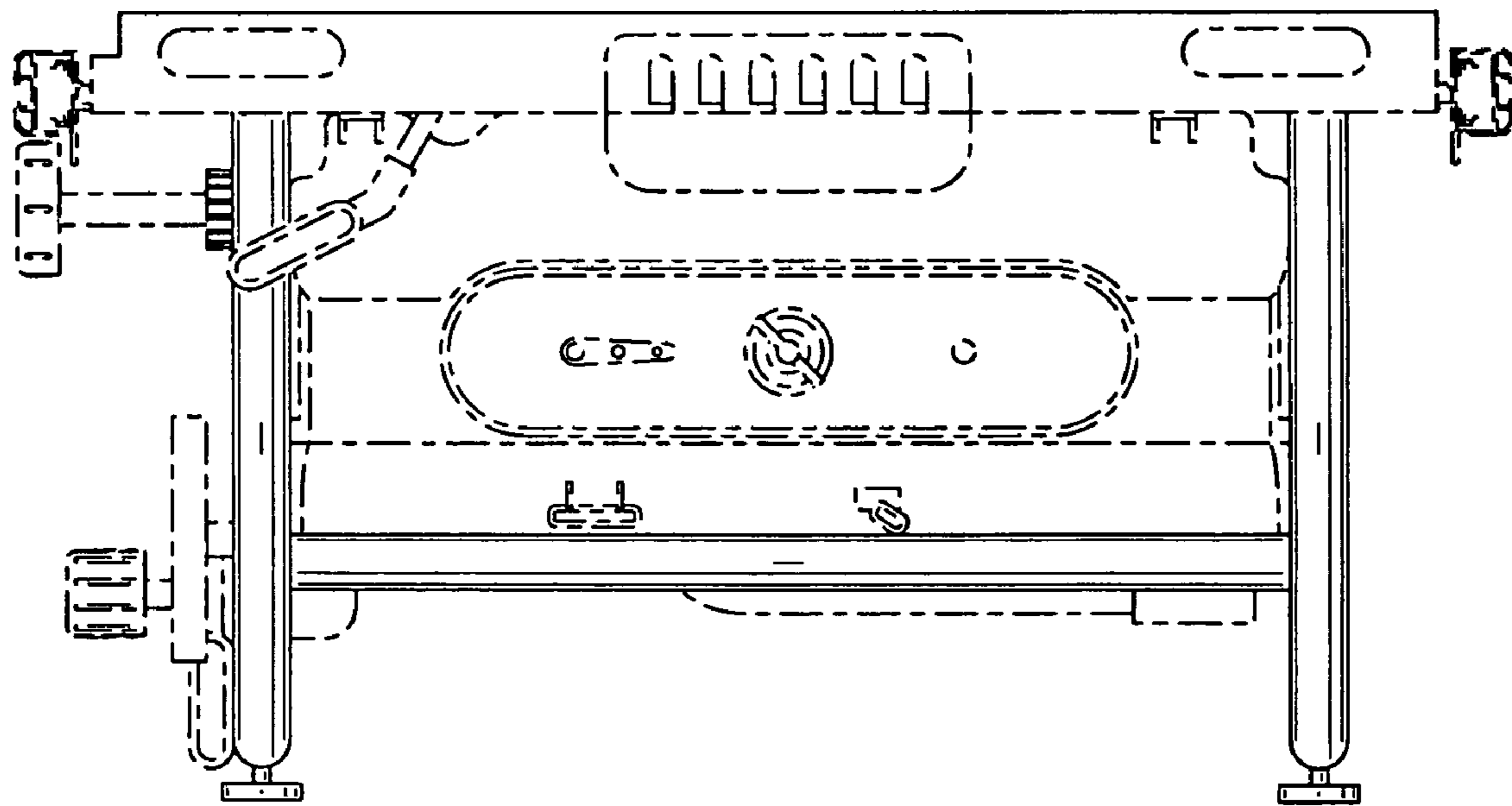


FIG. 5

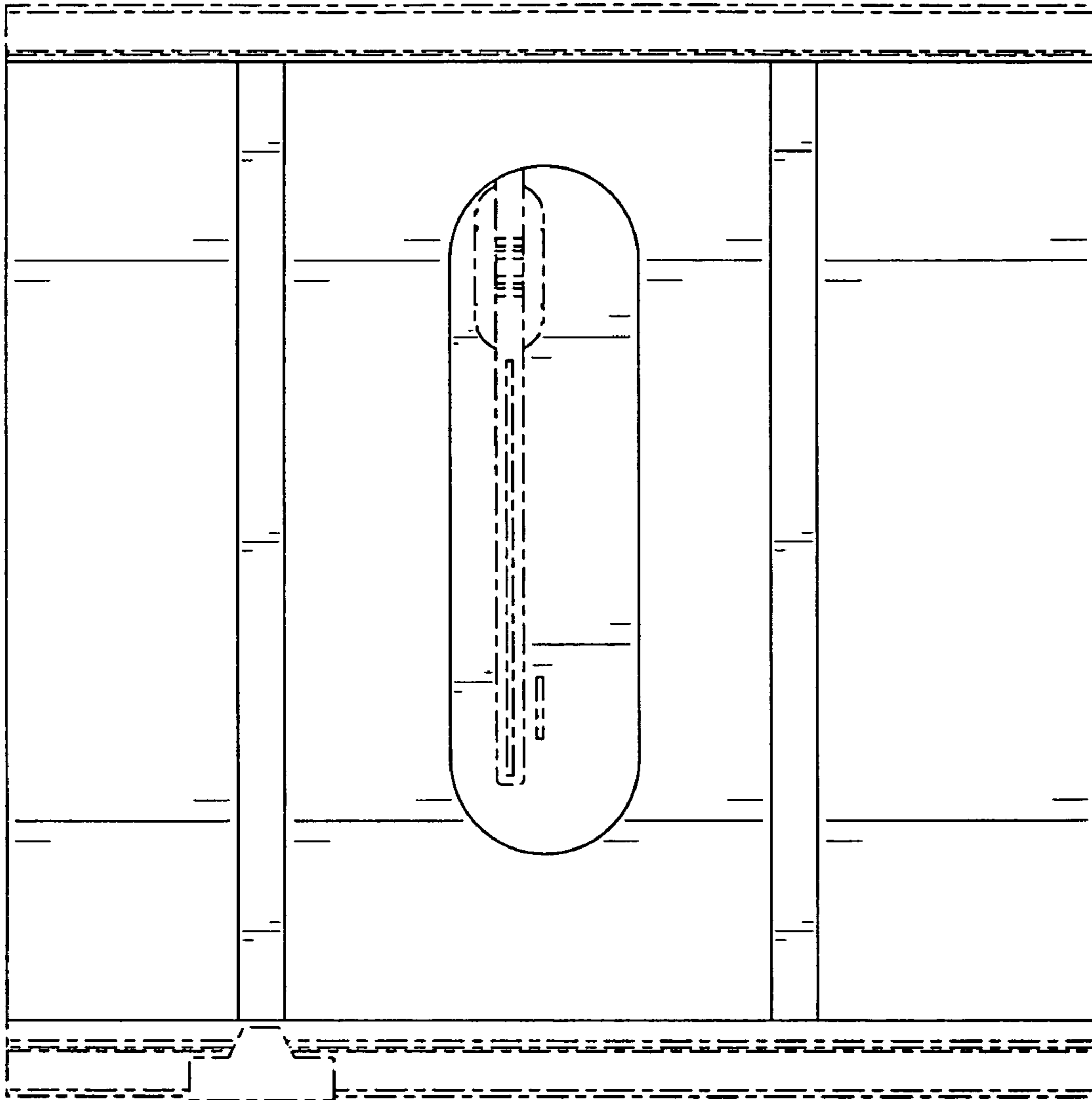


FIG. 6

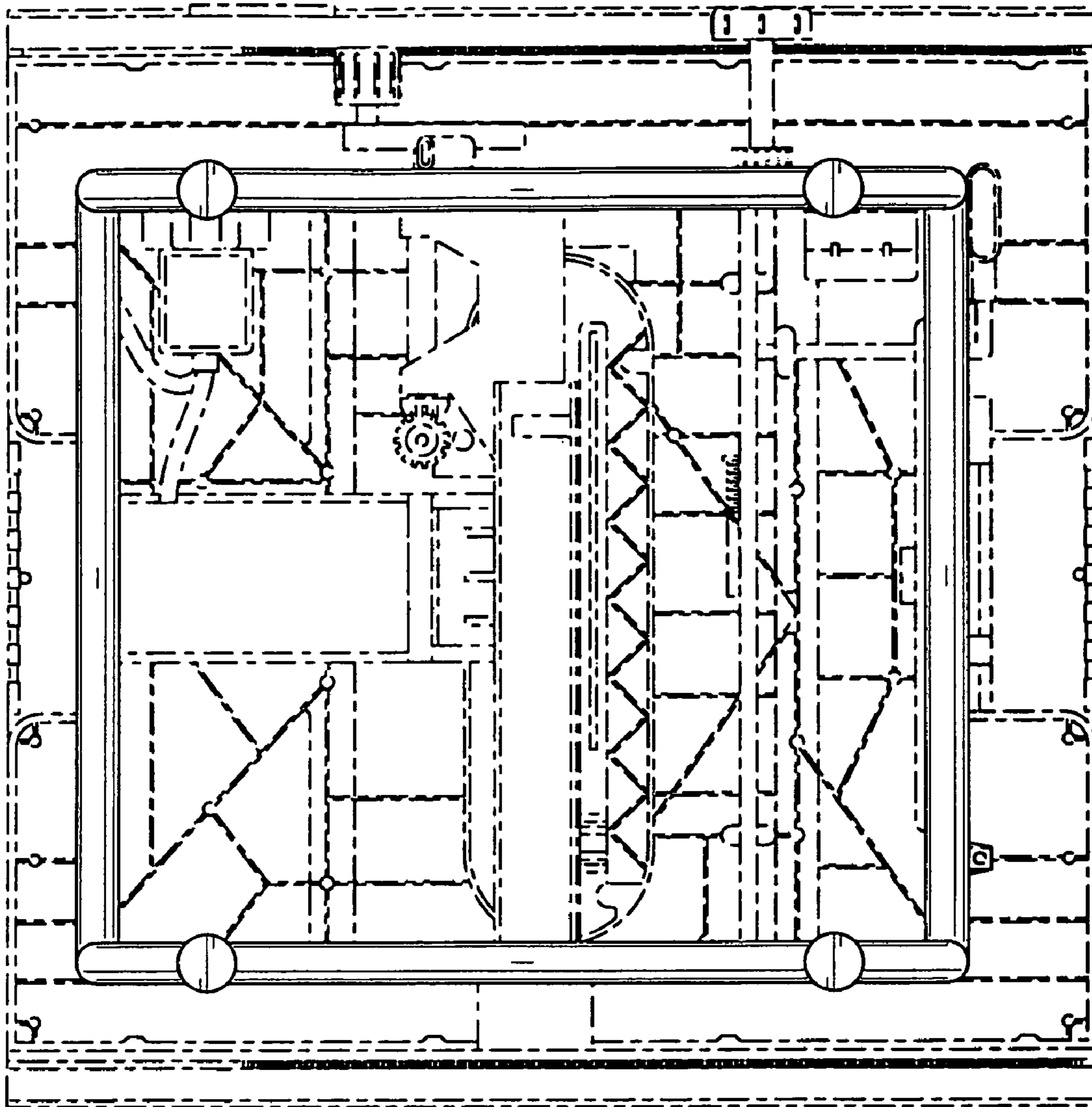


FIG. 7