



US00D569396S

(12) **United States Design Patent**
Bondorff et al.

(10) **Patent No.:** **US D569,396 S**

(45) **Date of Patent:** **** May 20, 2008**

(54) **FREEZER**

(75) Inventors: **Christian Bondorff**, Copenhagen N (DK); **Lasse Lykke Espersen**, Omecourt (FR); **Frank Rousselin**, Voiron (FR)

(73) Assignee: **Societe des Produits Nestle S.A.**, Vevey (CH)

(**) Term: **14 Years**

(21) Appl. No.: **29/278,641**

(22) Filed: **Apr. 4, 2007**

(30) **Foreign Application Priority Data**

Oct. 9, 2006 (CH) 133299

(51) **LOC (8) Cl.** **15-07**

(52) **U.S. Cl.** **D15/84; D15/83**

(58) **Field of Classification Search** D15/79, D15/80, 81, 83, 84, 85; 62/3.1, 3.6, 3.63, 62/3.64, 45.1, 236, 246, 293, 331, 352, 371, 62/400-406, 440, 467, 529, 531; 312/236, 312/352, 400-408; D21/524; D6/296, 449, D6/440, 472, 509

See application file for complete search history.

(56) **References Cited**

U.S. PATENT DOCUMENTS

3,759,059 A * 9/1973 Kenyon 62/246
D294,315 S * 2/1988 Jakubowski D6/472
D365,828 S * 1/1996 Lacewell et al. D15/87

D392,295 S * 3/1998 Johnson D15/81
D427,210 S * 6/2000 Tsukida D15/83
D438,404 S * 3/2001 Topper et al. D6/470
D440,432 S * 4/2001 Topper et al. D6/471
D494,383 S * 8/2004 Lee D6/436
D516,591 S * 3/2006 Vanhoof D15/81
D524,330 S * 7/2006 Pedersen et al. D15/81

* cited by examiner

Primary Examiner—Stella M. Reid

Assistant Examiner—Shanda C. Hill

(74) *Attorney, Agent, or Firm*—Bell, Boyd & Lloyd LLP

(57) **CLAIM**

The ornamental design for a freezer, as shown and described herein.

DESCRIPTION

FIG. 1 is a front perspective view of the first embodiment of a freezer showing our new design;

FIG. 2 is a front elevation view of FIG. 1;

FIG. 3 is a top plan view of FIG. 1;

FIG. 4 is a left side elevation view of FIG. 1, wherein the right side elevation view is a mirror image;

FIG. 5 is a front perspective view of the second embodiment of the freezer showing our new design;

FIG. 6 is a front elevation view of FIG. 1;

FIG. 7 is a top plan view of FIG. 1; and,

FIG. 8 is a left side elevation view of FIG. 1, wherein the right side elevation view is a mirror image.

1 Claim, 4 Drawing Sheets

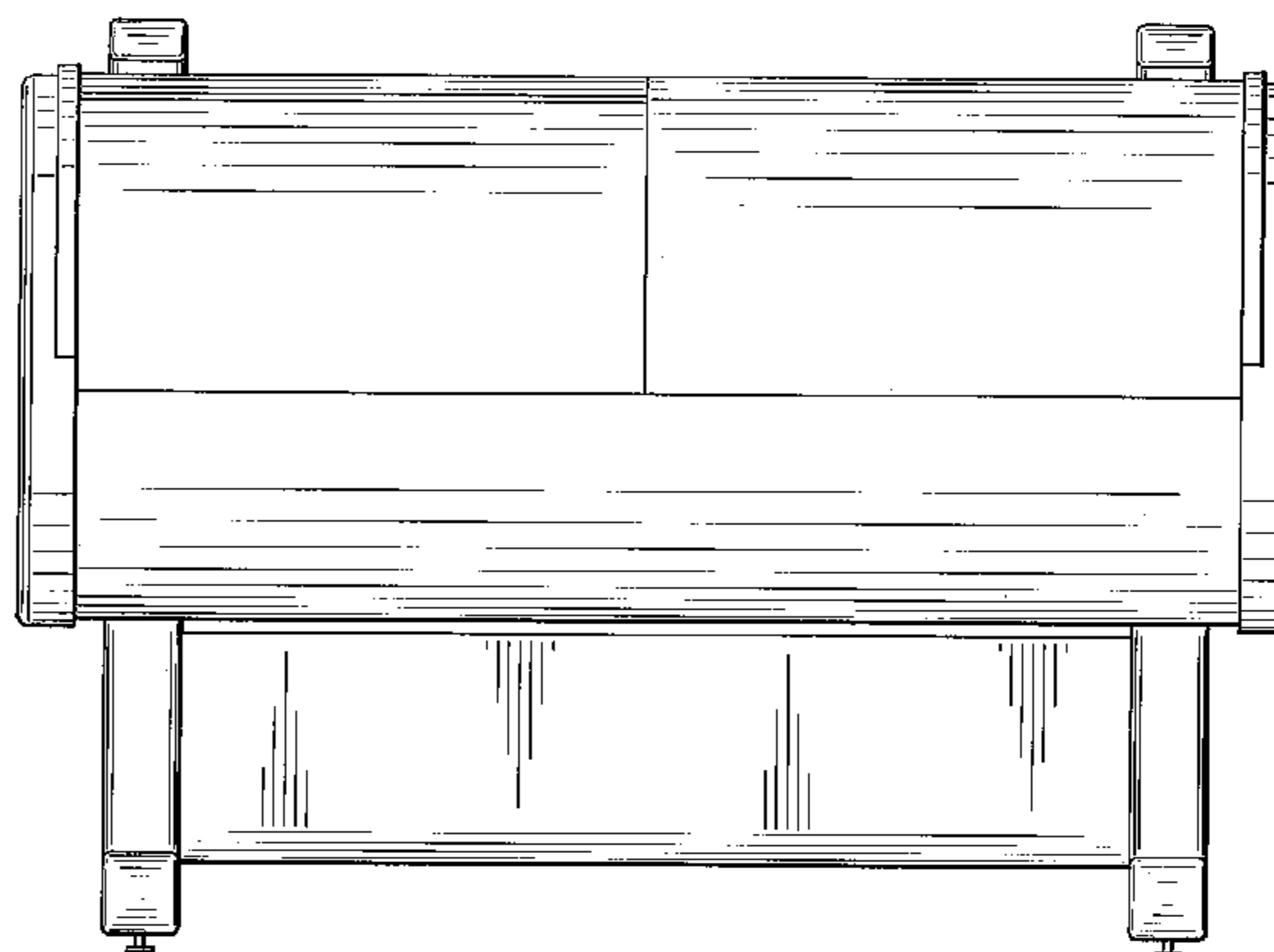
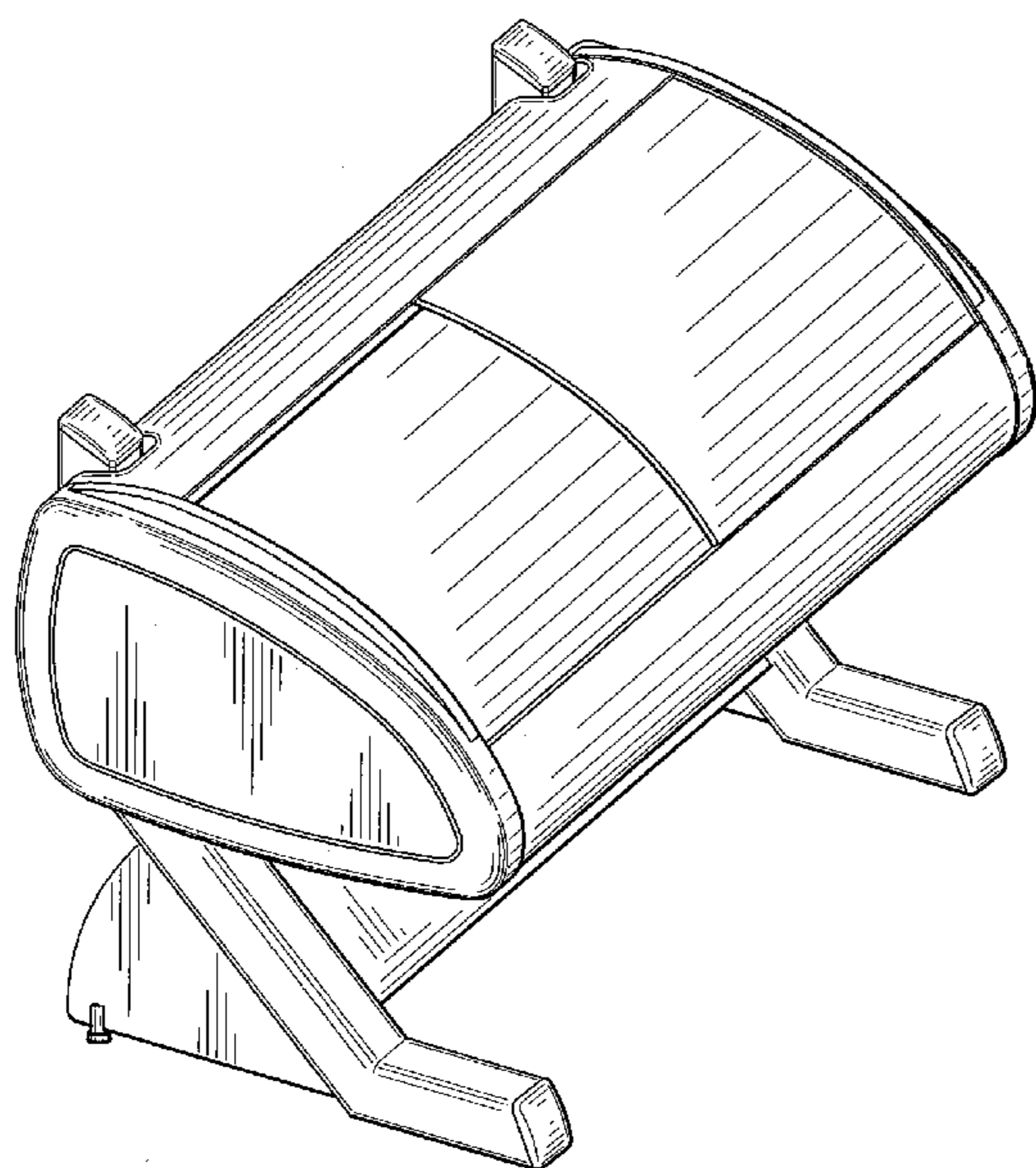


FIG.1

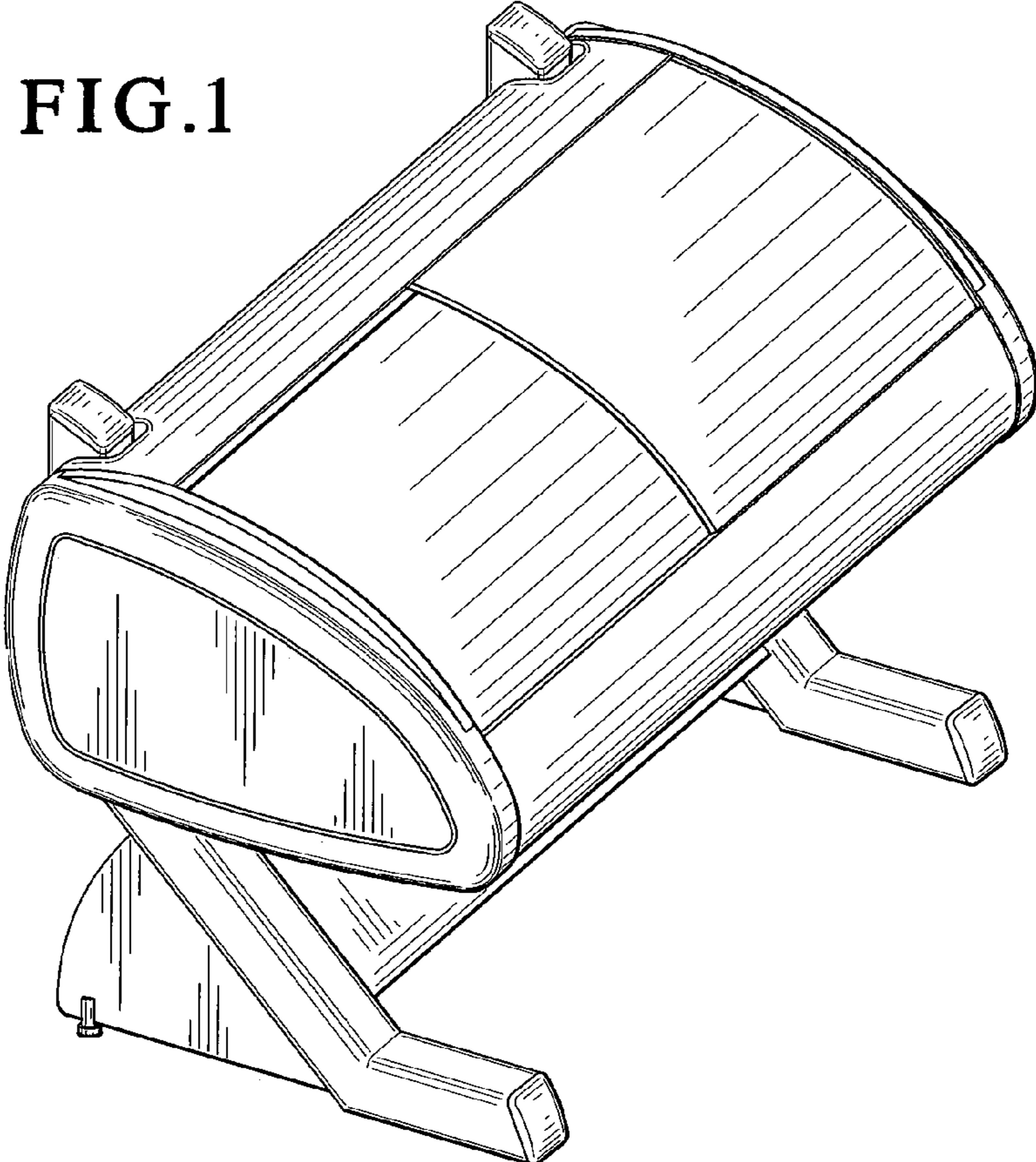


FIG.2

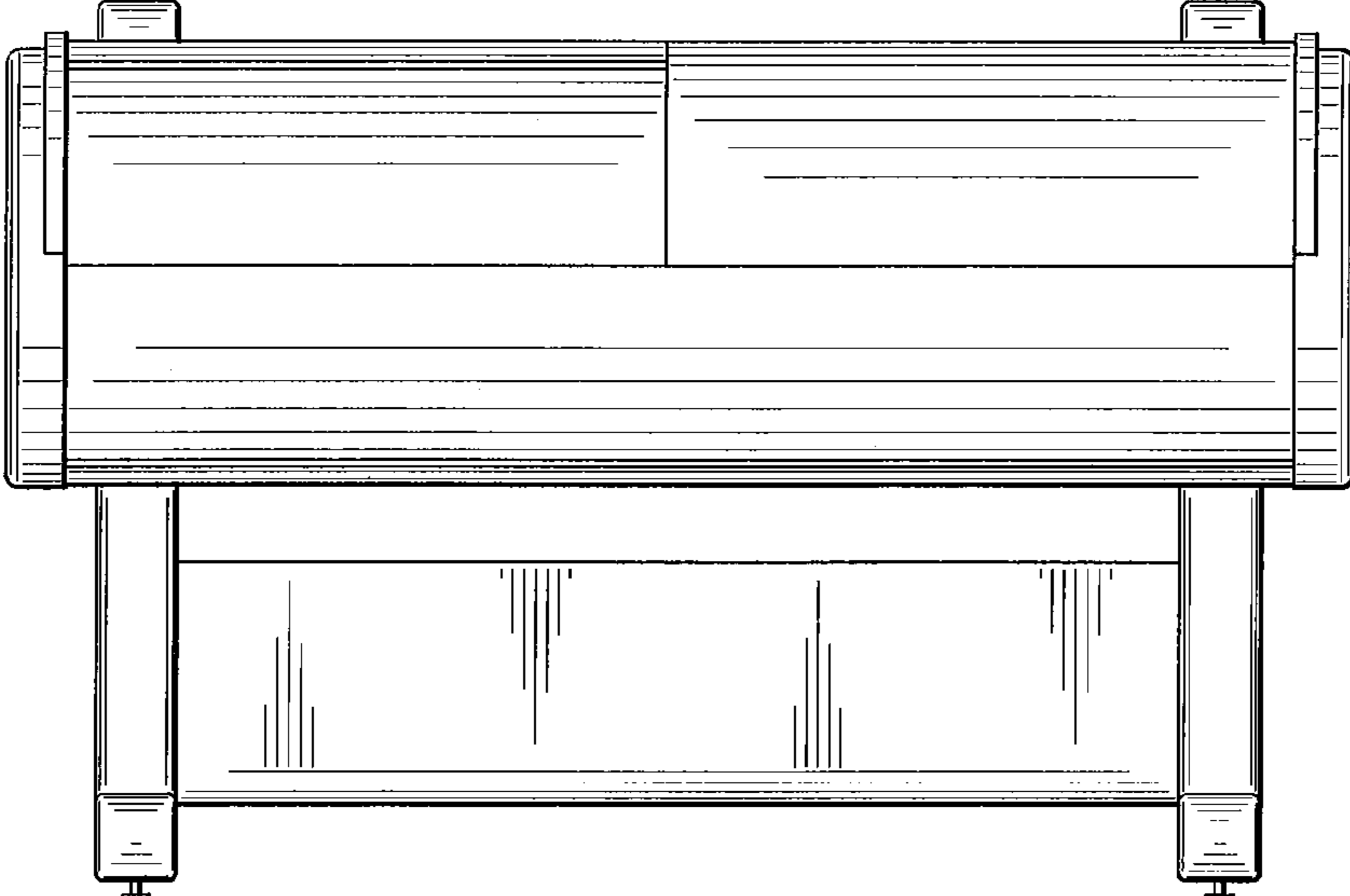


FIG.3

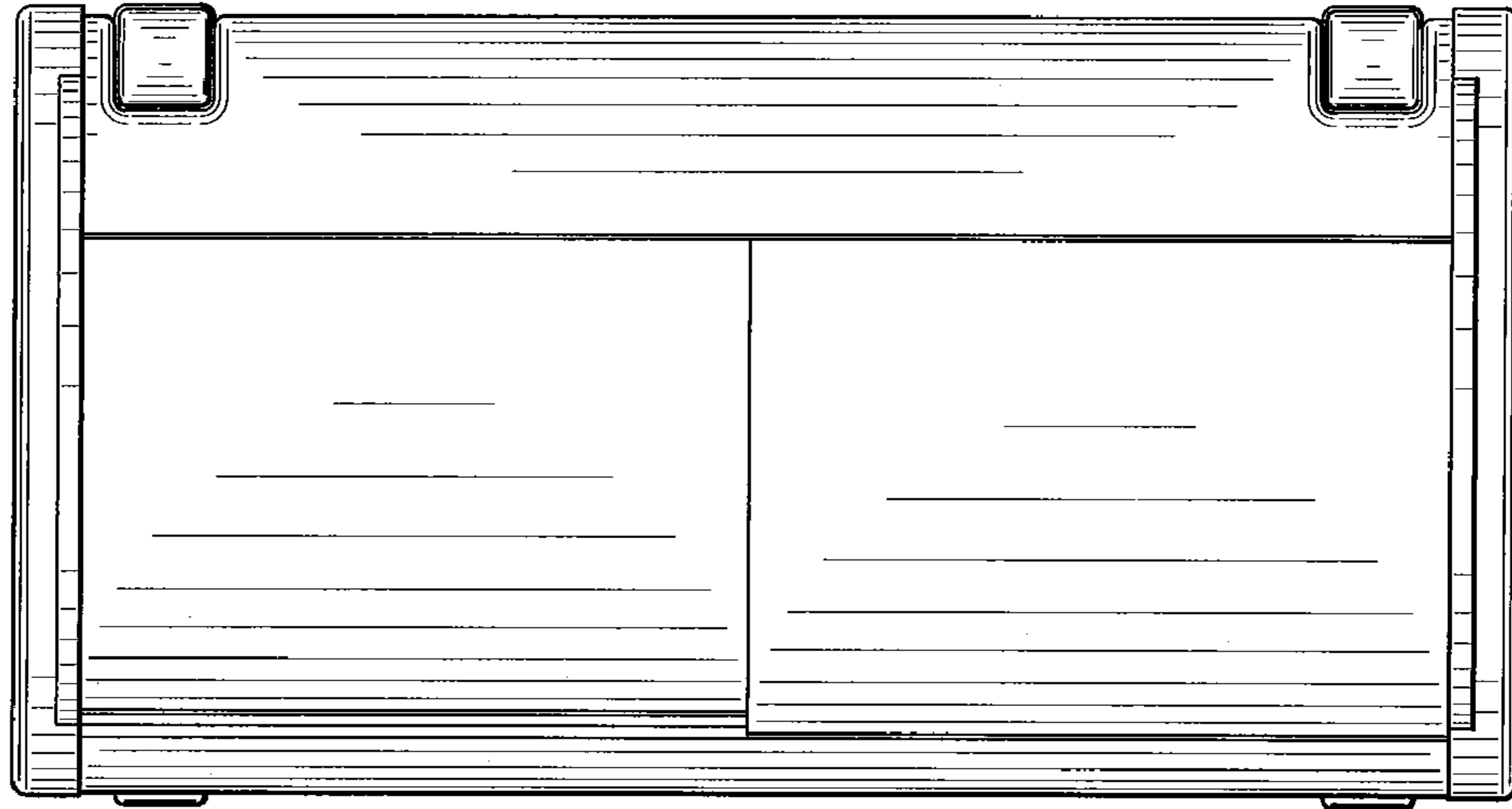


FIG.4

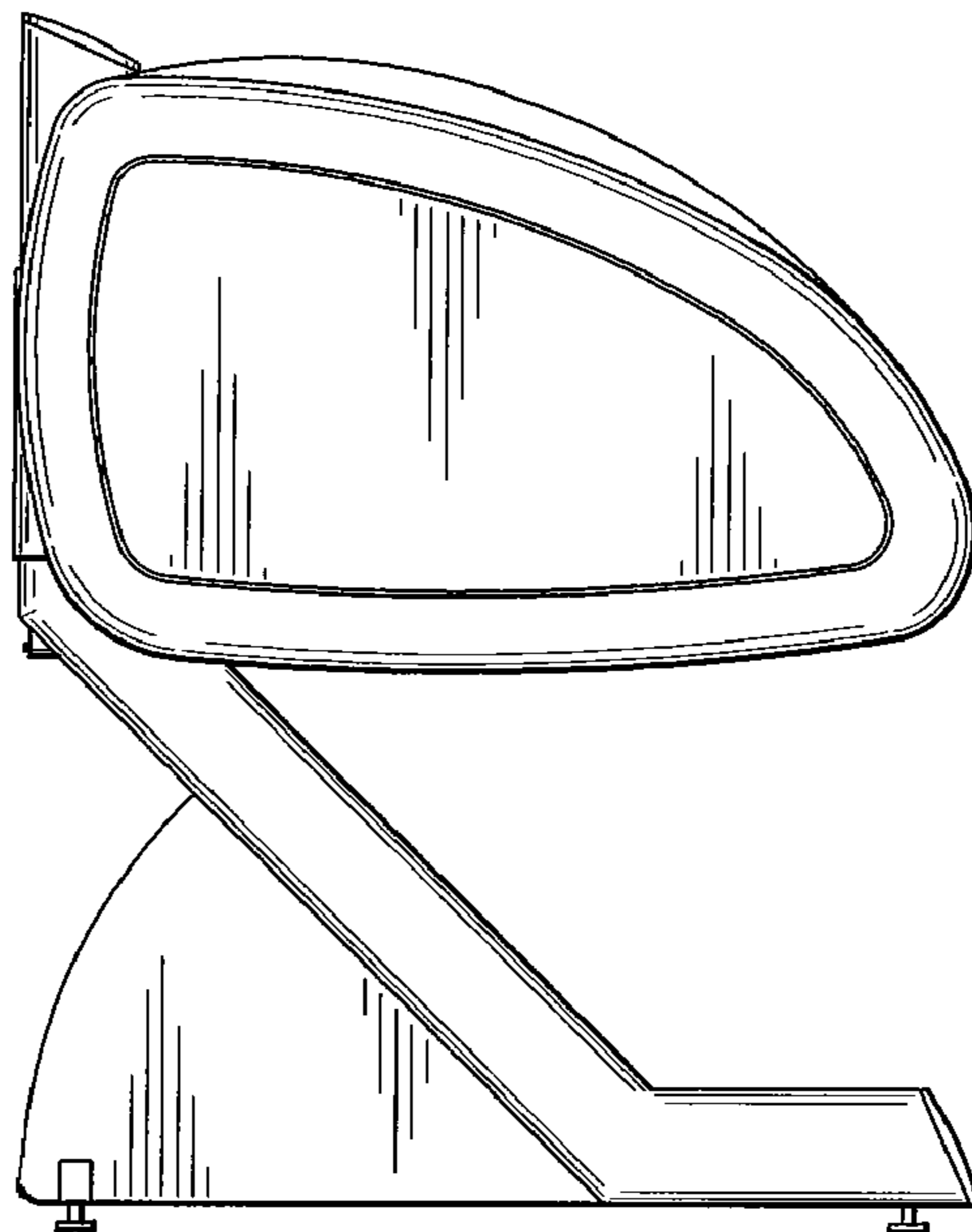


FIG.5

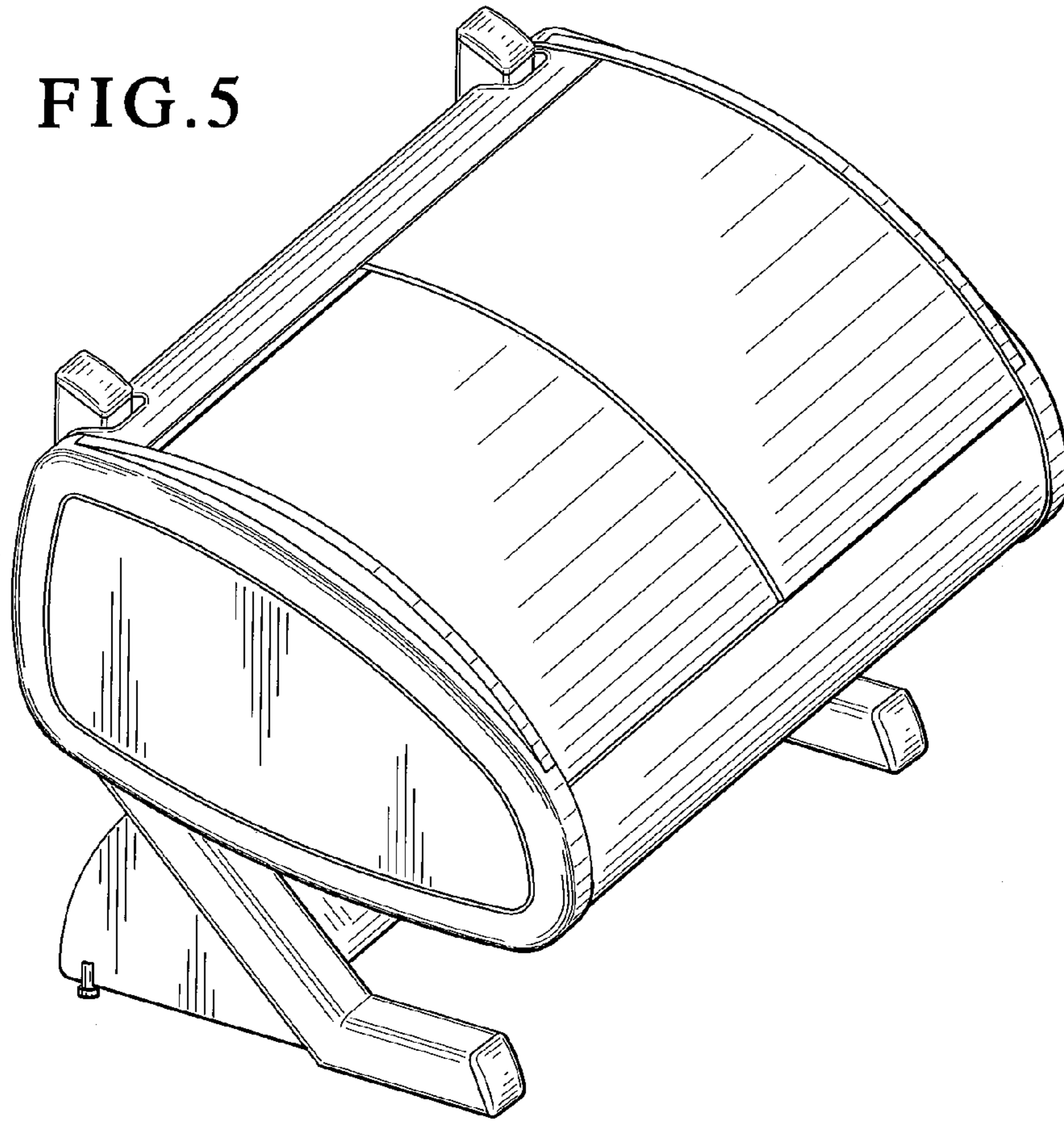


FIG.6

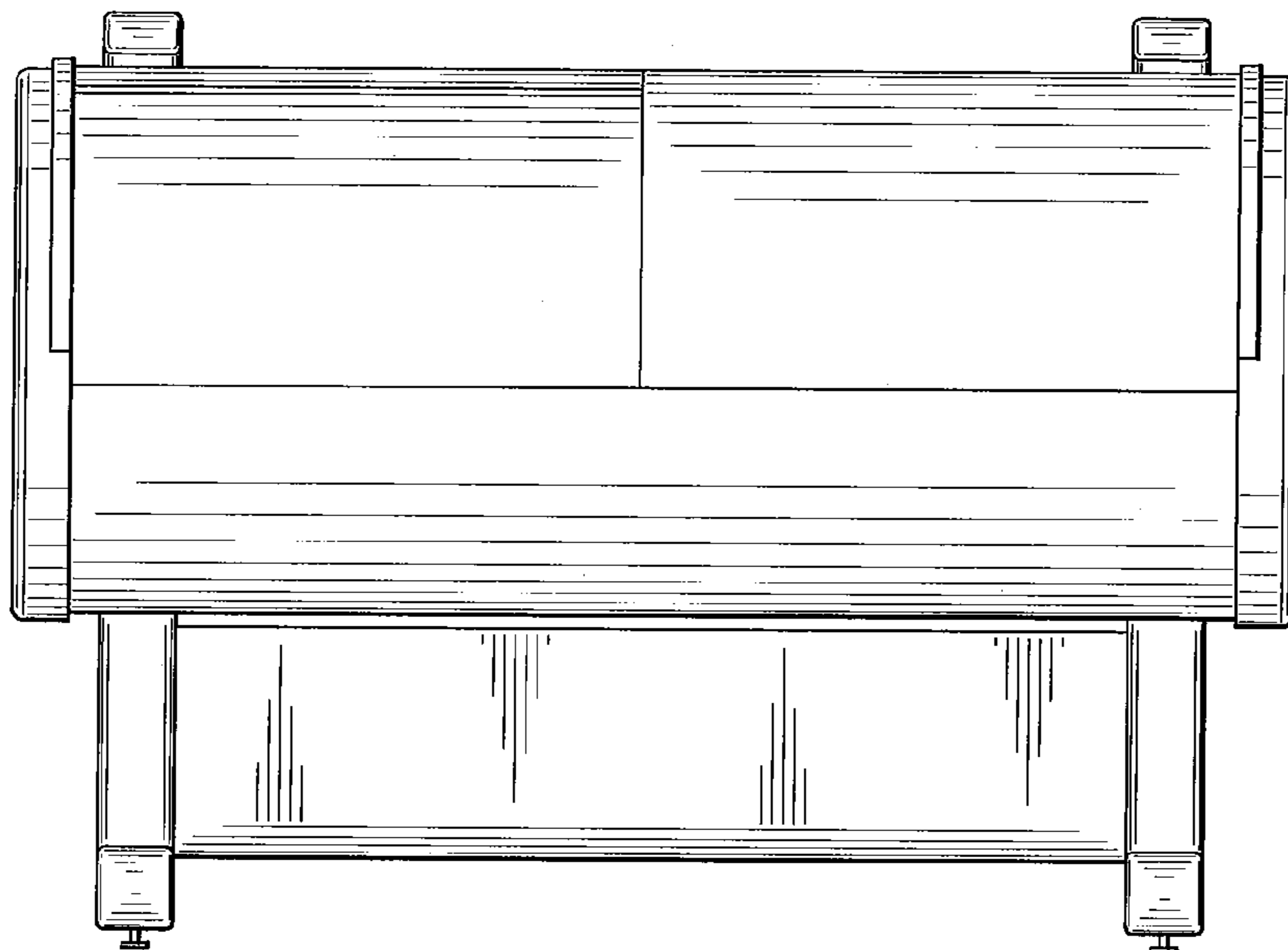


FIG. 7

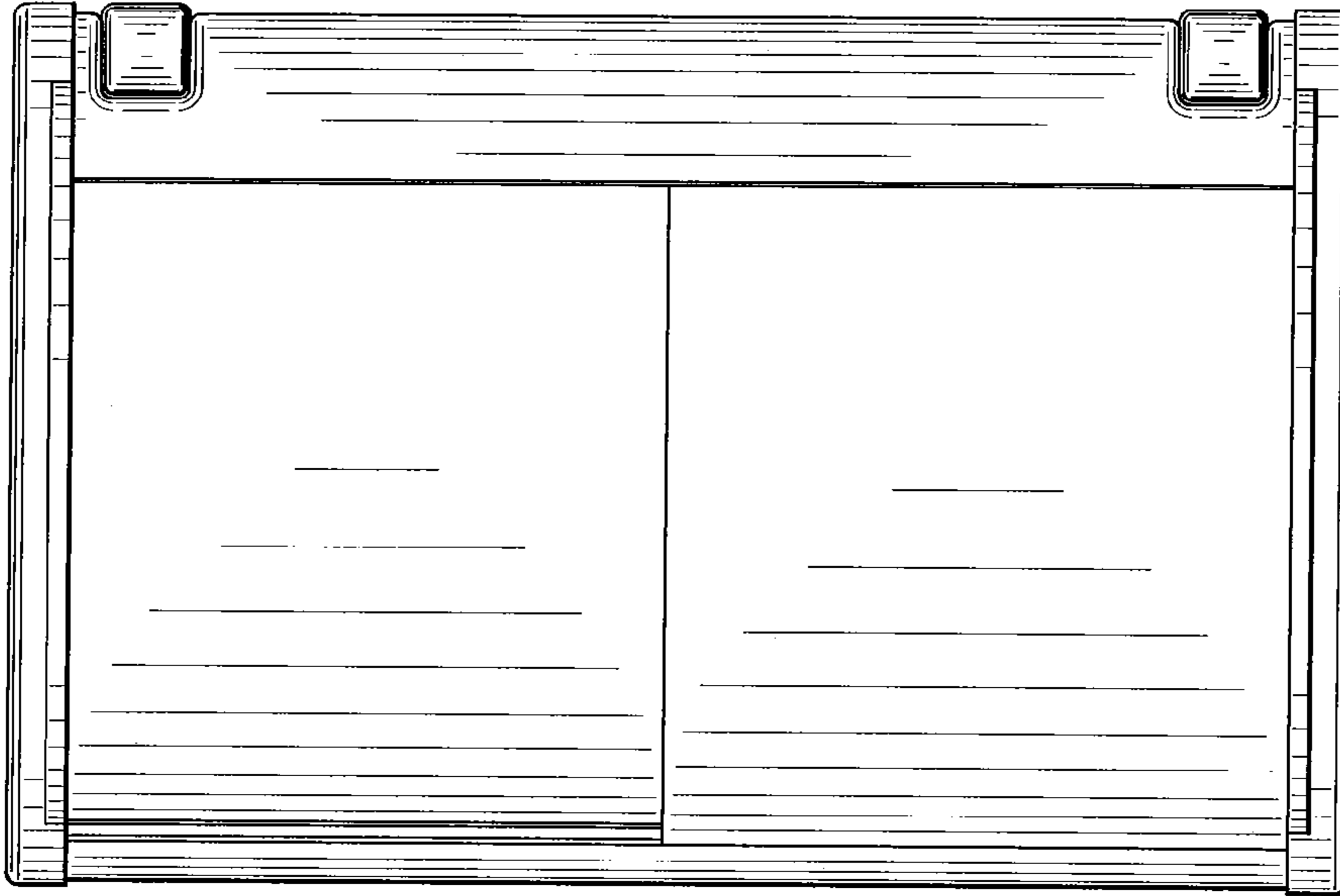


FIG. 8

