



US00D569395S

(12) **United States Design Patent**  
**Hayashi**

(10) **Patent No.:** **US D569,395 S**

(45) **Date of Patent:** **\*\* May 20, 2008**

(54) **SEWING MACHINE**

(75) Inventor: **Kazutoshi Hayashi**, Nagoya (JP)

(73) Assignee: **Brother Industries, Ltd.**, Nagoya (JP)

(\*\*) Term: **14 Years**

(21) Appl. No.: **29/287,564**

(22) Filed: **Aug. 23, 2007**

(30) **Foreign Application Priority Data**

Mar. 27, 2007 (JP) ..... 2007-007731

(51) **LOC (8) Cl.** ..... **15-07**

(52) **U.S. Cl.** ..... **D15/72; D15/78**

(58) **Field of Classification Search** ..... D15/66,  
D15/68, 69, 70, 72, 78; D3/275; D6/300-314,  
D6/321; D26/51, 56; D14/126, 131, 132,  
D14/305, 307, 335, 336, 340, 341, 371, 374,  
D14/390; 312/224, 226; 112/2, 78, 154,  
112/475.01

See application file for complete search history.

(56) **References Cited**

**U.S. PATENT DOCUMENTS**

D255,745 S \* 7/1980 Pedersen ..... D6/311  
D311,821 S \* 11/1990 Rossari ..... D6/308  
D356,548 S \* 3/1995 Bottcher et al. .... D14/341

D378,367 S \* 3/1997 Adams ..... D14/390  
D403,309 S \* 12/1998 Takemasa et al. .... D14/374  
D424,309 S \* 5/2000 Elliott ..... D6/312  
D433,573 S \* 11/2000 Rochon ..... D6/308  
D454,565 S \* 3/2002 Harriman ..... D14/374  
D458,459 S \* 6/2002 Gottwald ..... D6/300  
D492,948 S \* 7/2004 Suwa et al. .... D15/78  
D524,061 S \* 7/2006 Bruce ..... D6/300  
D524,555 S \* 7/2006 Mohundro ..... D6/300  
D539,763 S \* 4/2007 Yamada ..... D14/126

\* cited by examiner

*Primary Examiner*—Stella M. Reid

*Assistant Examiner*—Shanda C. Hill

(74) *Attorney, Agent, or Firm*—Oliff & Berridge, PLC

(57) **CLAIM**

The ornamental design for a sewing machine, as shown and described.

**DESCRIPTION**

FIG. 1 is a perspective view of a sewing machine;

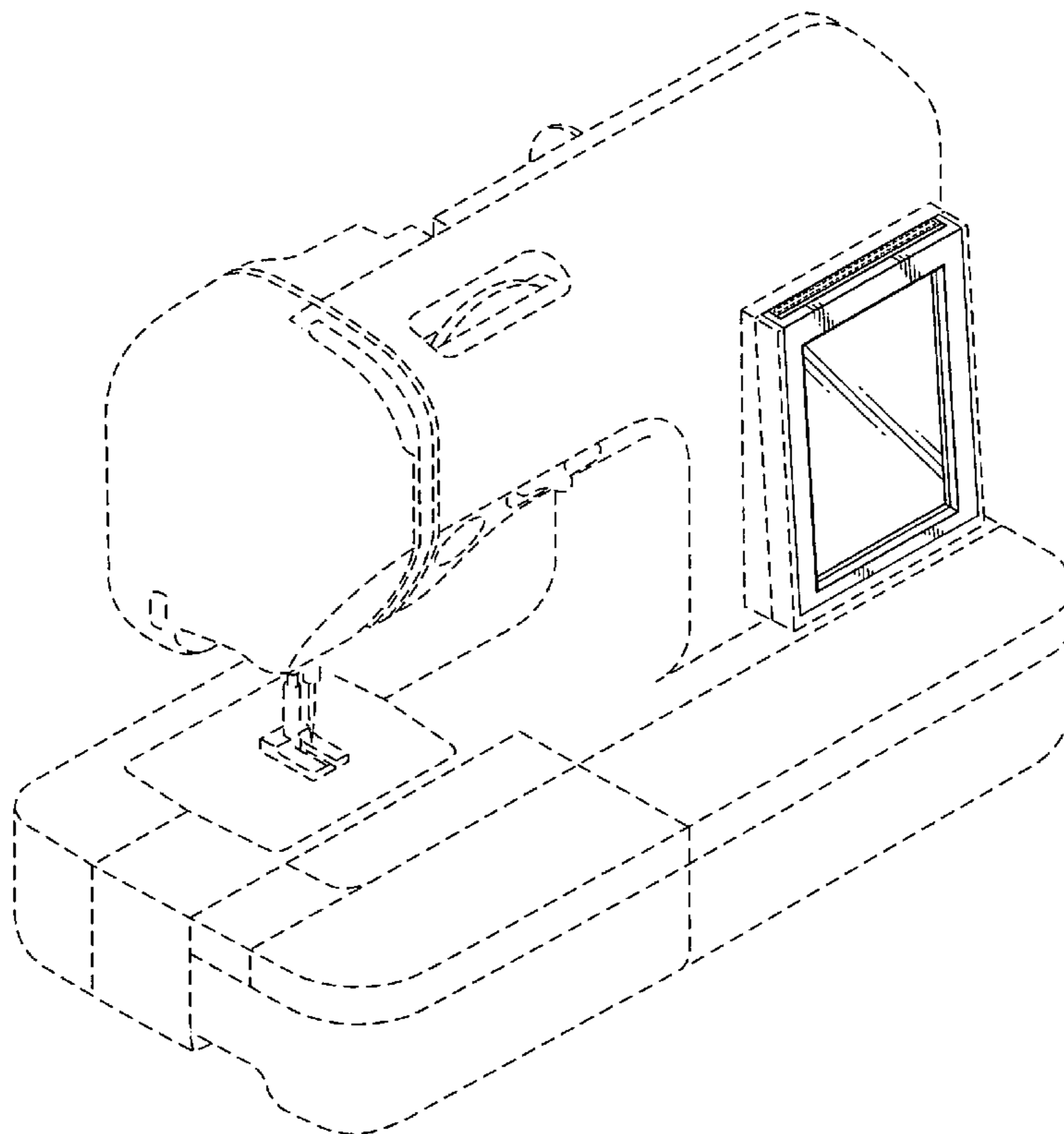
FIG. 2 is a front view thereof;

FIG. 3 is a top view thereof; and,

FIG. 4 is an enlarged perspective view thereof.

The broken lines depict environmental subject matter only and form no part of the claimed design.

**1 Claim, 4 Drawing Sheets**



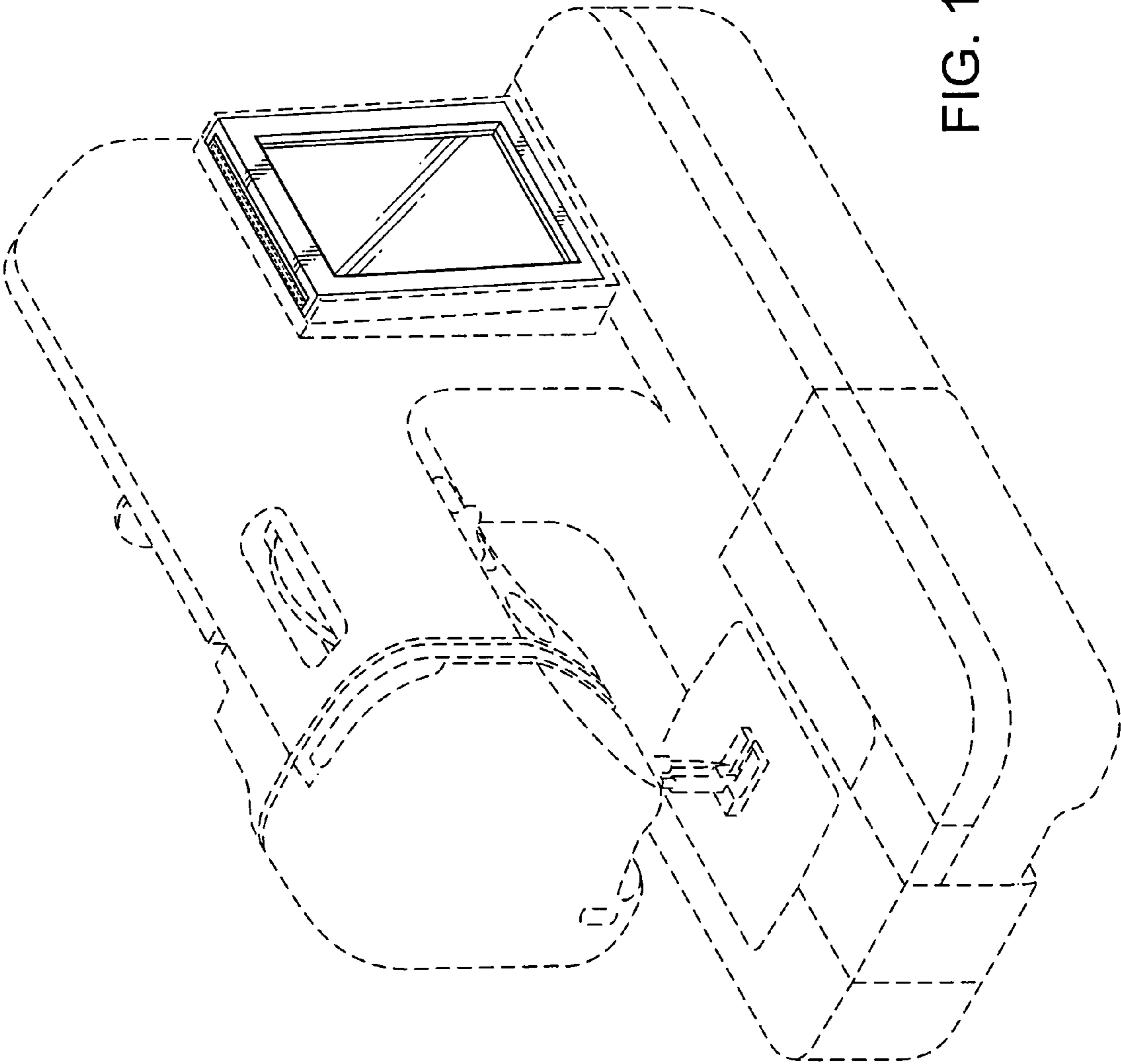


FIG. 1

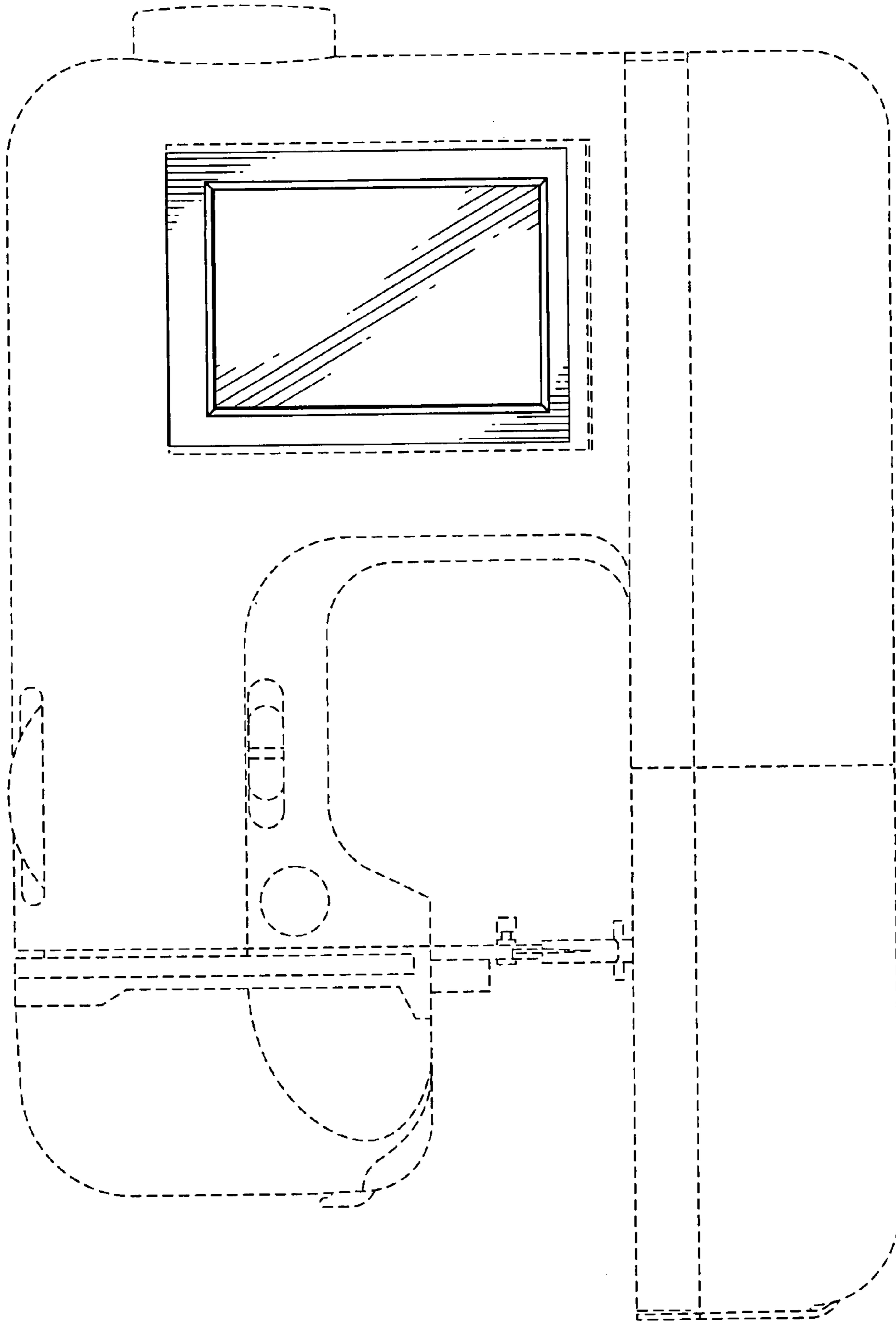


FIG. 2

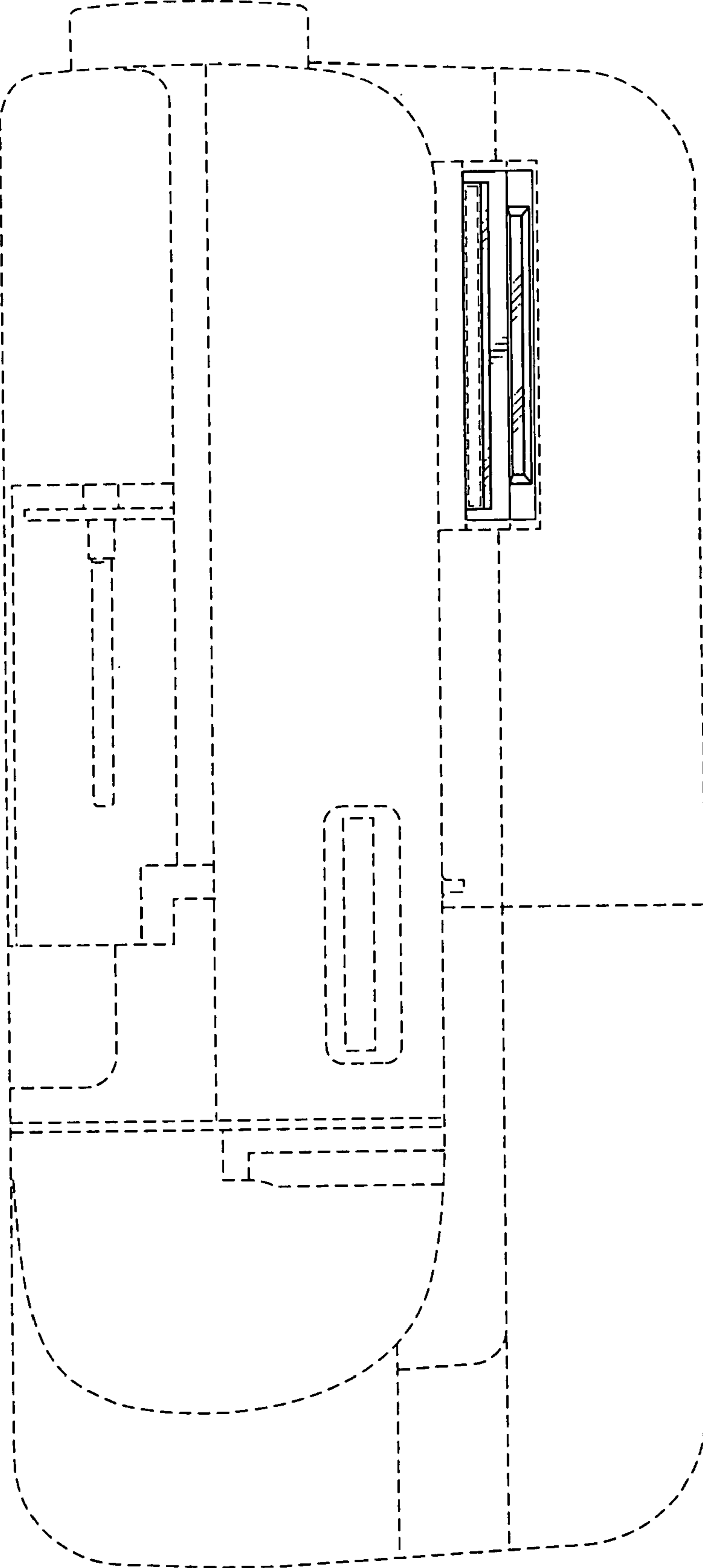


FIG. 3

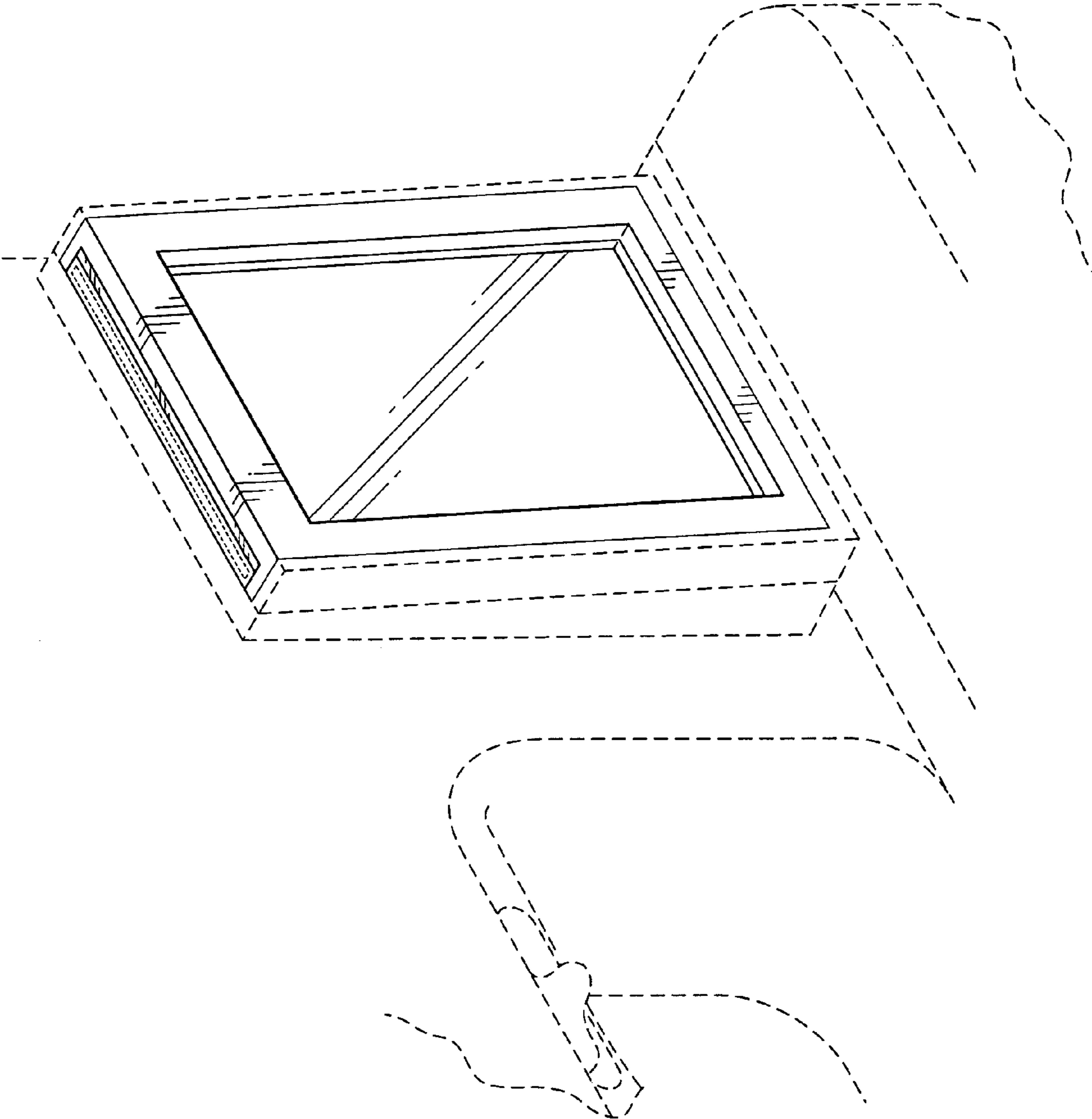


FIG. 4