



US00D569394S

(12) **United States Design Patent**
Kawaguchi

(10) **Patent No.:** **US D569,394 S**

(45) **Date of Patent:** **** May 20, 2008**

(54) **EMBROIDERY MACHINE**

(75) Inventor: **Kiyomi Kawaguchi**, Tokyo (JP)

(73) Assignee: **Janome Sewing Machine Co., Ltd.**,
Tokyo (JP)

(**) Term: **14 Years**

(21) Appl. No.: **29/287,824**

(22) Filed: **Sep. 24, 2007**

(30) **Foreign Application Priority Data**

Apr. 4, 2007 (JP) 2007-008860

(51) **LOC (8) Cl.** **15-06**

(52) **U.S. Cl.** **D15/70; D15/69**

(58) **Field of Classification Search** D15/66,
D15/68, 69, 70; D21/527; 112/2, 78, 154,
112/475.01

See application file for complete search history.

(56) **References Cited**

U.S. PATENT DOCUMENTS

- D403,333 S * 12/1998 Takada et al. D15/70
- D430,886 S * 9/2000 Yamamoto D15/69
- D450,720 S * 11/2001 Kuroki D15/69
- D459,369 S * 6/2002 Yamamoto et al. D15/69
- D464,979 S * 10/2002 Yamamoto D15/69
- D472,562 S * 4/2003 Yamamoto et al. D15/69
- D485,851 S * 1/2004 Takayasu et al. D15/70

- D492,703 S * 7/2004 Kuroki D15/69
- D492,704 S * 7/2004 Kuroki D15/69
- D504,692 S * 5/2005 Kuroki D15/69
- D515,109 S * 2/2006 Iwai D15/70
- D515,110 S * 2/2006 Kuroki D15/70
- D529,520 S * 10/2006 Kuroki D15/70

* cited by examiner

Primary Examiner—Stella M. Reid

Assistant Examiner—Shanda C. Hill

(74) *Attorney, Agent, or Firm*—McGinn IP Law Group,
PLLC

(57) **CLAIM**

The ornamental design for an embroidery machine, as shown and described.

DESCRIPTION

FIG. 1 is a front, right perspective view of an embroidery machine showing my new design;

FIG. 2 is a front, left perspective view thereof;

FIG. 3 is a front elevational view thereof;

FIG. 4 is a rear elevational view thereof;

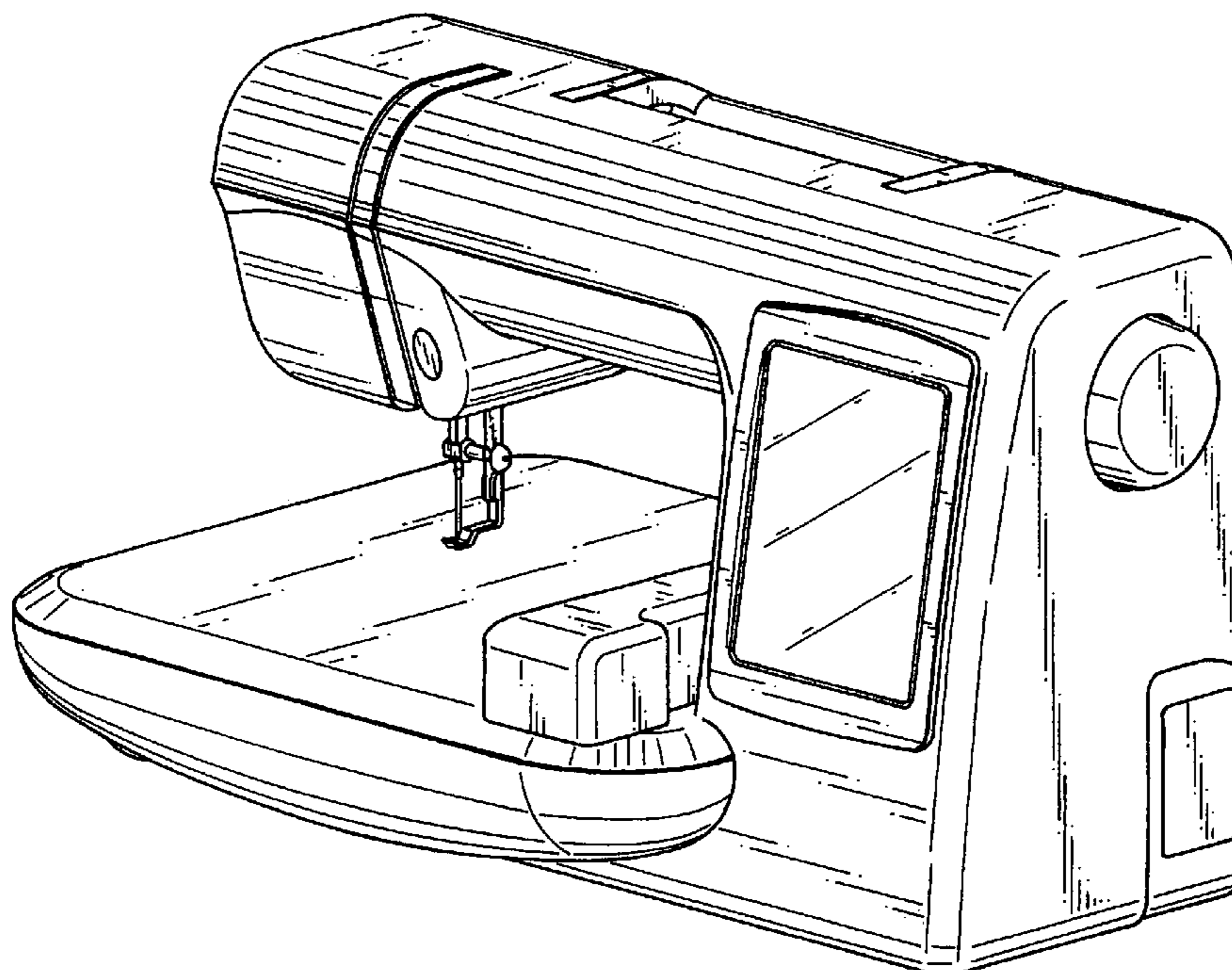
FIG. 5 is a left side elevational view thereof;

FIG. 6 is a right side elevational view thereof;

FIG. 7 is a top plan view thereof; and,

FIG. 8 is a bottom plan view thereof.

1 Claim, 8 Drawing Sheets



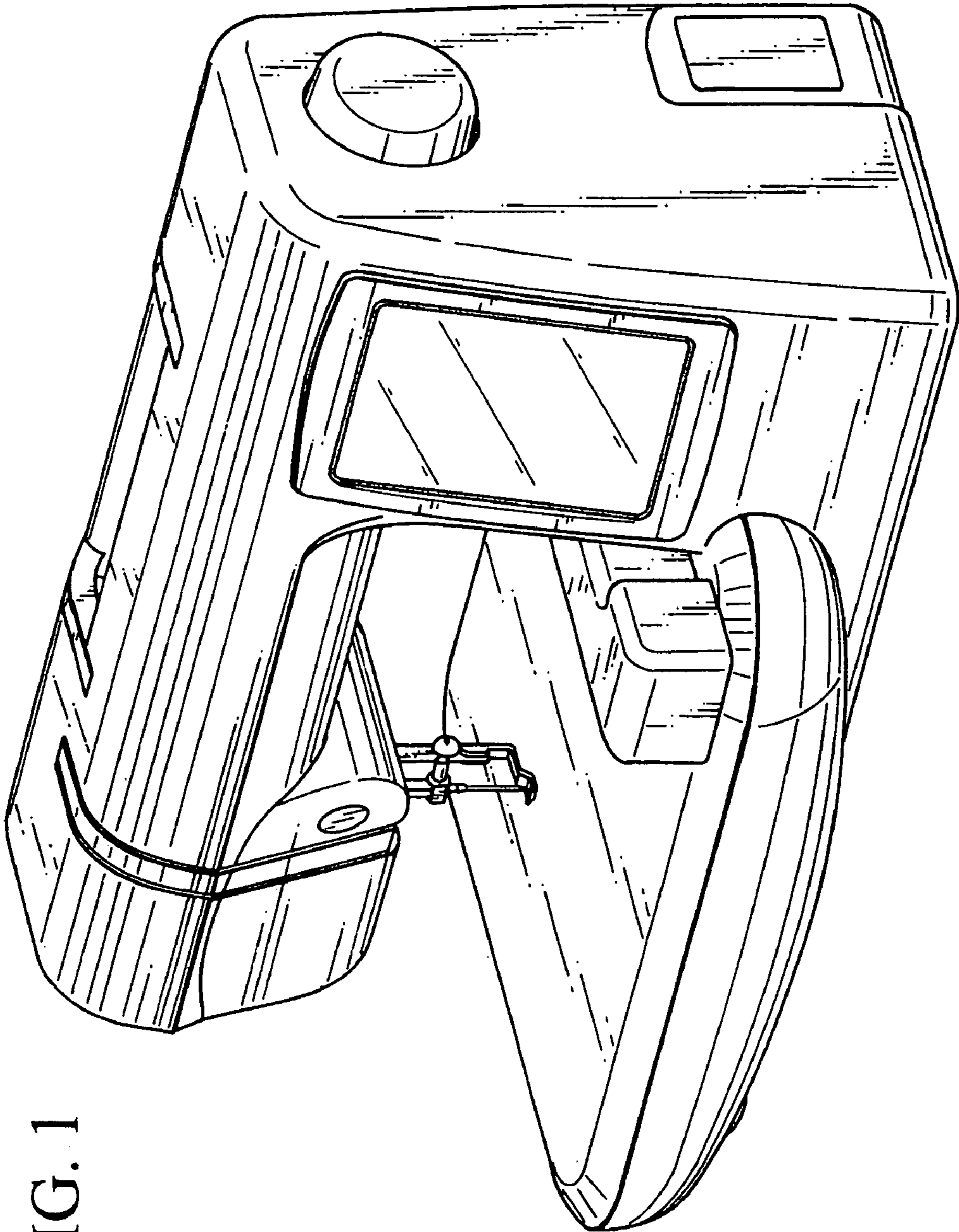


FIG. 1

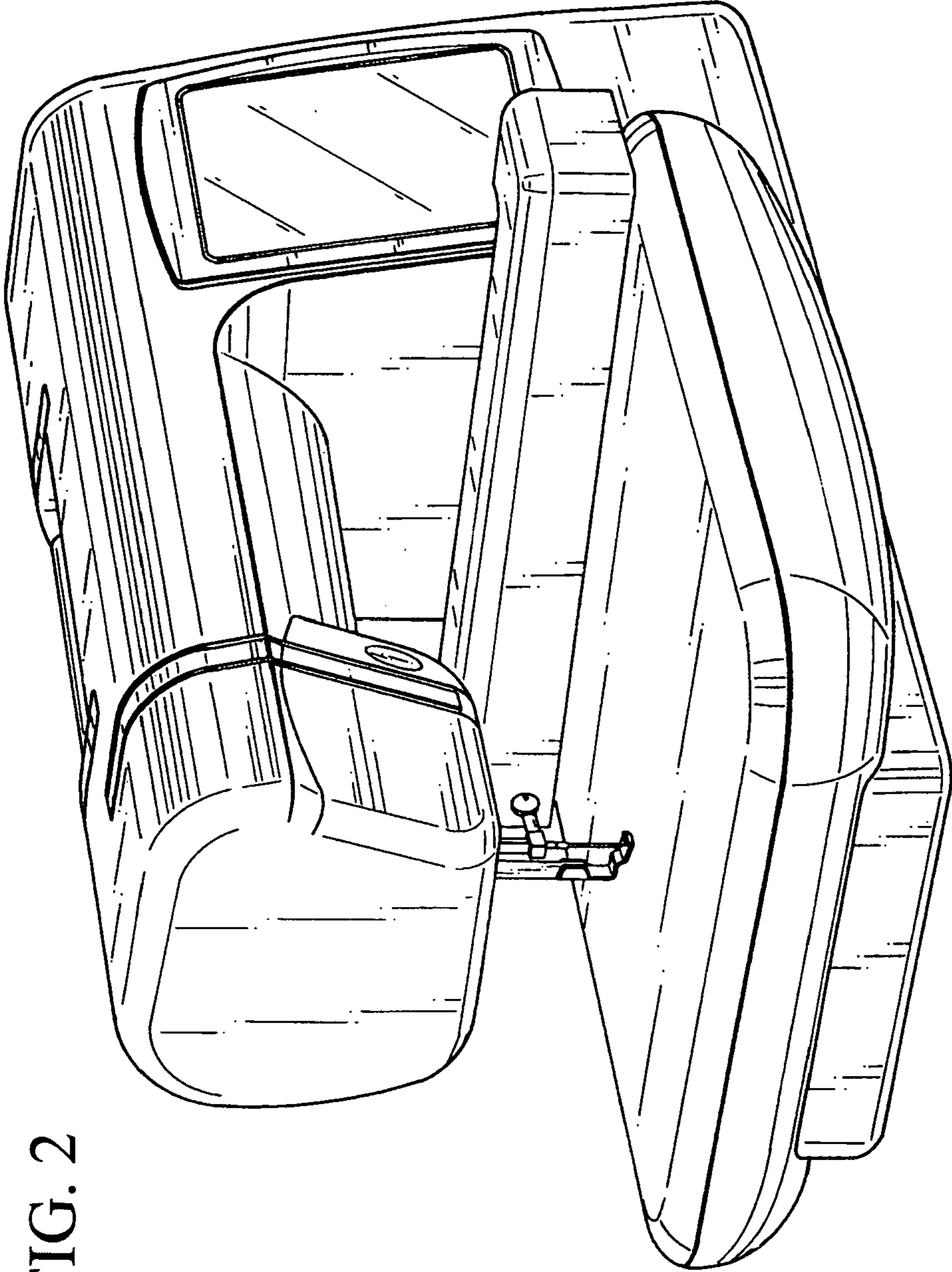
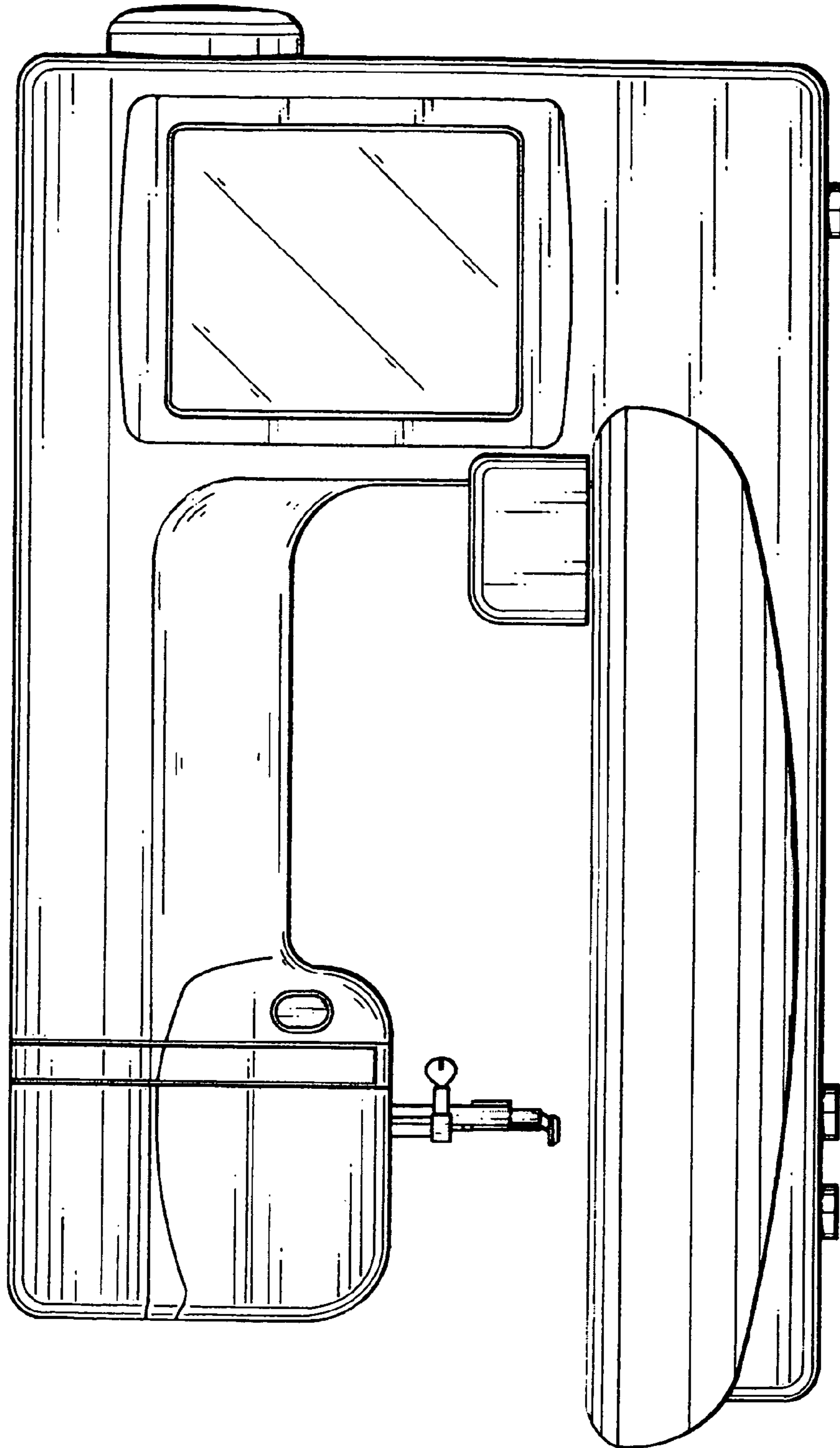


FIG. 2

FIG. 3



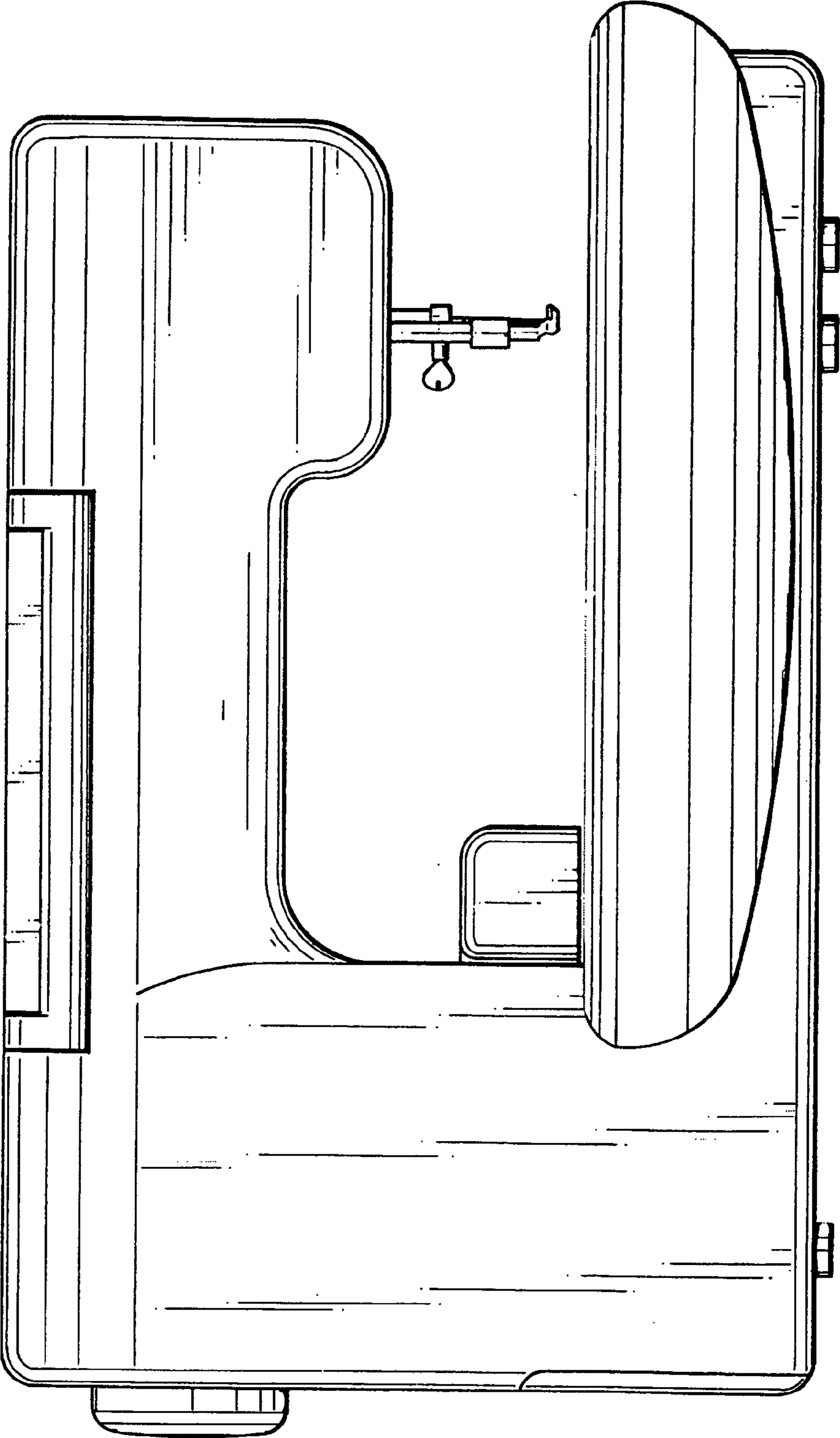


FIG. 4

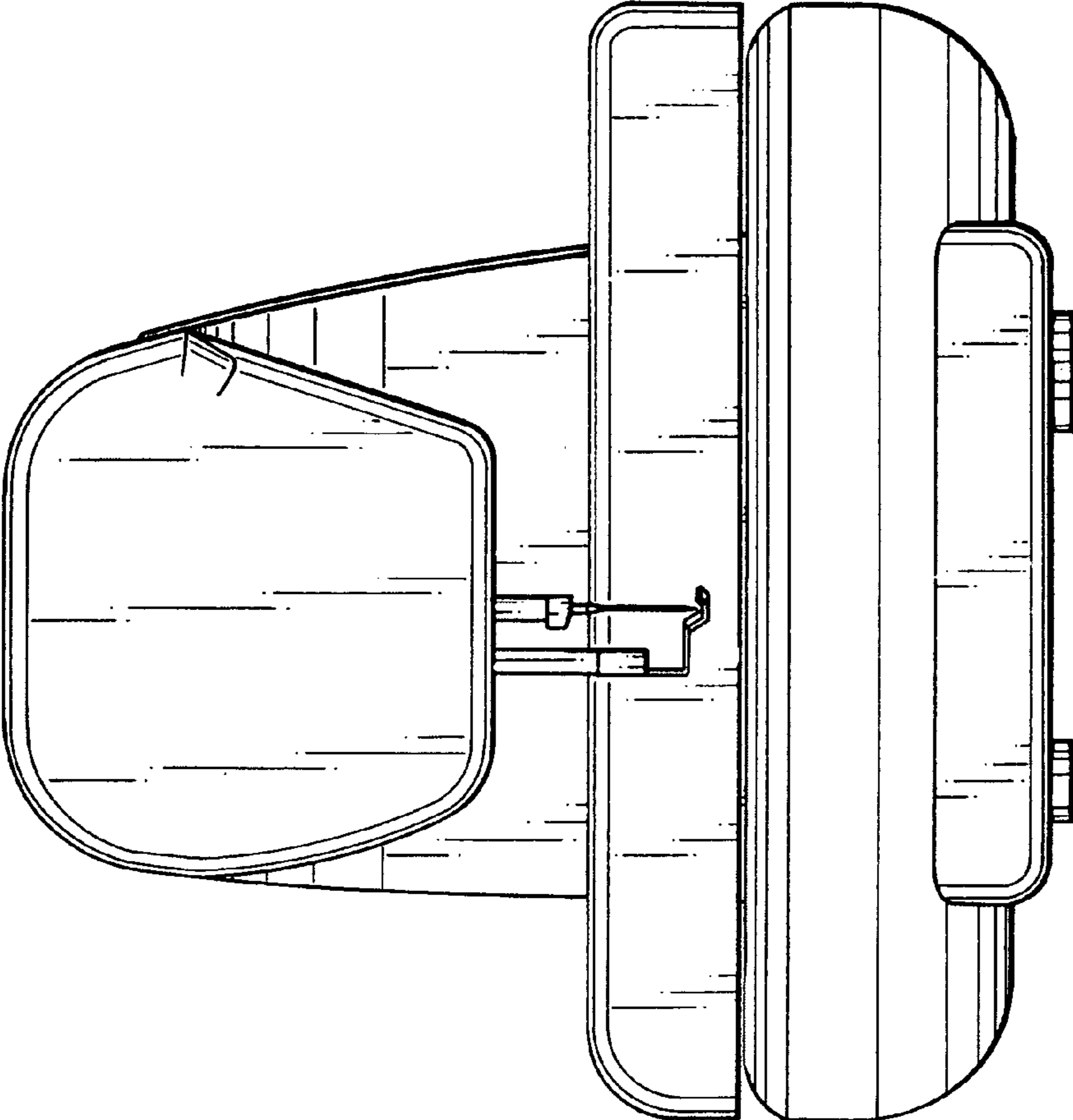


FIG. 5

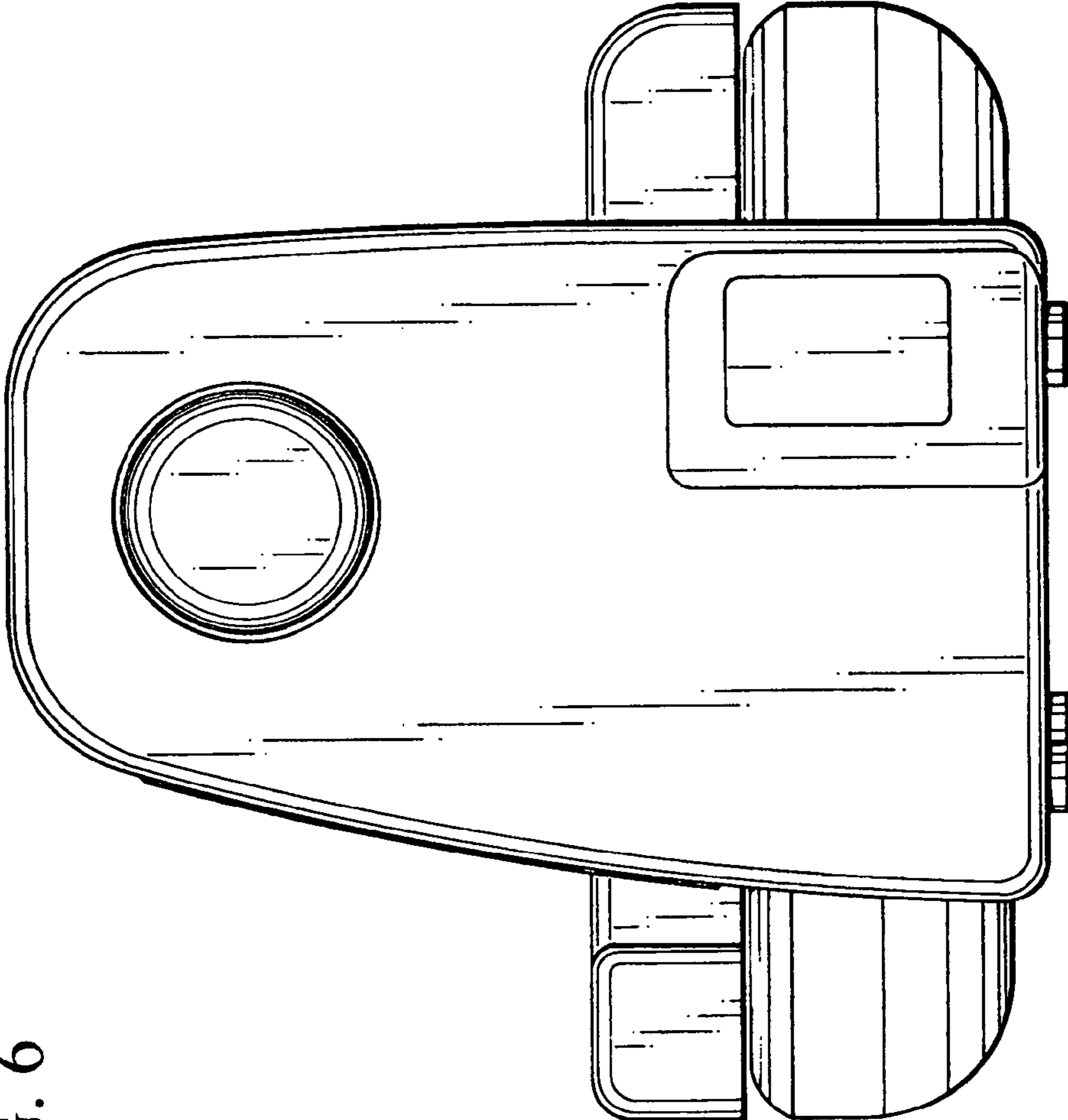


FIG. 6

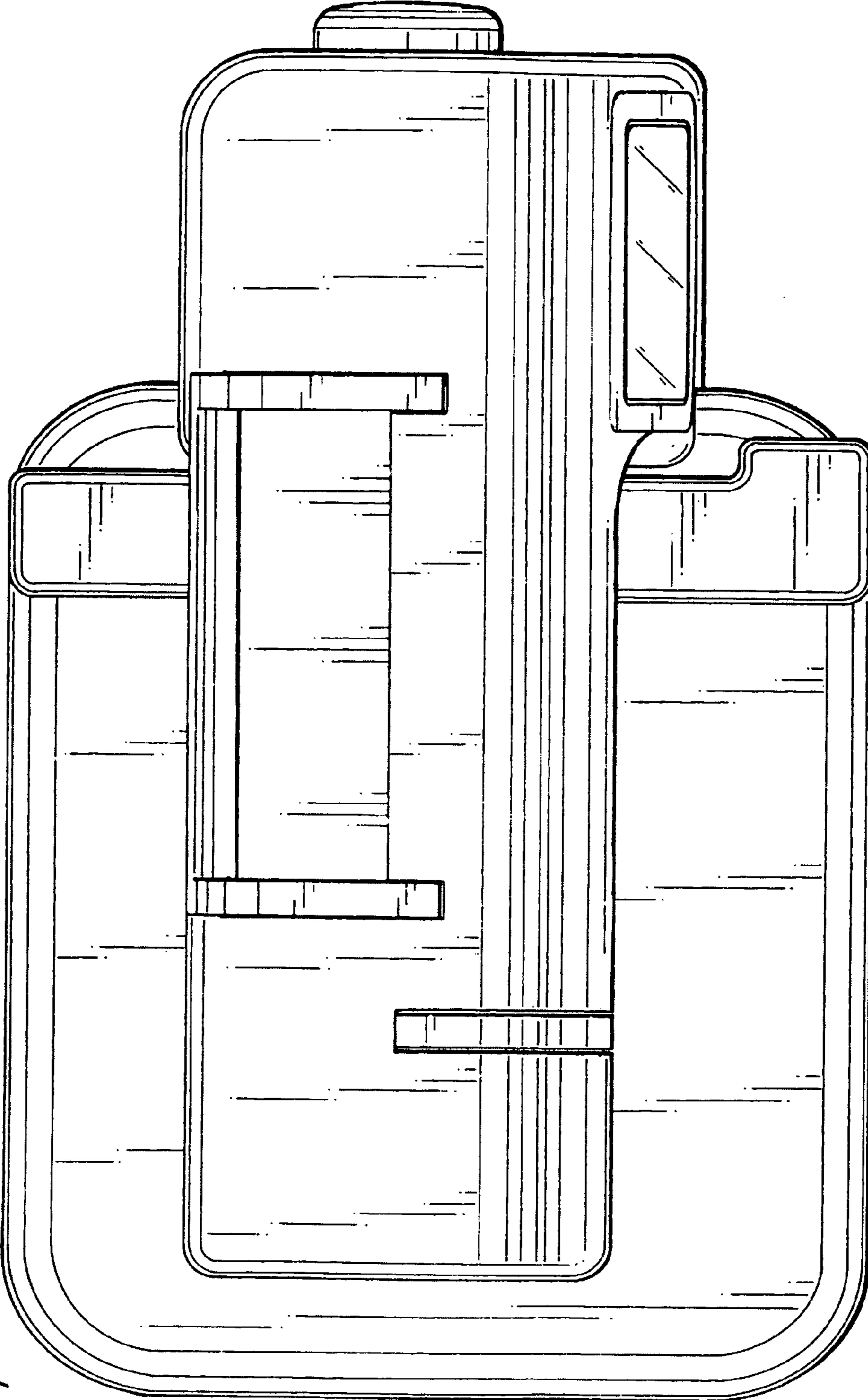


FIG. 7

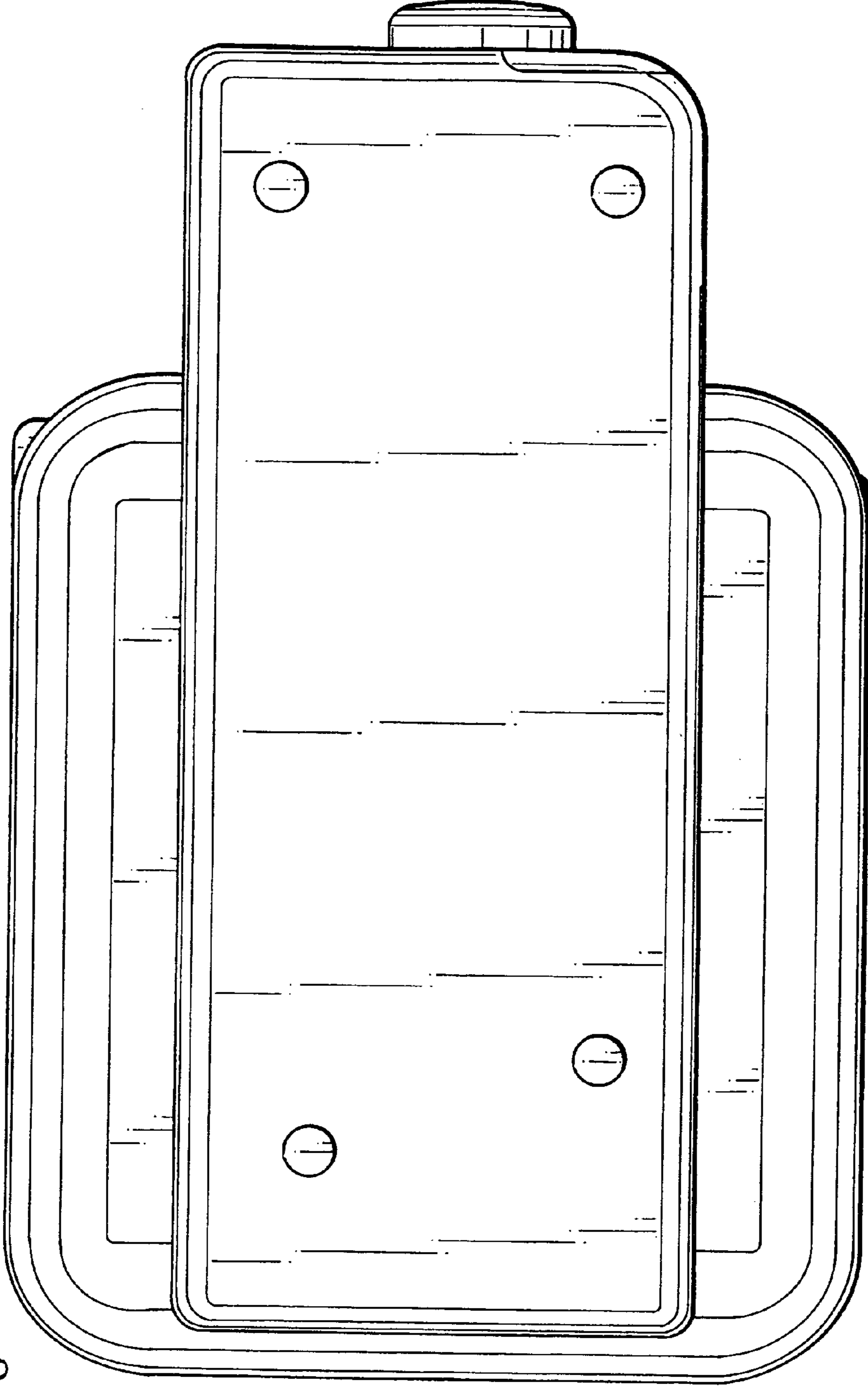


FIG. 8