



US00D569392S

(12) **United States Design Patent**
Lonergan et al.

(10) **Patent No.:** **US D569,392 S**

(45) **Date of Patent:** **** May 20, 2008**

(54) **FIELD AND BRUSH MOWER**

(75) Inventors: **Erin Lonergan**, N. Ferrishburgh, VT (US); **Eugene Stearns**, Vergennes, VT (US); **James Peterson**, Hinesburg, VT (US); **Ken Brandt**, Orlando, FL (US)

(73) Assignee: **Country Home Products, Inc.**, Vergennes, VT (US)

(**) Term: **14 Years**

(21) Appl. No.: **29/287,248**

(22) Filed: **Jul. 13, 2007**

(51) **LOC (8) Cl.** **15-03**

(52) **U.S. Cl.** **D15/27**

(58) **Field of Classification Search** D15/10,
D15/14-17, 26-28; 56/6, 17.1, 16.7, 15.7,
56/15.8, 15.2, 15.6, 320.1, 320.2, DIG. 22,
56/DIG. 14

See application file for complete search history.

(56) **References Cited**

U.S. PATENT DOCUMENTS

D227,498 S *	6/1973	McCanse et al.	D15/14
D261,889 S *	11/1981	Cicci et al.	D15/27
D271,398 S *	11/1983	McCanse et al.	D15/27
D285,080 S *	8/1986	Klein	D15/27
4,691,505 A *	9/1987	Browne	56/503
D316,101 S *	4/1991	McCanse et al.	D15/27
5,005,344 A *	4/1991	McCracken	56/14.7
5,129,217 A *	7/1992	Loehr	56/13.6

D335,675 S *	5/1993	Herron	D15/27
D344,738 S *	3/1994	Young	D15/27
D345,168 S *	3/1994	Cook et al.	D15/27
5,457,947 A *	10/1995	Samejima et al.	56/16.7
5,491,964 A *	2/1996	Butler	56/320.2
D394,662 S *	5/1998	Grow	D15/27
D424,071 S *	5/2000	Bickford et al.	D15/17
D435,564 S *	12/2000	Klasson	D15/17
2006/0201122 A1 *	9/2006	Bishop	56/15.6

* cited by examiner

Primary Examiner—Stella M. Reid

Assistant Examiner—Mark Goodwin

(74) *Attorney, Agent, or Firm*—Mattingly, Stanger, Malur & Brundidge, P.C.

(57) **CLAIM**

The ornamental design for a field and brush mower, as shown and described.

DESCRIPTION

FIG. 1 is a right front perspective view of a field and brush mower showing the new design;

FIG. 2 is a front elevational view thereof;

FIG. 3 is a rear elevational view thereof;

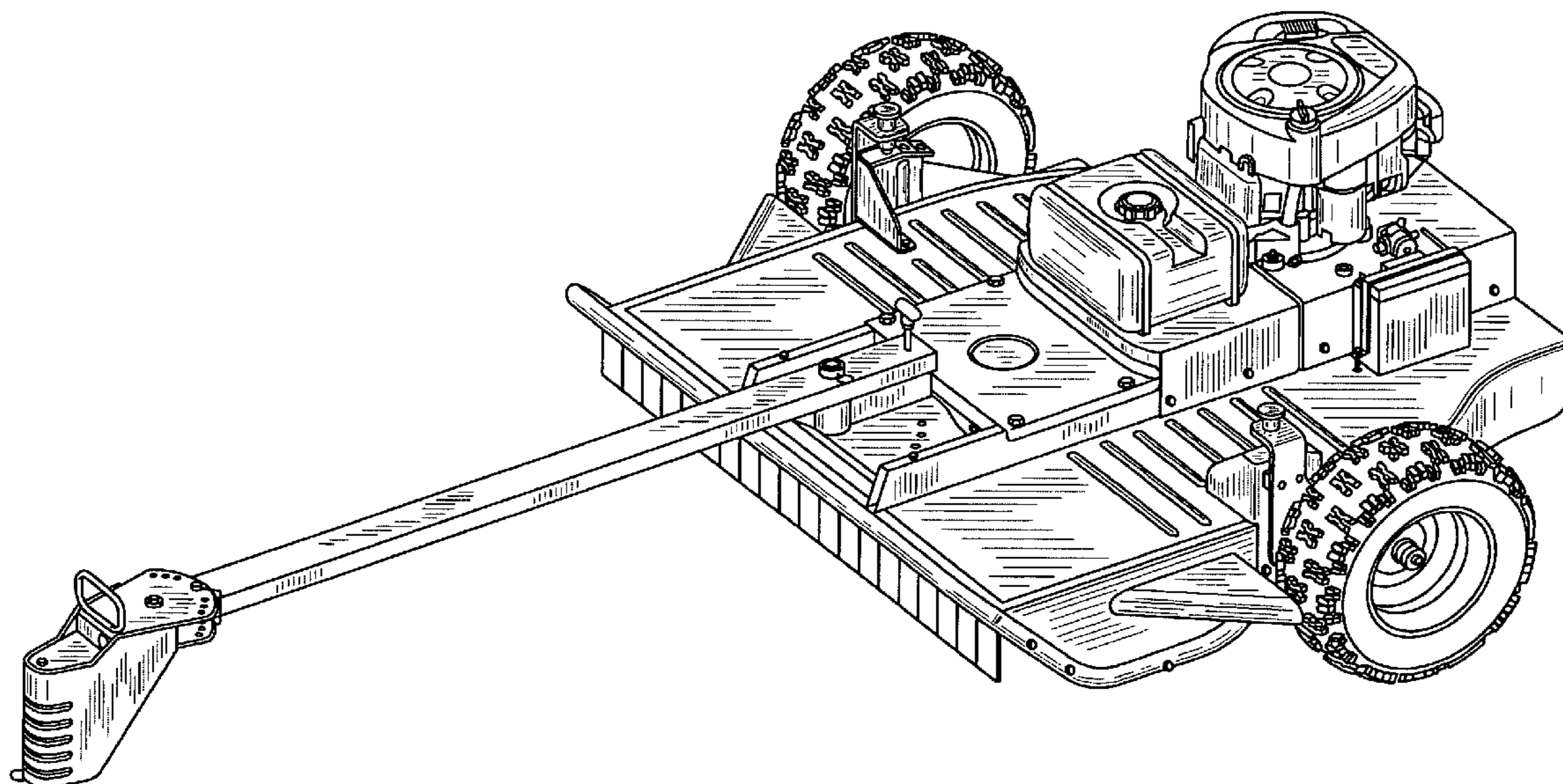
FIG. 4 is a left side elevational thereof;

FIG. 5 is a right side elevational thereof;

FIG. 6 is a top plan view thereof; and,

FIG. 7 is a bottom plan view thereof.

1 Claim, 6 Drawing Sheets



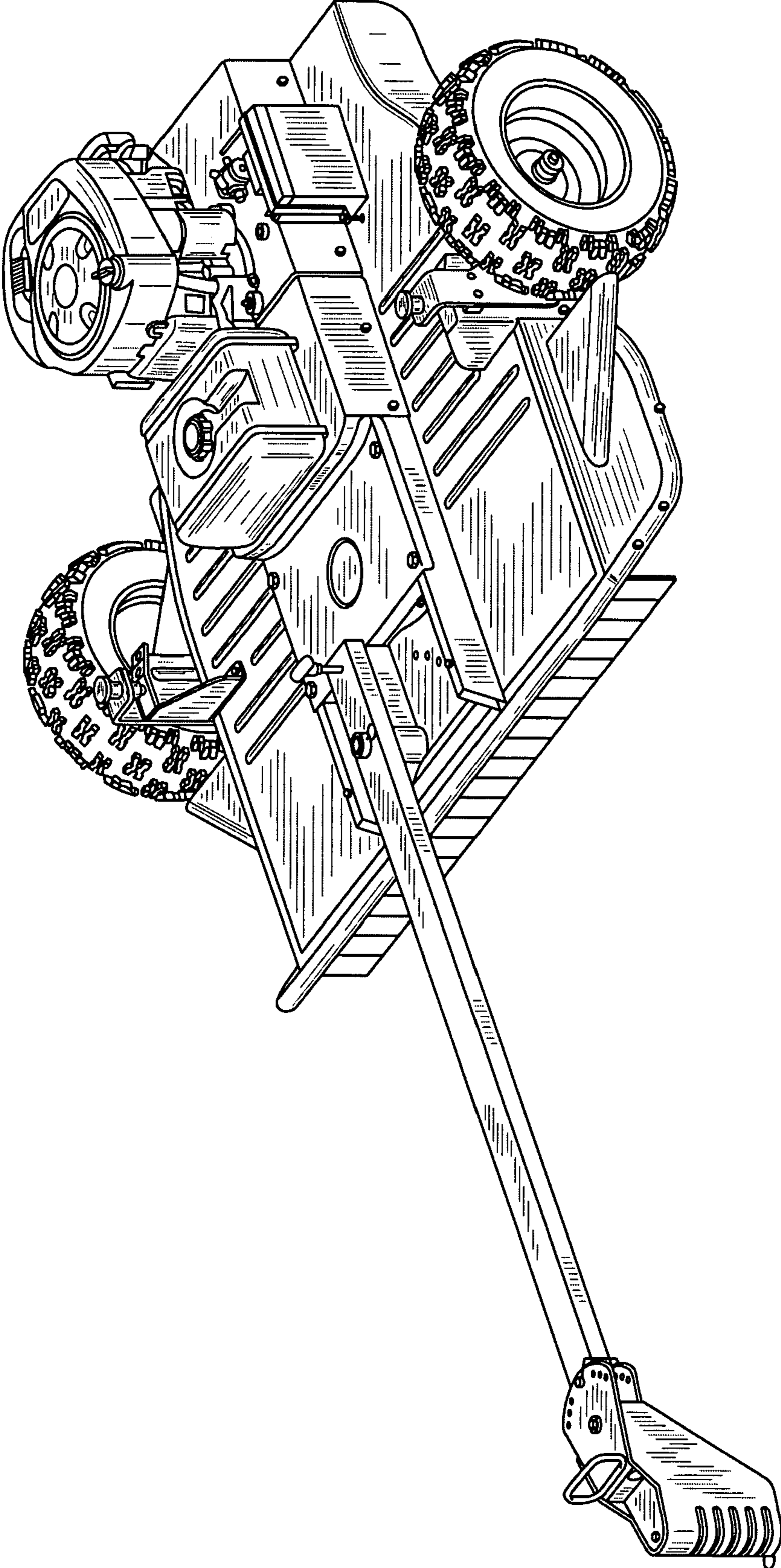


FIG. 1

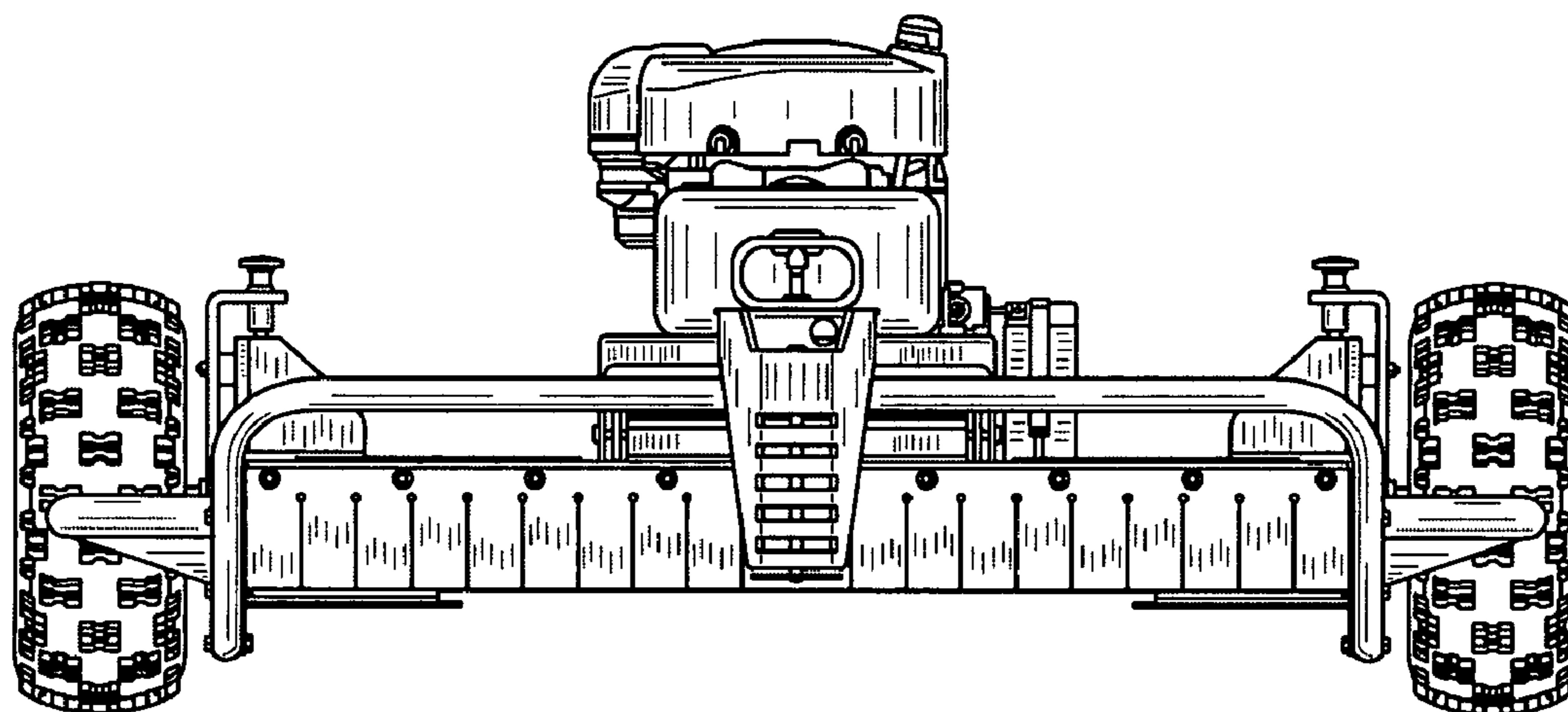


FIG. 2

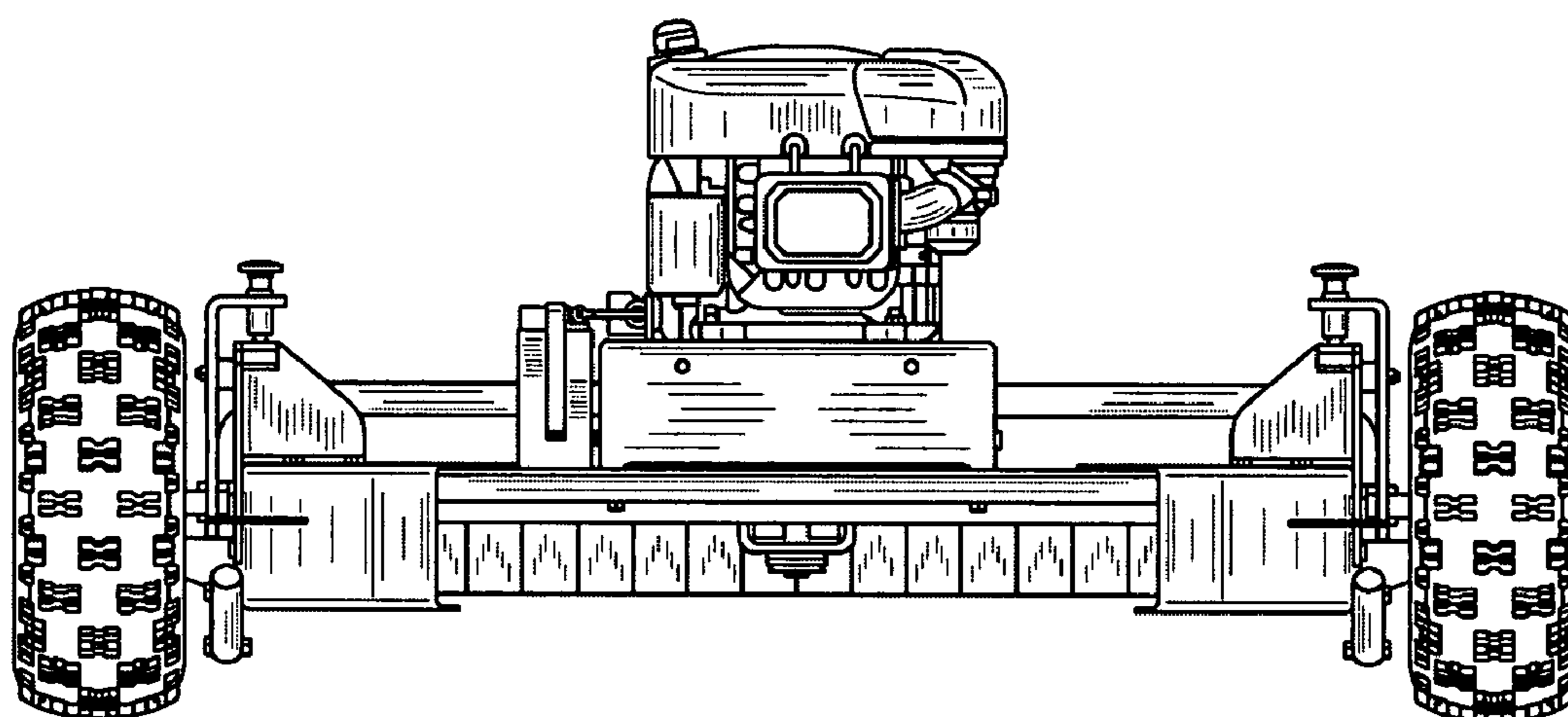


FIG. 3

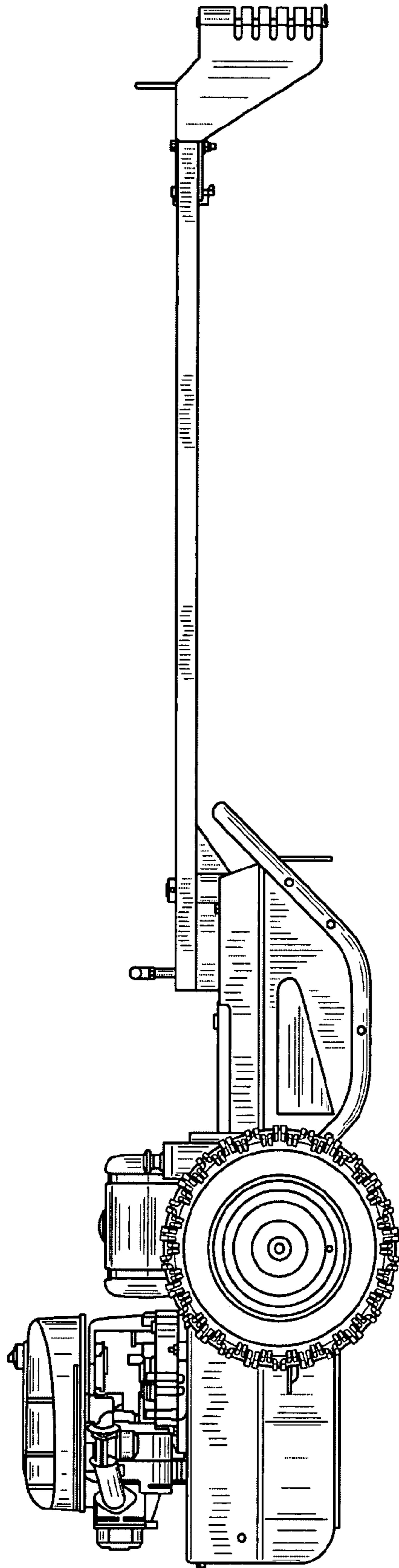


FIG. 4

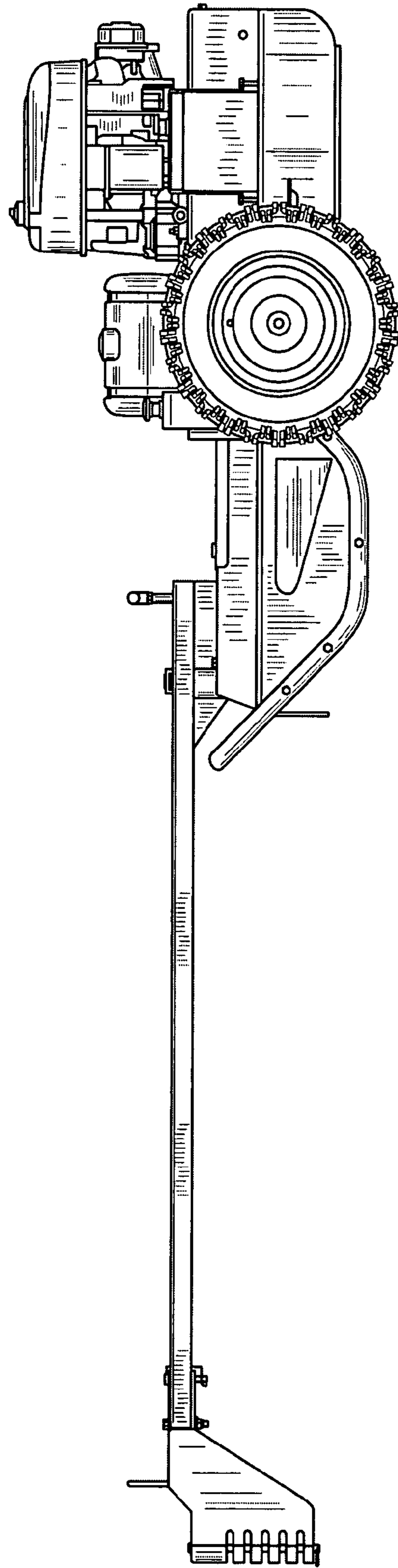


FIG. 5

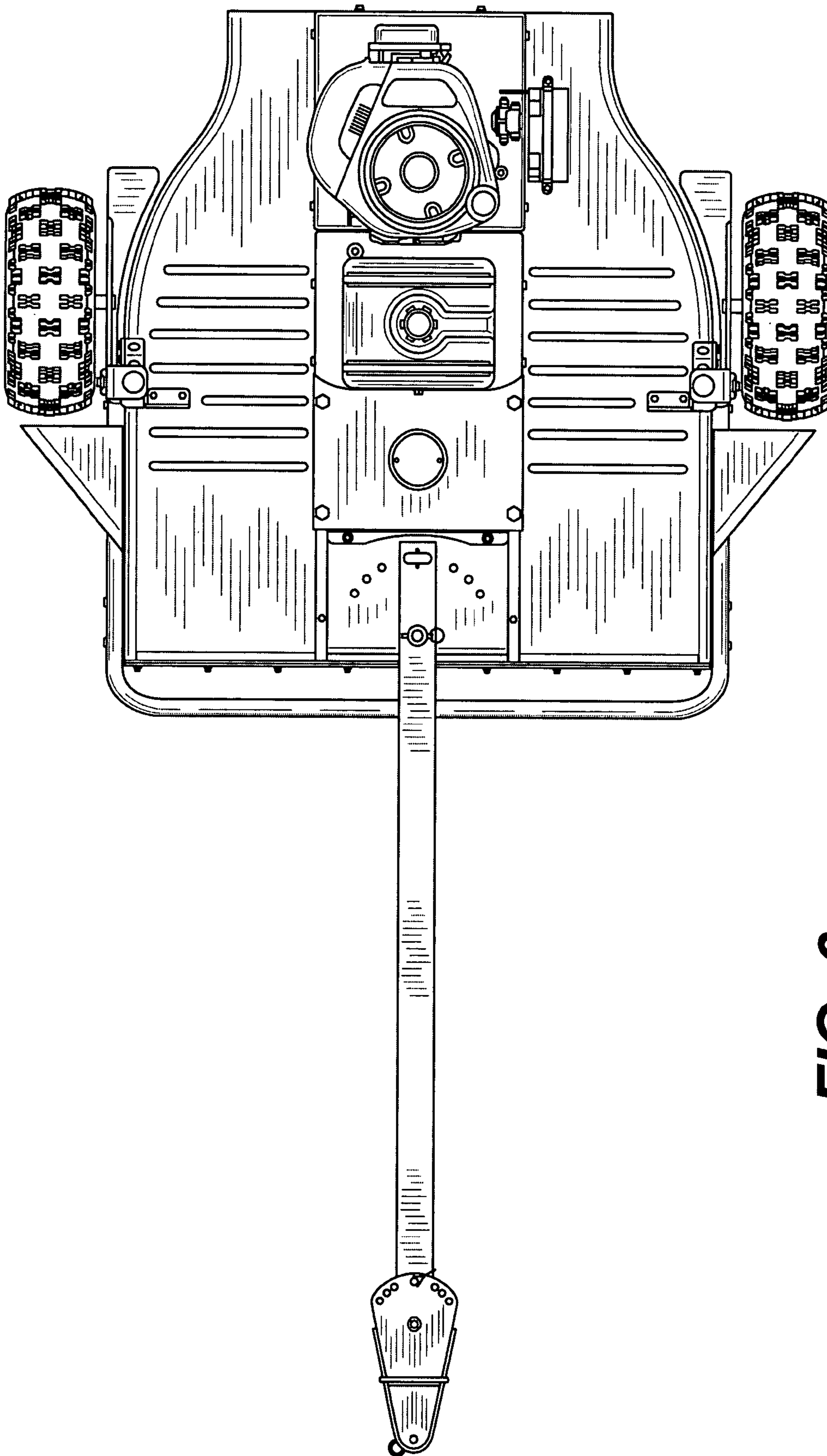


FIG. 6

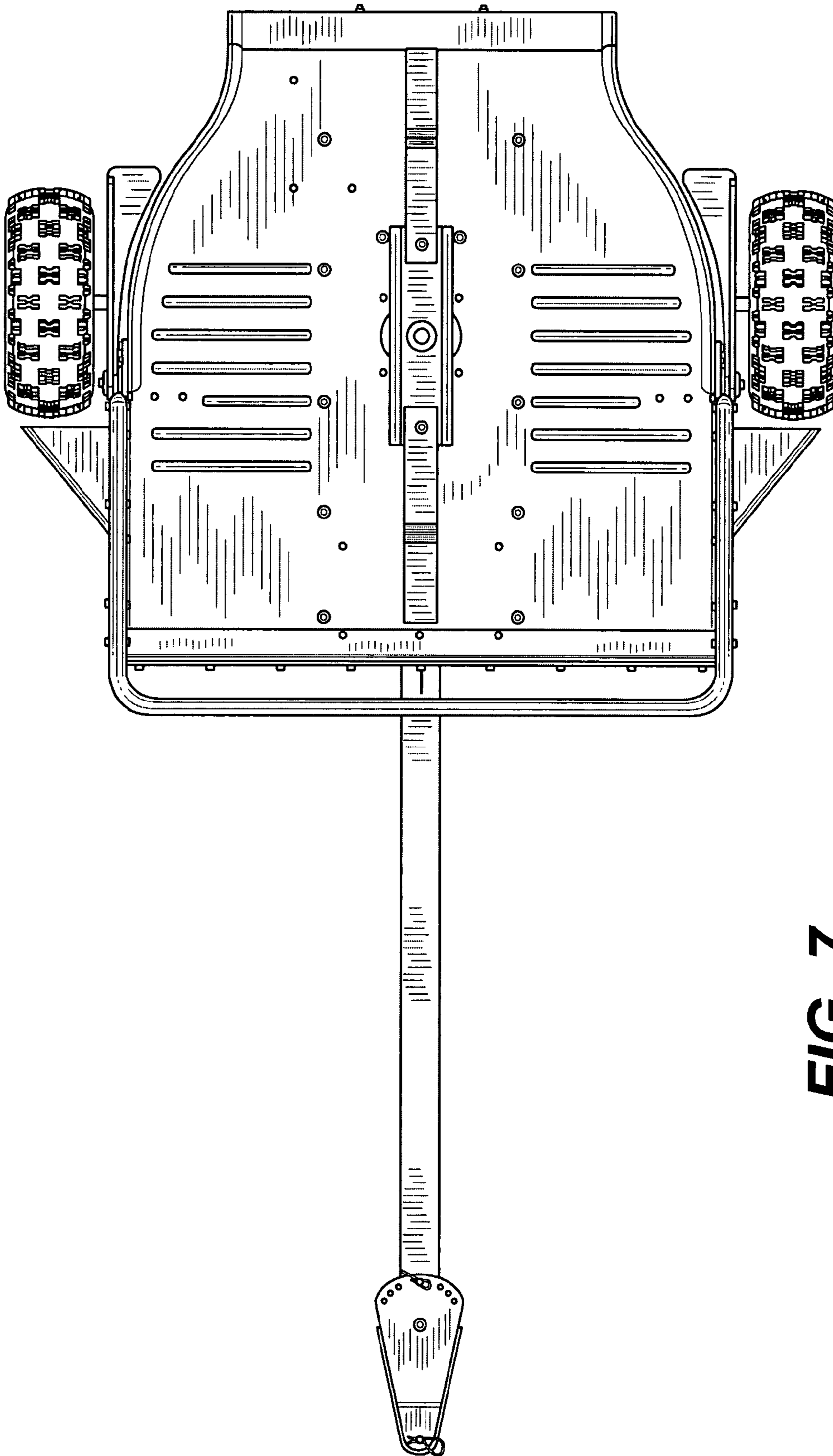


FIG. 7