



US00D569391S

(12) **United States Design Patent**
Miller et al.

(10) **Patent No.: US D569,391 S**

(45) **Date of Patent: ** May 20, 2008**

(54) **THREE-PORT FLAT FLUID MANIFOLD**

(75) Inventors: **Darin Miller**, Sachse, TX (US); **Jeff R. Summers**, Plano, TX (US); **David Todd Ernst**, Allen, TX (US)

(73) Assignee: **Quest Medical, Inc.**, Allen, TX (US)

(**) Term: **14 Years**

(21) Appl. No.: **29/276,400**

(22) Filed: **Jan. 24, 2007**

(51) **LOC (8) Cl.** **15-01**

(52) **U.S. Cl.** **D15/5**

(58) **Field of Classification Search** D15/5;
D23/233-237, 269; 210/335; 604/246,
604/248-249, 537, 99, 32-33; 137/883,
137/596.13, 596.16, 505.38, 352, 343, 577,
137/137, 1

See application file for complete search history.

(56) **References Cited**

U.S. PATENT DOCUMENTS

D394,898 S * 6/1998 Evans D23/214
6,083,205 A * 7/2000 Bourne et al. 604/246
D434,373 S * 11/2000 Julian et al. D13/120
D453,953 S * 2/2002 Pearl D23/213
D535,722 S * 1/2007 Nimberger D23/233
D544,499 S * 6/2007 Nimberger D15/5

D544,500 S * 6/2007 Nimberger D15/5
D544,883 S * 6/2007 Nimberger D15/5
D544,884 S * 6/2007 Nimberger D15/5
D557,281 S * 12/2007 Miller et al. D15/5
D557,282 S * 12/2007 Miller et al. D15/5
D557,283 S * 12/2007 Miller et al. D15/5

* cited by examiner

Primary Examiner—Ian Simmons

Assistant Examiner—Wan Laymon

(74) *Attorney, Agent, or Firm*—David W. Carstens; Jeffrey G. Degenfelder; Carstens & Cahoon, LLP

(57) **CLAIM**

The ornamental design for a three-port flat fluid manifold, as shown.

DESCRIPTION

FIG. 1 is a perspective view of a three-port fluid manifold of the present invention;

FIG. 2 is a top plan view thereof;

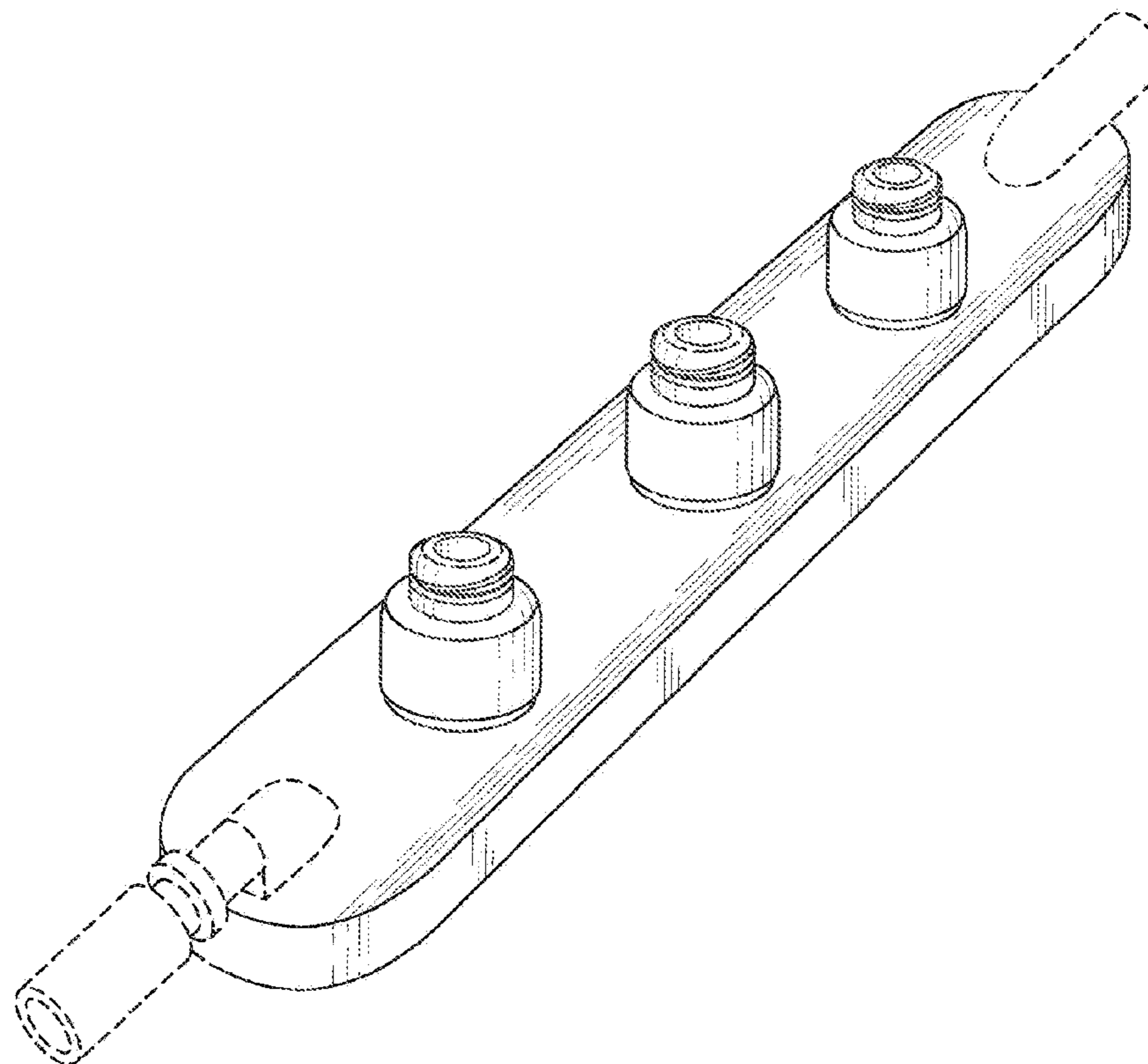
FIG. 3 is a bottom plan view;

FIG. 4 is a right side elevation view, the left side elevation view being a mirror image thereof;

FIG. 5 is a rear elevation view thereof; and,

FIG. 6 is a front elevation view thereof.

1 Claim, 3 Drawing Sheets



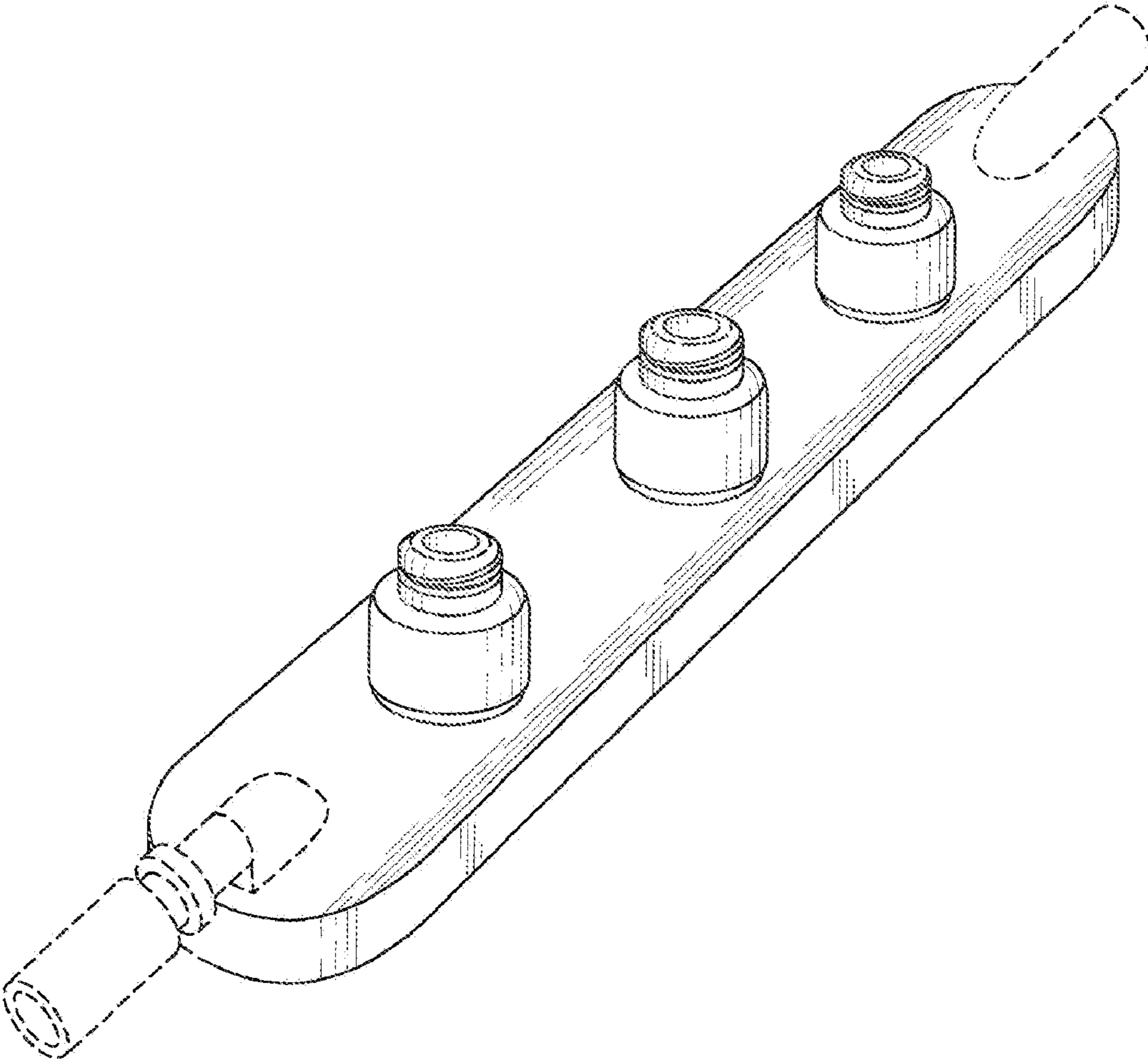


FIG. 1

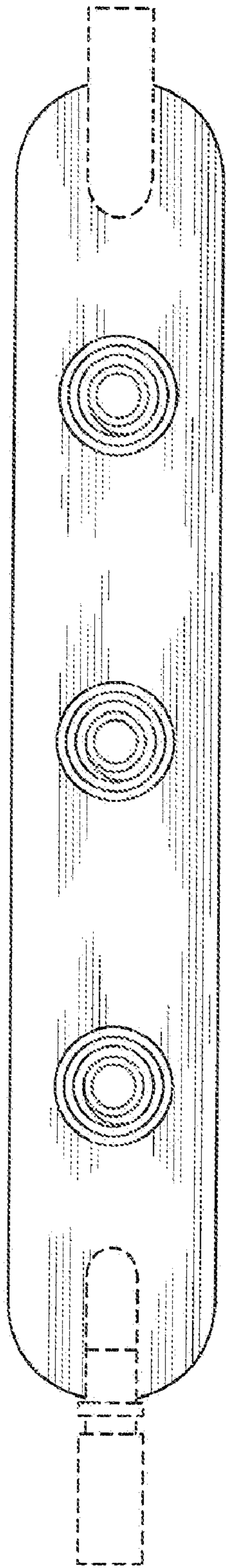


FIG. 2

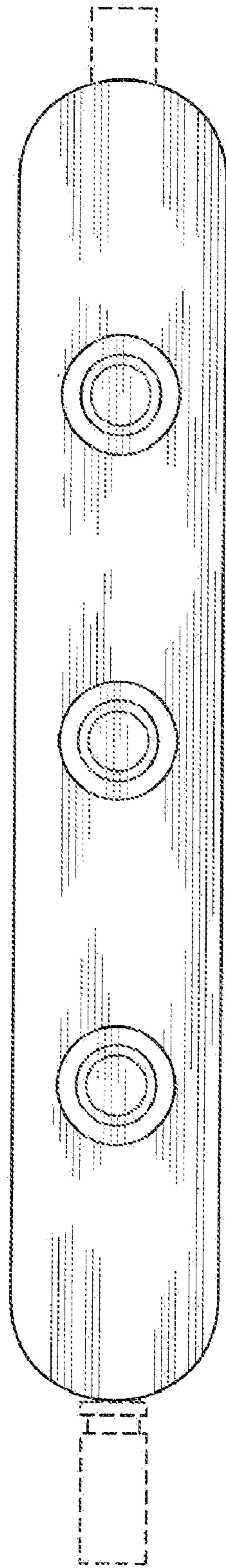


FIG. 3

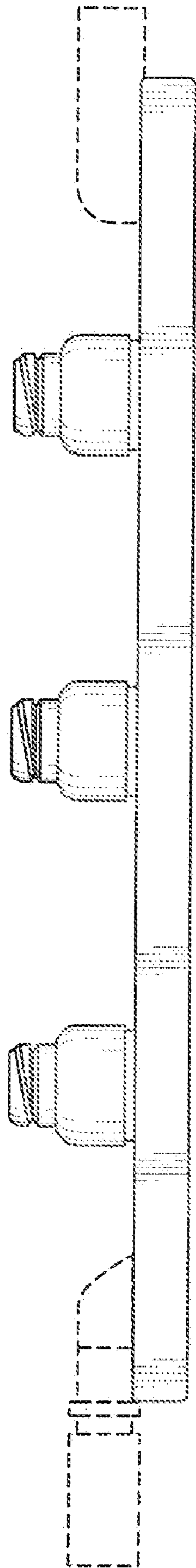


FIG. 4

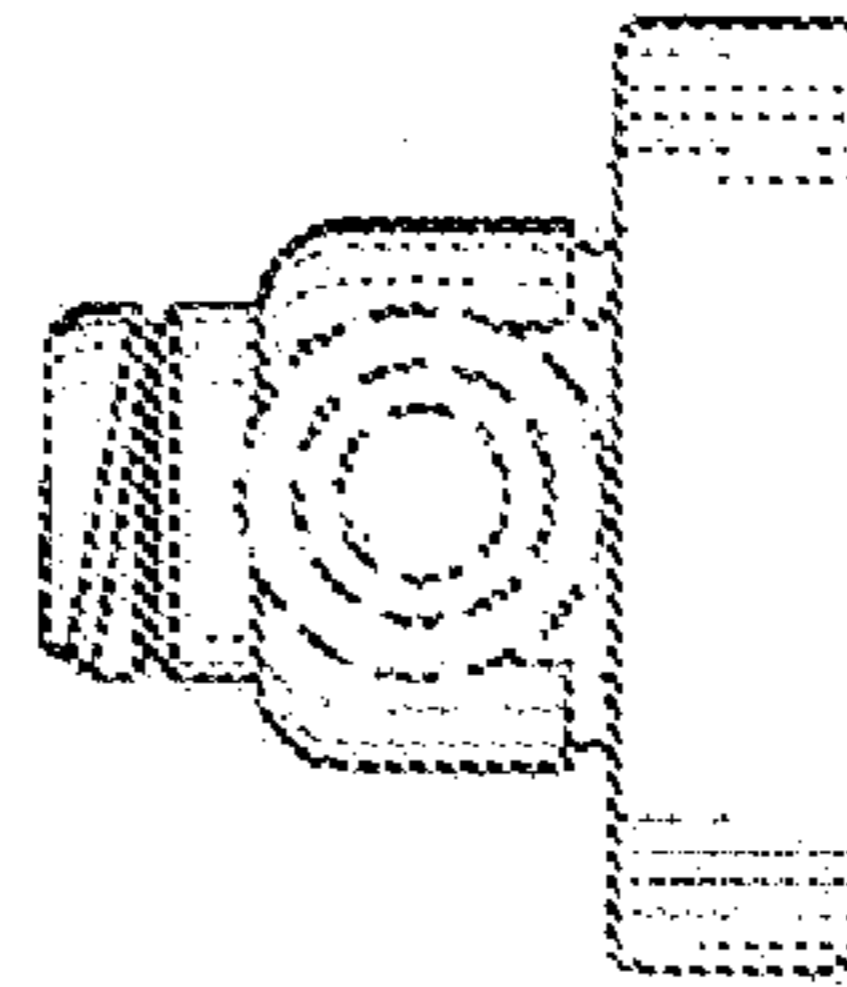


FIG. 6

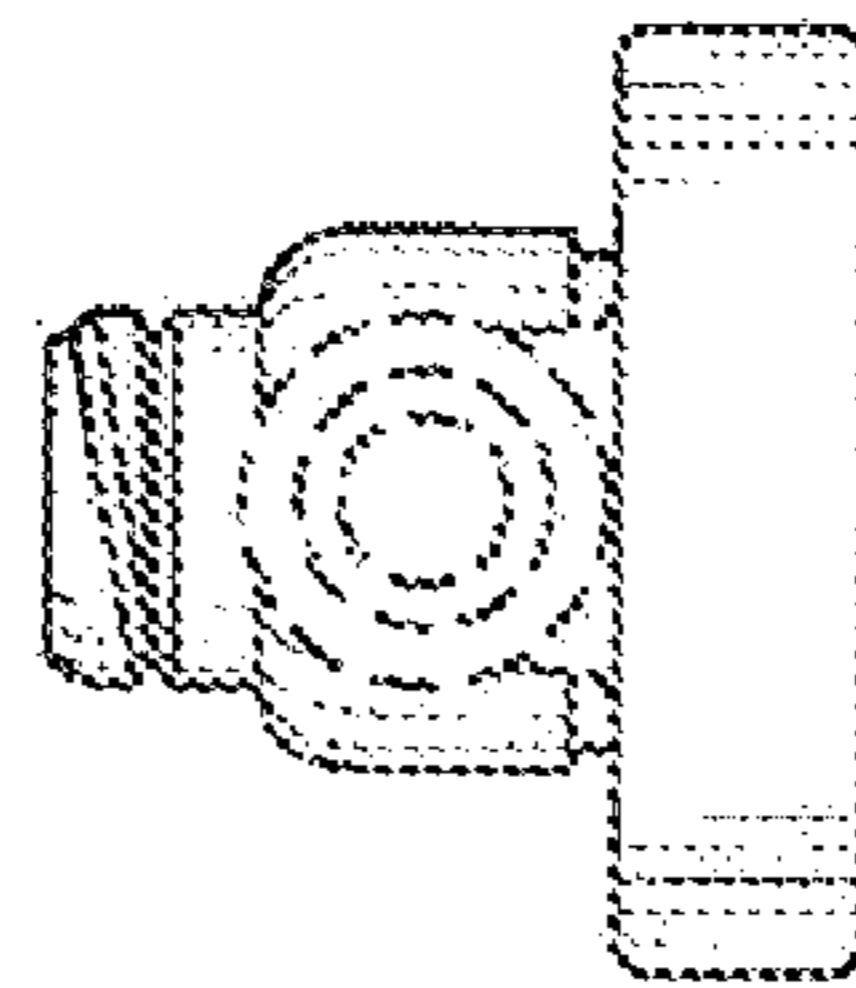


FIG. 5