



US00D569381S

(12) **United States Design Patent** (10) **Patent No.:** **US D569,381 S**
Sculler et al. (45) **Date of Patent:** **** May 20, 2008**

(54) **FLAT PANEL DISPLAY MOUNT**

(75) Inventors: **Steven J. Sculler**, Morganville, NJ (US); **Michael P. Zambelli**, Basking Ridge, NJ (US); **In-Young Jang**, Ridgefield, NJ (US); **Jimmy An**, South Plainfield, NJ (US)

(73) Assignee: **Bell'O International Corp.**, Morganville, NJ (US)

(**) Term: **14 Years**

(21) Appl. No.: **29/270,801**

(22) Filed: **Jan. 3, 2007**

(51) **LOC (8) Cl.** **14-03**

(52) **U.S. Cl.** **D14/452**

(58) **Field of Classification Search** D14/451, D14/452, 129, 209, 217, 224, 237, 238, 239, D14/432, 439, 447, 448; D8/349, 354, 355, D8/363, 373, 380; 248/176.1, 201, 205.1, 248/220.21, 223.31, 231.9, 274.1, 276.1, 248/281.11, 284.1, 286.1, 309.1, 316.1, 323, 248/324, 349.1, 371, 398, 425, 917, 918, 248/919, 920, 921, 922, 923, 924, 121, 124.1, 248/127, 291.1, 313; 348/825, 827

See application file for complete search history.

(56) **References Cited**

U.S. PATENT DOCUMENTS

4,814,759	A	3/1989	Gombrich et al.
5,321,579	A	6/1994	Brown et al.
5,743,503	A	4/1998	Voeller et al.
5,842,672	A	12/1998	Sweere et al.
5,924,665	A	7/1999	Sweere et al.
5,992,809	A	11/1999	Sweere et al.
6,019,332	A	2/2000	Sweere et al.
6,102,348	A	8/2000	O'Neill
6,367,756	B1	4/2002	Wang et al.
6,402,109	B1	6/2002	Dittmer
6,419,196	B1	7/2002	Sweere et al.
6,543,734	B2	4/2003	Yeh et al.
6,554,242	B2	4/2003	Kim et al.

6,559,829	B1	5/2003	Matsuo et al.
6,575,419	B1	6/2003	Masuda et al.
6,585,203	B1	7/2003	Euker
6,604,722	B1	8/2003	Tan et al.
D489,599	S *	5/2004	Lam D8/363
6,752,363	B2	6/2004	Boele et al.
D493,800	S	8/2004	Pfister et al.
D494,596	S	8/2004	Pfister
D494,978	S	8/2004	Pfister
6,783,105	B2	8/2004	Oddsens, Jr.
D495,713	S	9/2004	Pfister et al.
6,886,701	B2	5/2005	Hong et al.
D505,858	S *	6/2005	O'Keene D8/355
6,905,101	B1	6/2005	Dittmer
6,915,996	B2	7/2005	Lin et al.
6,923,413	B2	8/2005	Dozier
6,964,399	B1	11/2005	O'Neill
7,000,878	B2	2/2006	Lin et al.
D517,085	S	3/2006	Deuschle

(Continued)

Primary Examiner—Cathron Brooks
Assistant Examiner—Angela J Lee
(74) *Attorney, Agent, or Firm*—Lerner, David, Littenberg, Krumholz & Mentlik, LLP.

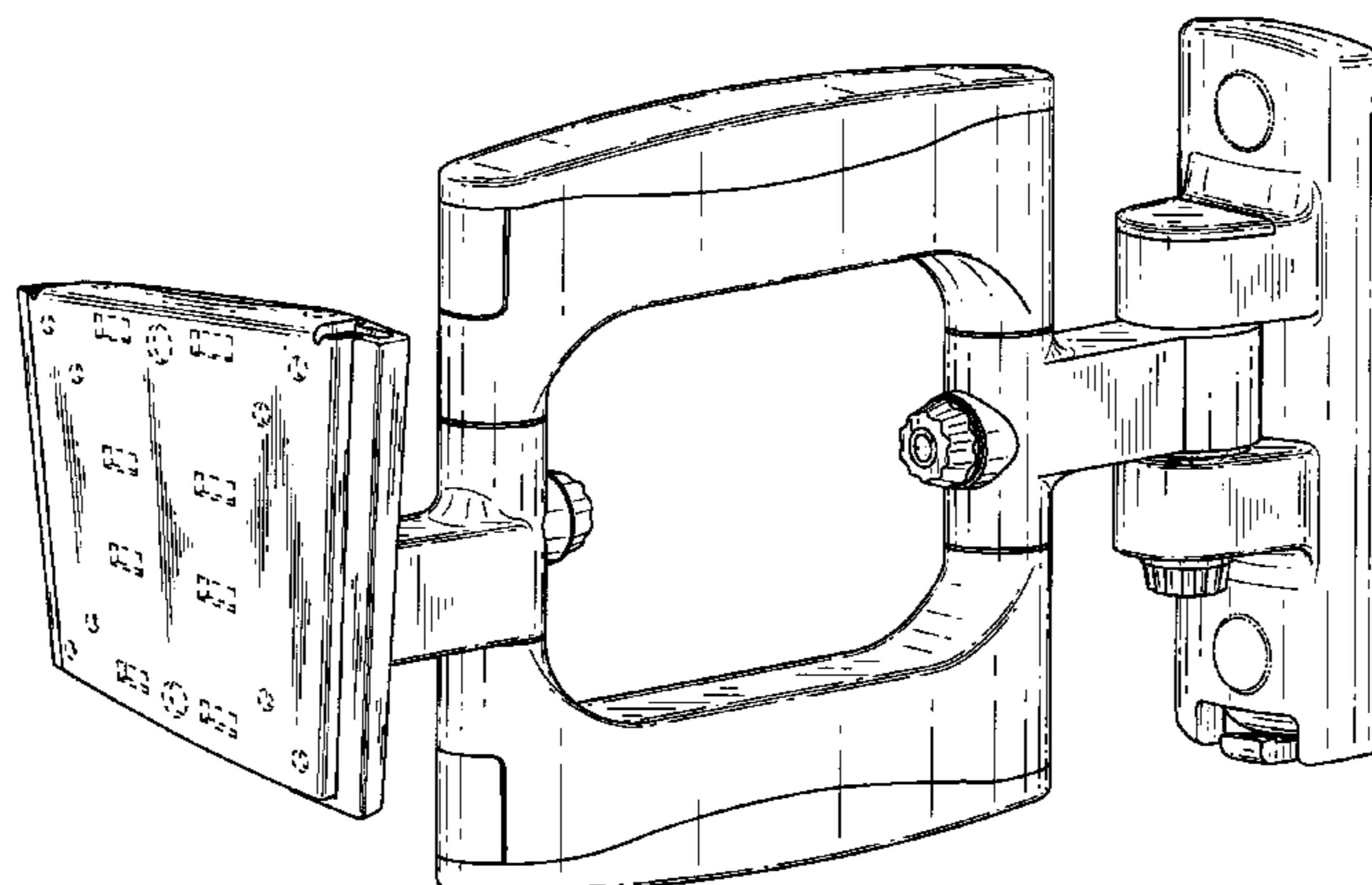
(57) **CLAIM**

The ornamental design for flat panel display mount, as shown and described.

DESCRIPTION

FIG. 1 is a front perspective view of the subject flat panel display mount;
FIG. 2 is a rear elevational view thereof;
FIG. 3 is a left side view thereof;
FIG. 4 is a right side view thereof;
FIG. 5 is a top plan view thereof; and,
FIG. 6 is a bottom plan view thereof.
The broken line showing of portions of the flat panel display mount forms no part of the claimed design.

1 Claim, 6 Drawing Sheets



US D569,381 S

Page 2

U.S. PATENT DOCUMENTS

D543,210 S *	5/2007	Stenhouse et al.	D14/452	2004/0251388 A1	12/2004	Williams
D543,211 S *	5/2007	Petrick et al.	D14/452	2004/0262474 A1	12/2004	Boks et al.
D552,974 S *	10/2007	Petrick et al.	D8/363	2005/0061937 A1	3/2005	Kim
D558,561 S *	1/2008	Ciungan	D8/363	2005/0092873 A1	5/2005	Lin
D558,562 S *	1/2008	Ciungan et al.	D8/363	2005/0092890 A1	5/2005	Liao
D558,563 S *	1/2008	Ciungan	D8/363	2005/0121577 A1	6/2005	Oddsens et al.
2002/0033436 A1	3/2002	Peng et al.		2005/0127261 A1	6/2005	Lin
2002/0179791 A1	12/2002	Kwon		2005/0133678 A1	6/2005	Dittmer
2002/0179801 A1	12/2002	Kim		2005/0152102 A1	7/2005	Shin
2003/0132356 A1	7/2003	Copeland		2005/0236542 A1	10/2005	O'Neill
2003/0136888 A1	7/2003	Boele		2005/0236543 A1	10/2005	O'Neil
2003/0154673 A1	8/2003	MacGregor et al.		2005/0242254 A1	11/2005	Dozier
2003/0201372 A1	10/2003	Dozier		2005/0253035 A1	11/2005	Dozier
2004/0159757 A1	8/2004	Pfister		2005/0263659 A1	12/2005	Pfister et al.
2004/0211870 A1	10/2004	Bremmon et al.		2005/0263671 A1	12/2005	Lo
2004/0232298 A1	11/2004	Bremmon et al.		2005/0274858 A1	12/2005	Fedewa
2004/0245420 A1	12/2004	Pfister et al.				

* cited by examiner

FIG. 1

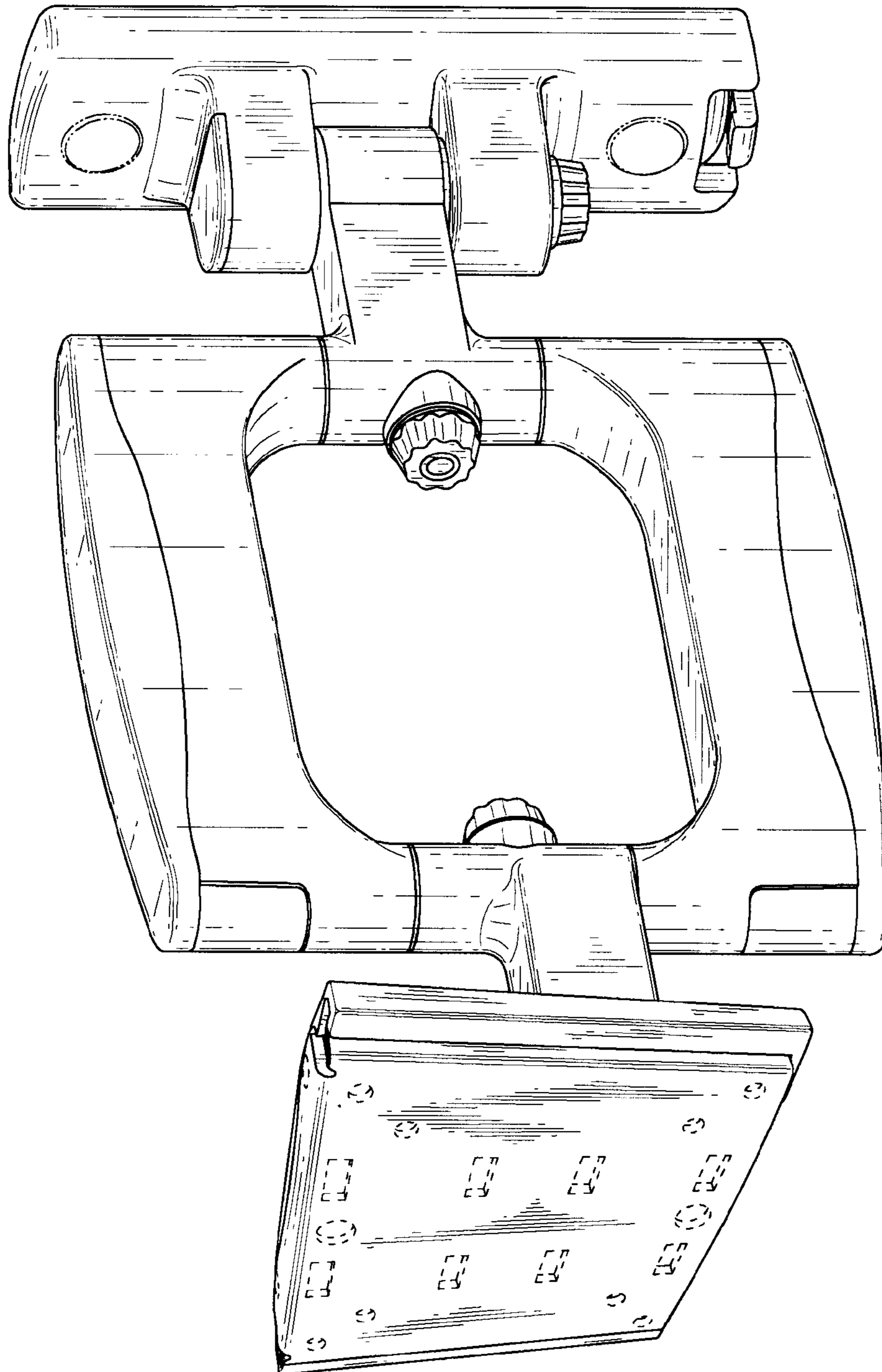


FIG. 2

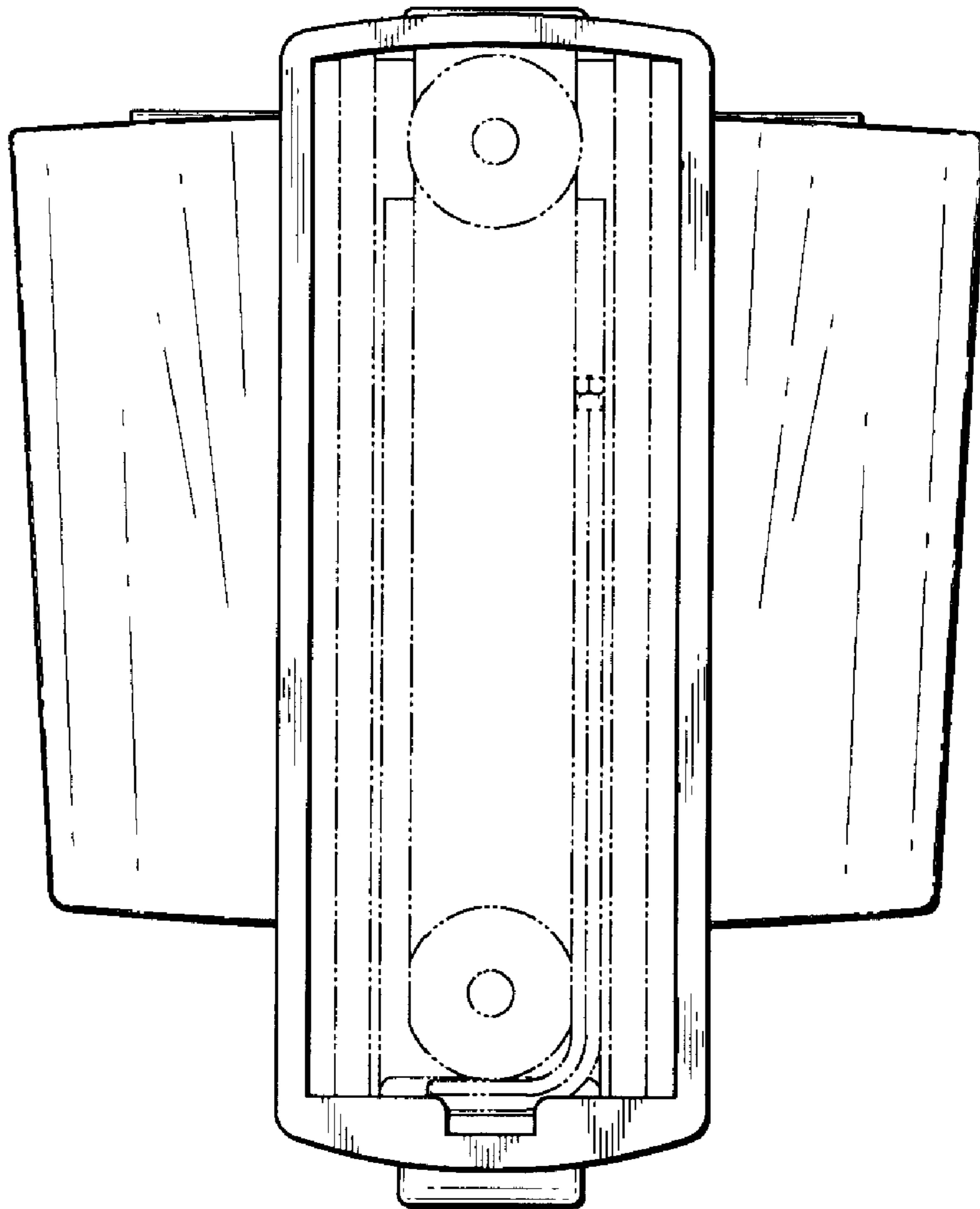


FIG. 3

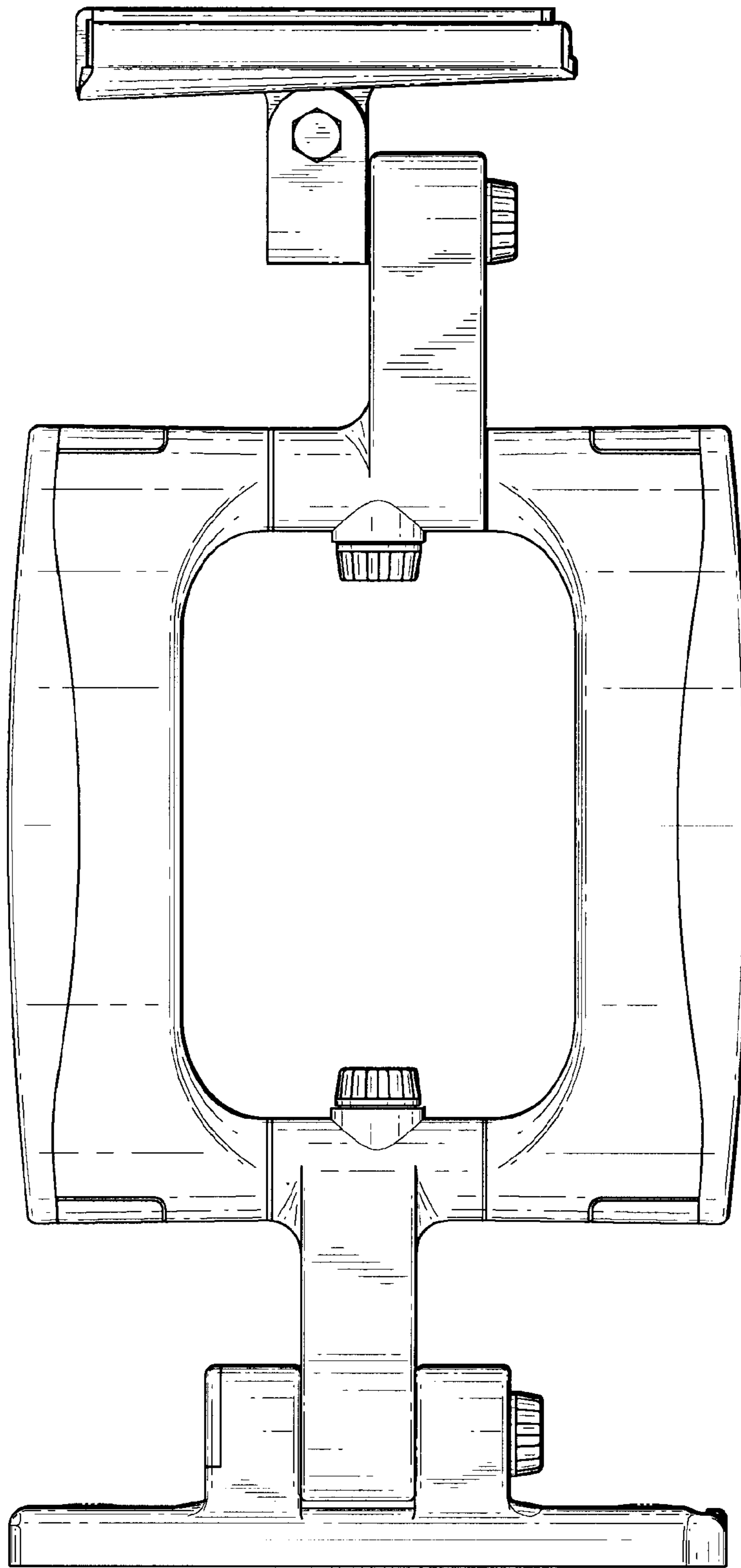
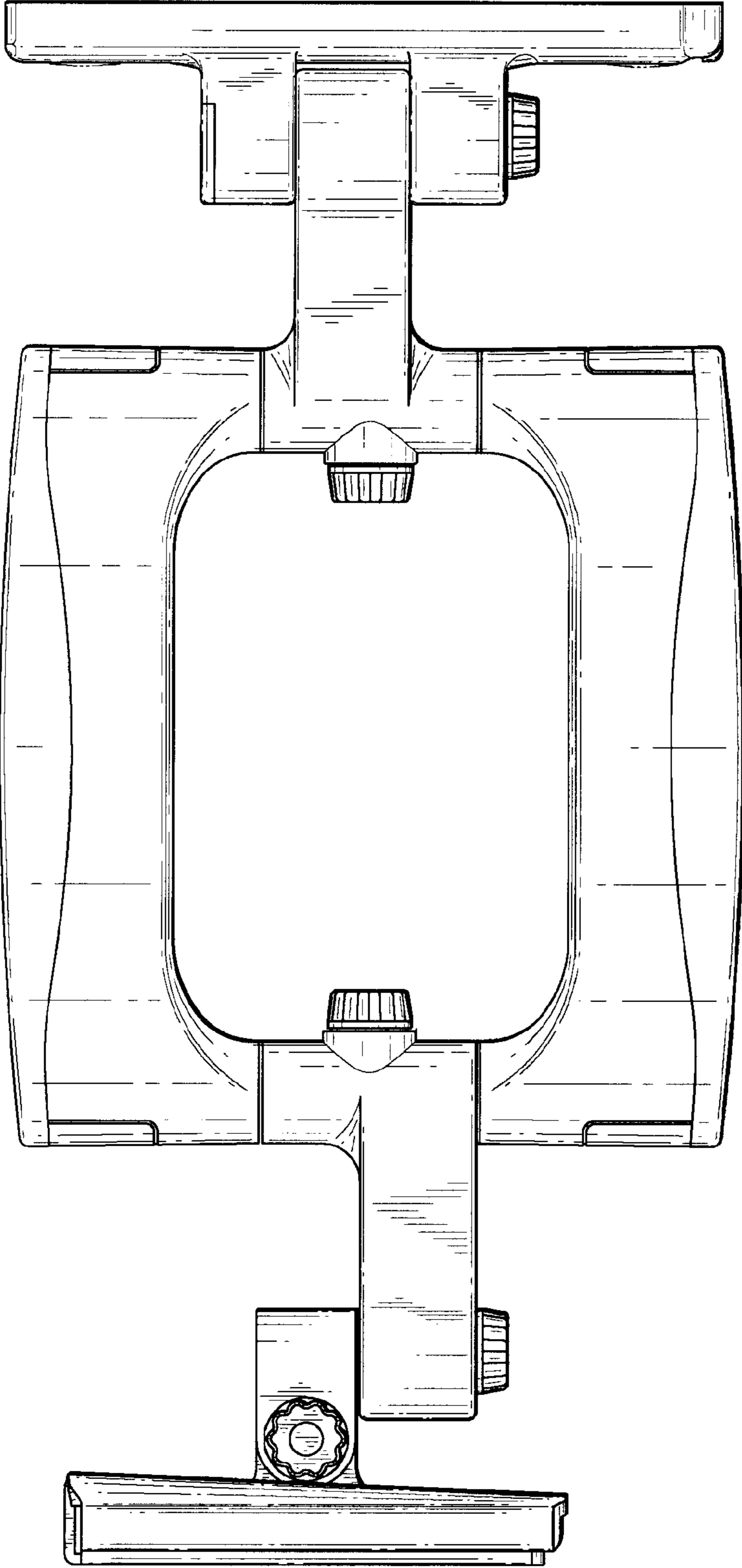


FIG. 4



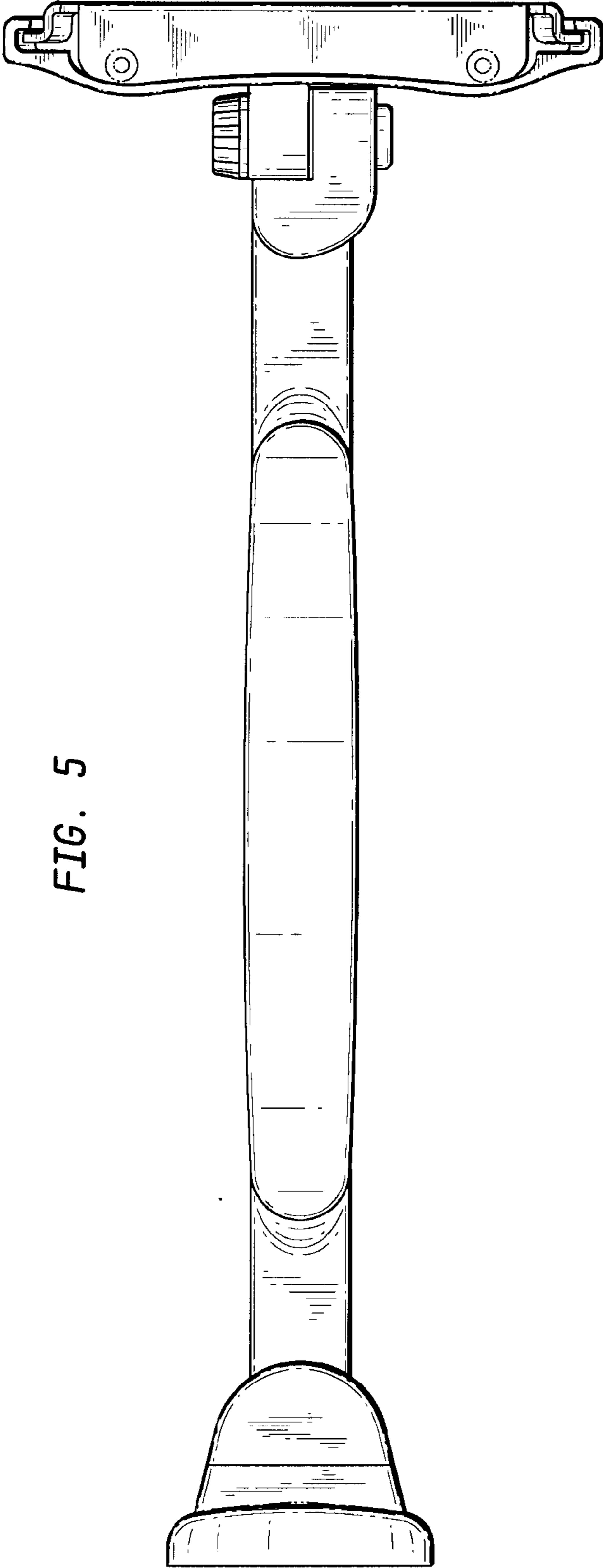


FIG. 5

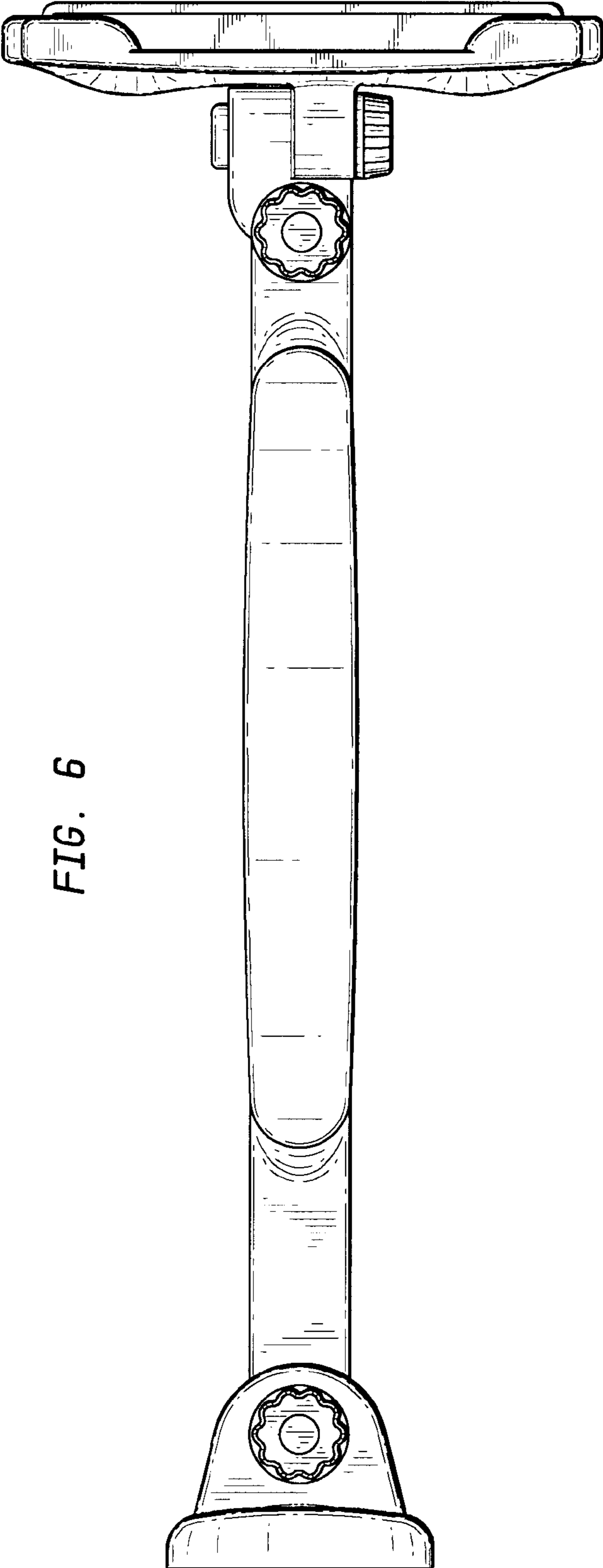


FIG. 6