



US00D569379S

(12) **United States Design Patent**
Champion et al.

(10) **Patent No.: US D569,379 S**

(45) **Date of Patent: ** May 20, 2008**

(54) **DISK DRIVE CARRIER FOR A NETWORK ATTACHED STORAGE UNIT**

(75) Inventors: **David F. Champion**, Durham, NC (US); **Aaron R. Cox**, Tucson, AZ (US); **Gerard F. Muenkel**, Raleigh, NC (US); **Edward J. Vitek, Jr.**, Raleigh, NC (US)

(73) Assignee: **International Business Machines Corporation**, Armonk, NY (US)

(**) Term: **14 Years**

(21) Appl. No.: **29/246,219**

(22) Filed: **Mar. 23, 2006**

(51) **LOC (8) Cl.** **14-02**

(52) **U.S. Cl.** **D14/439; D14/432; D14/435**

(58) **Field of Classification Search** D14/363, D14/366, 367, 370, 432, 435, 438, 439, 442, D14/483, 194, 196, 198, 162, 168; D13/162, D13/184, 199; 361/679-87, 728-32, 736, 361/740; 439/296, 304, 374, 376, 377; 312/223.1, 312/223.3; 360/99.01-99.12; 369/34.01, 369/36.01

See application file for complete search history.

(56) **References Cited**

U.S. PATENT DOCUMENTS

5,652,695	A *	7/1997	Schmitt	361/685
D407,079	S *	3/1999	Wu	D14/447
D409,171	S *	5/1999	Wu	D14/439
D458,924	S *	6/2002	Tsuyuki et al.	D14/367
D475,061	S *	5/2003	Huang	D14/483

6,650,533	B2 *	11/2003	Curtis et al.	361/685
6,661,651	B1 *	12/2003	Tanzer et al.	361/685
D490,083	S *	5/2004	Wu	D14/439
6,876,547	B2 *	4/2005	McAlister	361/685
2003/0011979	A1 *	1/2003	Tanzer et al.	361/685
2003/0011981	A1 *	1/2003	Curtis et al.	361/685
2004/0095716	A1 *	5/2004	McAlister	361/685
2004/0150947	A1 *	8/2004	Tang	361/685

* cited by examiner

Primary Examiner—Melanie Tung

Assistant Examiner—Susan Moon Lee

(74) *Attorney, Agent, or Firm*—James R. Nock

(57) **CLAIM**

We claim the ornamental design for a disk drive carrier for a network attached storage unit, as shown and described.

DESCRIPTION

FIG. 1 is a front, right perspective view of the disk drive carrier for a network attached storage unit;

FIG. 2 is a front, left perspective view of the disk drive carrier;

FIG. 3 is a front view of the disk drive carrier;

FIG. 4 is a greatly enlarged top view of the disk drive carrier;

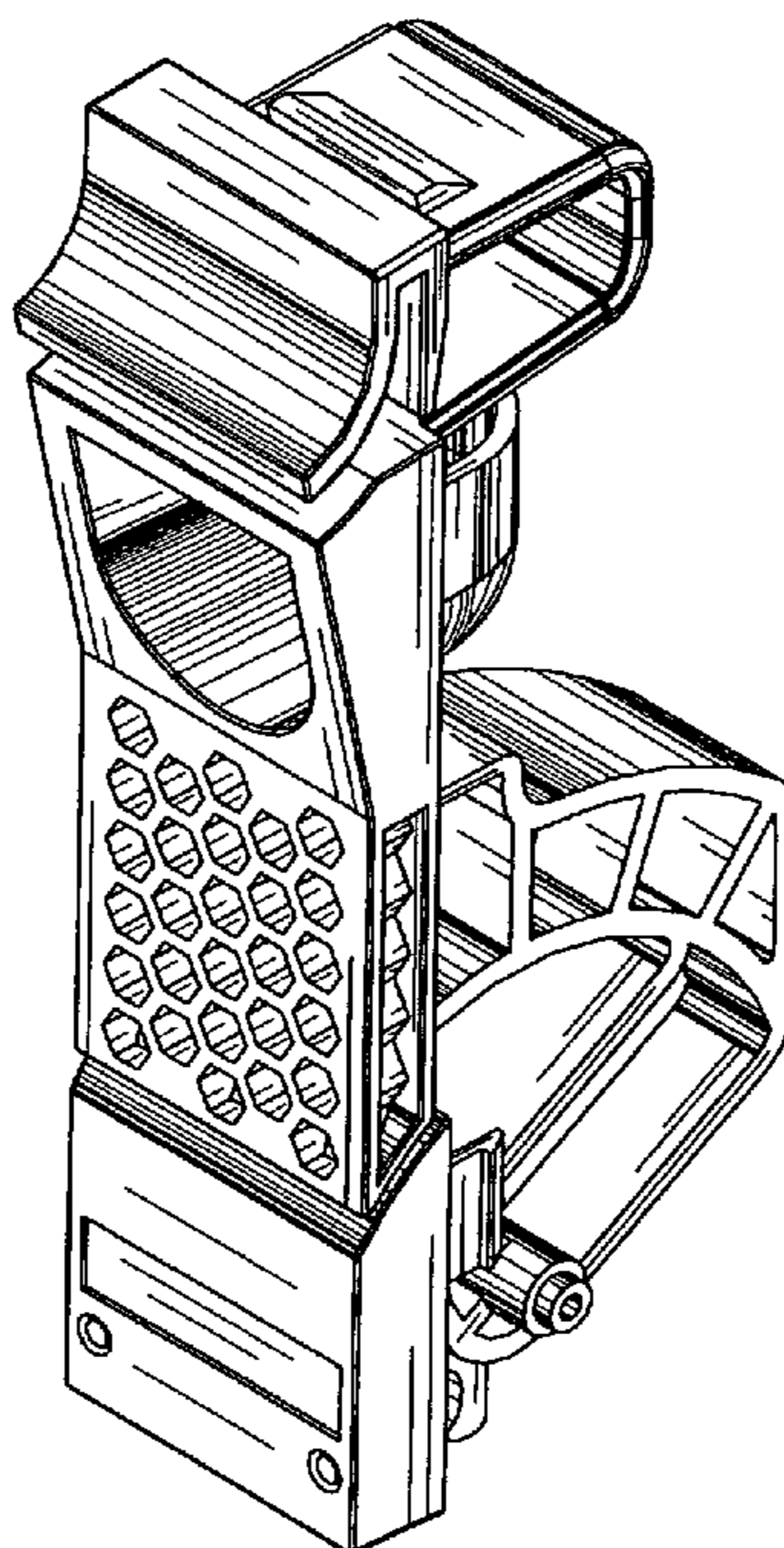
FIG. 5 is an enlarged left side view of the disk drive carrier;

FIG. 6 is an enlarged right side view of the disk drive carrier;

FIG. 7 is an enlarged rear view of the disk drive carrier; and,

FIG. 8 is a greatly enlarged bottom view of the disk drive carrier.

1 Claim, 8 Drawing Sheets



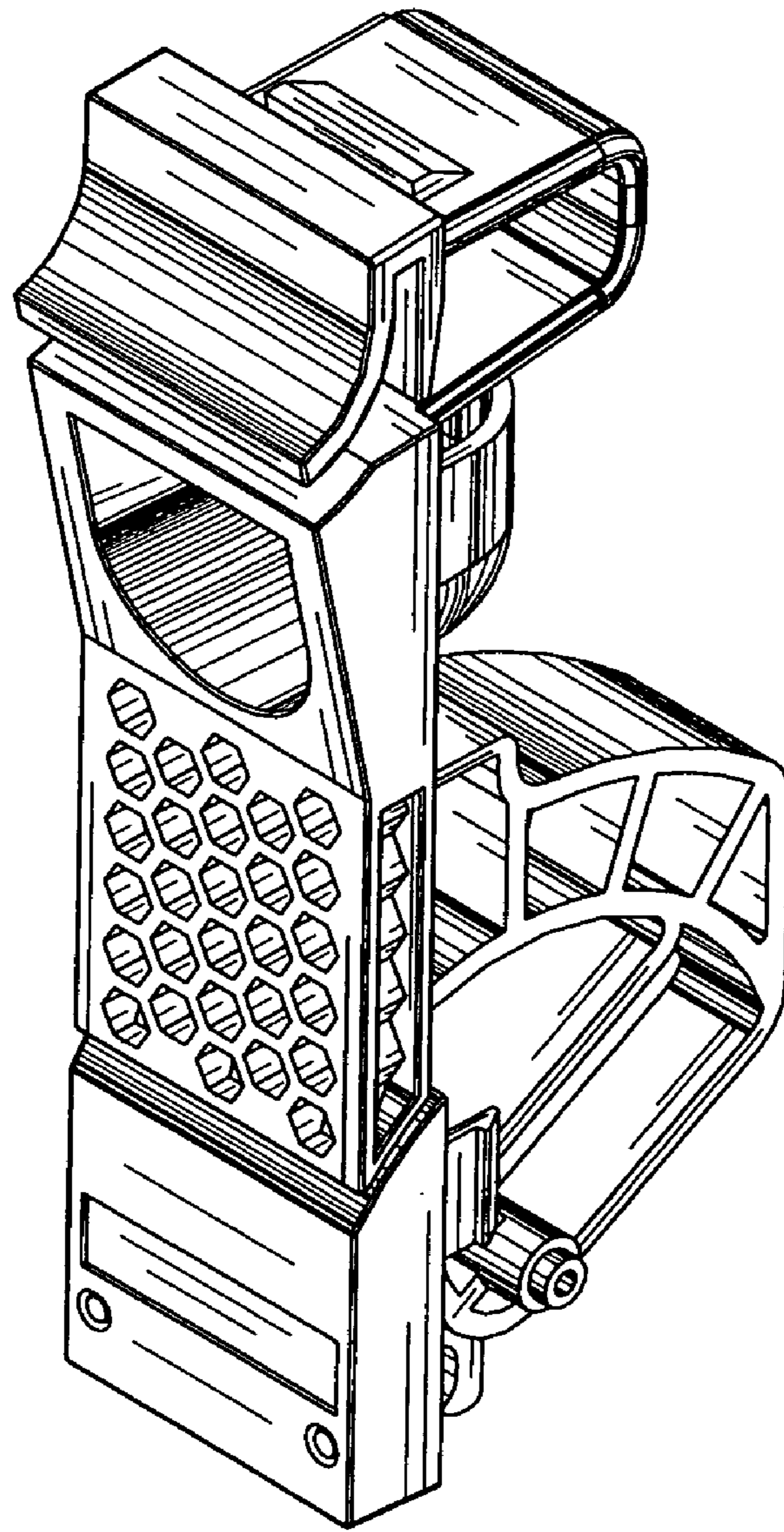


Fig. 1

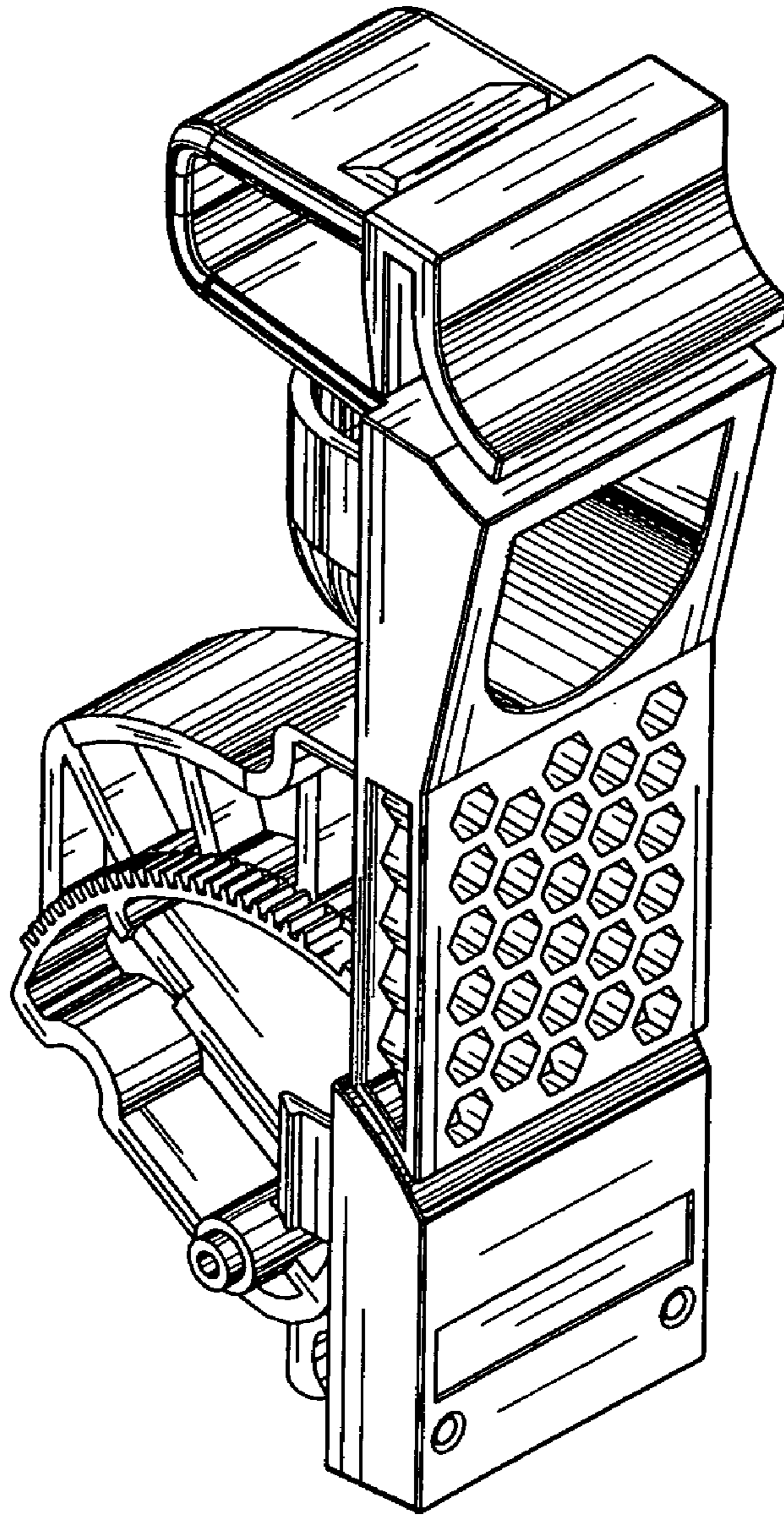


Fig.2

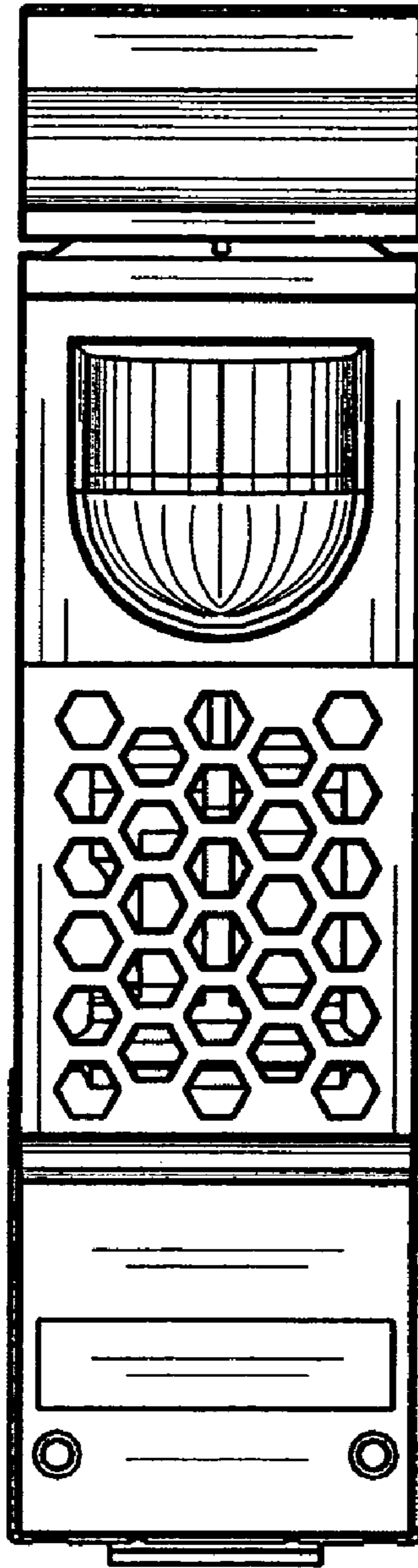


Fig. 3

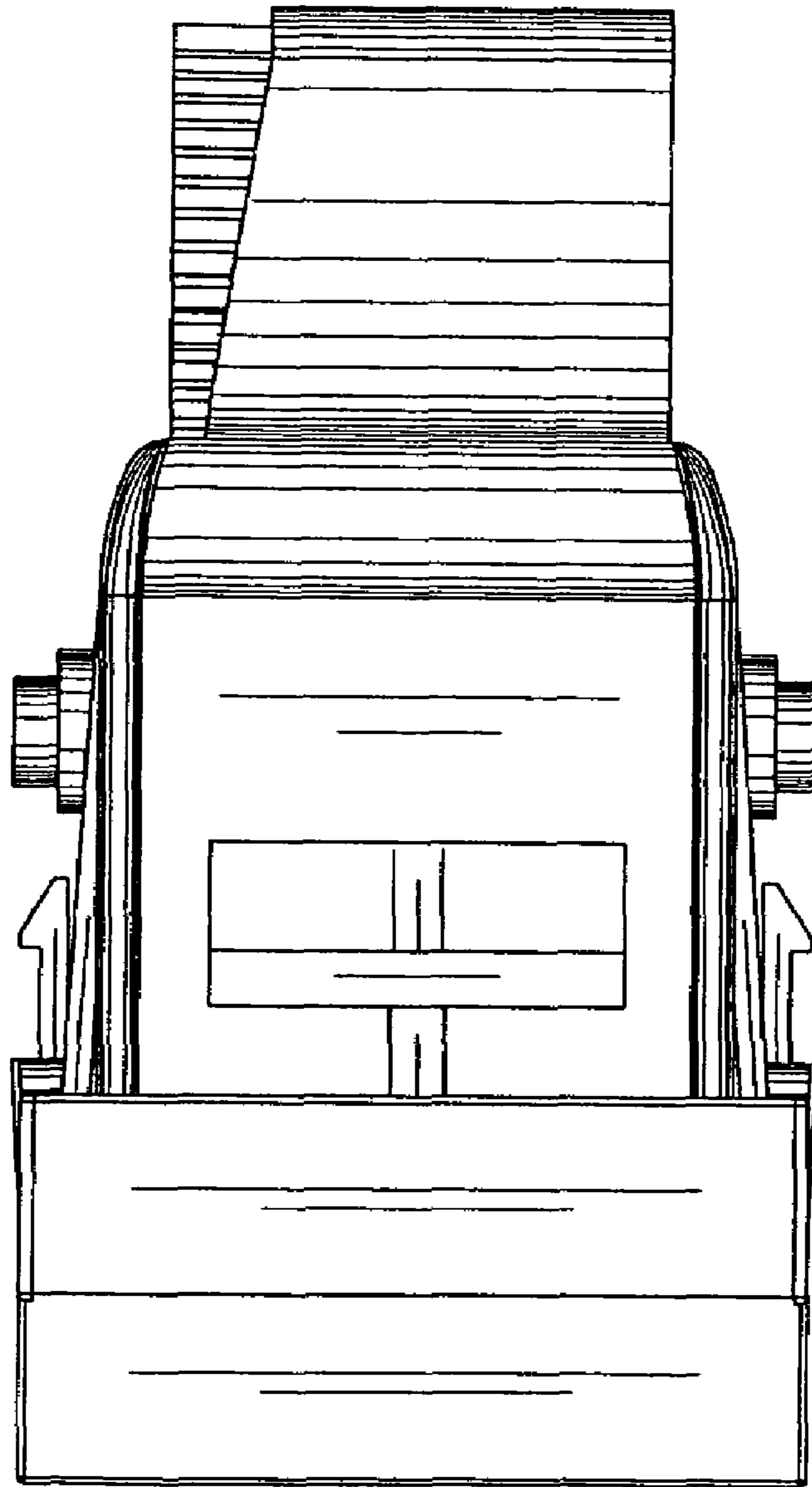


Fig. 4

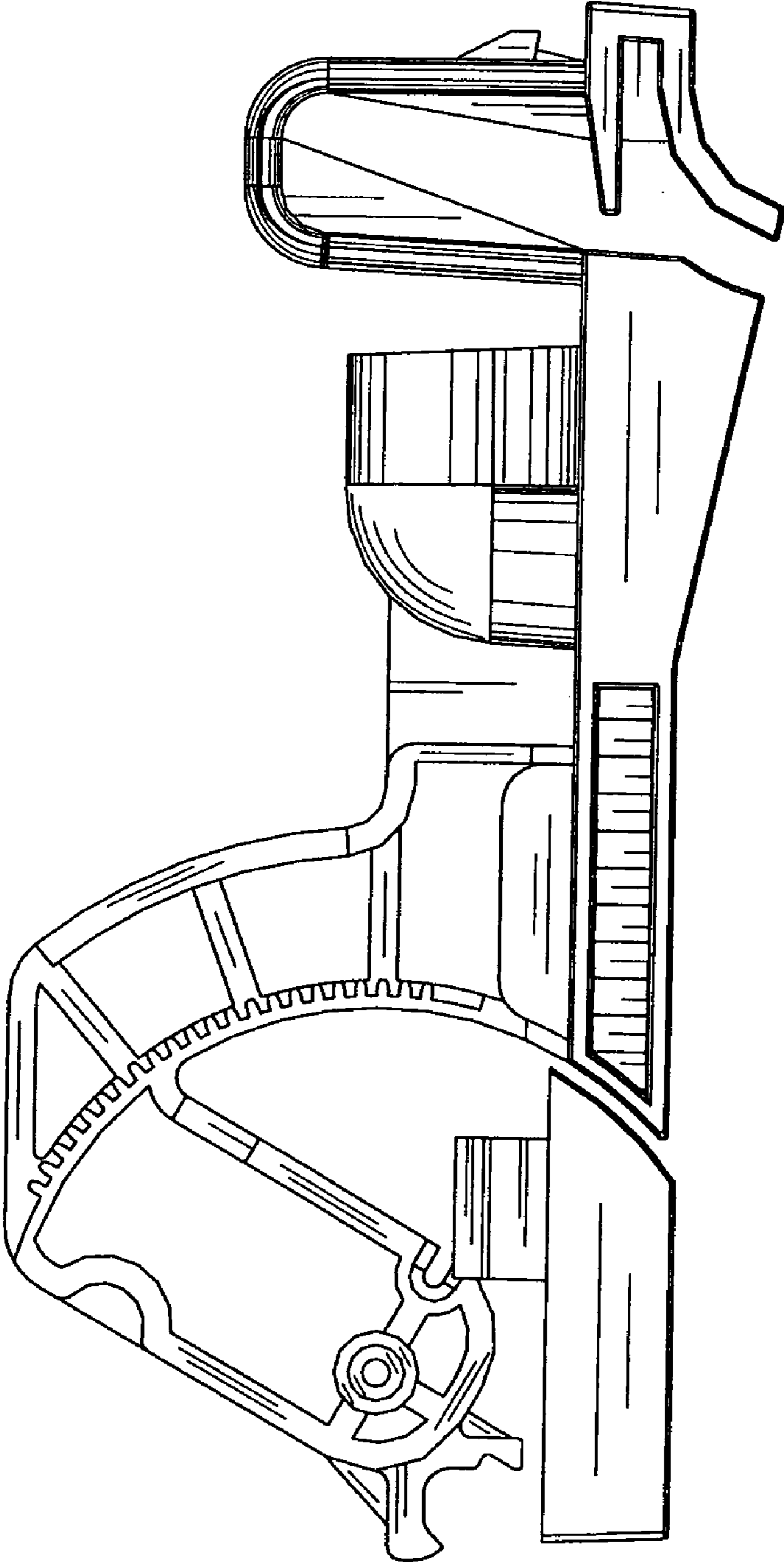


Fig. 5

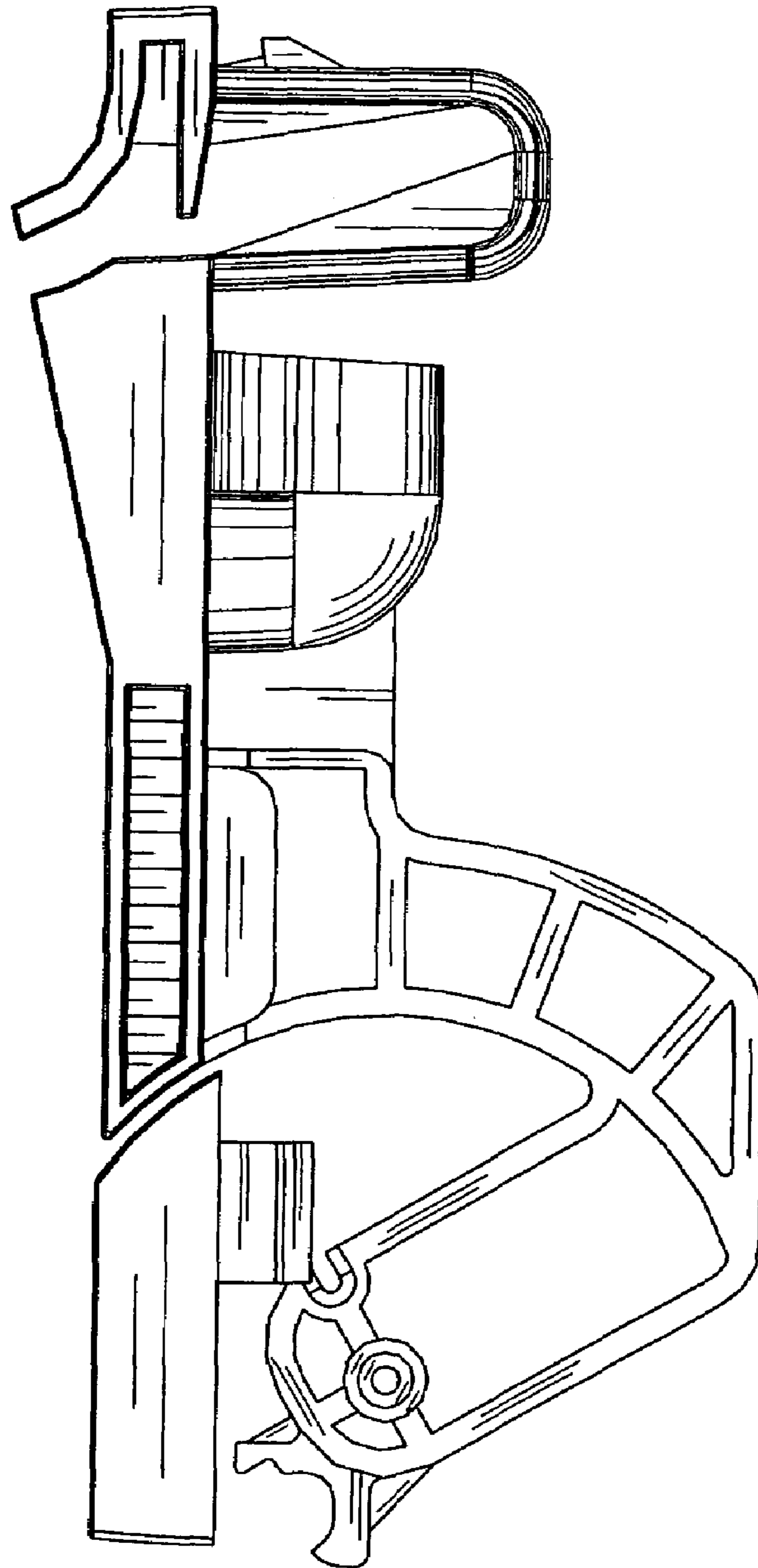


Fig. 6

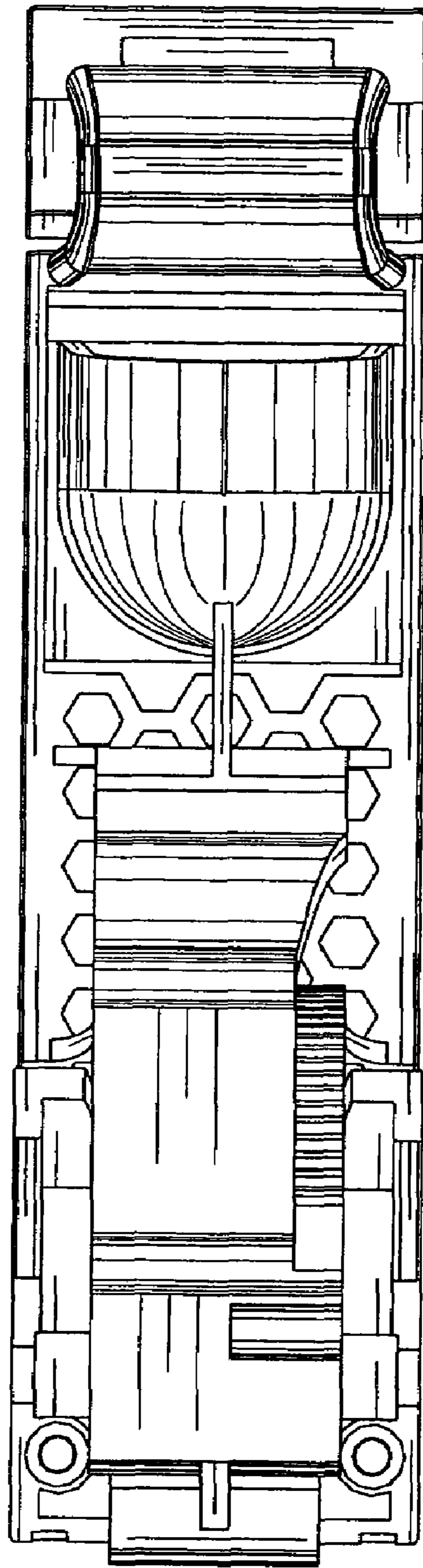


Fig. 7

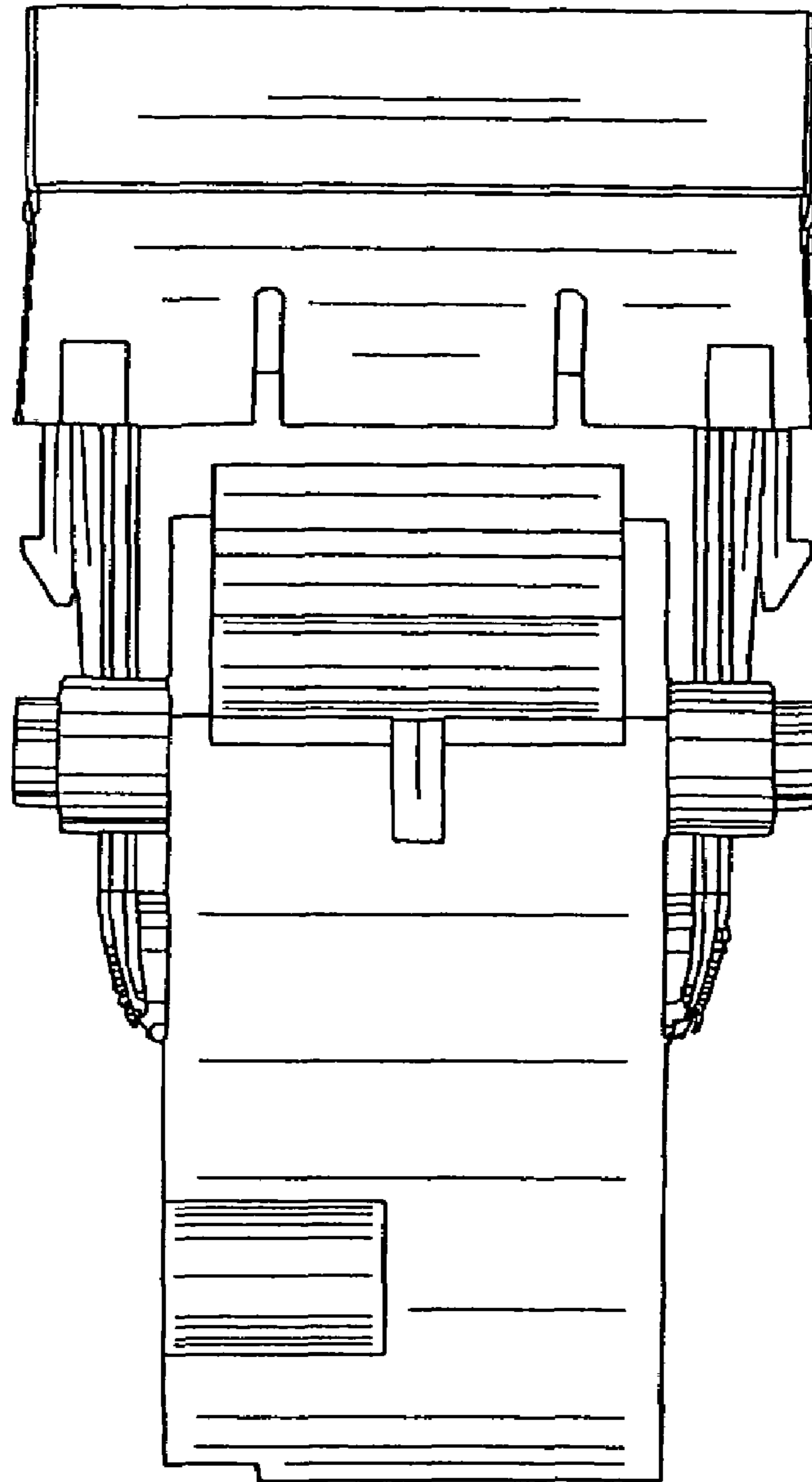


Fig. 8