



US00D569374S

(12) **United States Design Patent** (10) **Patent No.:** **US D569,374 S**
Kataoka et al. (45) **Date of Patent:** **** May 20, 2008**

(54) **PORTABLE MOBILE COMPUTER**

(75) Inventors: **Tetsu Kataoka**, Tokyo (JP); **Shiger Mitsuhiro**, Tokyo (JP); **Eun-Young Kim**, Seoul (KR)

(73) Assignee: **Samsung Electronics Co., Ltd.**, Suwon, Kyunggi-Do (KR)

(**) Term: **14 Years**

(21) Appl. No.: **29/269,012**

(22) Filed: **Nov. 17, 2006**

(51) **LOC (8) Cl.** **14-02**

(52) **U.S. Cl.** **D14/341**

(58) **Field of Classification Search** D14/341, D14/342, 343, 344, 345, 346, 347, 452, 374, D14/426, 496, 137, 138, 247, 248, 455, 456, D14/420, 427, 432, 439, 440, 441, 448, 125, D14/129, 130, 250, 389, 147, 218, 156, 126; D21/517, 329, 331, 686; D18/7, 6; D10/65, D10/104; 345/169, 173; 379/433.04, 433.06, 379/433.07, 433.11, 433.12, 433.13; 348/14.02; 455/556.1, 556.2, 566, 575.1, 575.4, 90.3, 455/575.3; 349/12; D13/168; D6/596, D6/601, 605; 361/814; 341/22

See application file for complete search history.

(56) **References Cited**

U.S. PATENT DOCUMENTS

D499,423 S *	12/2004	Bahroocha et al.	D14/496
D501,185 S *	1/2005	Sato et al.	D14/126
D506,937 S *	7/2005	Lee et al.	D10/65
D507,003 S *	7/2005	Pai et al.	D14/496
D517,042 S	3/2006	Byun et al.		
D518,472 S	4/2006	Byun et al.		
D528,544 S	9/2006	Kim		
D529,045 S *	9/2006	Shin	D14/496

D529,491 S *	10/2006	Ball	D14/346
D532,791 S *	11/2006	Kim	D14/496
D543,528 S *	5/2007	Kim et al.	D14/138
D554,098 S *	10/2007	Lee	D14/138
D554,635 S *	11/2007	Chung et al.	D14/341
D558,791 S *	1/2008	Toh et al.	D14/496
D560,231 S *	1/2008	Lee	D14/496
D561,758 S *	2/2008	Ball	D14/346

OTHER PUBLICATIONS

U.S. Appl. No. 29/235,002, Applicant: Wesley Millora, filed Jul. 26, 2005 entitled Portable Information Terminal.

U.S. Appl. No. 29/256,358, Applicant: Yang-Juc Lee, et al., filed Mar. 20, 2006 entitled Portable Information Terminal.

U.S. Appl. No. 29/262,197, Applicant: Se-O Lee, et al., filed Jun. 28, 2006 entitled Portable Personal Computer.

* cited by examiner

Primary Examiner—Cathron Brooks

Assistant Examiner—Angela J Lee

(74) *Attorney, Agent, or Firm*—Flynn, Thiel, Boutell & Tanis, P.C.

(57) **CLAIM**

The ornamental design for a portable mobile computer, as shown and described.

DESCRIPTION

FIG. 1 is a top front perspective view of a portable mobile computer showing our new design;

FIG. 2 is a front elevational view thereof;

FIG. 3 is a rear elevational view thereof;

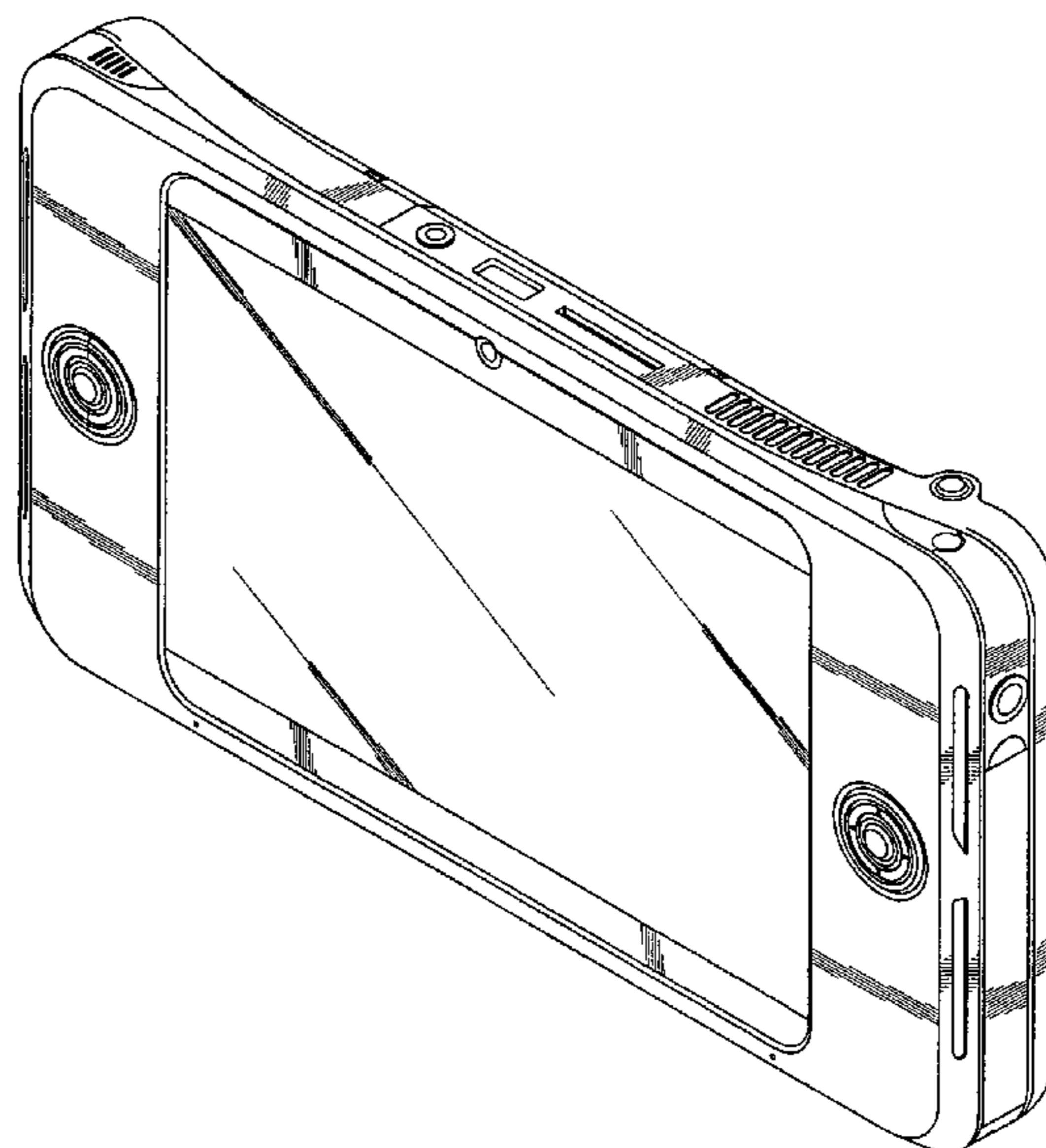
FIG. 4 is a left side elevational view thereof;

FIG. 5 is a right side elevational view thereof;

FIG. 6 is a top plan view thereof; and,

FIG. 7 is a bottom plan view.

1 Claim, 4 Drawing Sheets



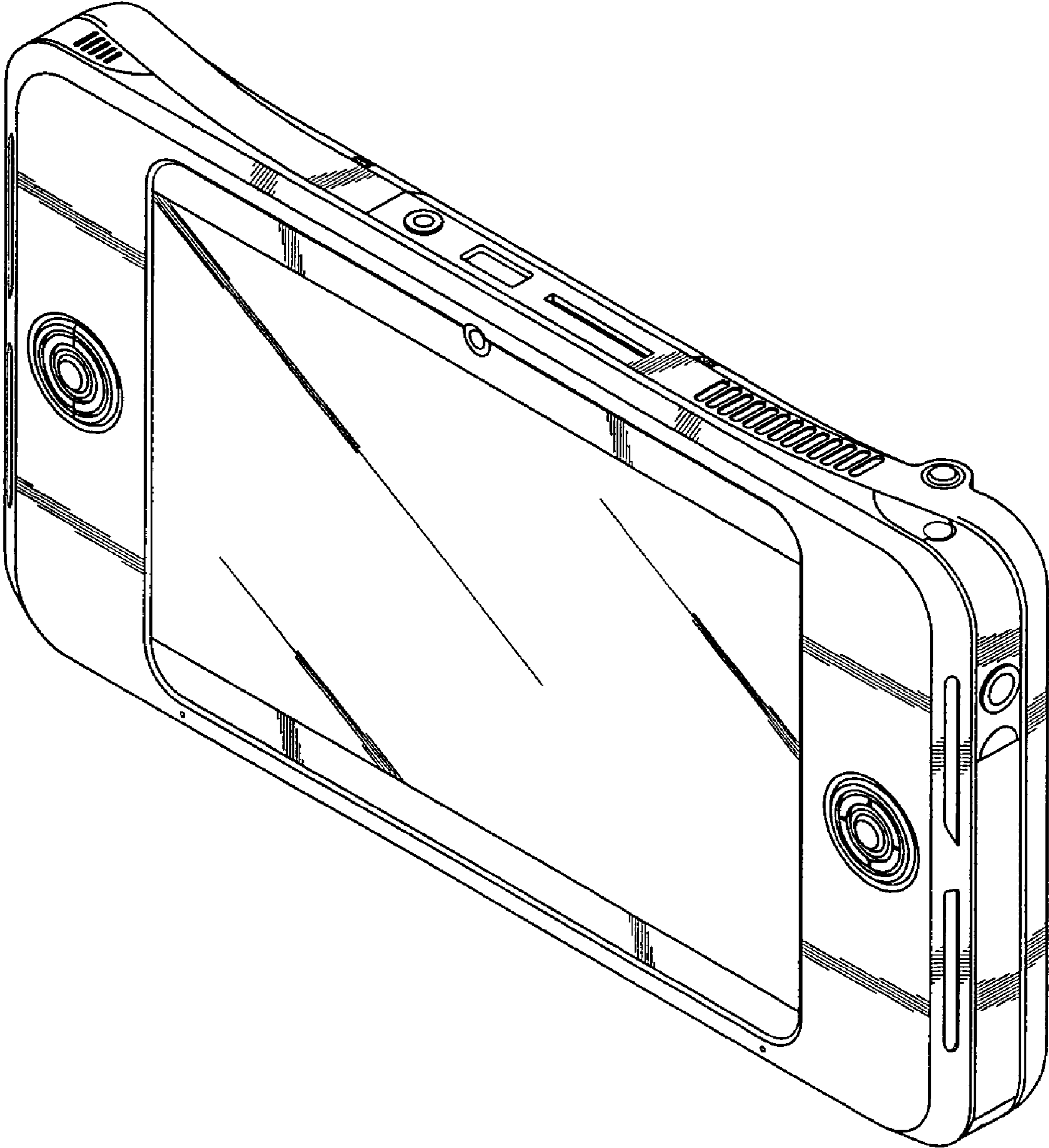


FIG. 1

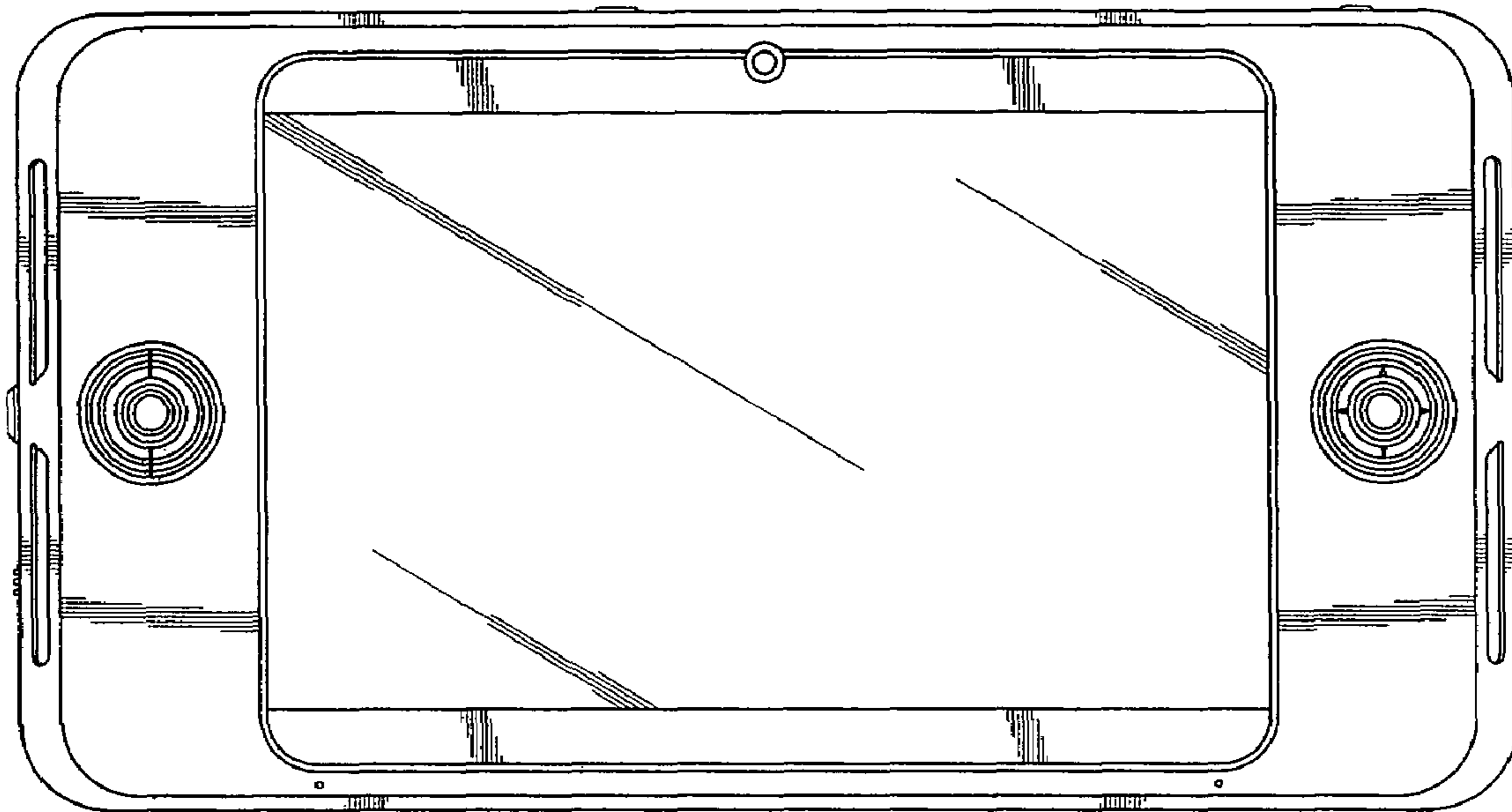


FIG. 2

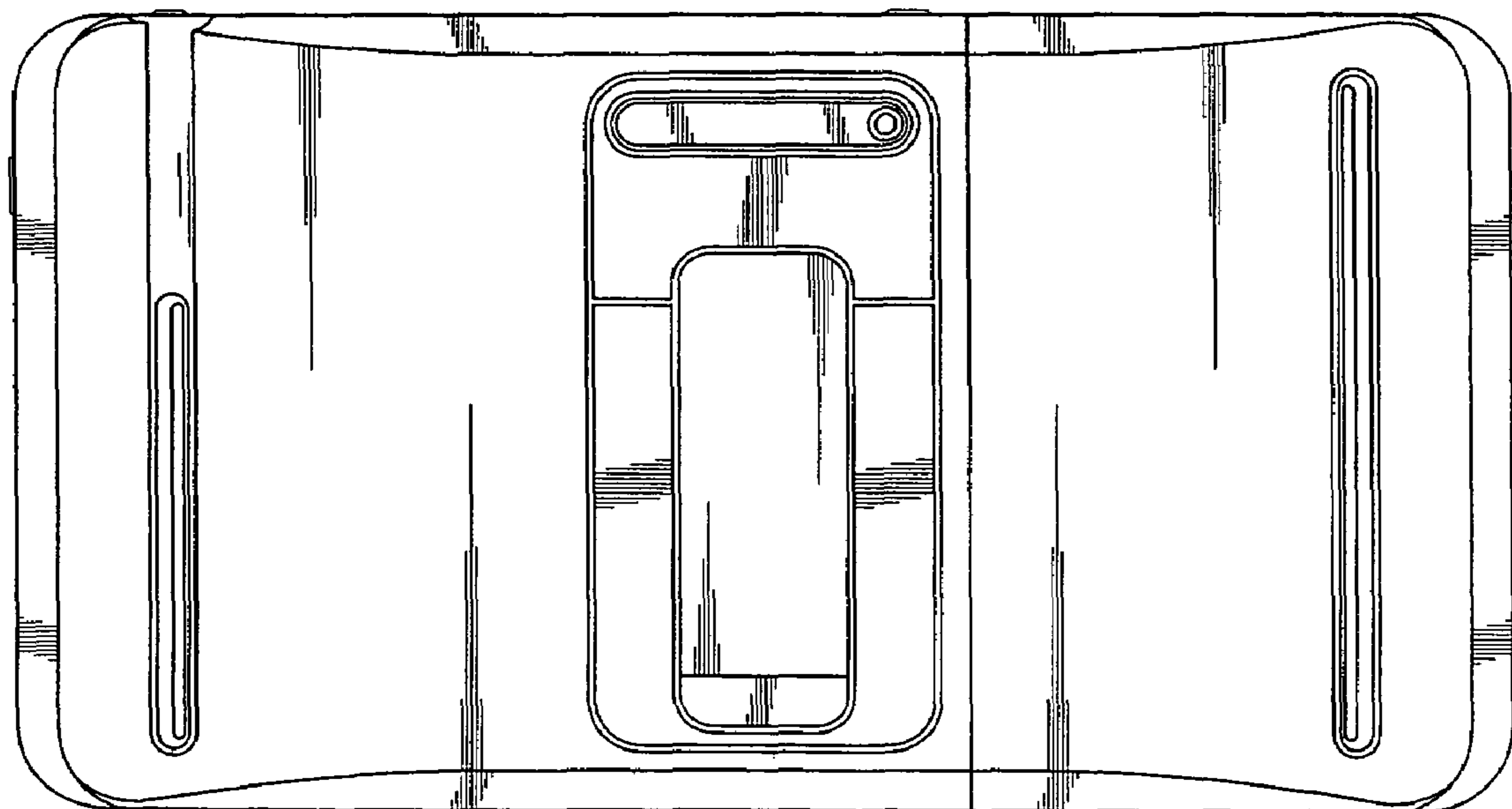


FIG. 3

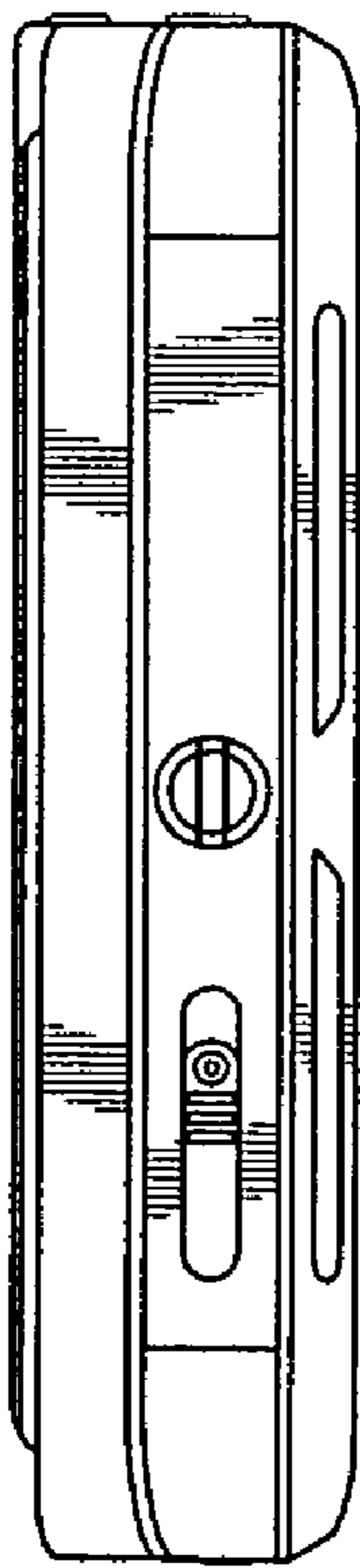


FIG. 4

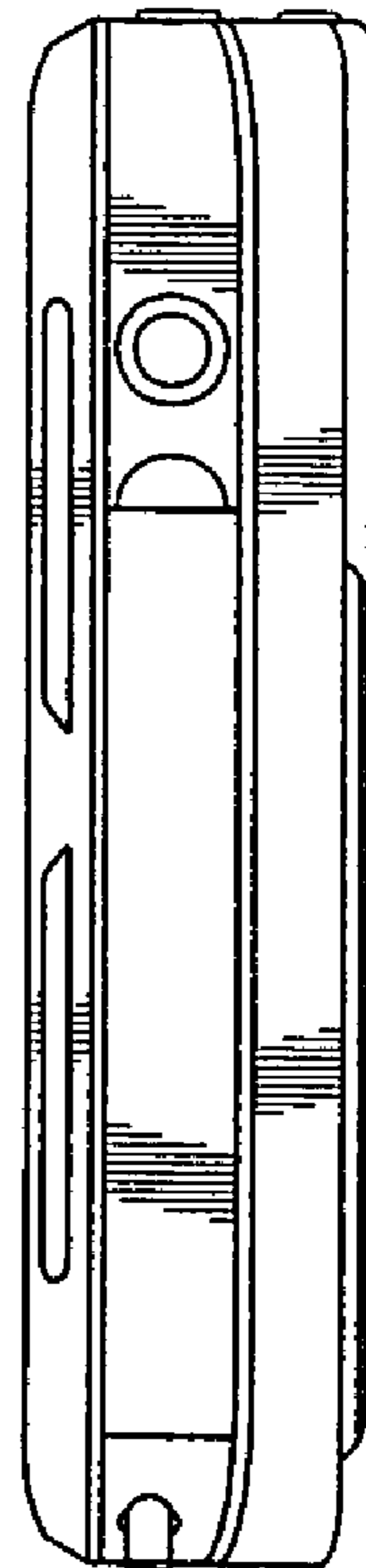


FIG. 5

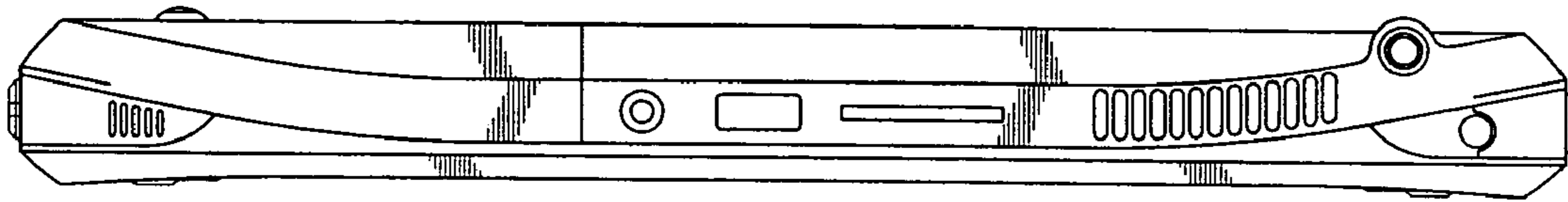


FIG. 6

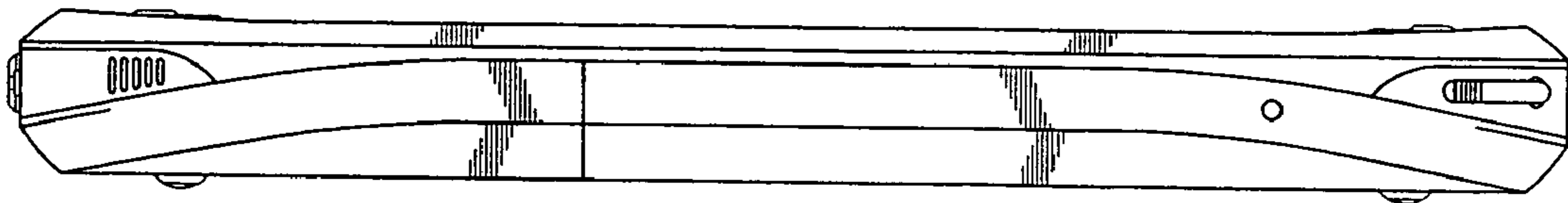


FIG. 7