



US00D569373S

(12) **United States Design Patent** (10) **Patent No.:** **US D569,373 S**  
**Lee et al.** (45) **Date of Patent:** **\*\* May 20, 2008**

(54) **PORTABLE PERSONAL COMPUTER**

(75) Inventors: **Se-O Lee**, Seoul (KR); **Joung-Shin Seo**, Seoul (KR); **Jin Kwon**, Seoul (KR)

(73) Assignee: **Samsung Electronics Co., Ltd.**, Suwon, Kyunggi-Do (KR)

(\*\*) Term: **14 Years**

(21) Appl. No.: **29/262,197**

(22) Filed: **Jun. 28, 2006**

(51) **LOC (8) Cl.** ..... **14-02**

(52) **U.S. Cl.** ..... **D14/341**

(58) **Field of Classification Search** ..... D14/341, D14/342, 343, 344, 345, 346, 347, 452, 374, D14/426, 496, 137, 138, 247, 248, 455, 456, D14/420, 427, 432, 439, 440, 441, 448, 125, D14/129, 130, 250, 389, 147, 218, 156, 126; D21/517, 329, 331, 686; D18/7, 6; D10/65, D10/104; 345/169, 173; 379/433.04, 433.06, 379/433.07, 433.11, 433.12, 433.13; 348/14.02; 455/556.1, 556.2, 566, 575.1, 575.4, 90.3, 455/575.3; 349/12; D13/168; D6/596, D6/601, 605; 361/814; 341/22

See application file for complete search history.

(56) **References Cited**

**U.S. PATENT DOCUMENTS**

D499,423	S	*	12/2004	Bahroocha et al.	.....	D14/496
D502,945	S	*	3/2005	Huang et al.	.....	D14/341
D504,890	S	*	5/2005	Sung et al.	.....	D14/346
D507,003	S	*	7/2005	Pai et al.	.....	D14/496
D511,528	S	*	11/2005	Yang	.....	D14/496
D529,045	S	*	9/2006	Shin	.....	D14/496
D543,528	S	*	5/2007	Kim et al.	.....	D14/138

D554,635	S	*	11/2007	Chung et al.	.....	D14/341
D558,791	S	*	1/2008	Toh et al.	.....	D14/496
D559,859	S	*	1/2008	Kim	.....	D14/496
D560,231	S	*	1/2008	Lee	.....	D14/496
2007/0184786	A1	*	8/2007	Kim	.....	455/90.3
2007/0184882	A1	*	8/2007	Kim	.....	455/575.4

**OTHER PUBLICATIONS**

U.S. Appl. No. 29/235,002, Applicant: Wesley Millora, filed Jul. 26, 2005 entitled Portable Information Terminal.

U.S. Appl. No. 29/235,005, Applicant: Byung-Soo Kim, filed Jul. 26, 2005 entitled Portable Information Terminal.

U.S. Appl. No. 29/256,358, Applicant: Yang-Jic Lee, et al., filed Mar. 20, 2006 entitled Portable Information Terminal.

\* cited by examiner

*Primary Examiner*—Cathron Brooks

*Assistant Examiner*—Angela J Lee

(74) *Attorney, Agent, or Firm*—Flynn, Thiel, Boutell & Tanis, P.C.

(57) **CLAIM**

The ornamental design for a portable personal computer, as shown and described.

**DESCRIPTION**

FIG. 1 is a top front perspective view of a portable personal computer showing our new design;

FIG. 2 is a front elevational view thereof;

FIG. 3 is a rear elevational view thereof;

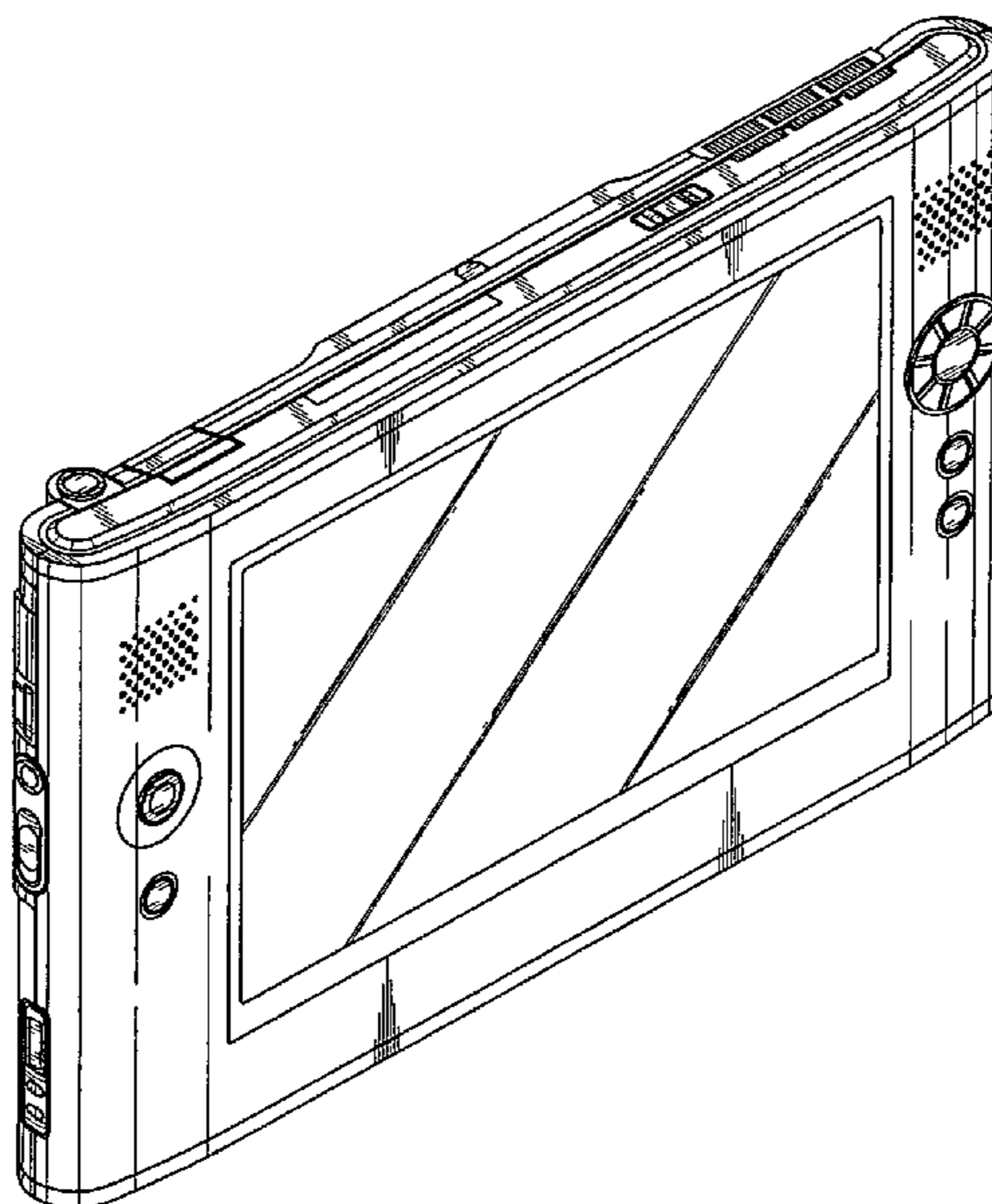
FIG. 4 is a left side elevational view thereof;

FIG. 5 is a right side elevational view thereof;

FIG. 6 is a top plan view thereof; and,

FIG. 7 is a bottom plan view thereof.

**1 Claim, 4 Drawing Sheets**



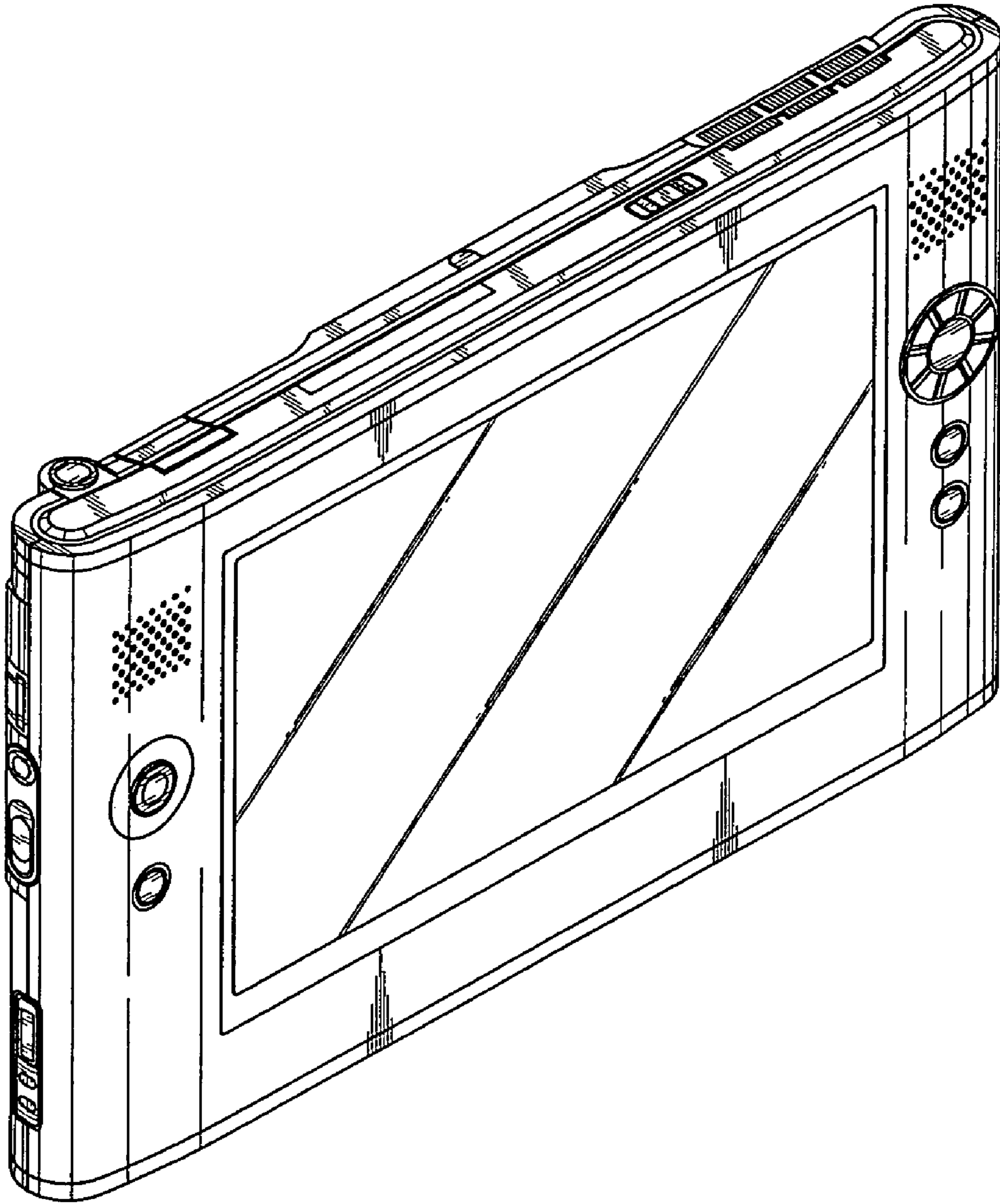


FIG. 1

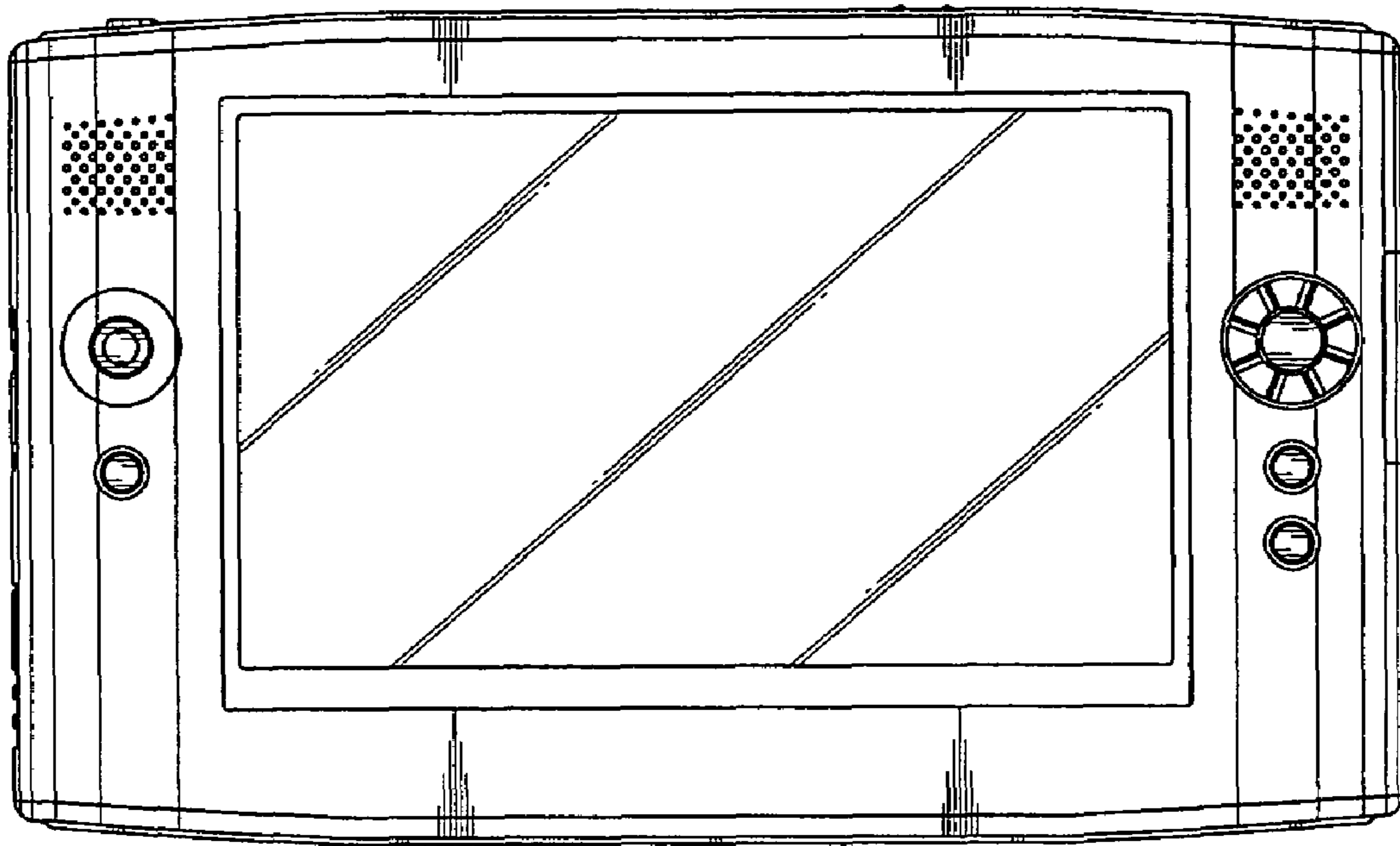


FIG. 2

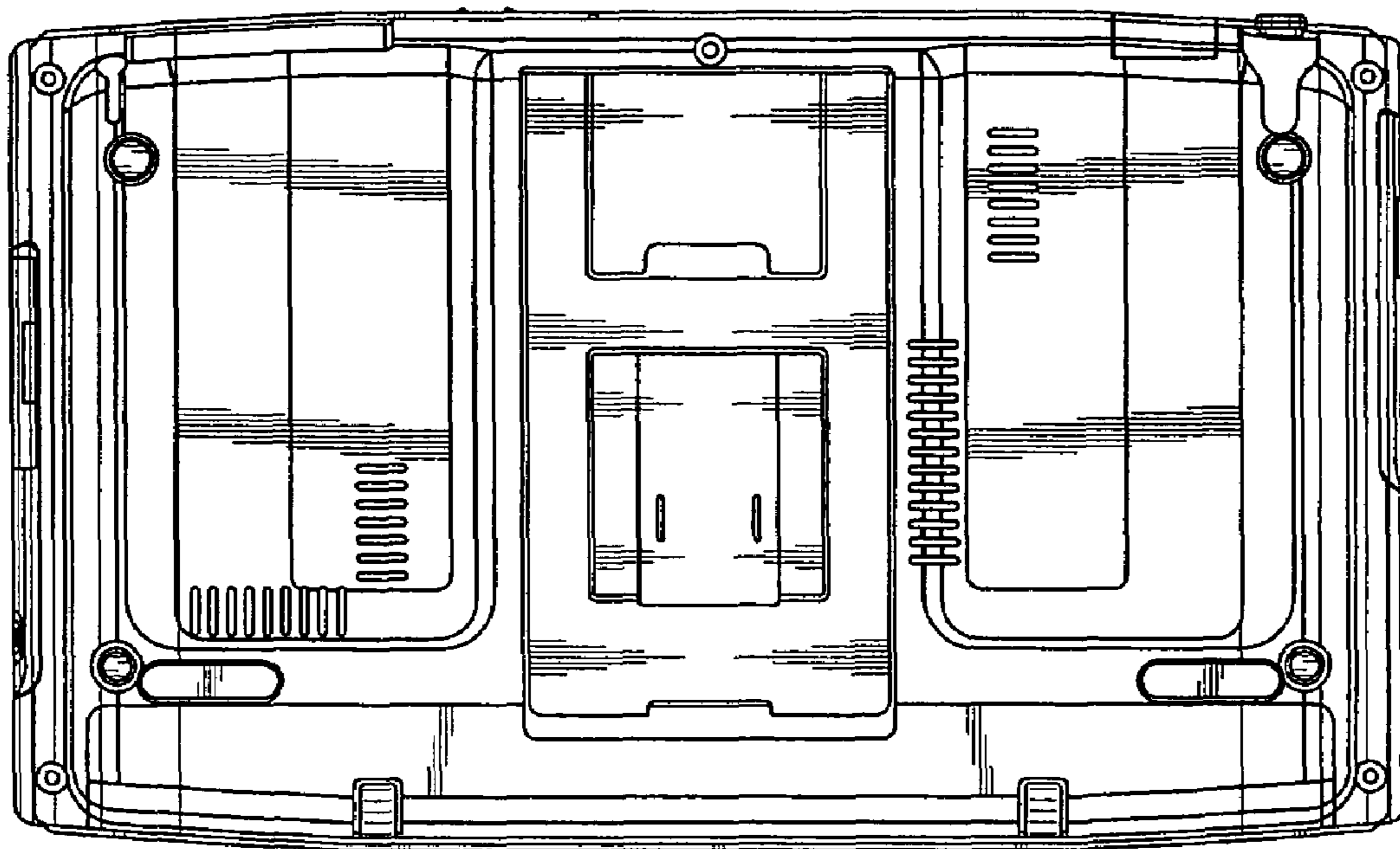


FIG. 3

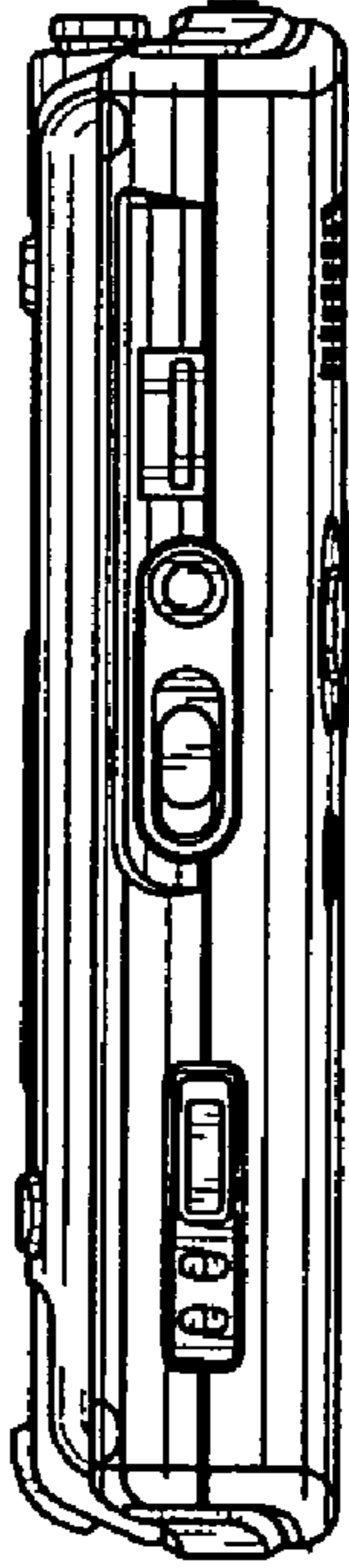


FIG. 4

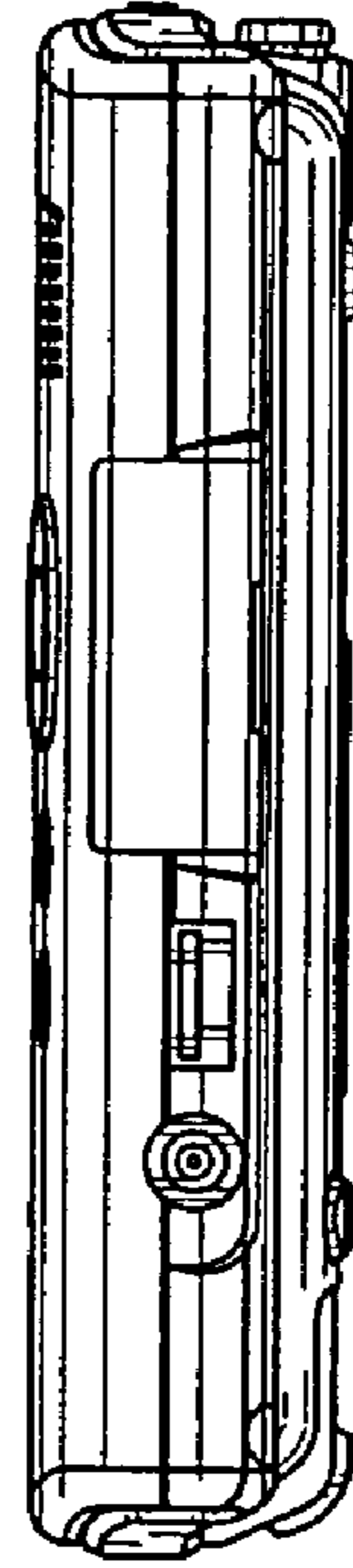


FIG. 5

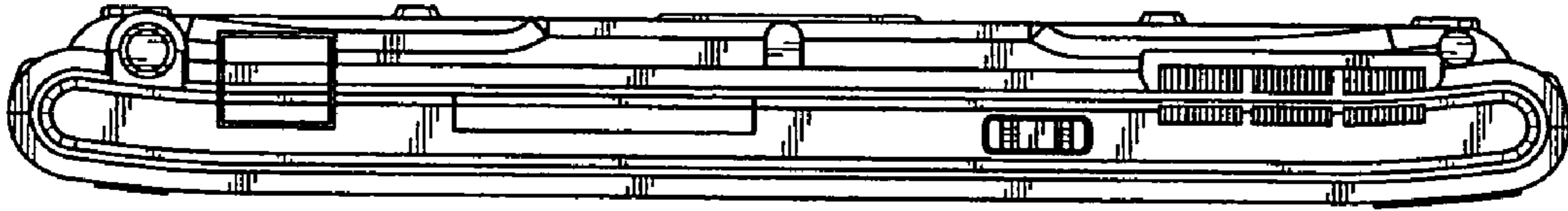


FIG. 6

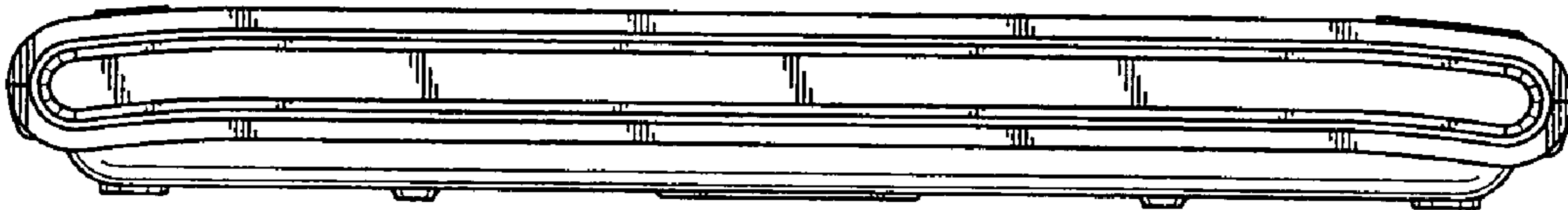


FIG. 7