



US00D569371S

(12) **United States Design Patent**
Staros et al.

(10) **Patent No.:** **US D569,371 S**

(45) **Date of Patent:** **** May 20, 2008**

(54) **IMAGE DISPLAY APPARATUS**

(75) Inventors: **Theodore Basil Staros**, Carlsbad, CA (US); **Dennis Peter Kerkhof**, Oceanside, CA (US); **Joe John Dombrowski**, San Marcos, CA (US)

(73) Assignee: **Harris Corporation**, Melbourne, FL (US)

(**) Term: **14 Years**

(21) Appl. No.: **29/257,818**

(22) Filed: **Apr. 11, 2006**

(51) **LOC (8) Cl.** **14-03**

(52) **U.S. Cl.** **D14/217; D14/357**

(58) **Field of Classification Search** D14/125, D14/126, 239, 257, 299, 327, 358, 371, 372, D14/374-376, 388, 389, 432, 448-452, 496; D13/107, 108, 133; D10/46, 49, 96-98; 345/905; 352/244

See application file for complete search history.

(56) **References Cited**

U.S. PATENT DOCUMENTS

D408,383 S * 4/1999 Carter et al. D14/374

D409,170 S * 5/1999 Ota et al. D14/357
D439,901 S * 4/2001 Ono et al. D14/375
D448,401 S * 9/2001 Isobe D17/99
D494,176 S * 8/2004 Porter et al. D14/388

* cited by examiner

Primary Examiner—Stella M. Reid

Assistant Examiner—Keli L Acker

(74) *Attorney, Agent, or Firm*—Tarolli, Sundheim, Covell & Tummino LLP

(57) **CLAIM**

The ornamental design for an image display apparatus, as shown and described.

DESCRIPTION

FIG. 1 is a perspective view of an image display apparatus, illustrating my new design;

FIG. 2 is a front elevation view thereof;

FIG. 3 is a rear elevation view thereof;

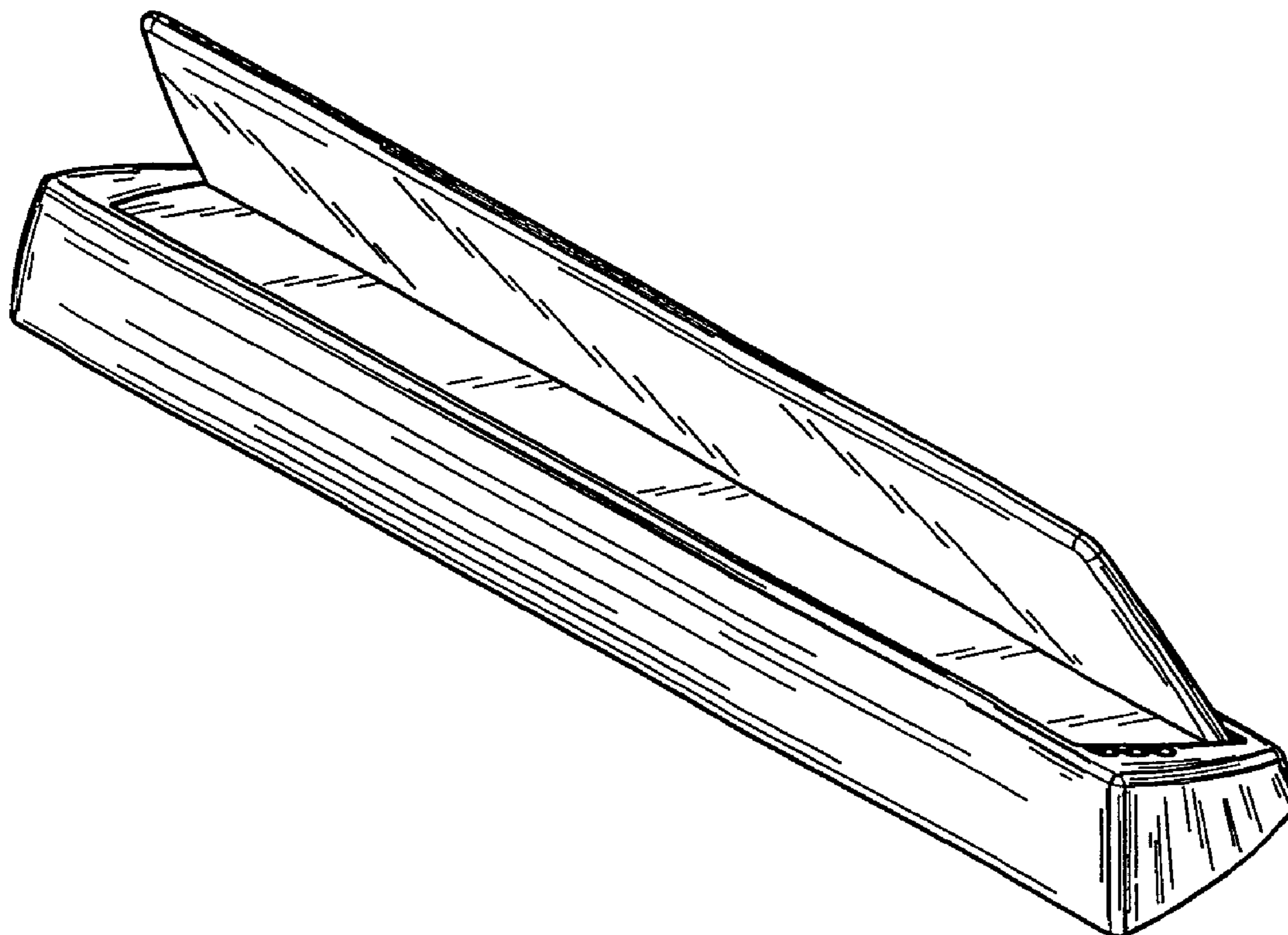
FIG. 4 is a top plan view thereof;

FIG. 5 is a left side elevation view thereof;

FIG. 6 is a right side elevation view thereof; and,

FIG. 7 is a bottom plan view thereof.

1 Claim, 2 Drawing Sheets



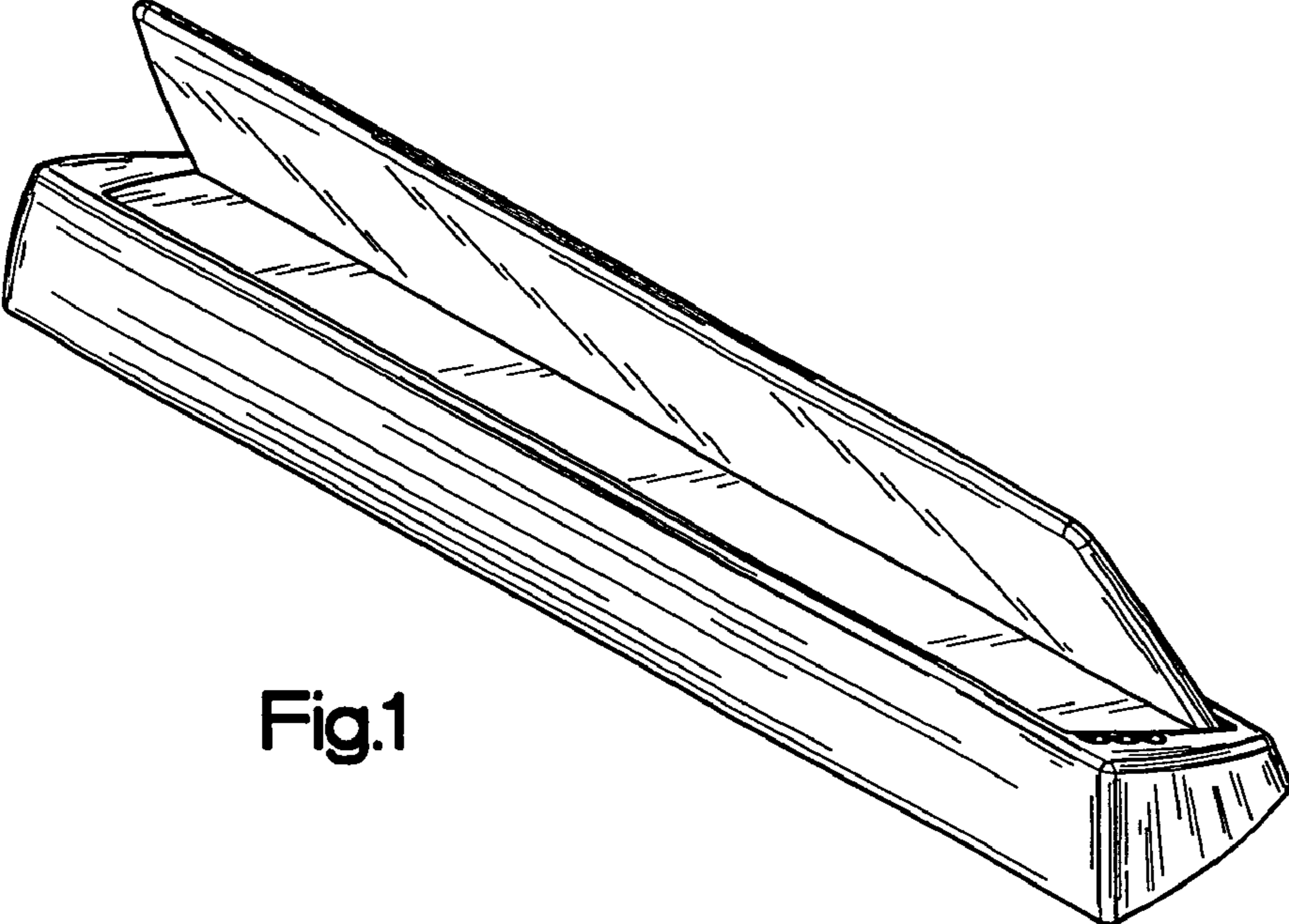


Fig.1

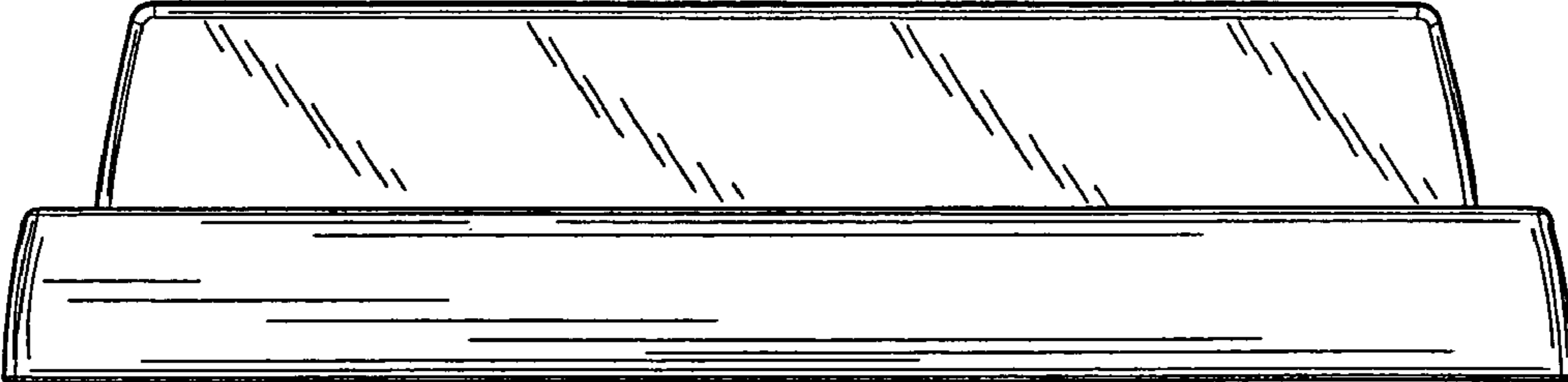


Fig.2

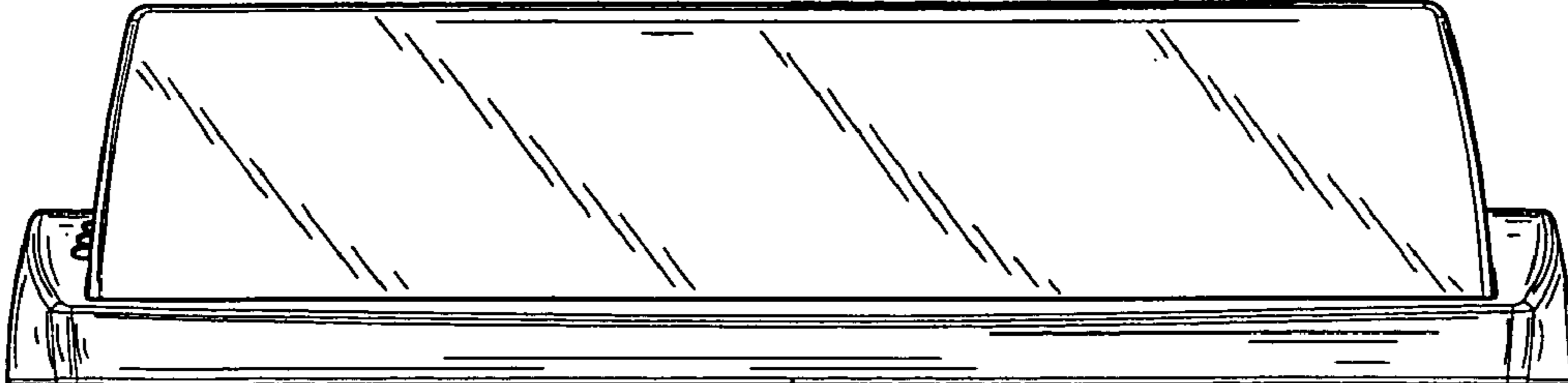


Fig.3

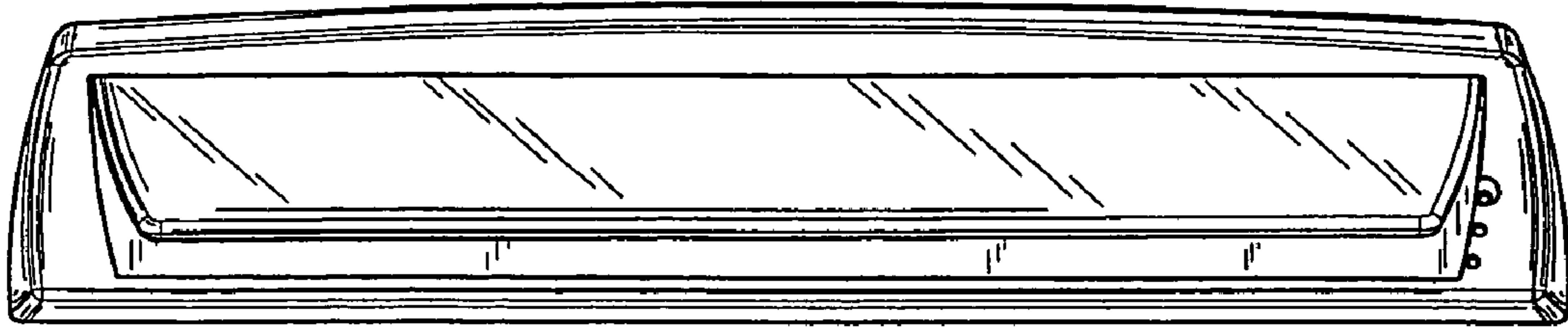


Fig.4

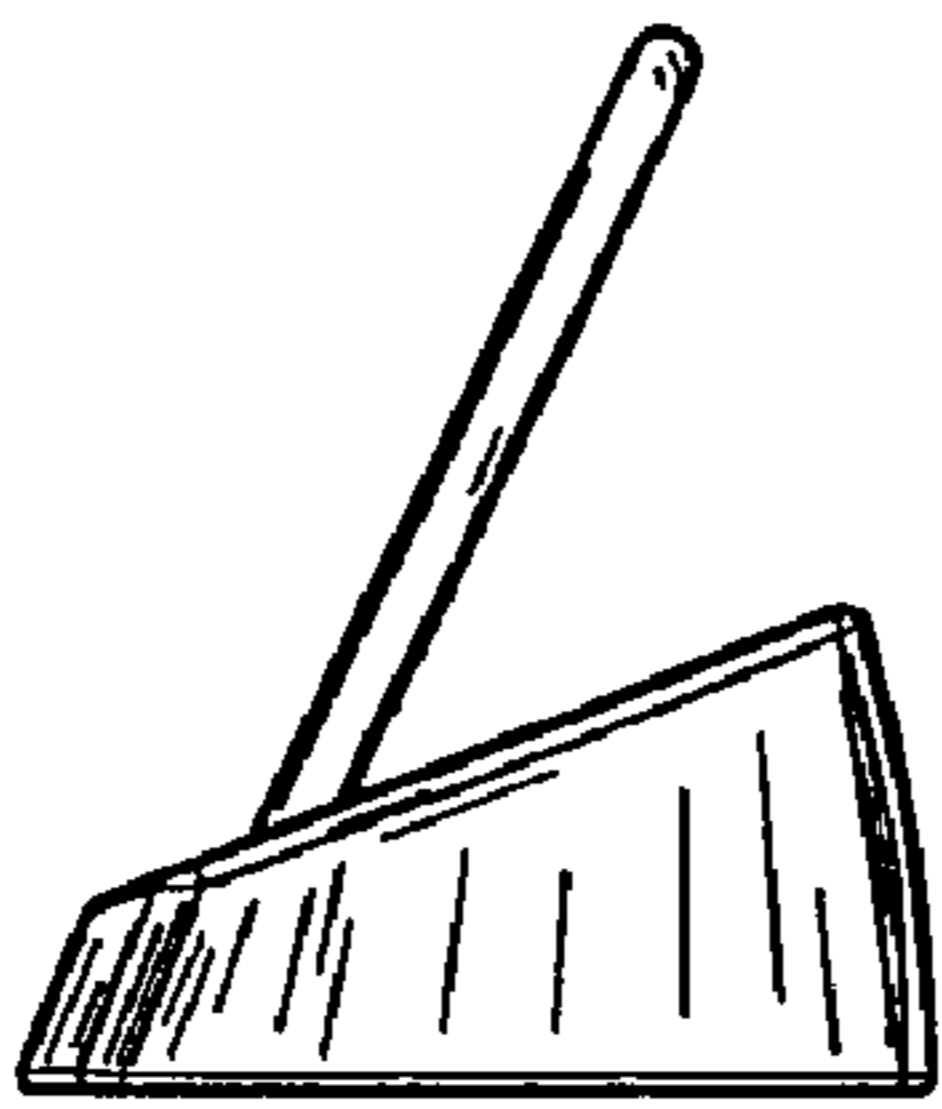


Fig.5

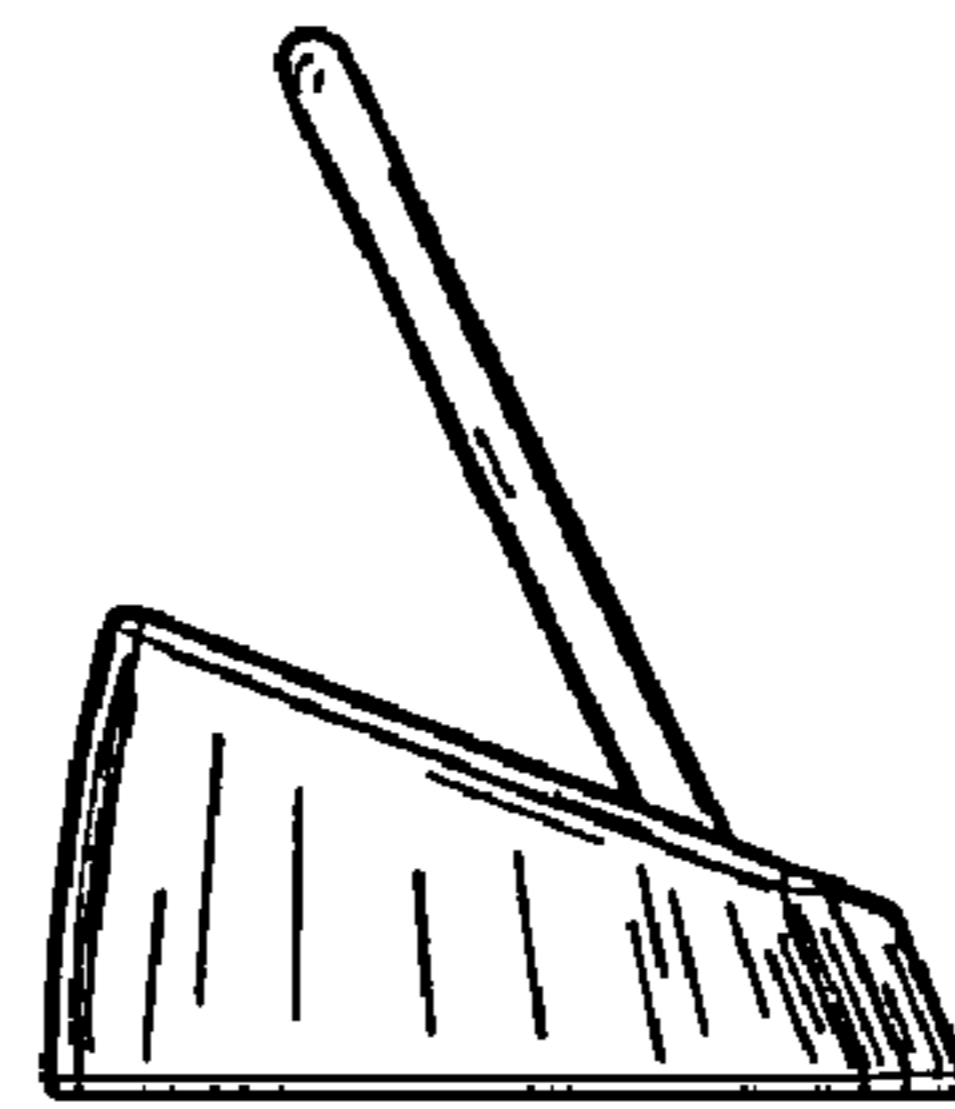


Fig.6

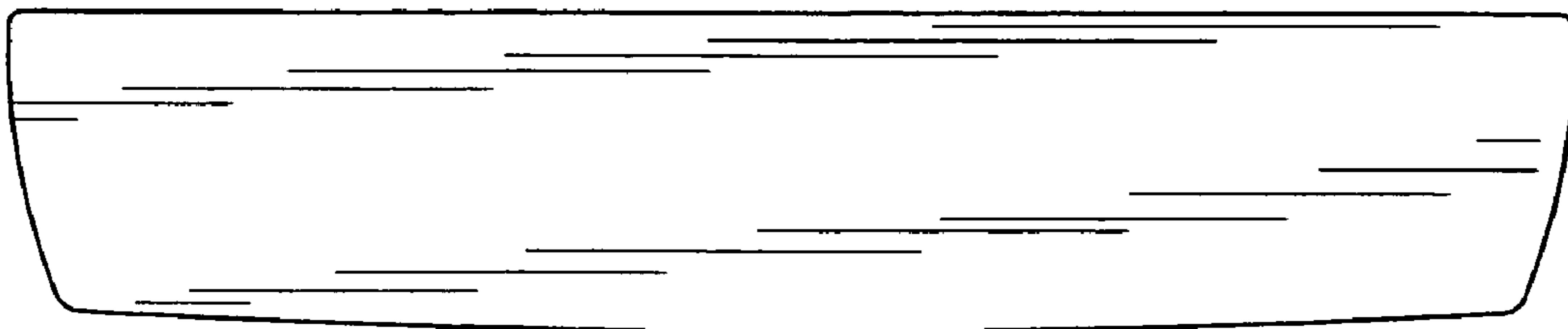


Fig.7