



US00D569362S

(12) **United States Design Patent** (10) **Patent No.:** **US D569,362 S**
Kim (45) **Date of Patent:** **** May 20, 2008**

(54) **MOBILE PHONE**

(75) Inventor: **Eui Sik Kim**, Gyeonggi-do (KR)

(73) Assignee: **LG Electronics Inc.**, Seoul (KR)

(**) Term: **14 Years**

(21) Appl. No.: **29/263,800**

(22) Filed: **Jul. 31, 2006**

(30) **Foreign Application Priority Data**

Feb. 1, 2006 (KR) 30-2006-0003727

(51) **LOC (8) Cl.** **14-03**

(52) **U.S. Cl.** **D14/138**

(58) **Field of Classification Search** D14/496,
D14/138, 341-347; 455/575.3, 575.1; D21/517,
D21/329, 333

See application file for complete search history.

(56) **References Cited**

U.S. PATENT DOCUMENTS

D440,955 S *	4/2001	Tanaka et al.	D14/138
D481,697 S *	11/2003	Rausch et al.	D14/138
D484,478 S *	12/2003	Kota et al.	D14/138
D491,908 S *	6/2004	Son	D14/138
D494,945 S *	8/2004	Jang	D14/138
D494,946 S *	8/2004	Rausch et al.	D14/138
D506,738 S *	6/2005	Kim et al.	D14/138
D512,394 S *	12/2005	Kim et al.	D14/138
D515,061 S *	2/2006	Kim et al.	D14/138
D518,014 S *	3/2006	Cho	D14/138
D518,015 S *	3/2006	Cho	D14/138
D518,808 S *	4/2006	Lee	D14/138
D518,809 S *	4/2006	Cho	D14/138
D519,098 S *	4/2006	Han et al.	D14/138
D521,483 S *	5/2006	Kim et al.	D14/138
D522,991 S *	6/2006	Yun et al.	D14/138
D535,962 S *	1/2007	Yun et al.	D14/138
D542,761 S *	5/2007	Yoo et al.	D14/138
D543,524 S *	5/2007	Shin et al.	D14/138
D545,288 S *	6/2007	Chung et al.	D14/138
D550,183 S *	9/2007	Lee et al.	D14/138

D556,718 S *	12/2007	Jung et al.	D14/138
D558,168 S *	12/2007	Jeoung et al.	D14/138
2004/0157587 A1 *	8/2004	Park	455/412.2
2004/0242264 A1 *	12/2004	Cho	455/550.1

OTHER PUBLICATIONS

Samsung E620, announced 1st Quarter 2005, [online], [site visited Jan. 4, 2008]. Available from Internet ,<URL: <http://www.gsmarena.com>>.*

Samsung P710, announced Mar. 2004, [online], [site visited Jan. 4, 2008]. Available from Internet ,<URL: <http://www.gsmarena.com>>.*

Samsung E300, announced 1st Quarter 2004, [online], [site visited Jan. 4, 2008]. Available from Internet ,<URL: <http://www.gsmarena.com>>.*

Samsung E600, announced 4th Quarter 2003, [online], [site visited Jan. 4, 2008]. Available from Internet ,<URL: <http://www.gsmarena.com>>.*

Samsung E105, announced 3rd Quarter 2003, [online], [site visited Jan. 4, 2008]. Available from Internet ,<URL: <http://www.gsmarena.com>>.*

Samsung T100, announced 2002, [online], [site visited Jan. 4, 2008]. Available from Internet ,<URL: <http://www.gsmarena.com>>.*

(Continued)

Primary Examiner—Jeffrey Asch

(74) *Attorney, Agent, or Firm*—Birch, Stewart, Kolasch & Birch, LLP

(57) **CLAIM**

The ornamental design for a mobile phone, as shown and described.

DESCRIPTION

FIG. 1 is a perspective view of a mobile phone showing my (our) new design;

FIG. 2 is a front view thereof;

FIG. 3 is a rear view thereof;

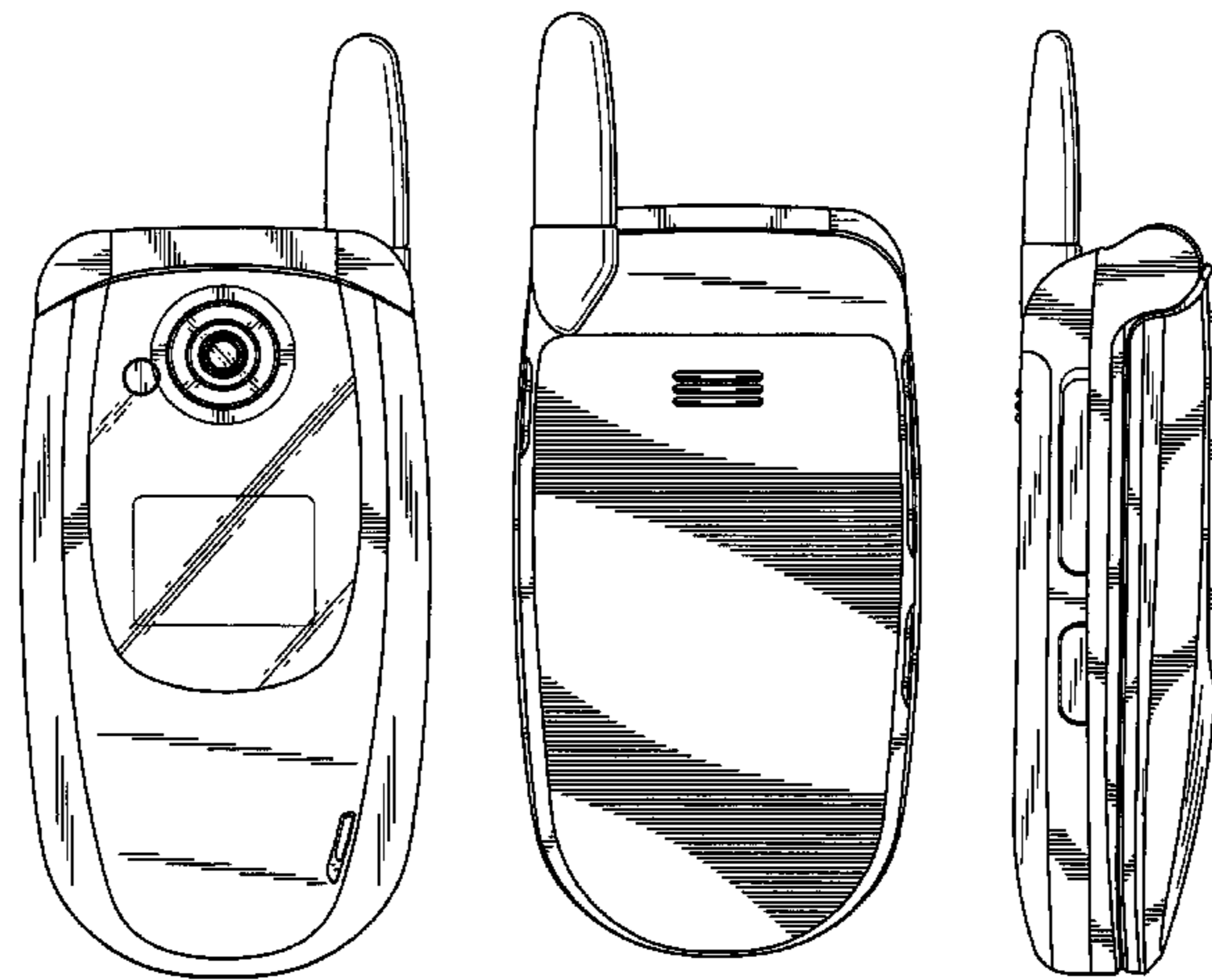
FIG. 4 is a left side view thereof;

FIG. 5 is a right side view thereof;

FIG. 6 is a top plan view thereof; and,

FIG. 7 is a bottom plan view thereof.

1 Claim, 6 Drawing Sheets



OTHER PUBLICATIONS

LG KG240, announced Jun. 2006, [online], [site visited Jan. 4, 2008]. Available from Internet ,<URL: <http://www.gsmarena.com>>.*

Pantech Q80, announced 2003, [online], [site visited Jan. 4, 2008]. Available from Internet ,<URL: <http://www.gsmarena.com>>.*

* cited by examiner

FIG. 1

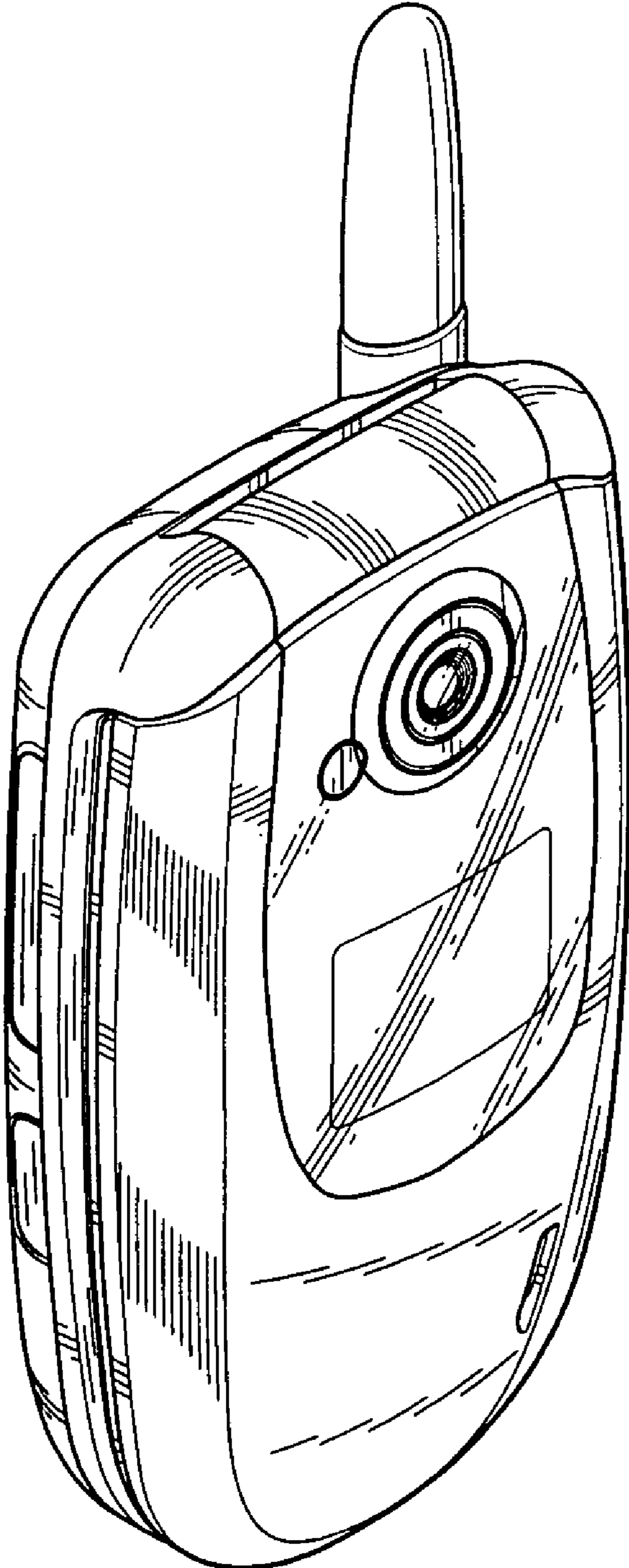


FIG. 2

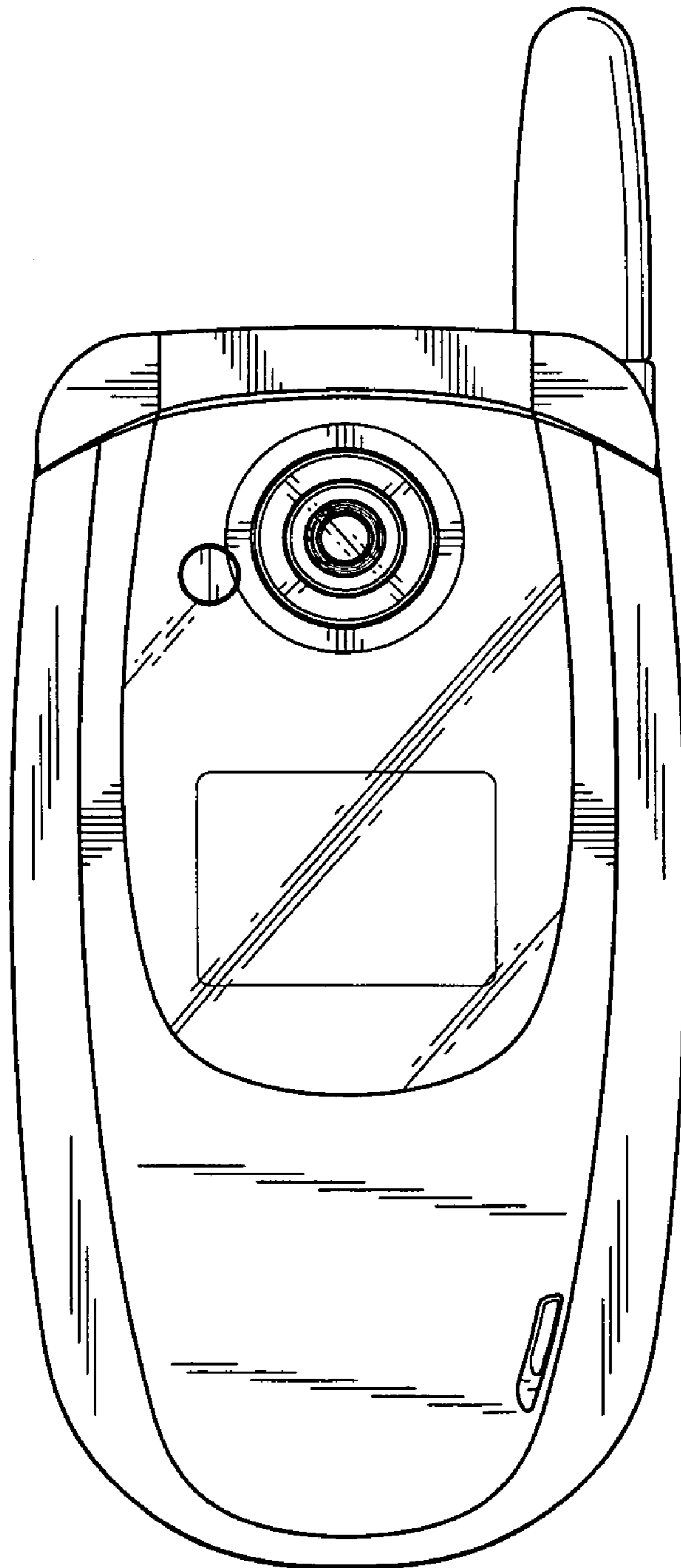


FIG. 3

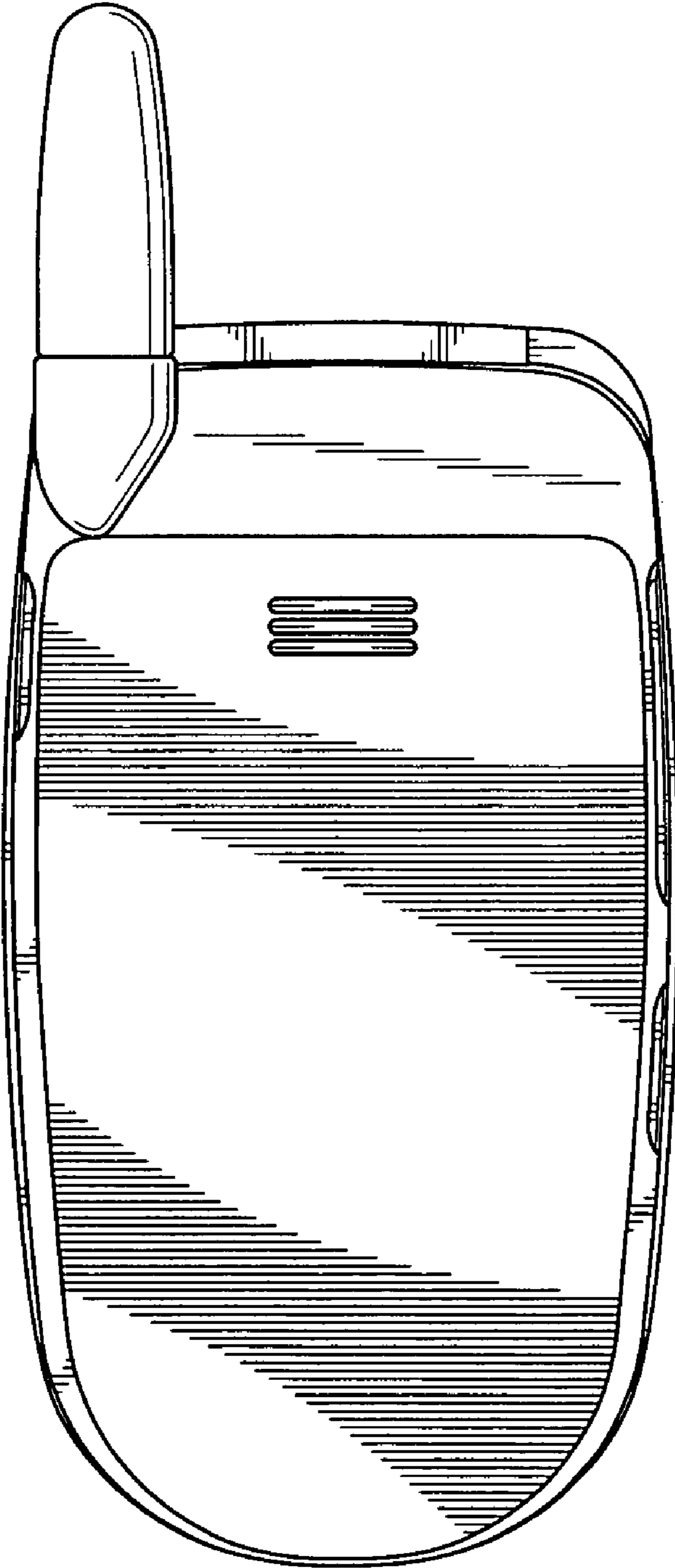


FIG. 4

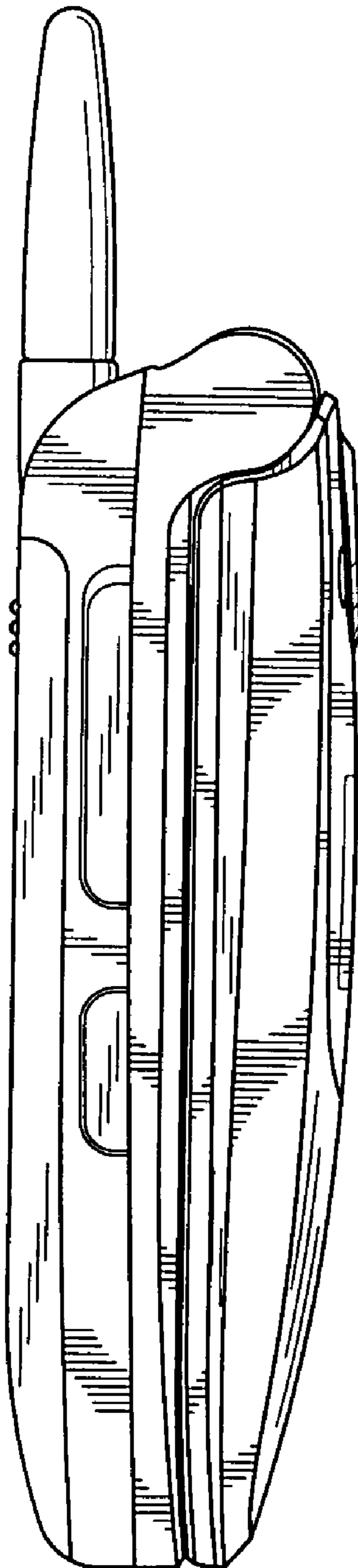


FIG. 5

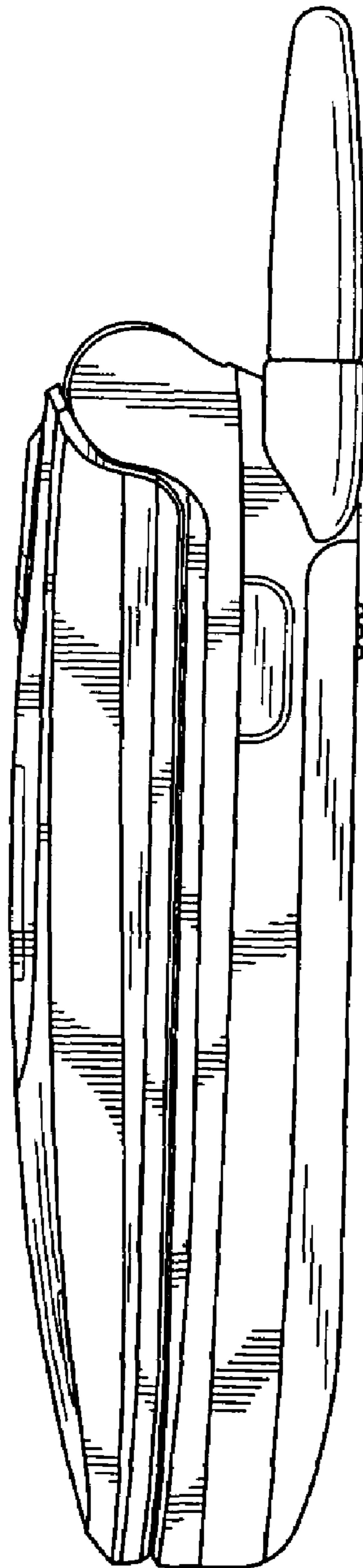


FIG. 6

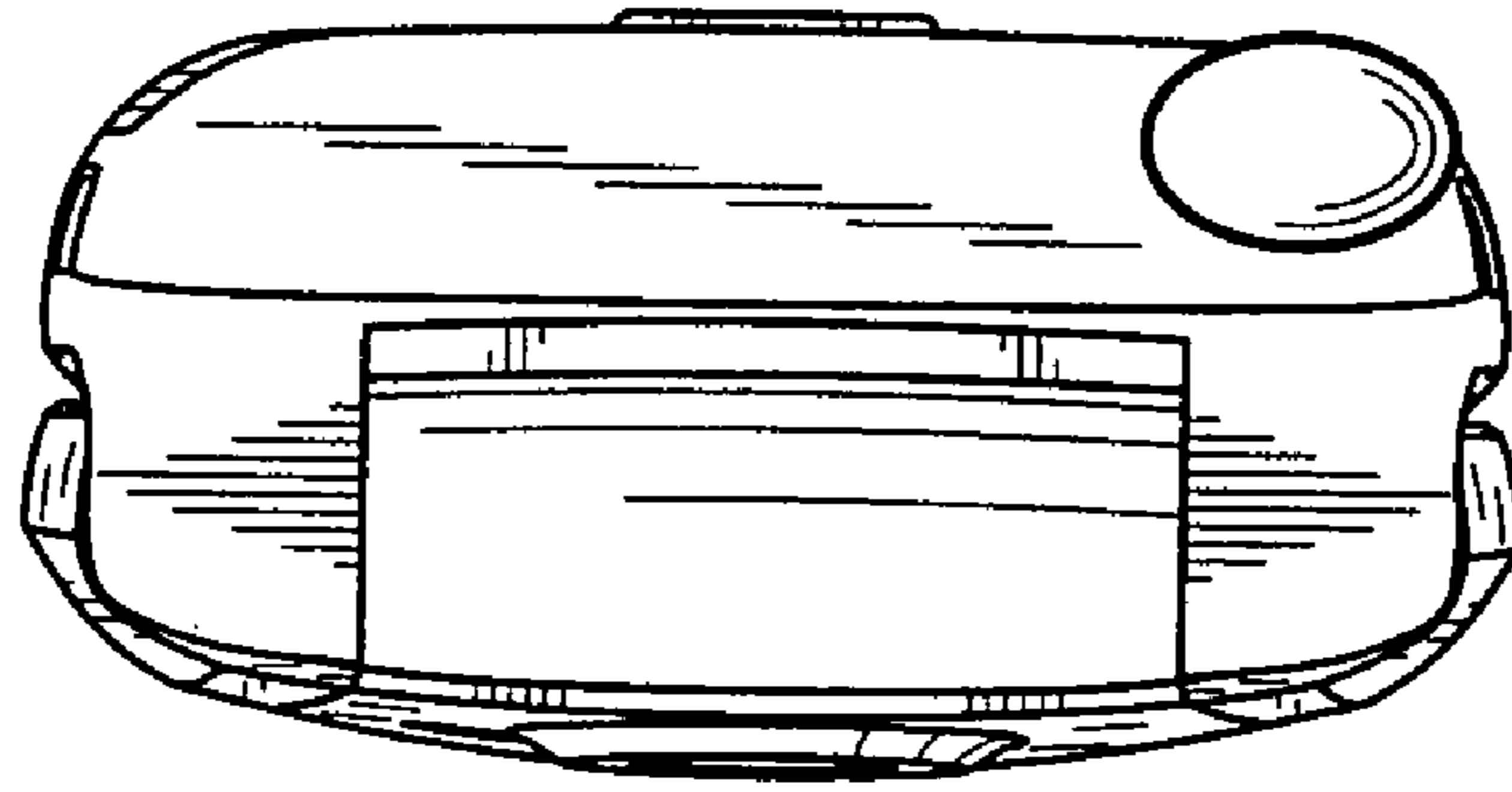


FIG. 7

