

US00D569350S

(12) **United States Design Patent**
Konagata et al.

(10) **Patent No.:** **US D569,350 S**

(45) **Date of Patent:** **** May 20, 2008**

(54) **SOLID STATE RELAY**

(75) Inventors: **Shoichi Konagata**, Ureshino (JP);
Thuyoshi Fujino, Takeo (JP)

(73) Assignee: **Omron Corporation**, Kyoto-shi (JP)

(**) Term: **14 Years**

(21) Appl. No.: **29/283,292**

(22) Filed: **Aug. 9, 2007**

(30) **Foreign Application Priority Data**

Feb. 15, 2007 (JP) 2007-003585

(51) **LOC (8) Cl.** **13-03**

(52) **U.S. Cl.** **D13/159**

(58) **Field of Classification Search** D13/159;
335/132, 202; 361/94

See application file for complete search history.

(56) **References Cited**

U.S. PATENT DOCUMENTS

5,018,050 A *	5/1991	Maenishi et al.	361/717
D370,465 S *	6/1996	Yee et al.	D13/159
D472,878 S *	4/2003	Kitamura	D13/147
D541,754 S *	5/2007	Sasaki et al.	D13/159

* cited by examiner

Primary Examiner—Daniel Bui
Assistant Examiner—Thomas J Johannes

(74) *Attorney, Agent, or Firm*—Harness, Dickey & Pierce,
P.L.C.

(57) **CLAIM**

The ornamental designs for a solid state relay, as shown and described.

DESCRIPTION

FIG. 1 is a front perspective view of a solid state relay showing our new design;

FIG. 2 is a front elevational view thereof;

FIG. 3 is a rear elevational view thereof;

FIG. 4 is a top plan view thereof;

FIG. 5 is a bottom plan view thereof; and

FIG. 6 is a right side elevational view thereof.

FIG. 7 is a left side elevational view thereof.

FIG. 8 is an enlarged perspective view in the box labeled 8 of FIG. 1 thereof; and,

FIG. 9 is an enlarged front elevational view in the box labeled 9 of FIG. 2 thereof.

The broken lines are shown in the views for illustrative purposes only, and form no part of the claimed design.

1 Claim, 9 Drawing Sheets

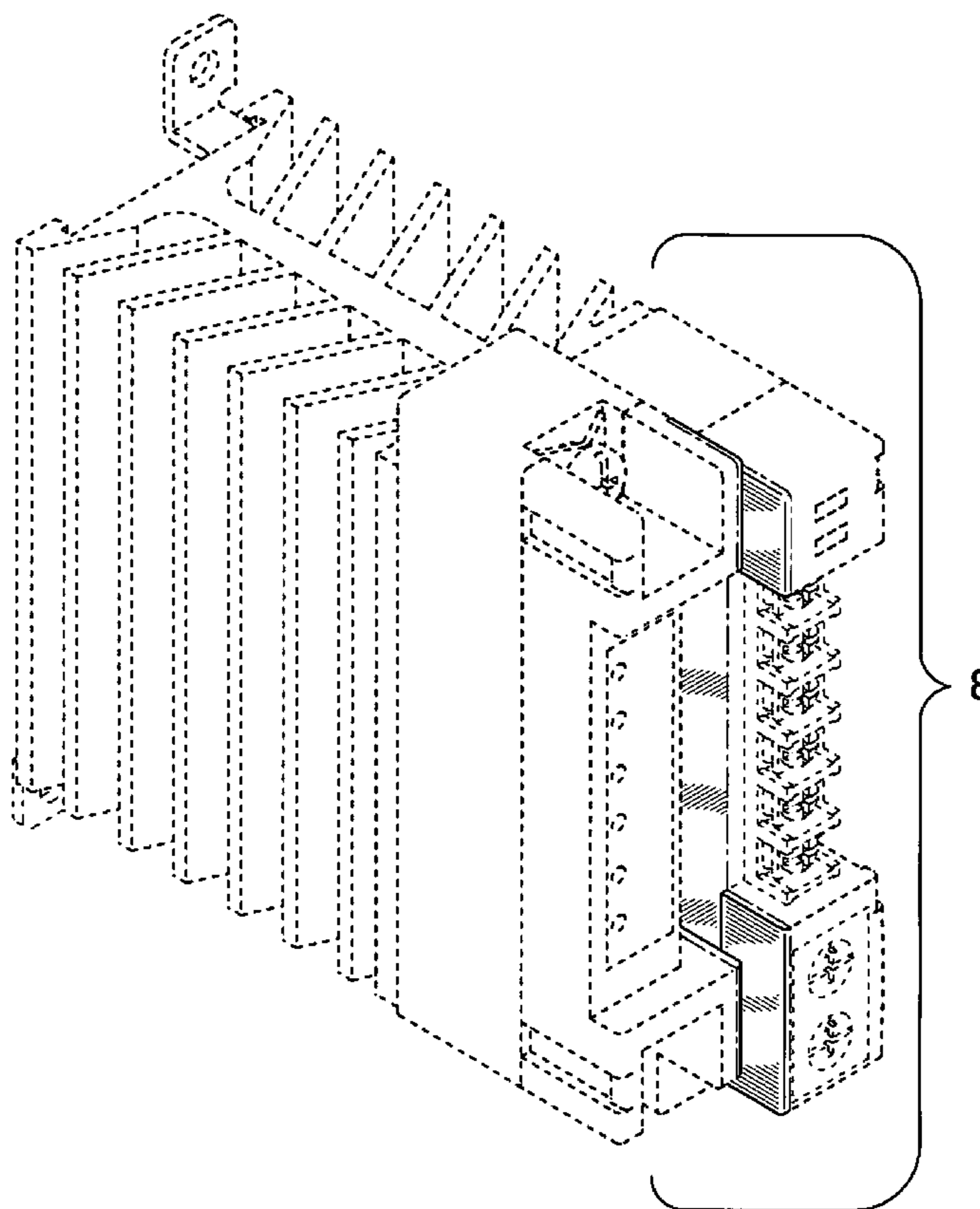


Fig. 1

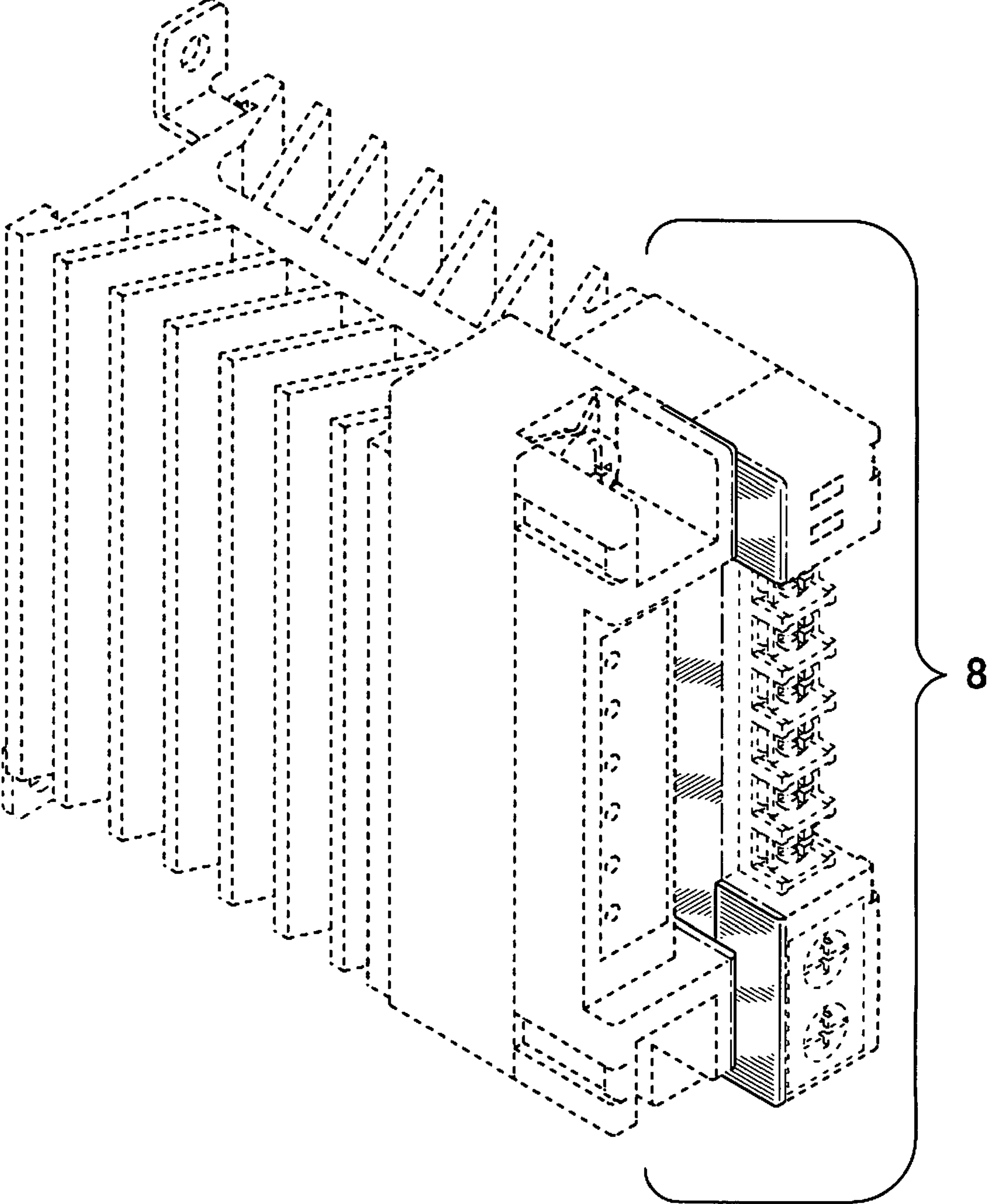


Fig. 2

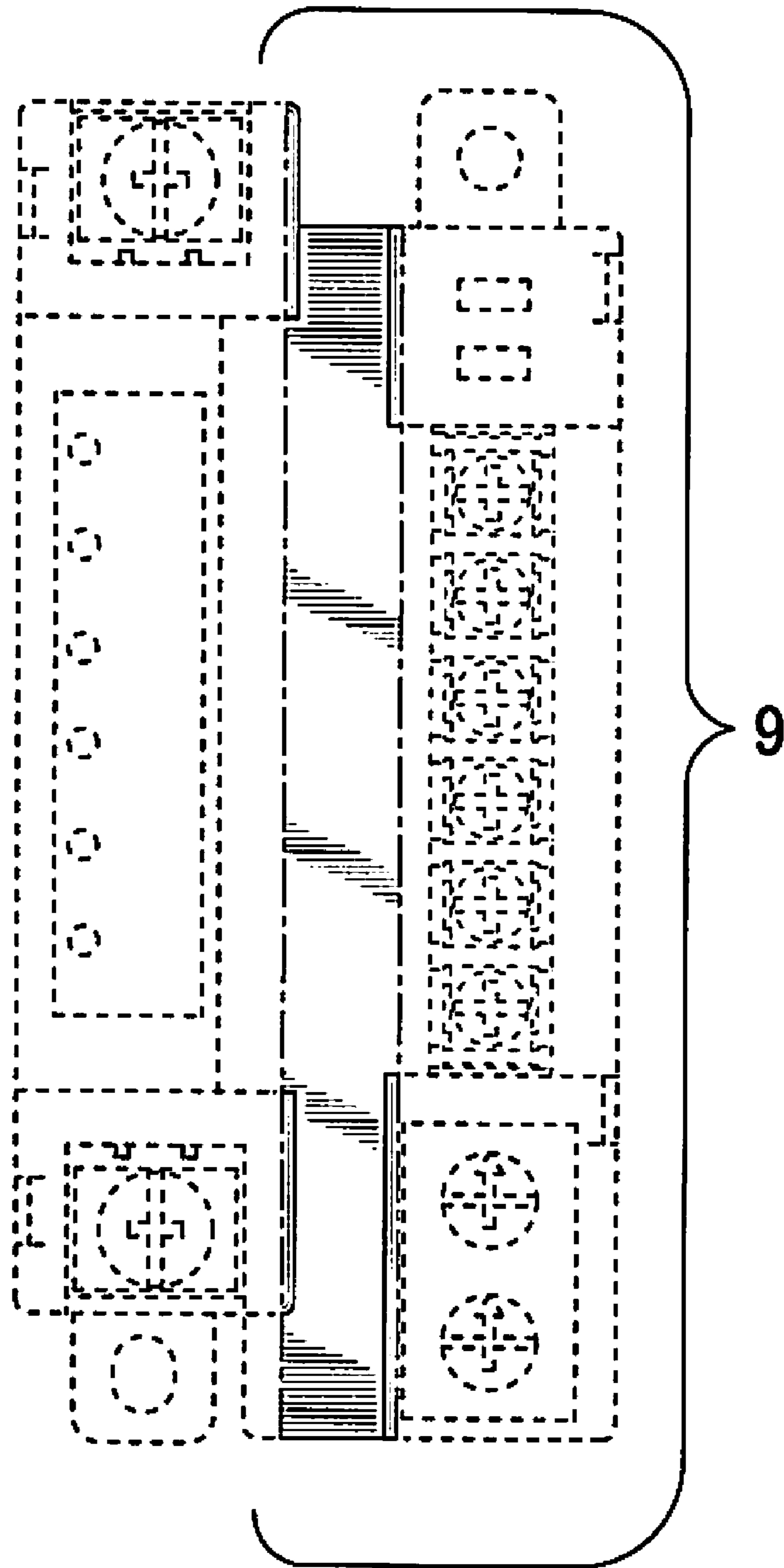


Fig. 3

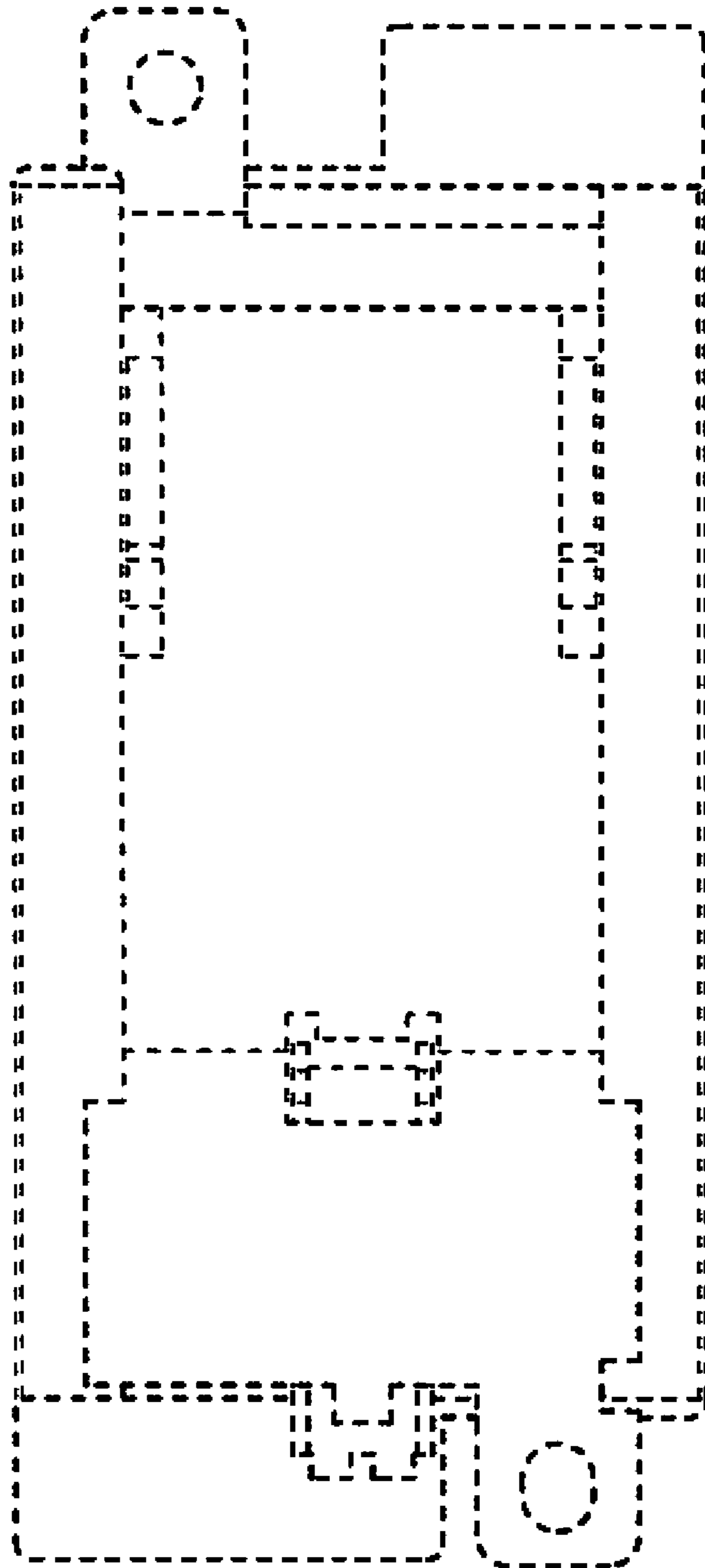


Fig. 4

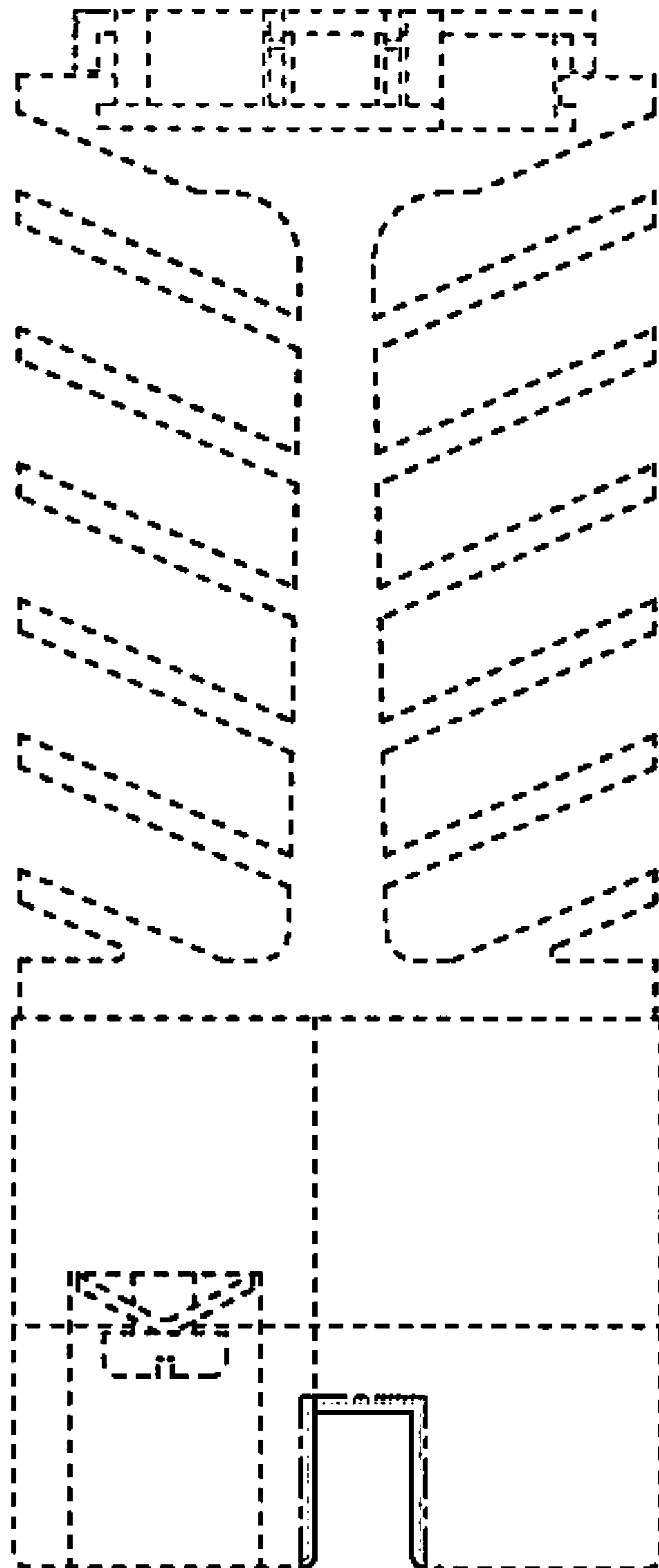


Fig. 5

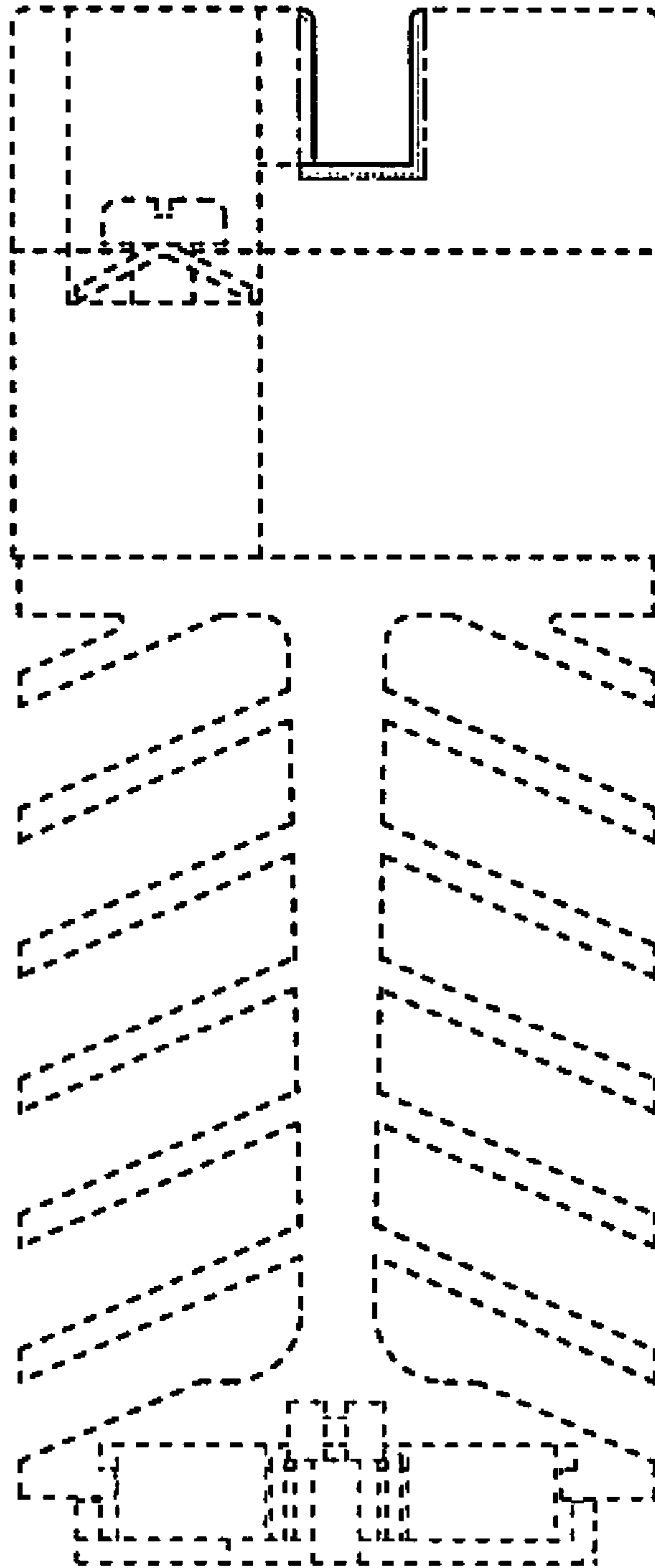


Fig. 6

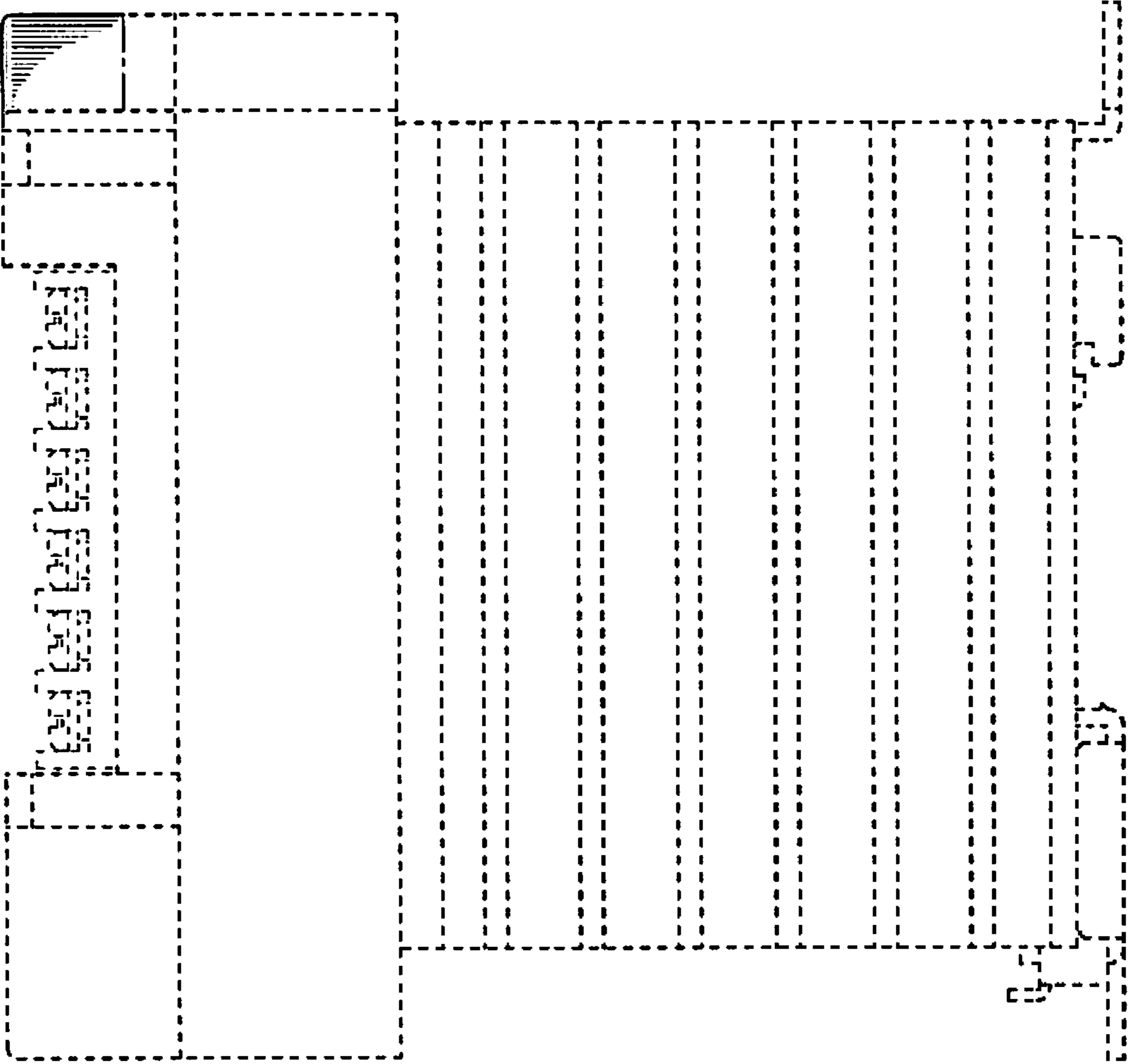


Fig. 7

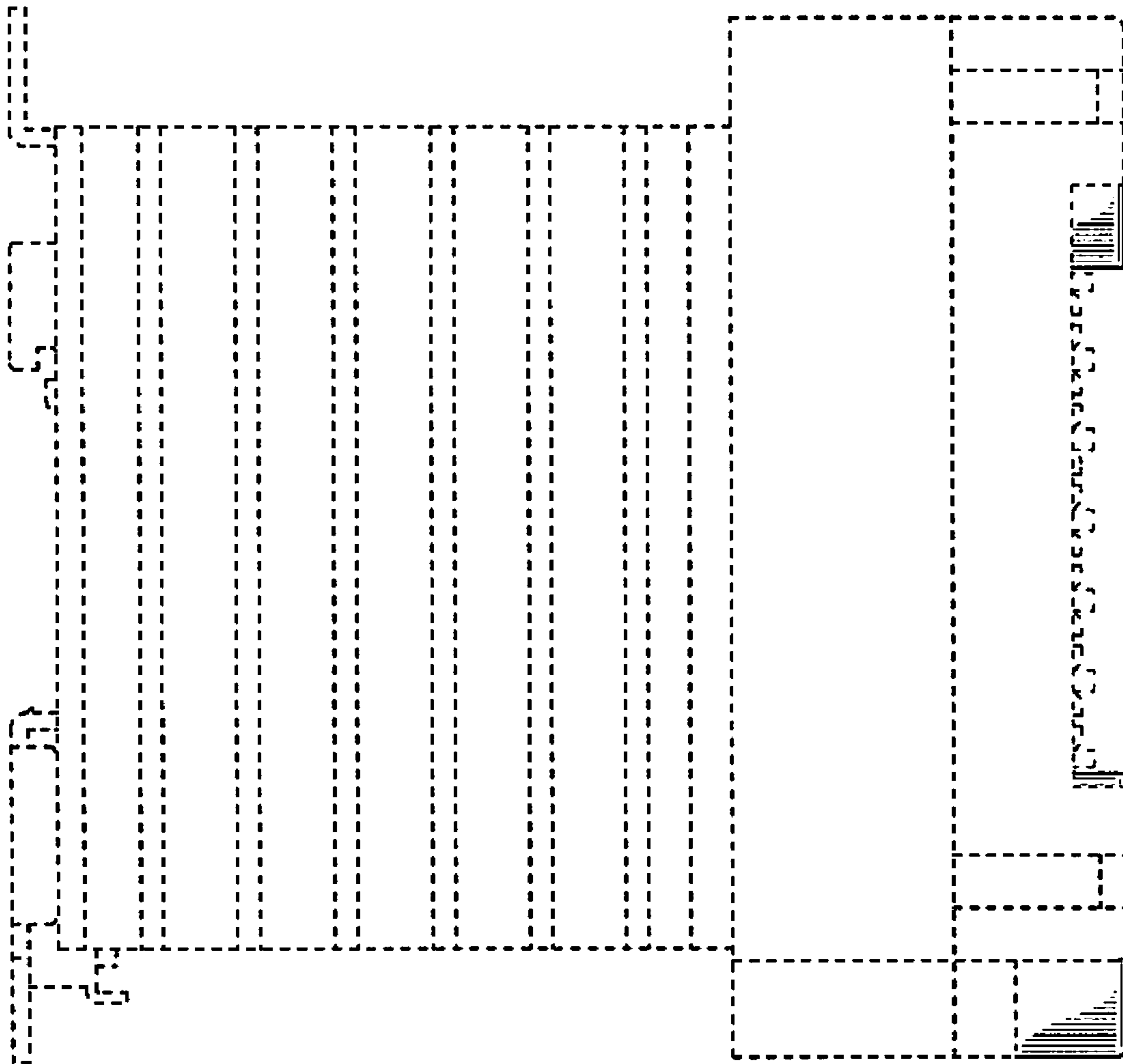


Fig. 8

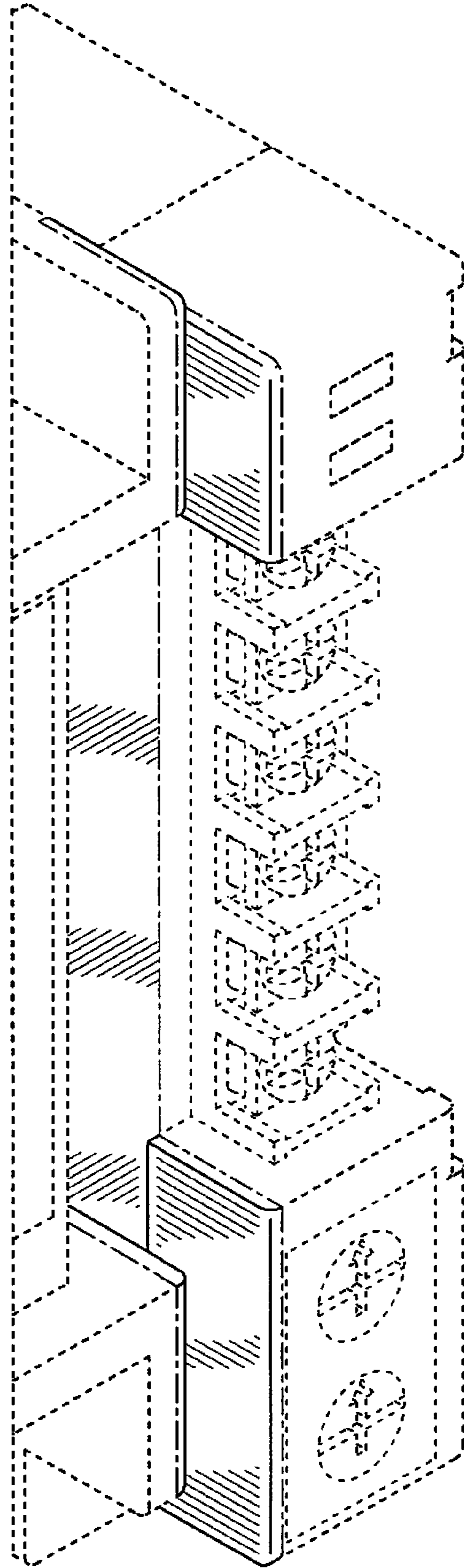


Fig. 9

