



US00D569349S

(12) **United States Design Patent**
Preston

(10) **Patent No.:** **US D569,349 S**

(45) **Date of Patent:** **** May 20, 2008**

(54) **CLAMP FOR EXTENSION CORD**

(76) Inventor: **Ryan Preston**, 1341 VZCR 2307,
Canton, TX (US) 75103

(**) Term: **14 Years**

(21) Appl. No.: **29/251,547**

(22) Filed: **Jan. 10, 2006**

(51) **LOC (8) Cl.** **13-03**

(52) **U.S. Cl.** **D13/156**

(58) **Field of Classification Search** D13/152,
D13/154, 156, 177; 174/50; 439/367-369,
439/371

See application file for complete search history.

(56) **References Cited**

U.S. PATENT DOCUMENTS

3,059,209	A	10/1962	Bird	
3,344,393	A *	9/1967	Hendee	439/369
4,143,934	A	3/1979	Siebert	
4,643,505	A	2/1987	House et al.	
4,927,377	A	5/1990	Bach et al.	
5,129,839	A	7/1992	VanSkiver	
5,259,782	A *	11/1993	Giffin	439/367
D346,787	S *	5/1994	Cullen	D13/154
5,755,588	A *	5/1998	Sweatman et al.	439/369
5,913,692	A *	6/1999	Targett	439/369
D464,325	S *	10/2002	Peters et al.	D13/156
D479,201	S *	9/2003	Limber et al.	D13/156
D481,361	S *	10/2003	Barnes	D13/156
D486,453	S *	2/2004	Prior, Jr.	D13/156

D496,000	S *	9/2004	Cornell	D13/156
D499,330	S *	12/2004	Peato	D13/156
2004/0097120	A1	5/2004	Limber et al.	

* cited by examiner

Primary Examiner—Brian N Vinson

(74) *Attorney, Agent, or Firm*—James E. Walton

(57) **CLAIM**

The ornamental design for a clamp for extension cord, as shown and described.

DESCRIPTION

FIG. 1 is a perspective view of the clamp for extension cord according to the present invention.

FIG. 2 is a front view of the clamp for extension cord according to the present invention.

FIG. 3 is a right side view of the clamp for extension cord according to the present invention.

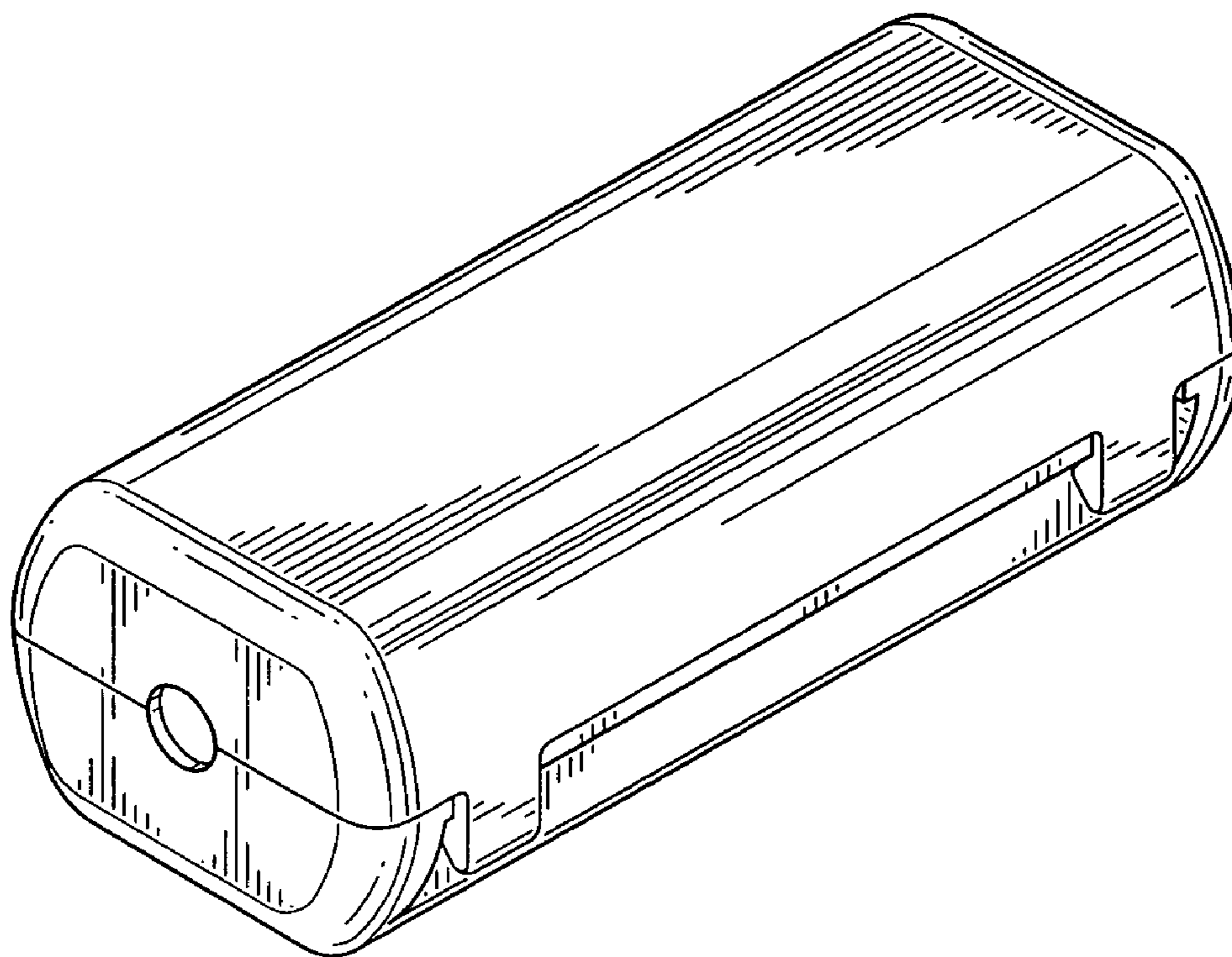
FIG. 4 is a left side view of the clamp for extension cord according to the present invention.

FIG. 5 is a rear view of the clamp for extension cord according to the present invention.

FIG. 6 is a top view of the clamp for extension cord according to the present invention; and,

FIG. 7 is a bottom view of the clamp for extension cord according to the present invention.

1 Claim, 2 Drawing Sheets



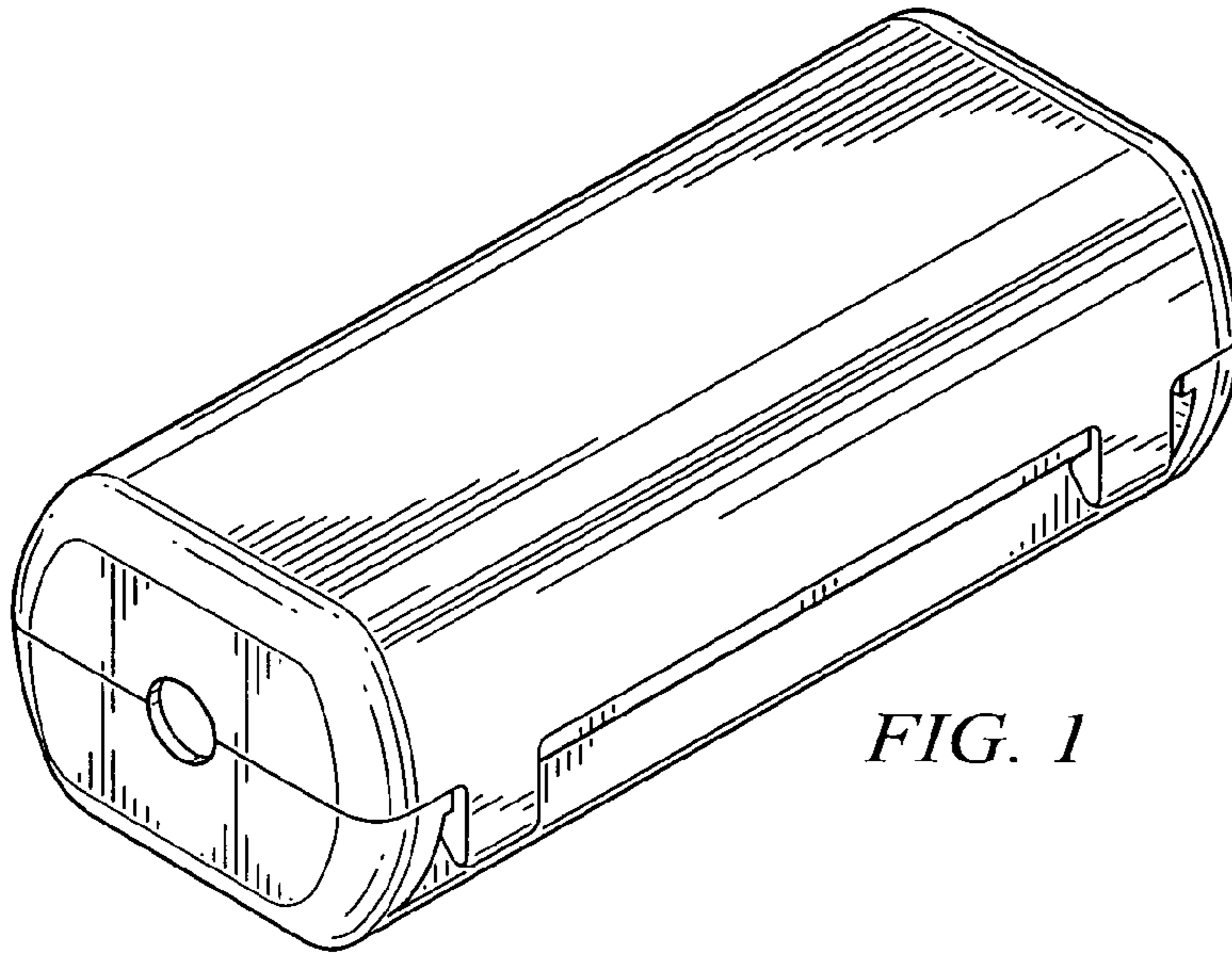


FIG. 1

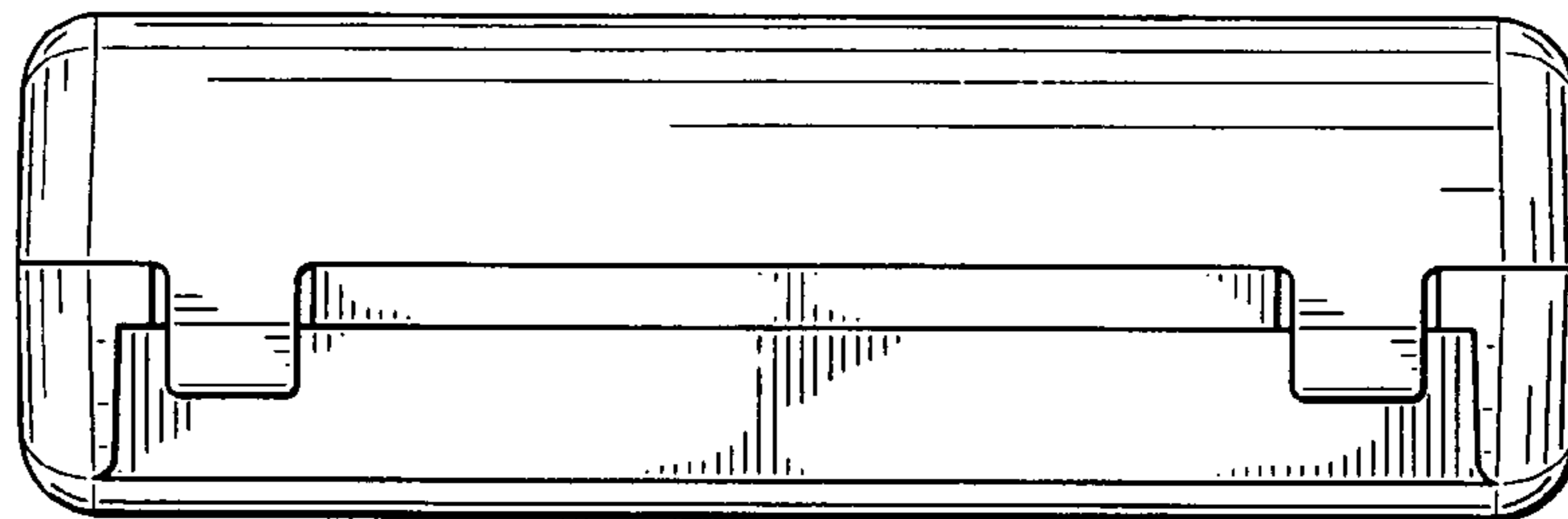


FIG. 2

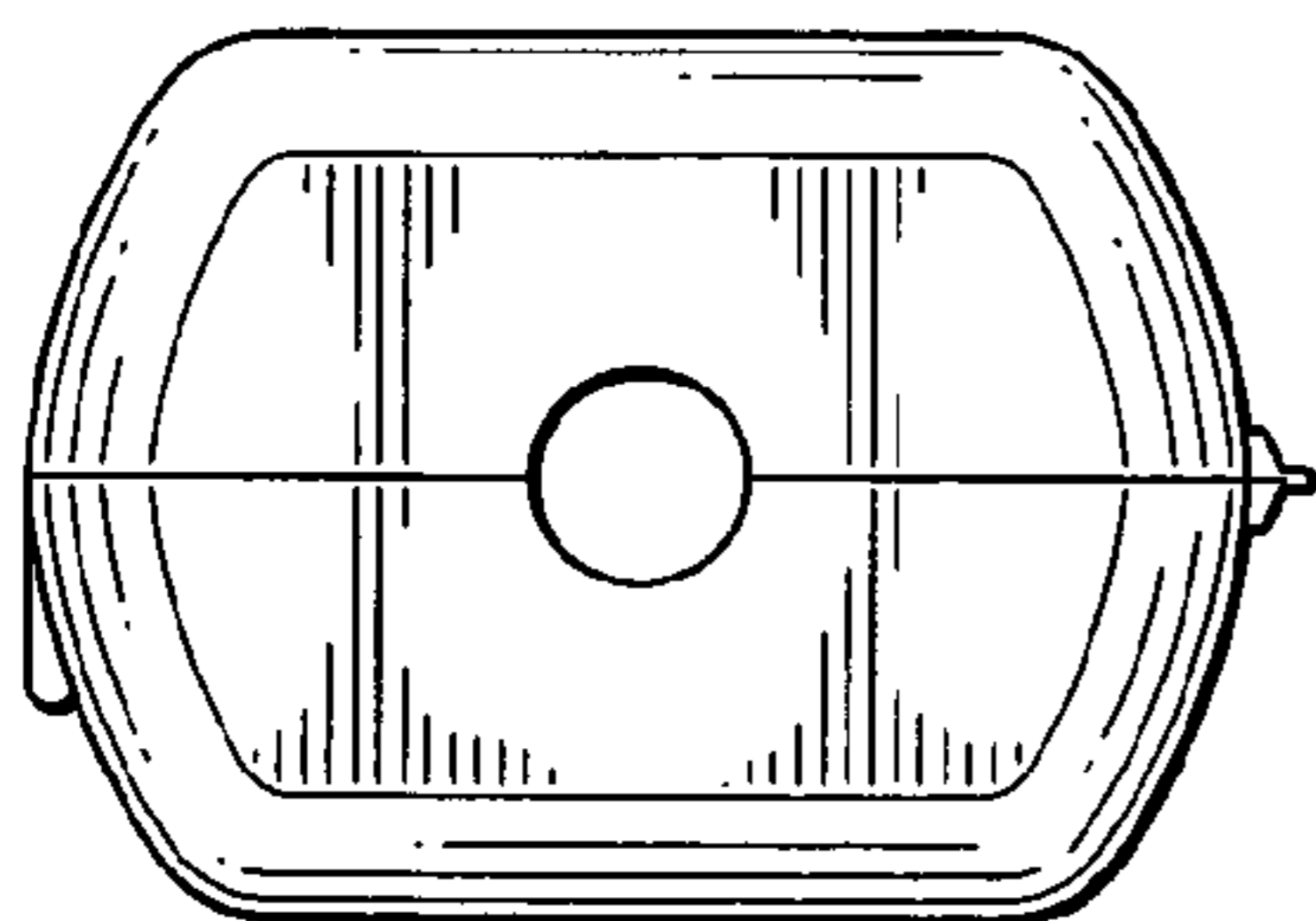


FIG. 3

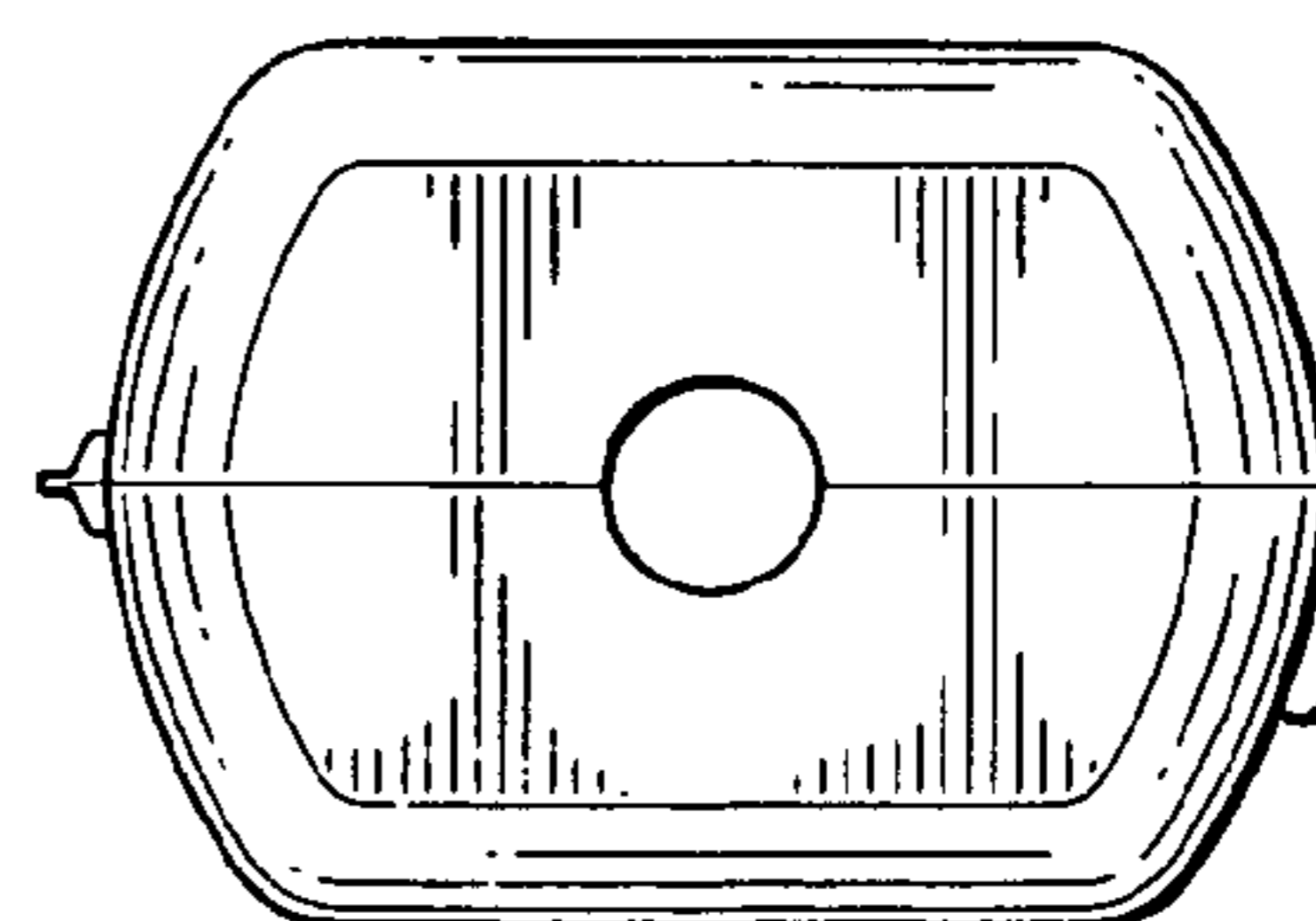


FIG. 4

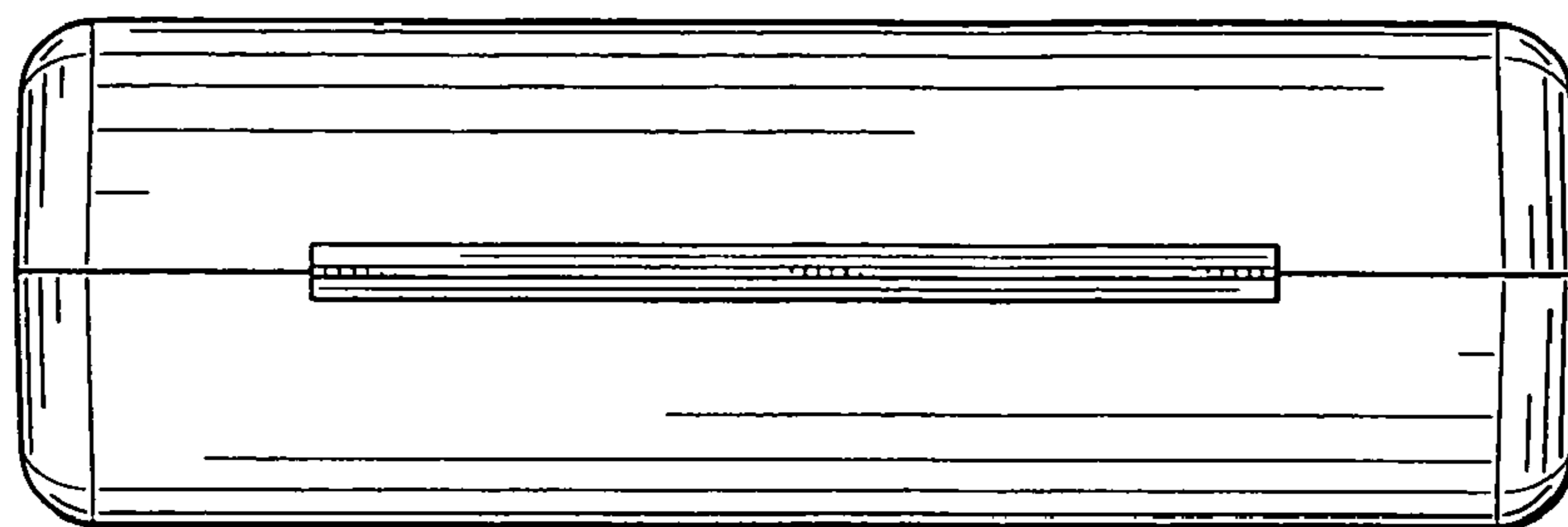


FIG. 5

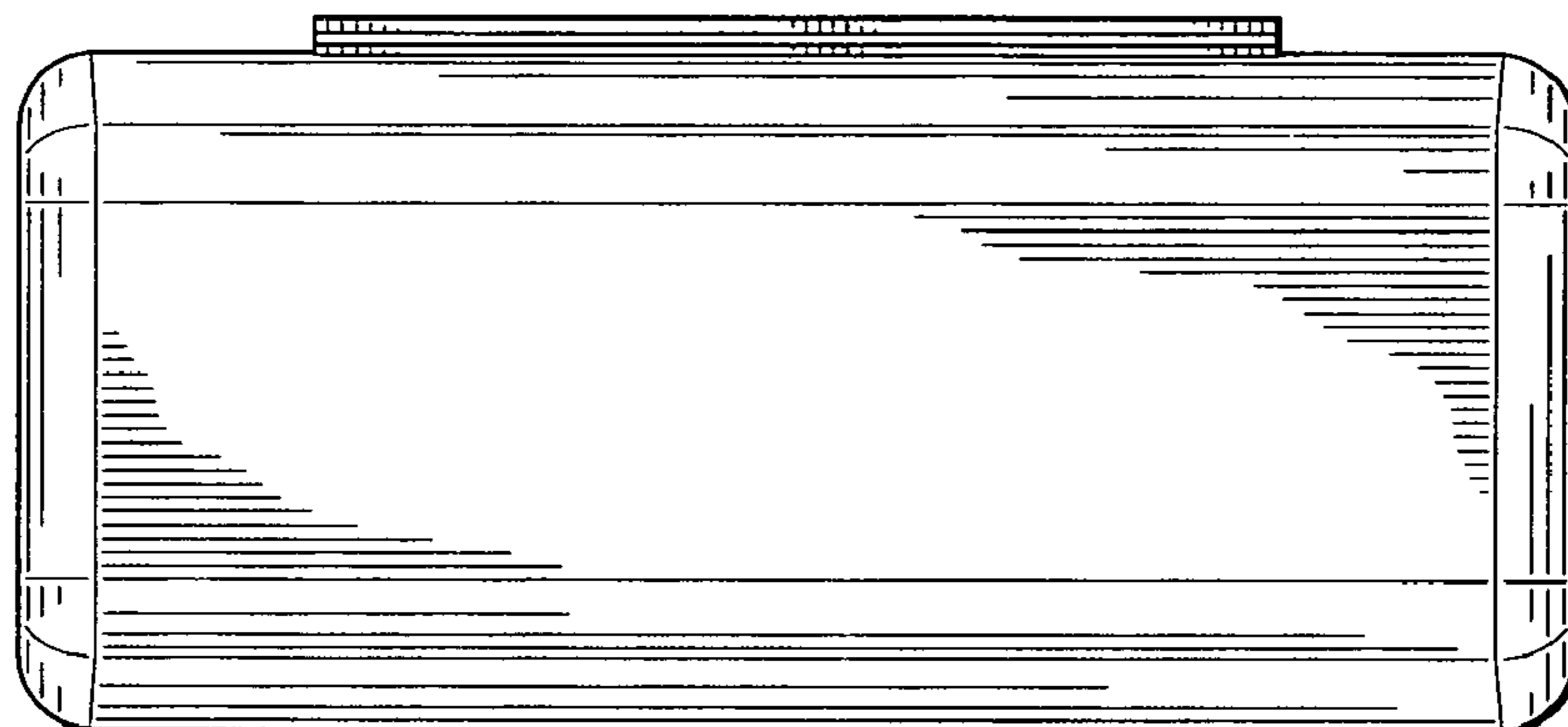


FIG. 6



FIG. 7