

US00D569348S

(12) **United States Design Patent**
Sasaki et al.

(10) **Patent No.:** **US D569,348 S**
(45) **Date of Patent:** **** May 20, 2008**

(54) **SPRING FOR A MEMORY CARD CONNECTOR**
(75) Inventors: **Ryo Sasaki**, Tokyo (JP); **Shogo Uehara**, Tokyo (JP)
(73) Assignee: **SMK Corporation**, Tokyo (JP)
(**) Term: **14 Years**
(21) Appl. No.: **29/278,591**
(22) Filed: **Apr. 3, 2007**

(30) **Foreign Application Priority Data**
Oct. 3, 2006 (JP) 2006-026759

(51) **LOC (8) Cl.** **13-03**
(52) **U.S. Cl.** **D13/154; D13/147**
(58) **Field of Classification Search** D13/133, D13/146-147, 154, 184; D14/432-435, D14/436, 438; 361/684-685; 439/64, 79, 439/159-160, 330-331, 341-342, 607-610, 439/629-630, 636, 660, 773, 862
See application file for complete search history.

(56) **References Cited**
U.S. PATENT DOCUMENTS
6,655,973 B2 * 12/2003 Ji et al. 439/159
D488,444 S * 4/2004 Motojima D13/147
7,104,820 B1 * 9/2006 Lu et al. 439/159
7,118,397 B1 * 10/2006 Su et al. 439/159
7,244,130 B2 * 7/2007 Miyamoto 439/159
D550,629 S * 9/2007 Kagami et al. D13/147
2005/0282440 A1 * 12/2005 Tseng et al. 439/630
2006/0166532 A1 * 7/2006 Tsai 439/159

FOREIGN PATENT DOCUMENTS
JP D1215553 S 7/2004
JP D1249702 S 7/2005
JP D1249703 S 7/2005

JP D1264424 S 1/2006
JP D1266466 S 2/2006
JP 2006-261069 A 9/2006
JP 2006-294570 A 10/2006
JP D1292743 S 1/2007

* cited by examiner
Primary Examiner—Daniel D Bui
(74) *Attorney, Agent, or Firm*—Darby & Darby P.C.

(57) **CLAIM**

The ornamental design for a spring for a memory card connector, as shown and described.

DESCRIPTION

FIG. 1 is a front elevation view of a spring for a memory card connector, showing our new design;
FIG. 2 is a bottom plan view thereof;
FIG. 3 is a right side elevation view thereof;
FIG. 4 is a rear elevation view thereof;
FIG. 5 is a top plan view thereof;
FIG. 6 is a left side elevation view thereof;
FIG. 7 is a top, left and front perspective view thereof;
FIG. 8 is a top, right and front perspective view thereof;
FIG. 9 is a top, right and rear perspective view thereof;
FIG. 10 is a bottom, left and front perspective view thereof;
FIG. 11 is a bottom, right and rear perspective view thereof;
FIG. 12 is a top, left and rear perspective view thereof; and,
FIG. 13 is a sectional view thereof, taken along lines 13—13.

The broken lines showing of the environment are for illustrative purposes only, and form no part of the claimed design.

1 Claim, 11 Drawing Sheets

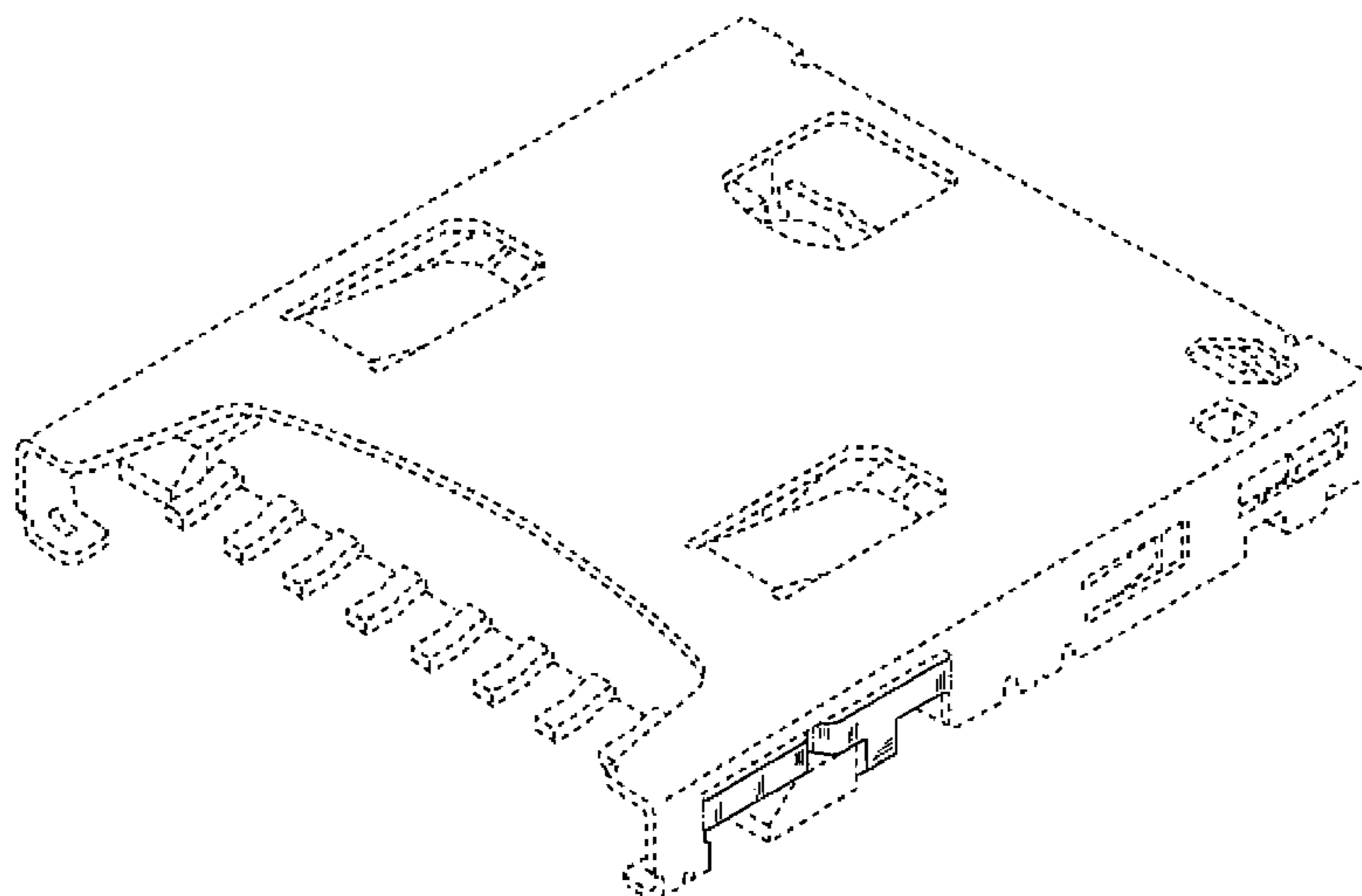


FIG. 1

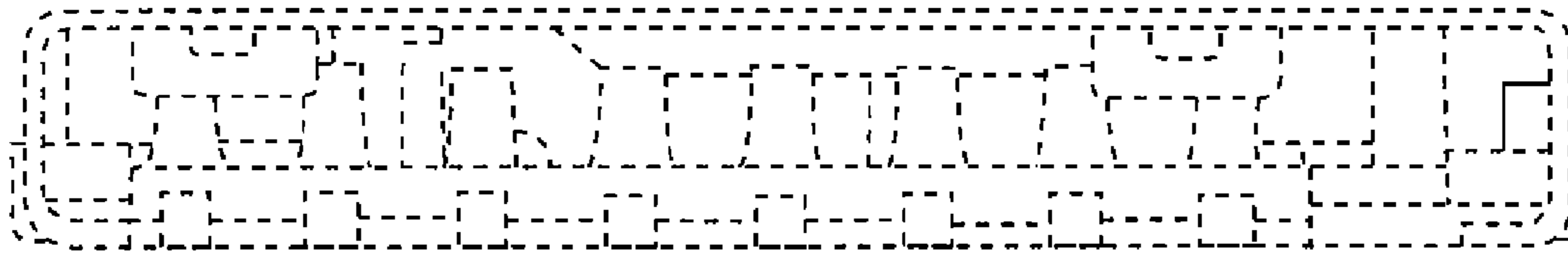


FIG. 4

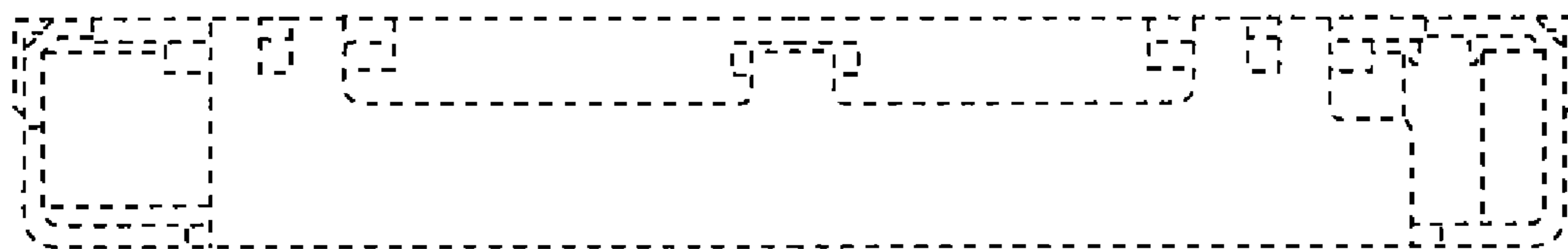


FIG. 2

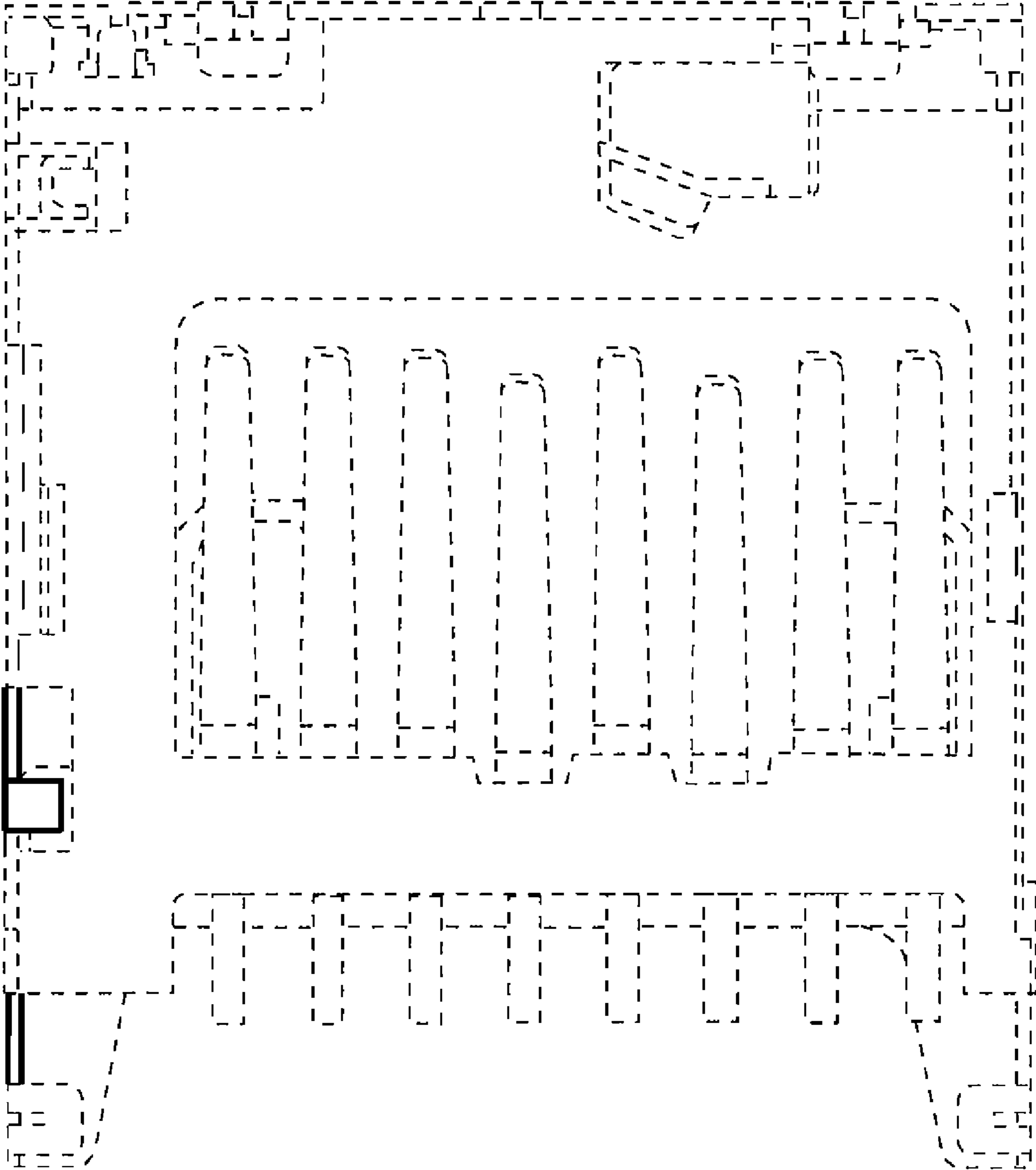


FIG. 3



FIG. 6

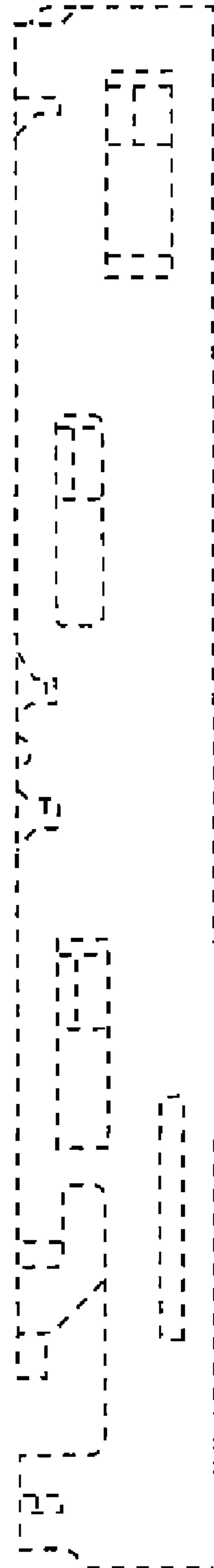


FIG. 5

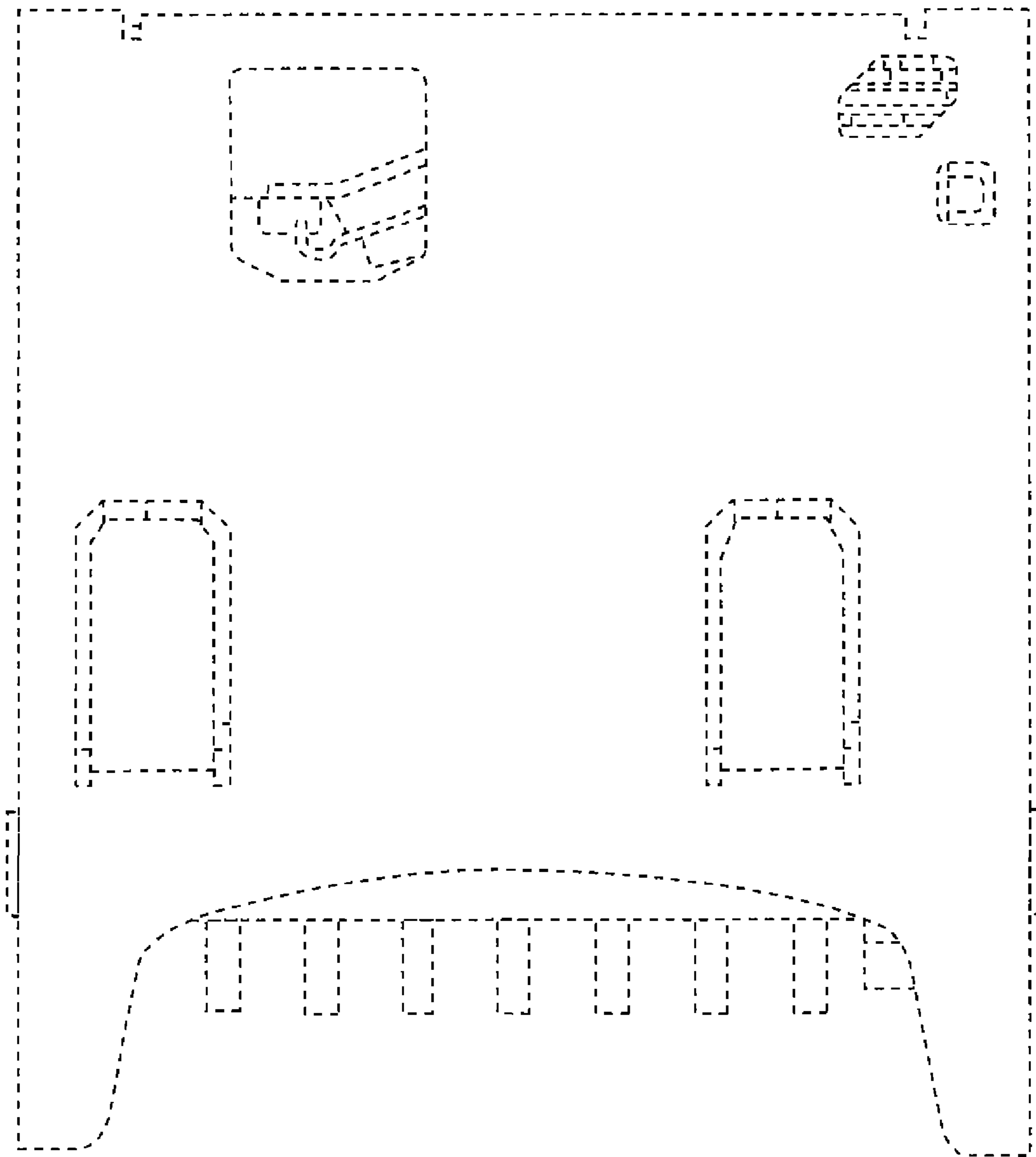


FIG. 7

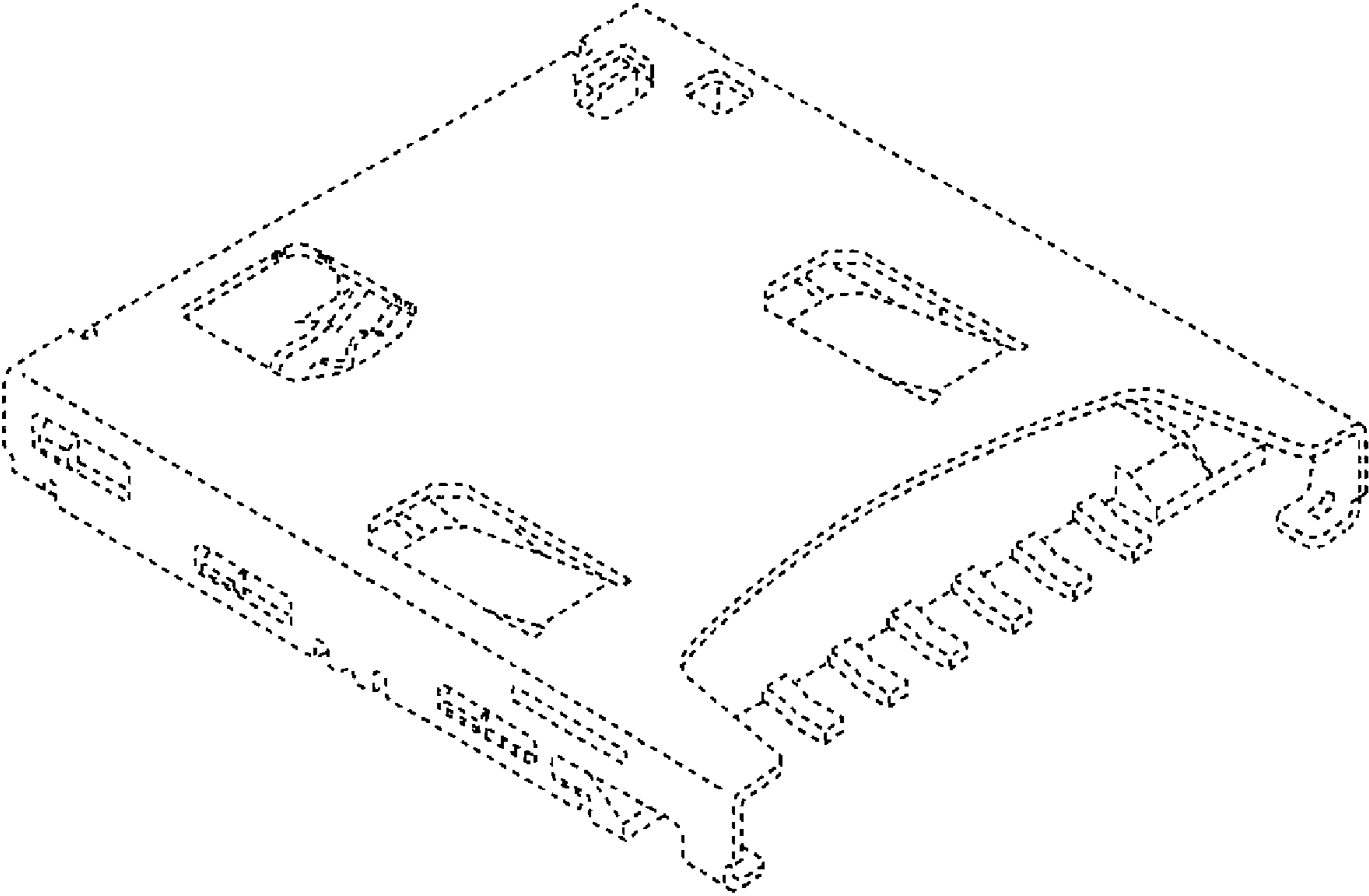


FIG. 8

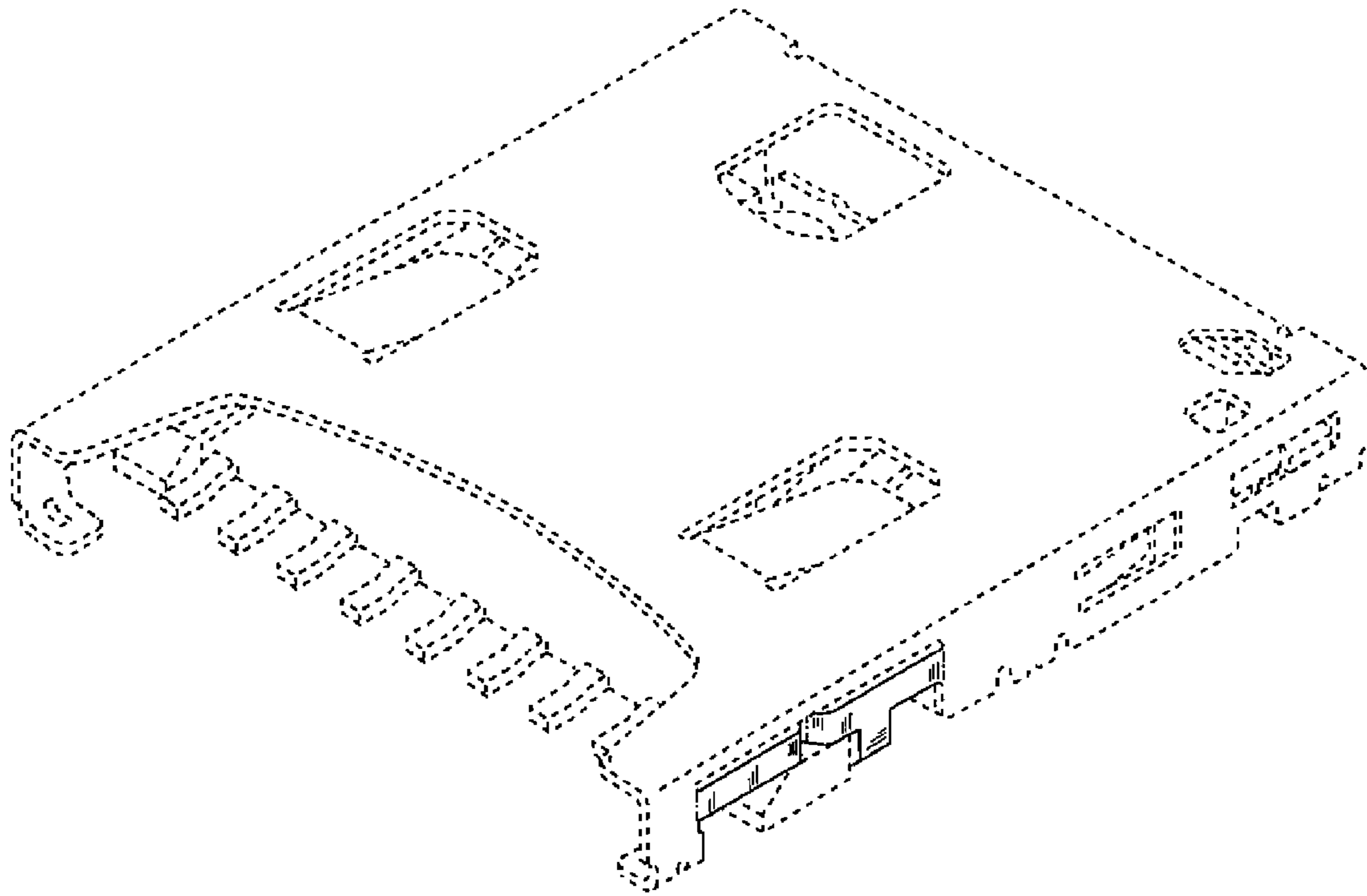


FIG. 9

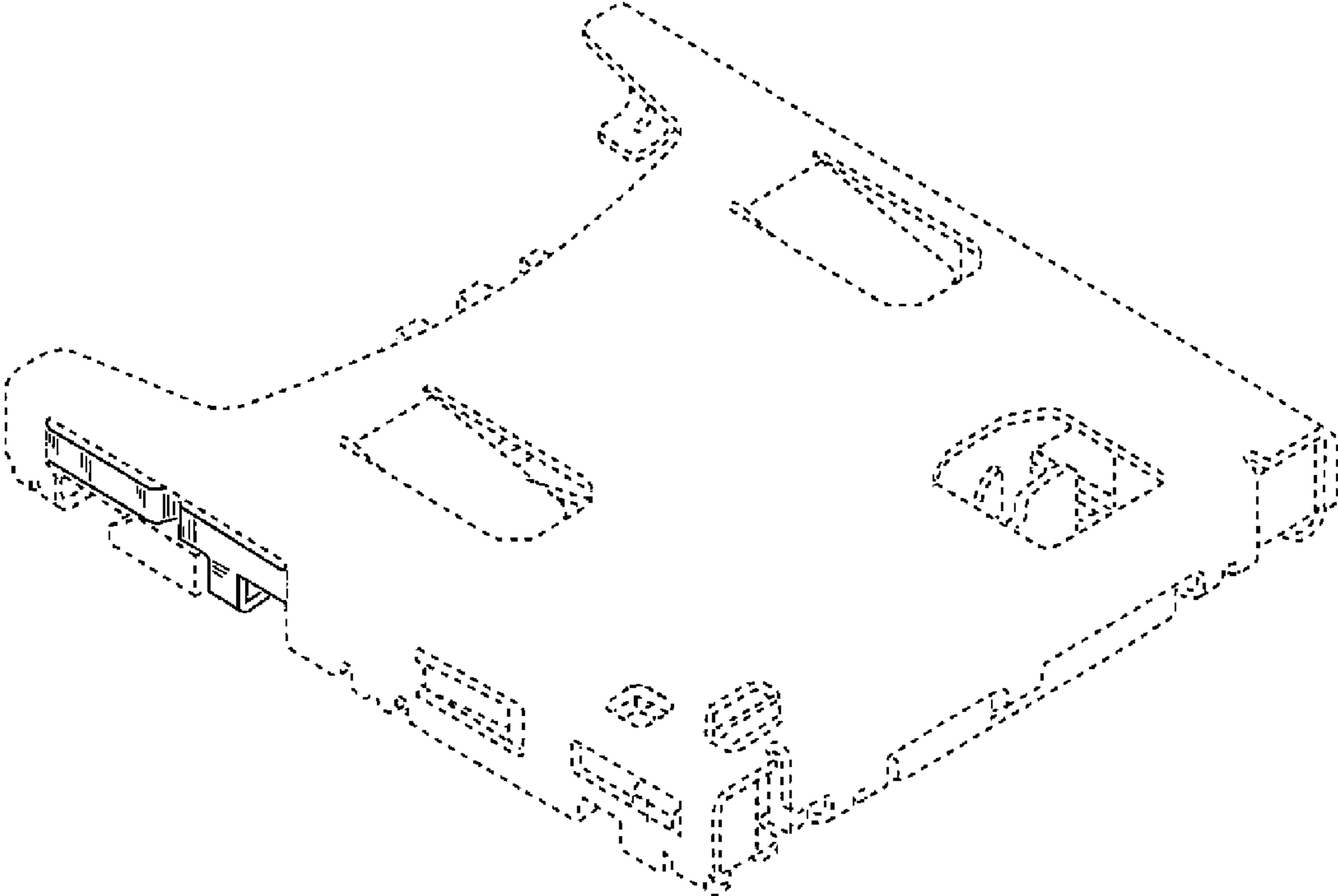


FIG. 10

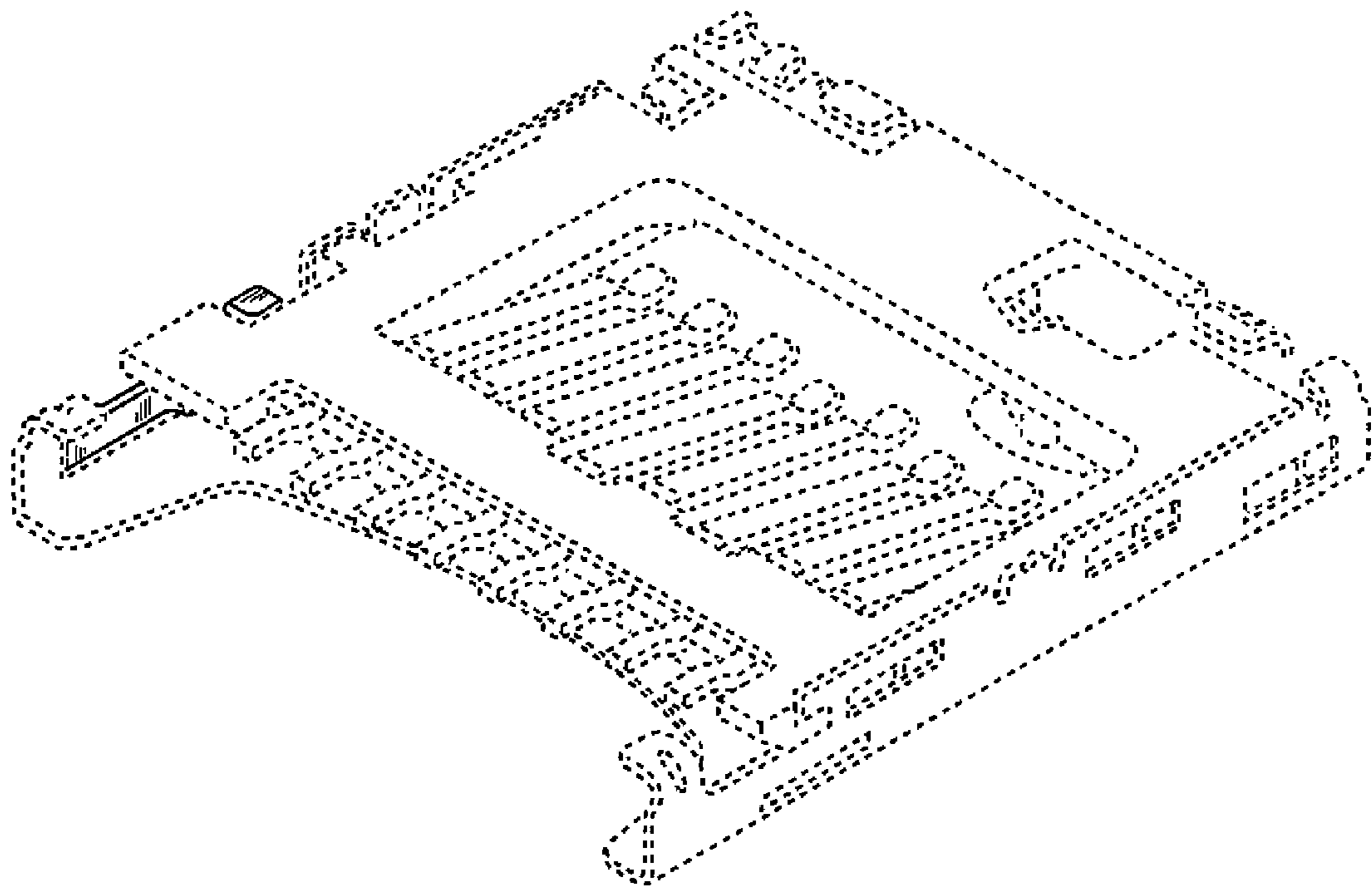


FIG. 11

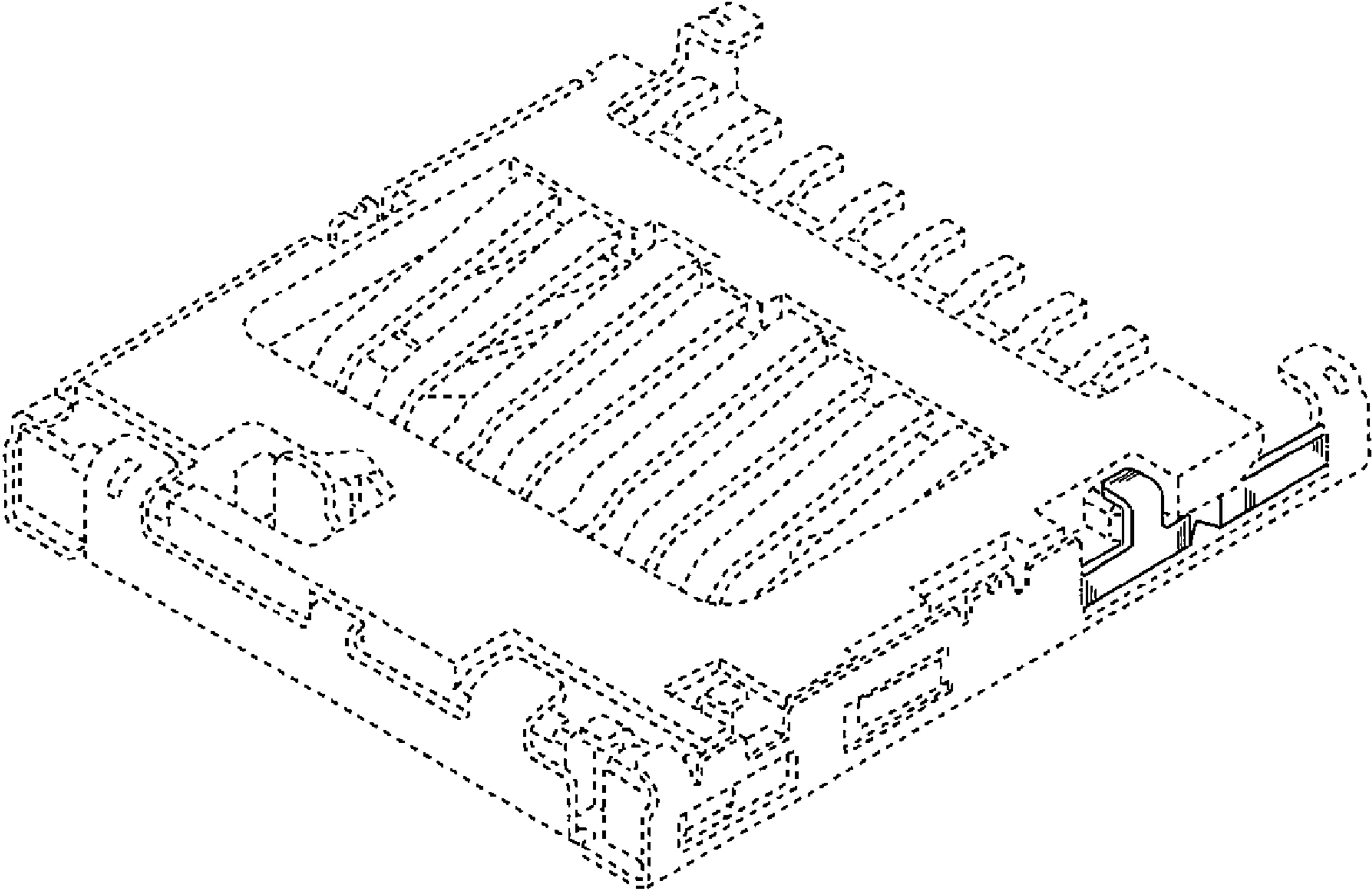


FIG. 12

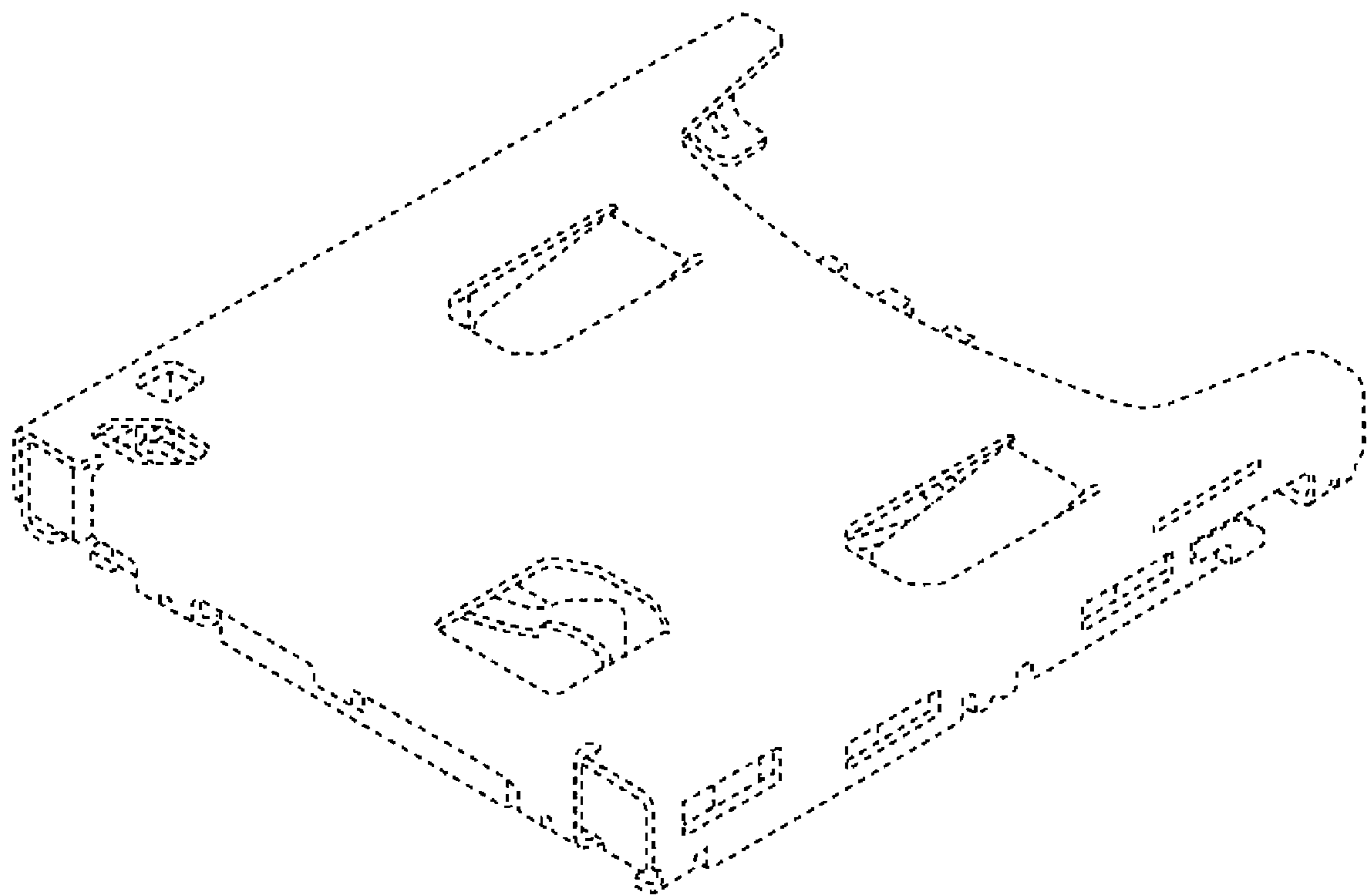


FIG. 13

