



US00D569347S

(12) **United States Design Patent**
Conn

(10) **Patent No.:** **US D569,347 S**

(45) **Date of Patent:** **** May 20, 2008**

(54) **ELECTRONIC MODULE RETAINER**

(75) Inventor: **Kevin D. Conn**, Houston, TX (US)

(73) Assignee: **Hewlett-Packard Development Company, L.P.**, Houston, TX (US)

(**) Term: **14 Years**

(21) Appl. No.: **29/257,169**

(22) Filed: **Mar. 30, 2006**

(51) **LOC (8) Cl.** **13-03**

(52) **U.S. Cl.** **D13/154; D13/147**

(58) **Field of Classification Search** D13/133,
D13/147, 154, 184, 199; 439/260, 296, 329,
439/345, 378, 395, 422, 495, 499

See application file for complete search history.

(56) **References Cited**

U.S. PATENT DOCUMENTS

6,381,149 B1	4/2002	Megason et al.	
D482,329 S *	11/2003	Hisamatsu et al. D13/147
D482,660 S *	11/2003	Hisamatsu et al. D13/147
D489,331 S *	5/2004	Hisamatsu et al. D13/147
6,735,091 B2	5/2004	Megason et al.	
D491,148 S *	6/2004	Zhao et al. D13/147
6,843,911 B2 *	1/2005	Janik et al. 210/232

7,137,842 B2 * 11/2006 Ko 439/358
2001/0045385 A1 * 11/2001 Janik et al. 210/232

* cited by examiner

Primary Examiner—Daniel D Bui

(57) **CLAIM**

The ornamental design for an electronic module retainer, as shown and described.

DESCRIPTION

FIG. 1 is a top, front and ride side perspective view of an electronic module retainer showing my new design;

FIG. 2 is a right side elevation view thereof, the left side elevation view is identical thereto;

FIG. 3 is a front elevation view thereof;

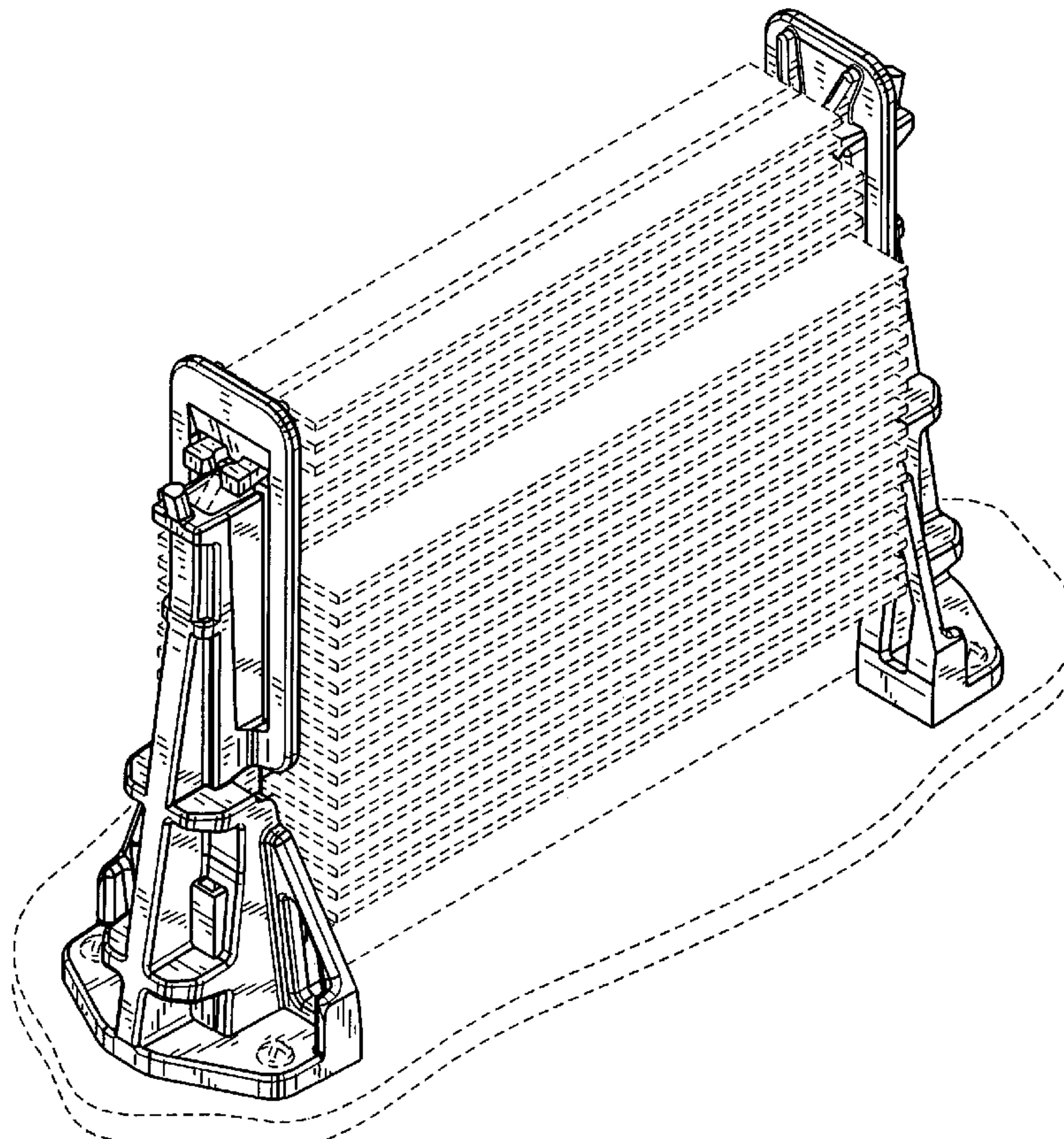
FIG. 4 is a top plan view thereof;

FIG. 5 is a top, rear and side perspective view of one portion of the claimed design, on an enlarged scale; and,

FIG. 6 is a rear elevation view of one portion of the claimed design as illustrated in FIG. 5.

The broken line showing of the environment is for illustrative purposes only and forms no part of the claimed design.

1 Claim, 6 Drawing Sheets



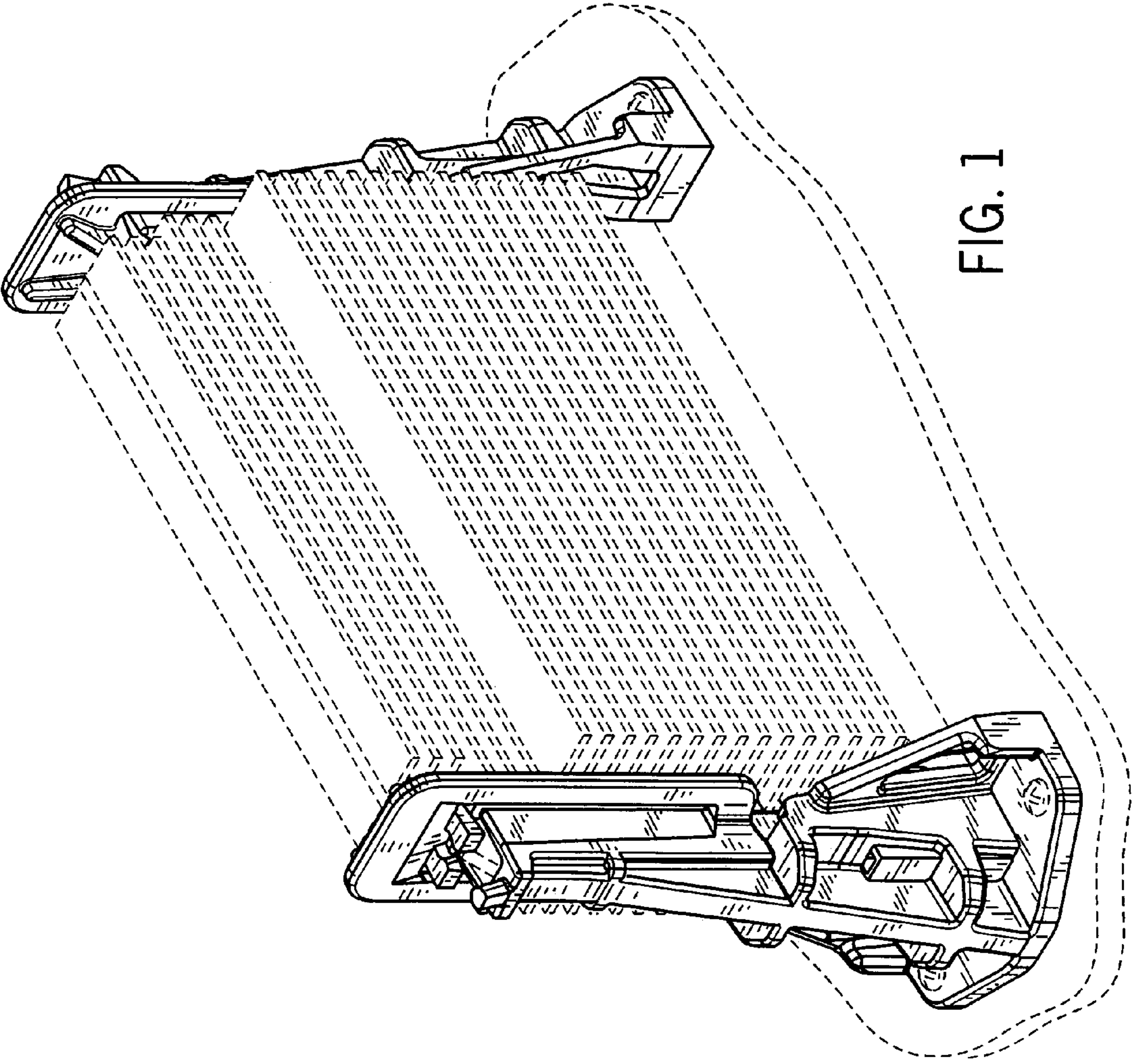


FIG. 1

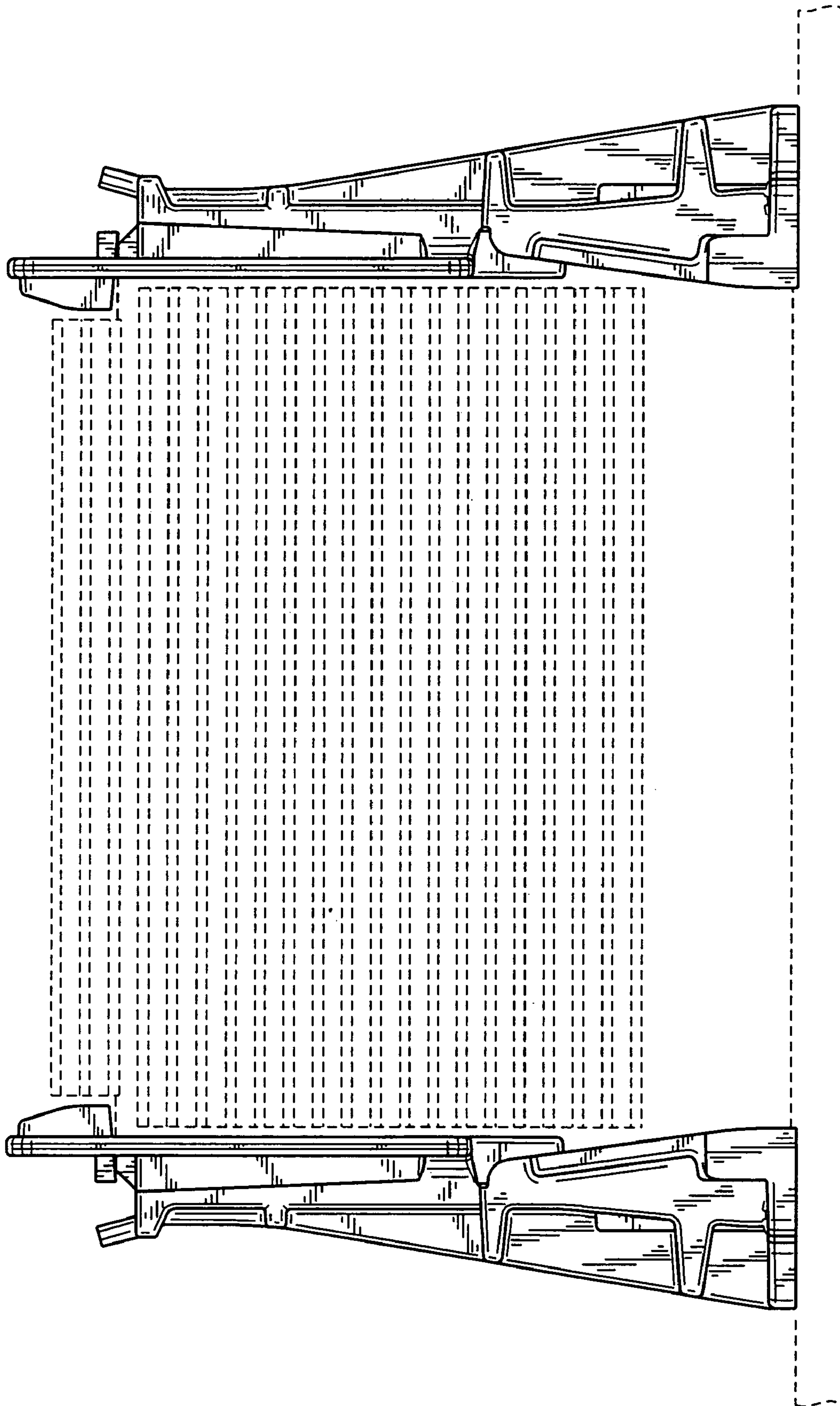


FIG. 2

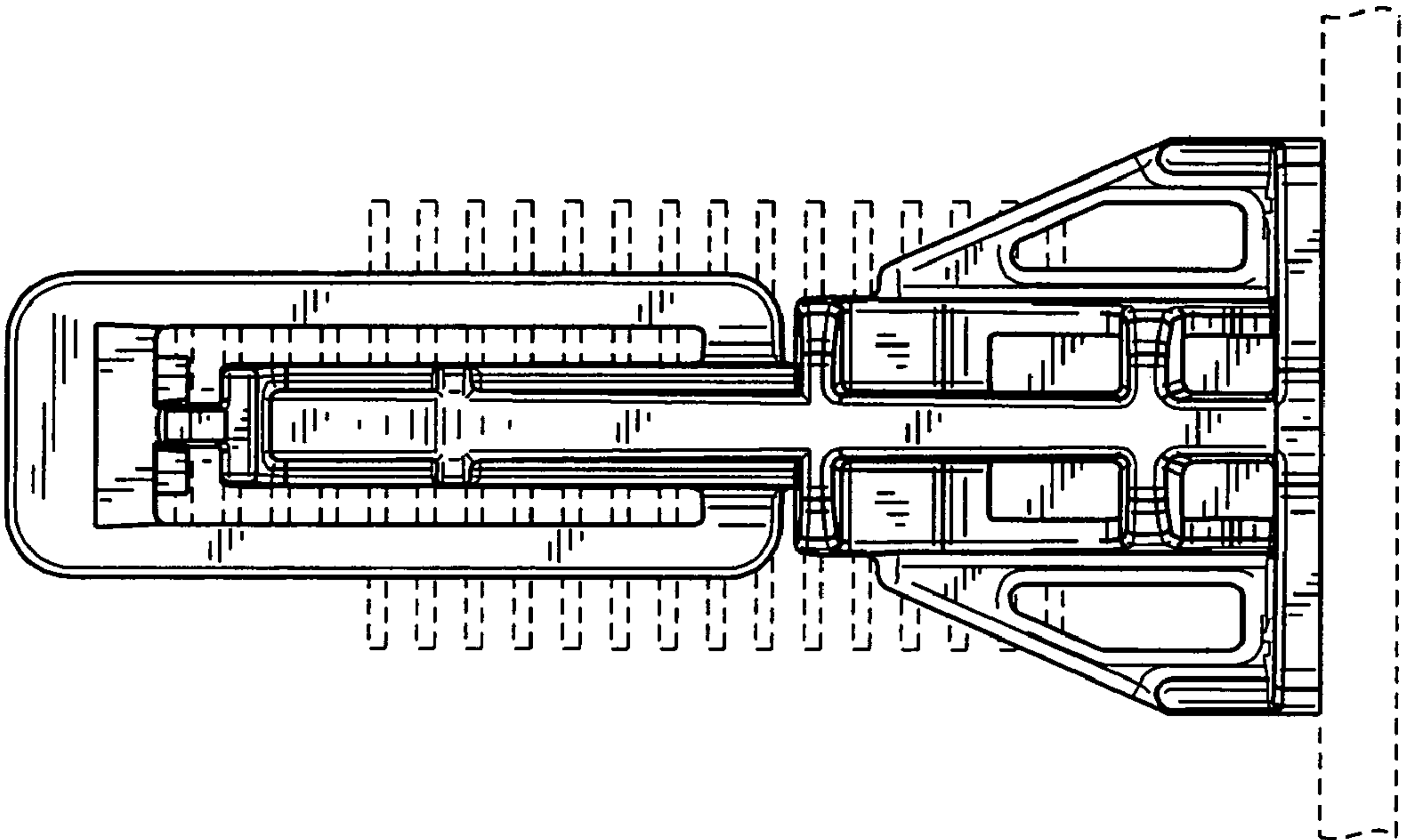


FIG. 3

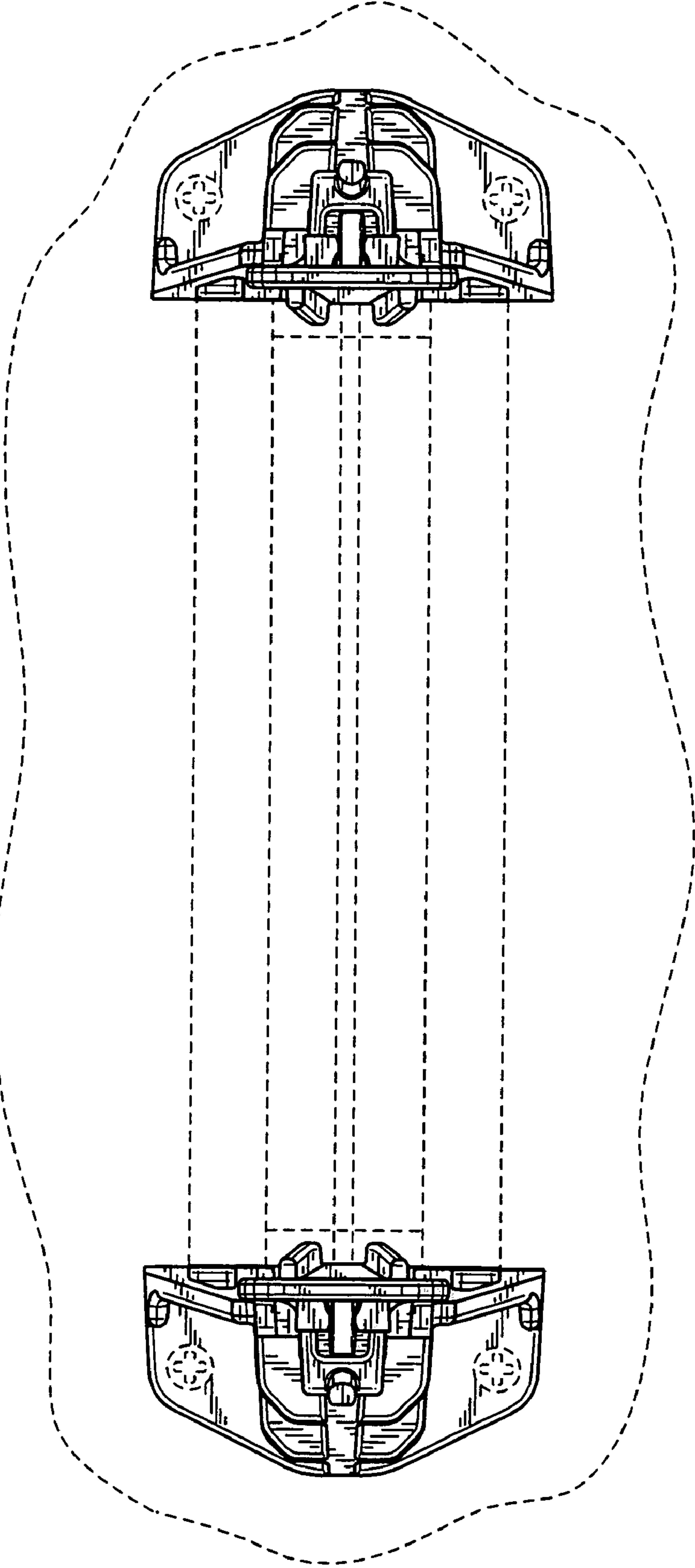


FIG. 4

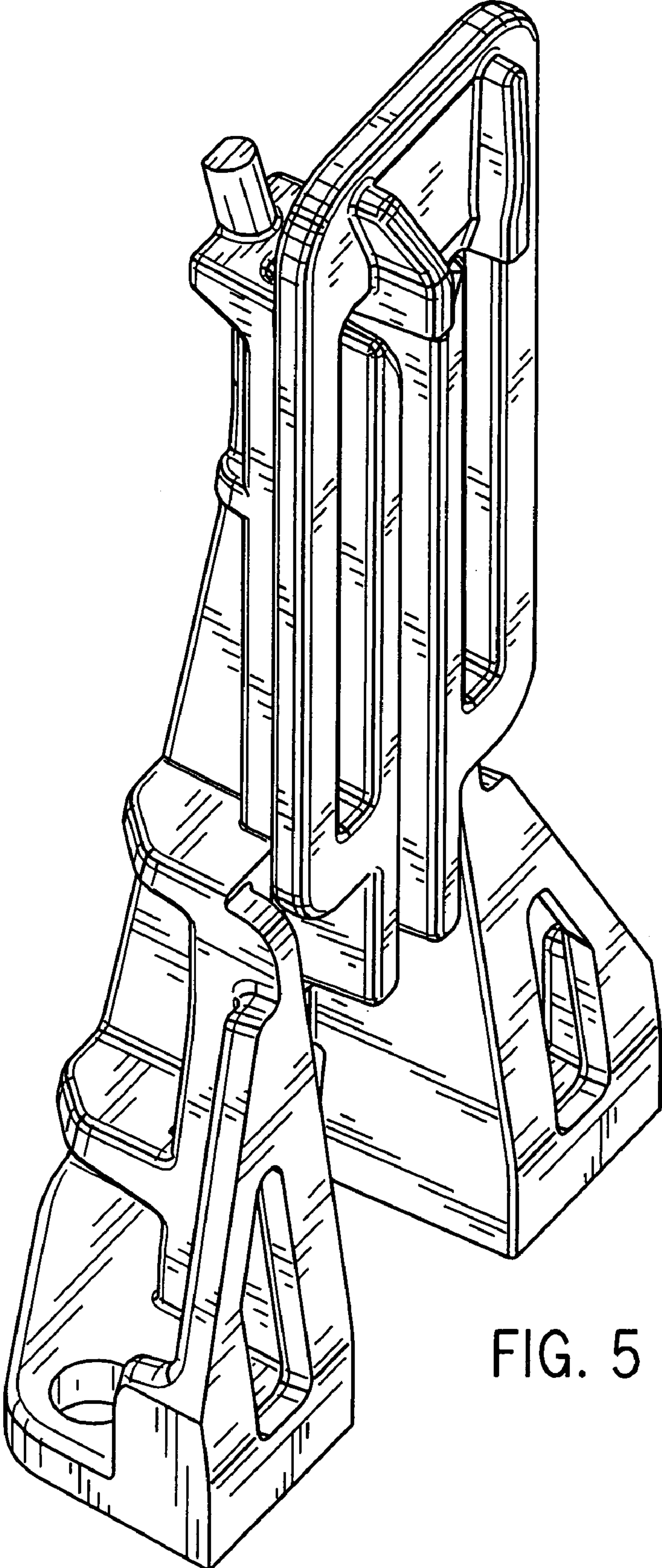


FIG. 5

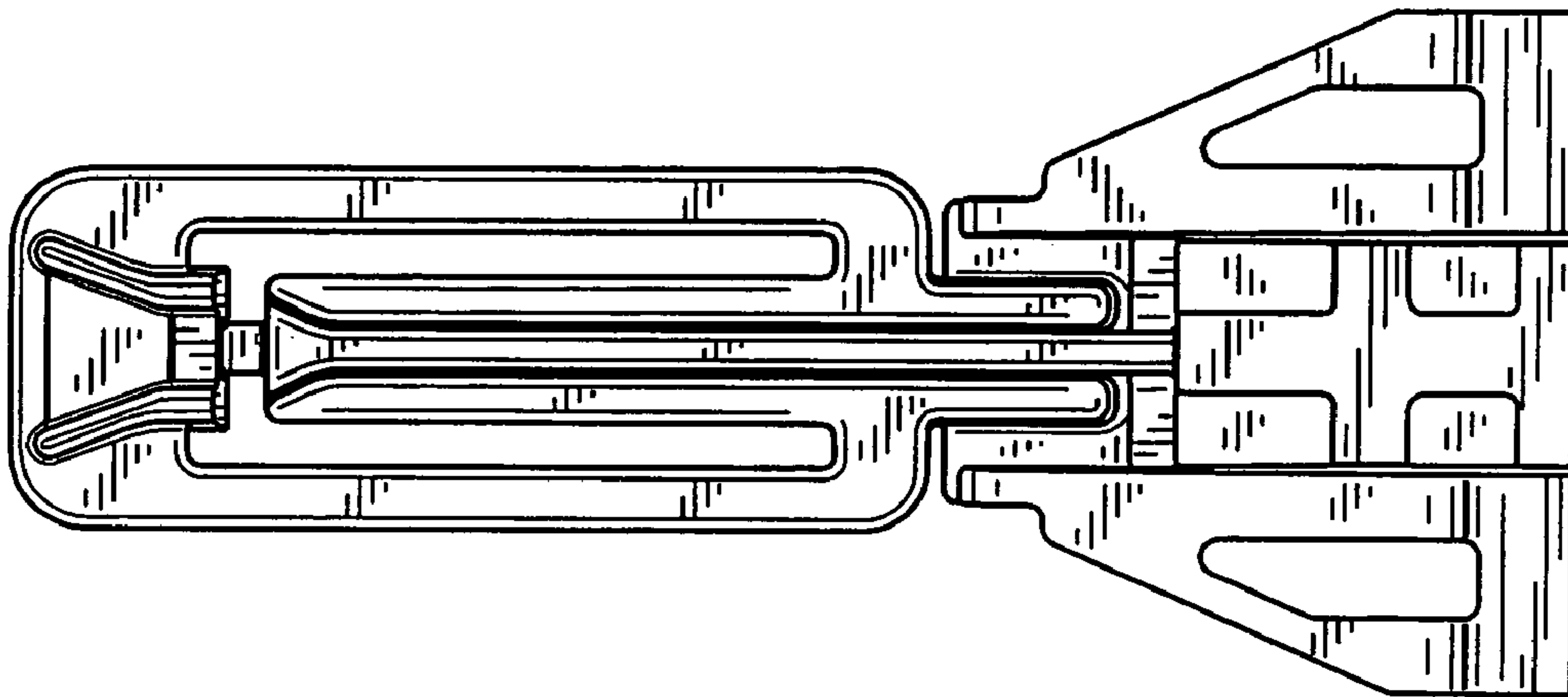


FIG. 6