



US00D569346S

(12) **United States Design Patent**
Wu et al.

(10) **Patent No.:** **US D569,346 S**

(45) **Date of Patent:** **** May 20, 2008**

(54) **SIM CARD CONNECTOR**

(75) Inventors: **Yin-Lung Wu**, Taipei Hsien (TW);
Ming Chiang Chen, Taipei Hsien
(TW); **Min Song**, Taipei Hsien (TW)

(73) Assignee: **Cheng Uei Precision Industry Co.,
Ltd.**, Taipei Hsien (TW)

(**) Term: **14 Years**

(21) Appl. No.: **29/283,956**

(22) Filed: **Aug. 28, 2007**

(51) **LOC (8) Cl.** **13-03**

(52) **U.S. Cl.** **D13/147**

(58) **Field of Classification Search** D13/133,
D13/146-147, 154, 184, 199; D14/432,
D14/433, 435, 436, 438; 439/64, 79, 159-160,
439/607-610, 629-631, 636, 660; 361/684-685
See application file for complete search history.

(56) **References Cited**

U.S. PATENT DOCUMENTS

D470,148 S * 2/2003 Nishio et al. D14/433
6,609,936 B2 * 8/2003 Bricaud et al. 439/630
D488,444 S * 4/2004 Motojima D13/147
6,905,369 B2 * 6/2005 Nakai et al. 439/630

D523,860 S * 6/2006 Xu et al. D14/436
D528,986 S * 9/2006 Su D13/147
D535,258 S * 1/2007 Sasaki D13/147
D544,842 S * 6/2007 Nishio et al. D13/147
D547,727 S * 7/2007 Sasaki D13/147
D559,255 S * 1/2008 Nishio et al. D14/433

* cited by examiner

Primary Examiner—Daniel D Bui

(74) *Attorney, Agent, or Firm*—Rosenberg, Klein & Lee

(57) **CLAIM**

The ornamental design for a SIM card connector, as shown and described.

DESCRIPTION

FIG. 1 is a perspective view of a SIM card connector showing our new design;

FIG. 2 is a front elevational view thereof;

FIG. 3 is a rear elevational view thereof;

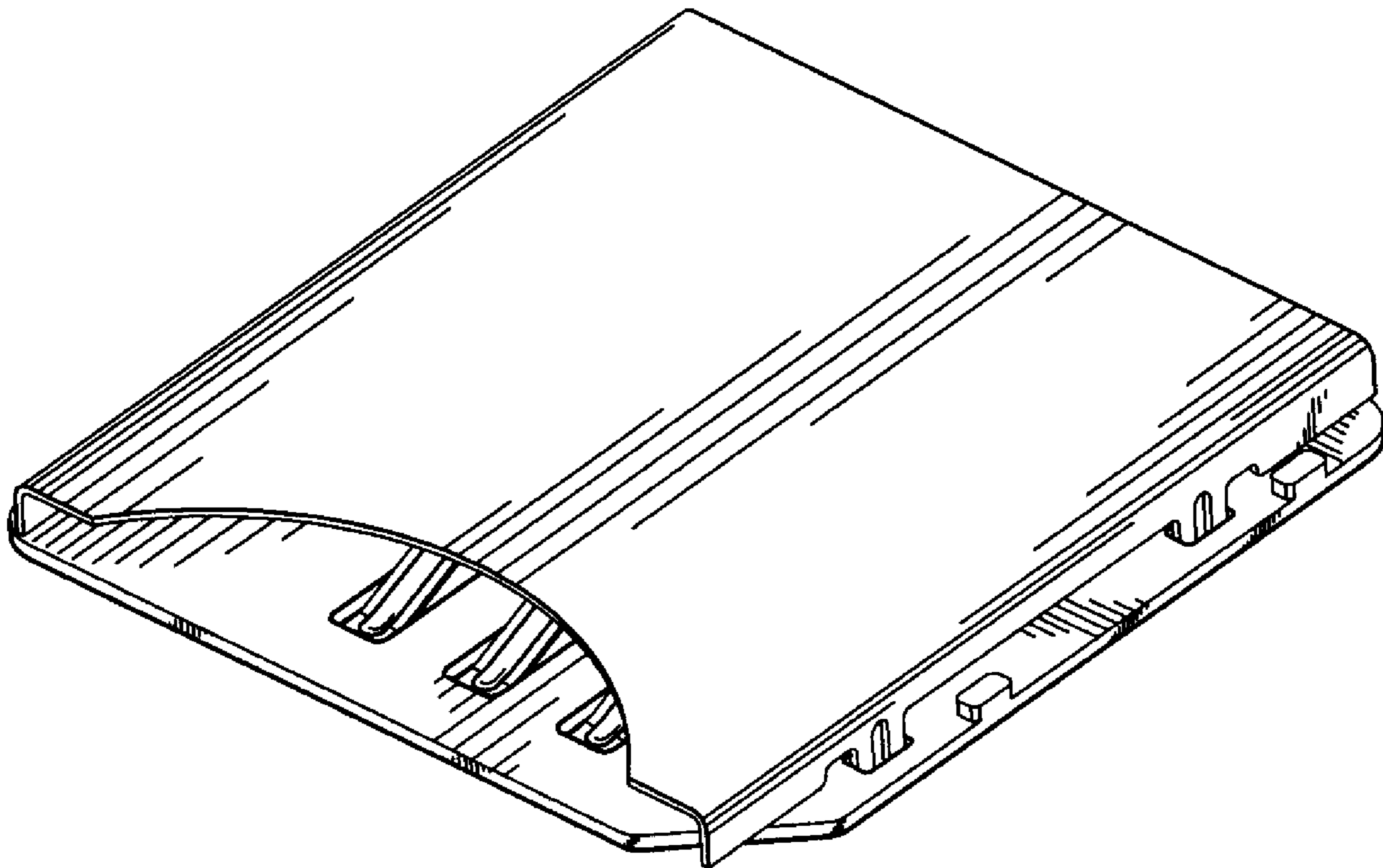
FIG. 4 is a left side elevational view thereof;

FIG. 5 is a right side elevational view thereof;

FIG. 6 is a top plan view thereof; and,

FIG. 7 is a bottom plan view thereof.

1 Claim, 7 Drawing Sheets



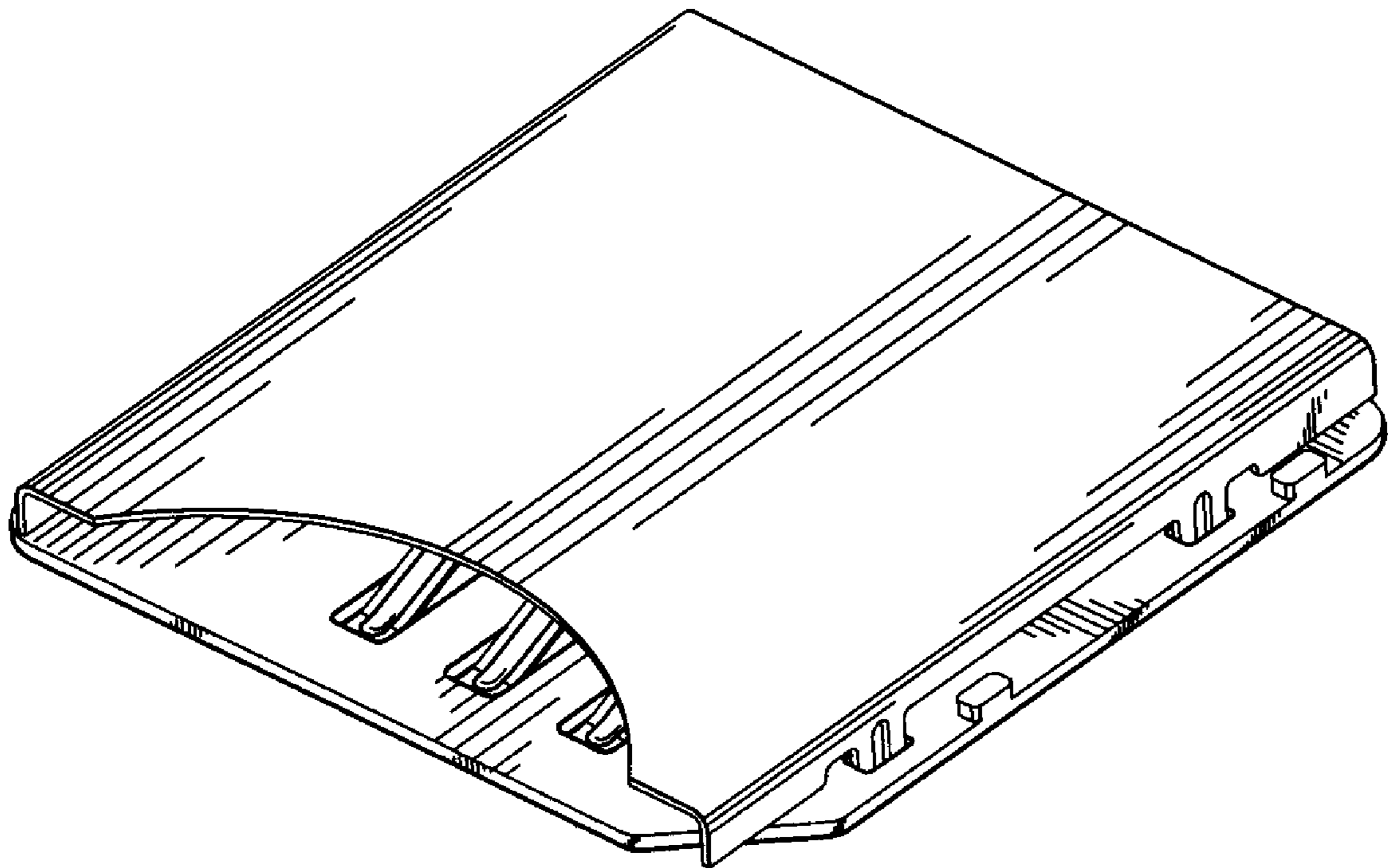


FIG. 1

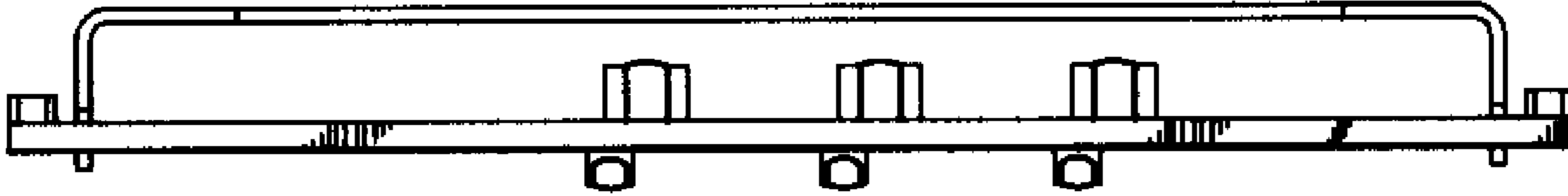


FIG. 2

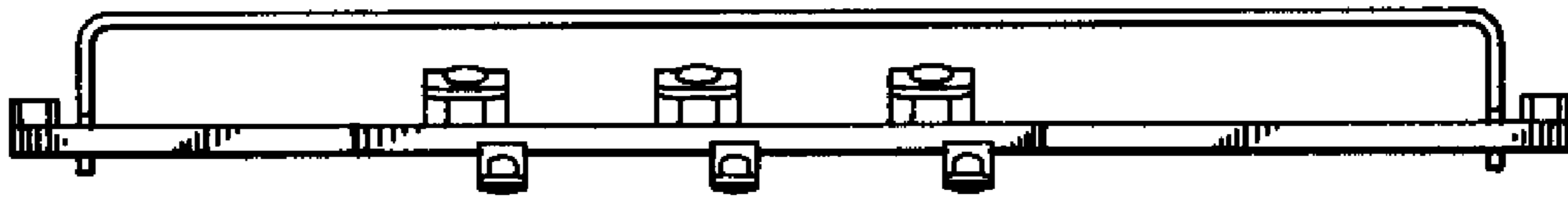


FIG. 3



FIG. 4

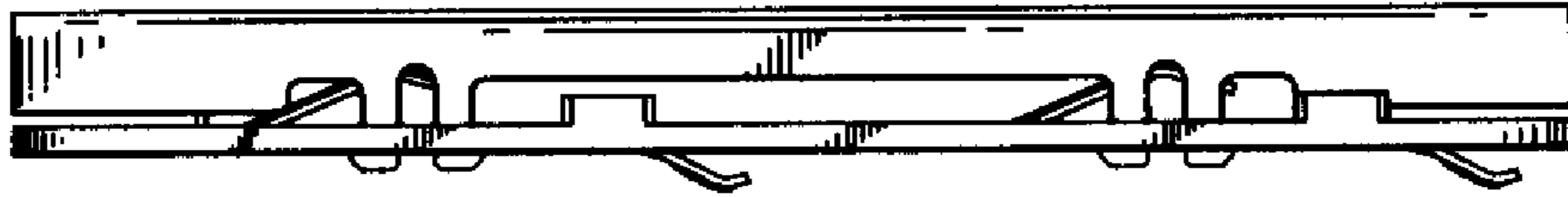


FIG. 5

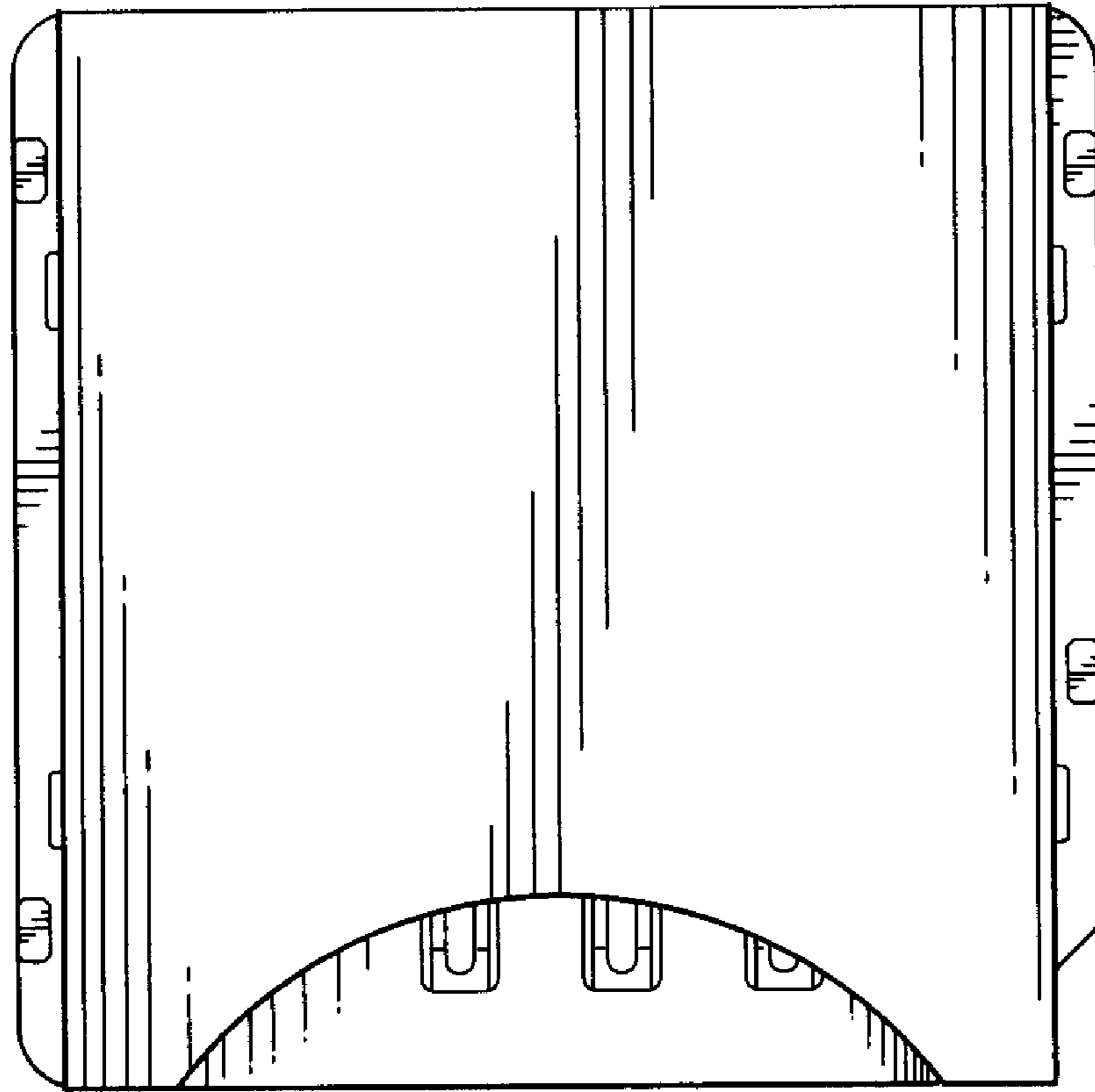


FIG. 6

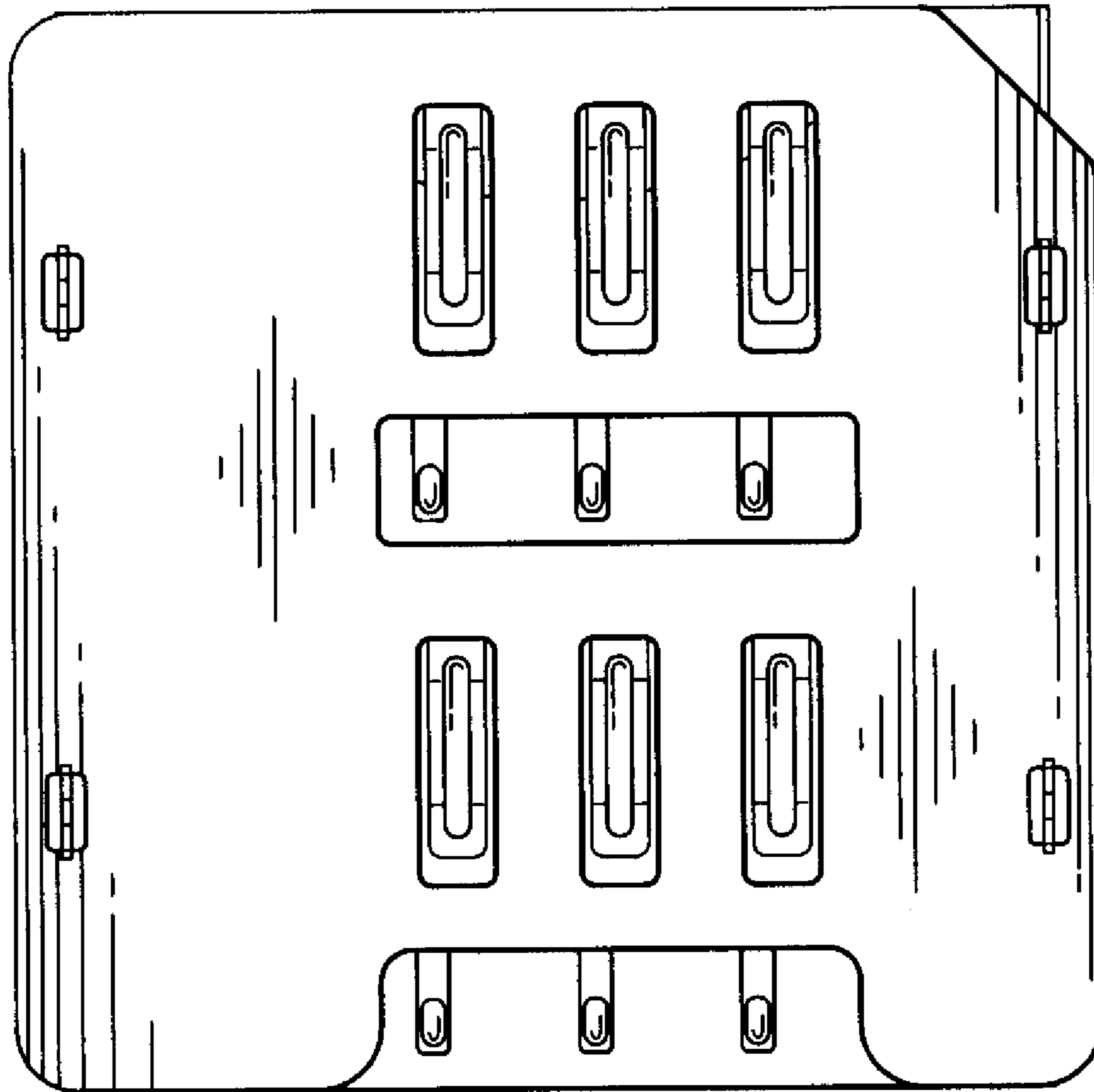


FIG. 7