



US00D569345S

(12) **United States Design Patent**  
**Ikegami**

(10) **Patent No.:** **US D569,345 S**

(45) **Date of Patent:** **\*\* May 20, 2008**

(54) **ELECTRICAL CONNECTOR**

(75) Inventor: **Kenji Ikegami**, Tokyo (JP)

(73) Assignee: **Tyco Electronics AMP K.K.**,  
Kanagawa-Ken (JP)

(\*\*) Term: **14 Years**

(21) Appl. No.: **29/283,794**

(22) Filed: **Aug. 23, 2007**

**Related U.S. Application Data**

(62) Division of application No. 29/250,699, filed on Nov. 28, 2006, now Pat. No. Des. 555,100.

(30) **Foreign Application Priority Data**

Jun. 9, 2006 (JP) ..... 2006-15009  
Jun. 9, 2006 (JP) ..... 2006-15010

(51) **LOC (8) Cl.** ..... **13-03**

(52) **U.S. Cl.** ..... **D13/147**

(58) **Field of Classification Search** ..... D13/133,  
D13/146-147, 154, 184, 194; 439/79, 108,  
439/607-610, 660, 668, 680

See application file for complete search history.

(56) **References Cited**

**U.S. PATENT DOCUMENTS**

D408,788 S 4/1999 Homma  
D427,975 S 7/2000 Zhu et al.  
D465,202 S 11/2002 Kubota

D507,538 S 7/2005 Wang  
D507,780 S 7/2005 Wang  
D540,746 S 4/2007 Watanabe et al.  
D543,151 S 5/2007 Watanabe et al.

**FOREIGN PATENT DOCUMENTS**

JP 2003187916 7/2003  
JP D1199255 1/2004  
JP D1291773 12/2006  
JP D1291963 12/2006

*Primary Examiner*—Daniel Bui

(74) *Attorney, Agent, or Firm*—Barley Snyder LLC

(57) **CLAIM**

I claim the ornamental design for an electrical connector, as shown and described.

**DESCRIPTION**

FIG. 1 is a front elevation view of an electrical connector, showing my new design;

FIG. 2 is a top plan view thereof;

FIG. 3 is a right side elevation view thereof;

FIG. 4 is a rear elevation view thereof;

FIG. 5 is a bottom plan view thereof;

FIG. 6 is a top, front and right side perspective view thereof;

FIG. 7 is a bottom, rear and left side perspective view thereof; and,

FIG. 8 is a cross sectional view thereof on a larger scale, taken along line 8—8 in FIG. 1.

**1 Claim, 8 Drawing Sheets**

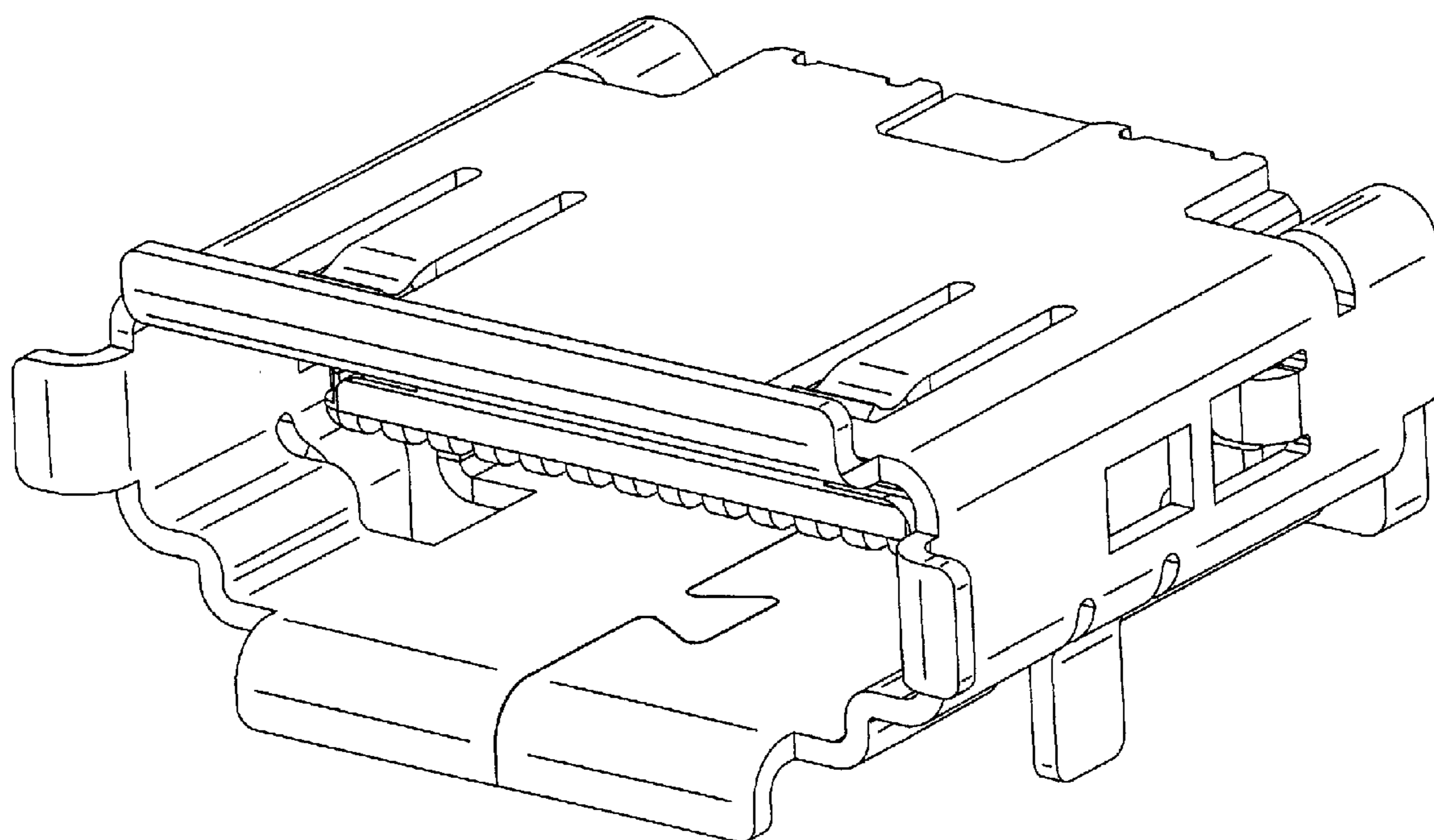
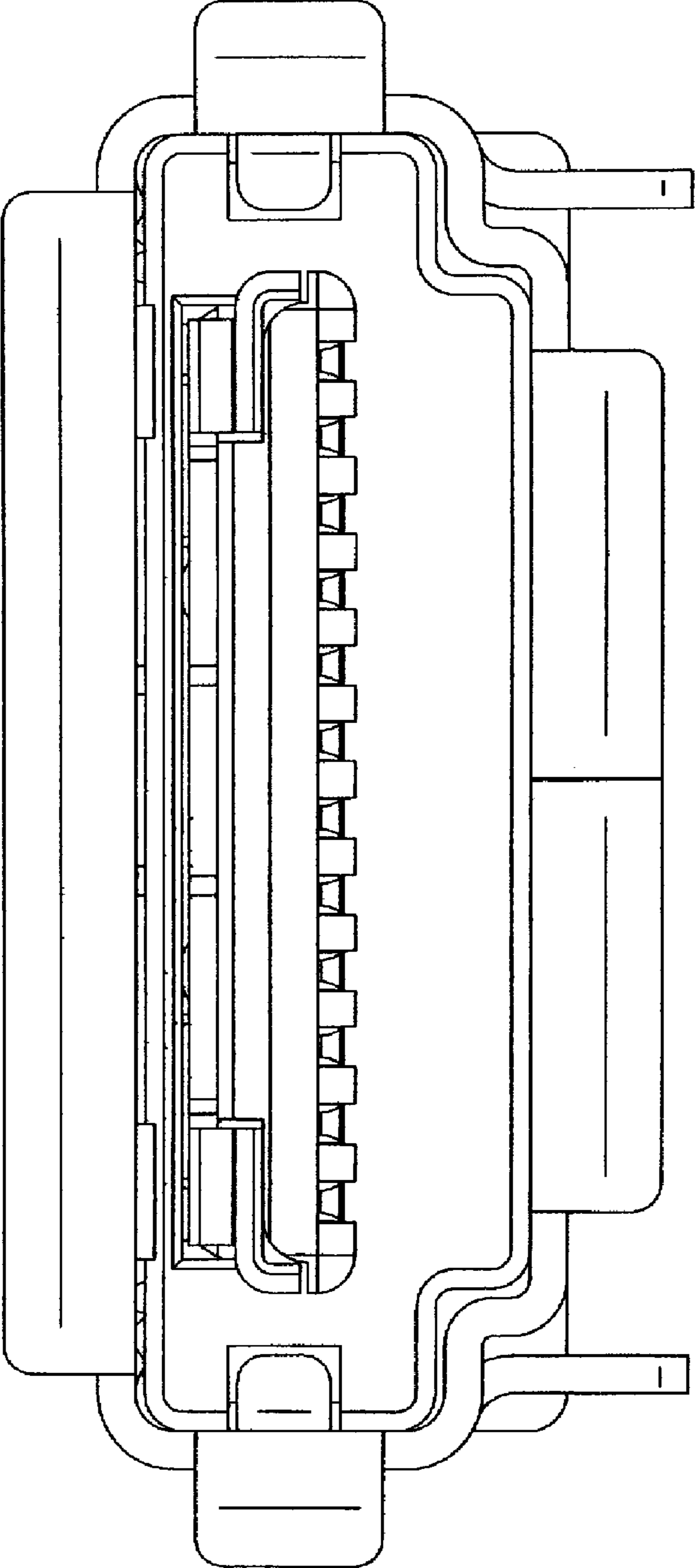


Fig. 1  
8



8

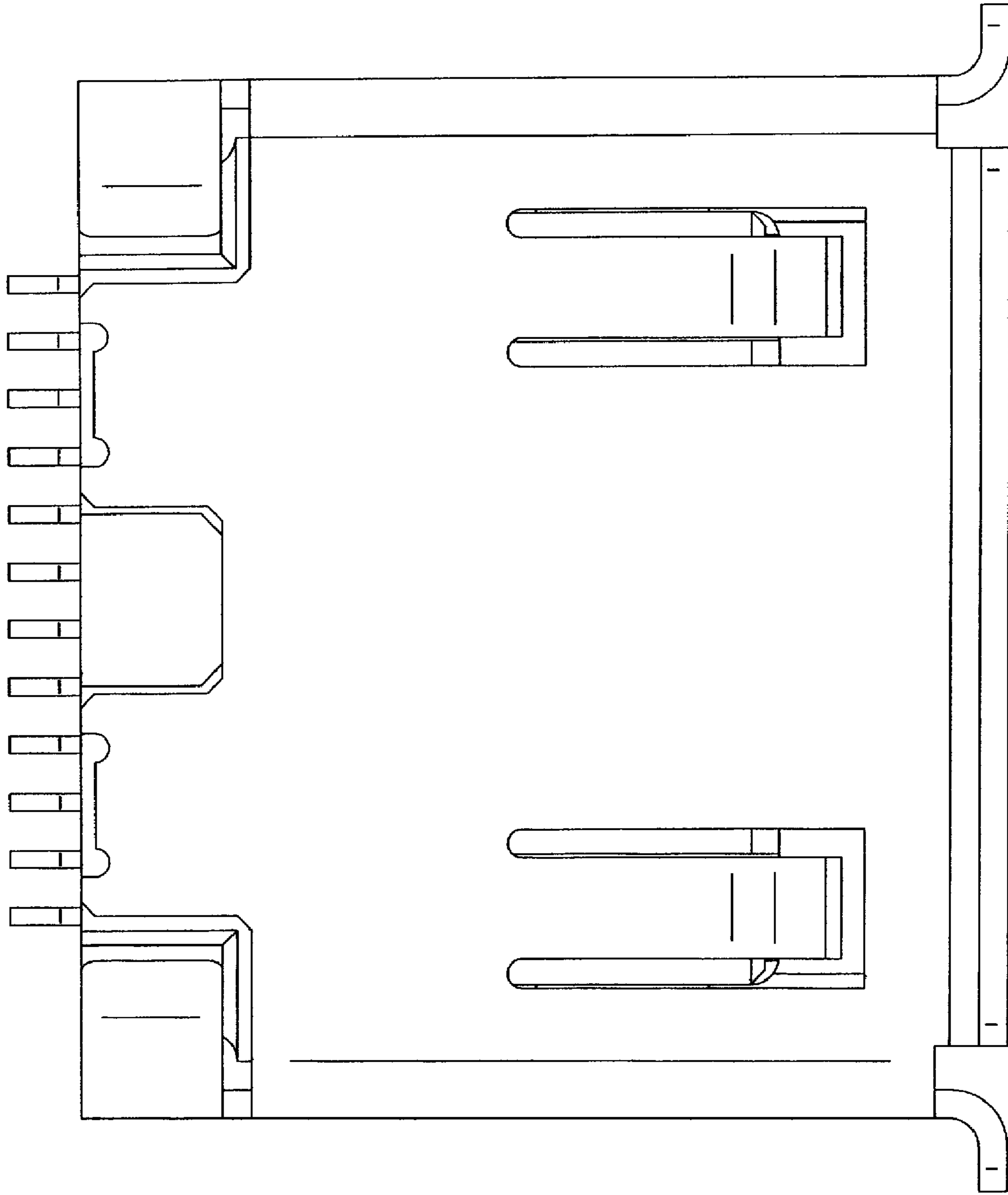


Fig. 2

Fig. 3

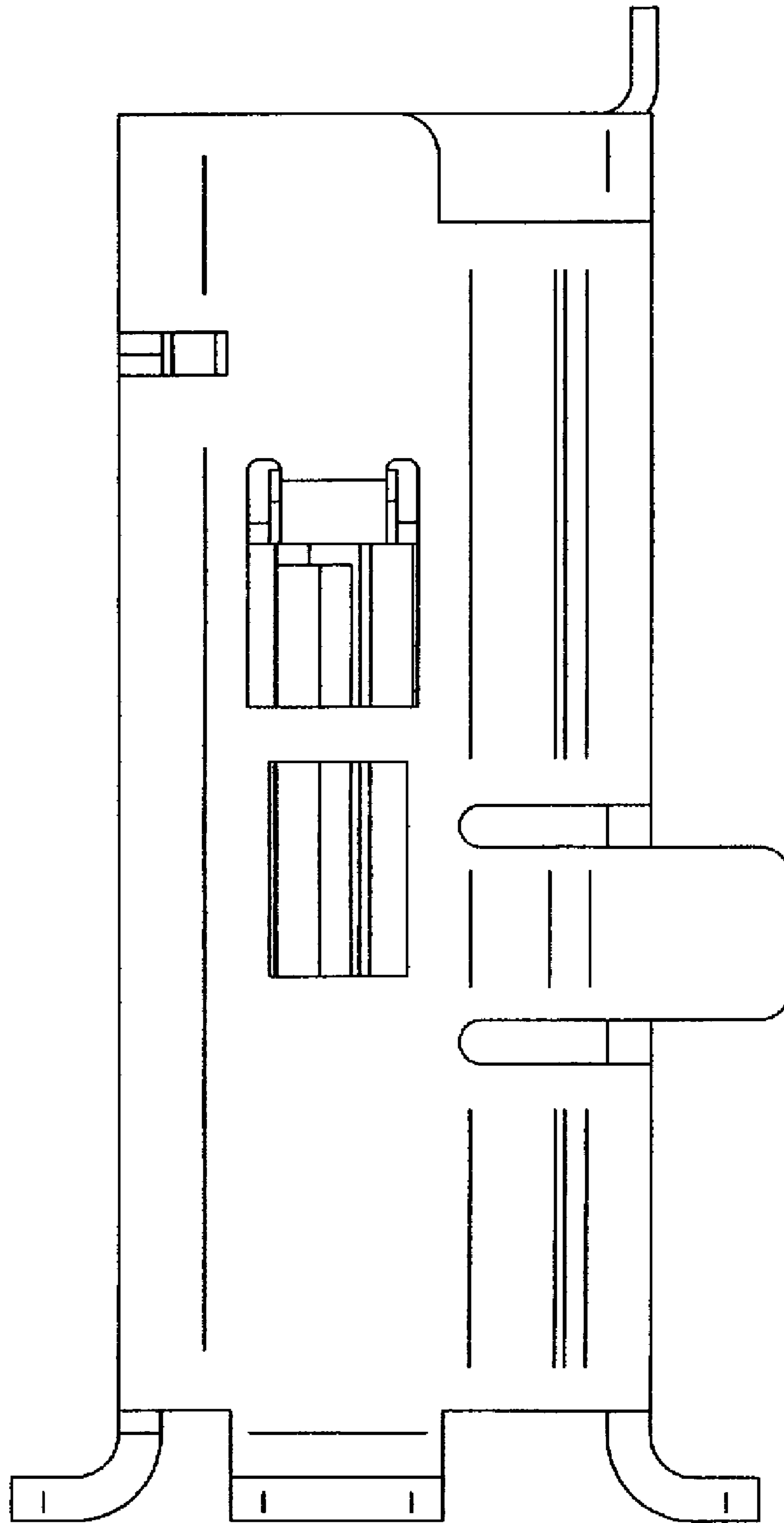
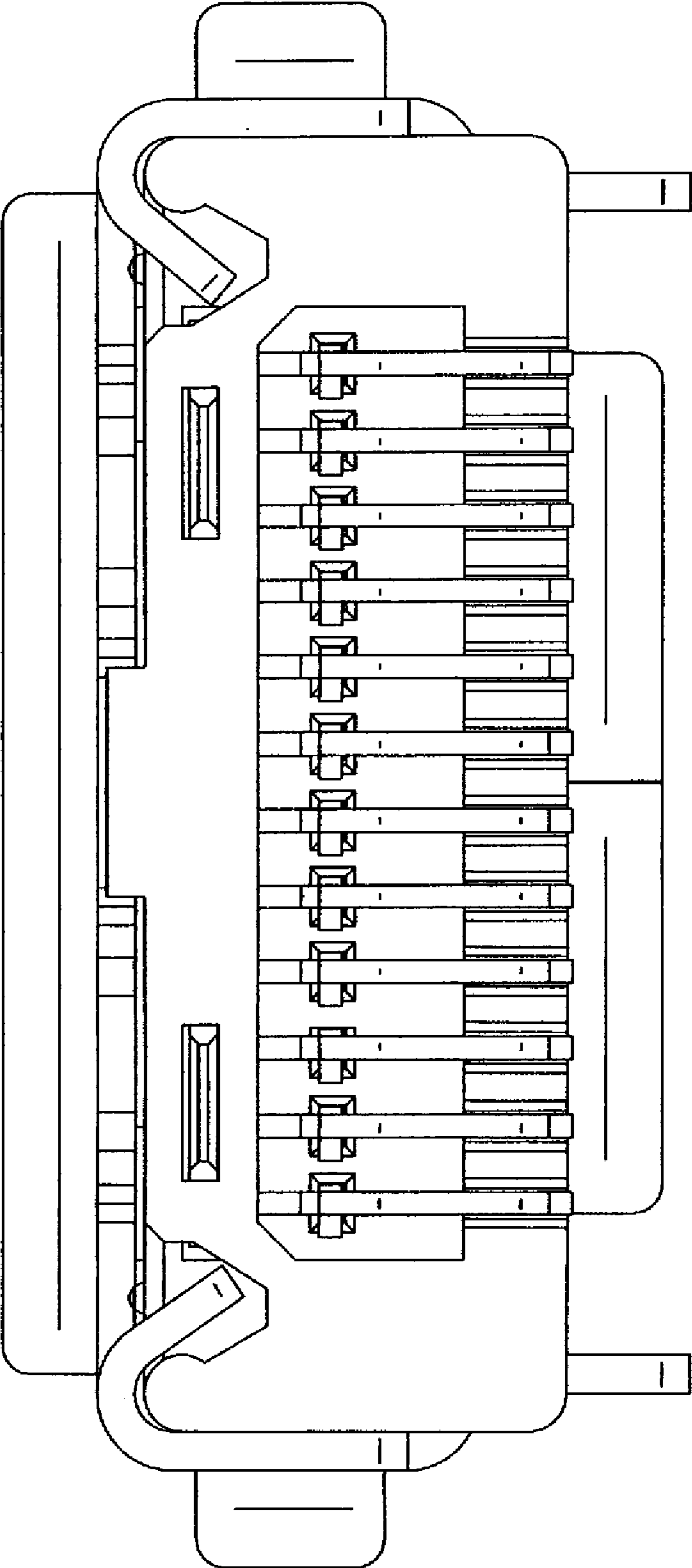


Fig. 4



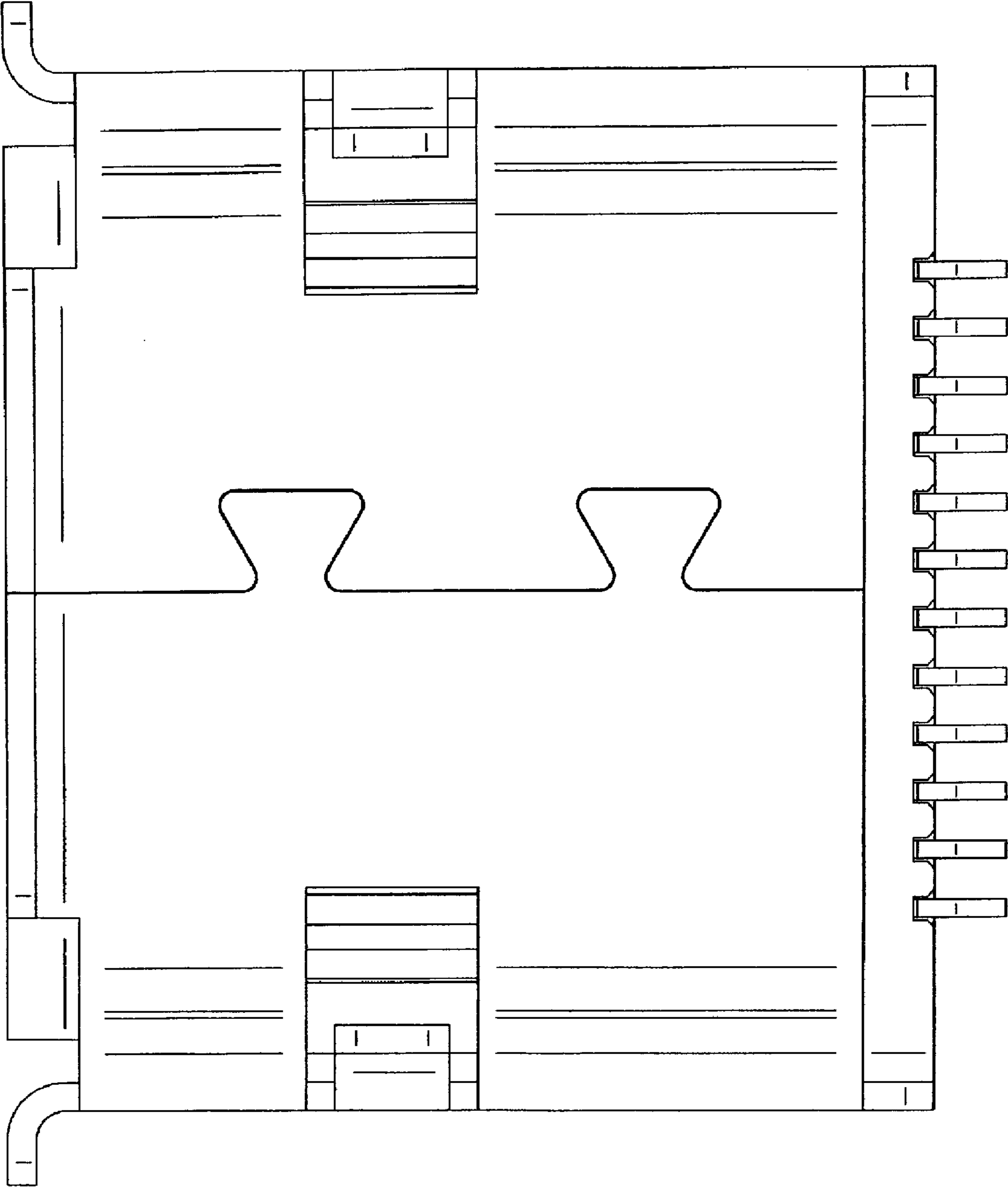


Fig. 5

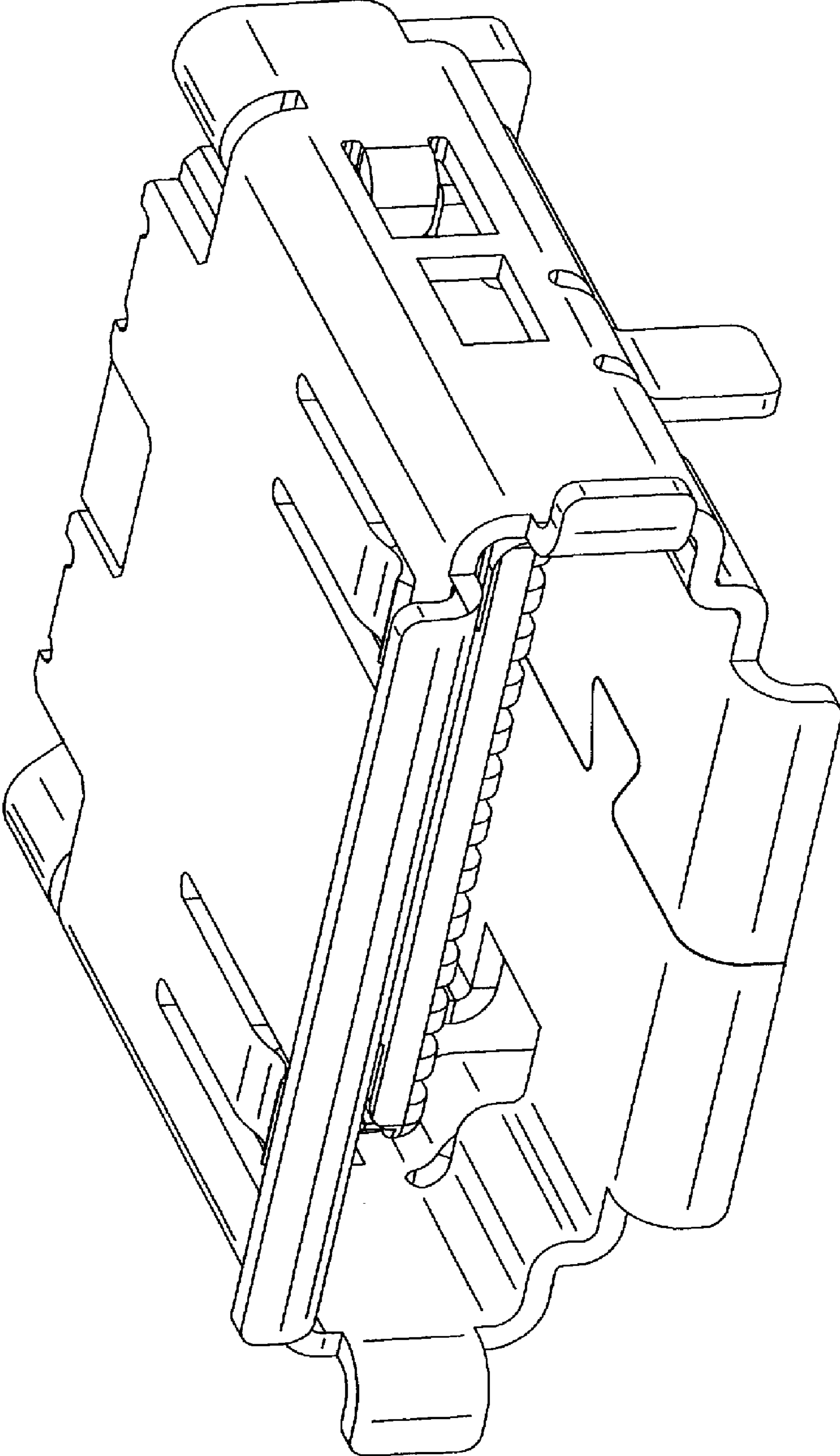


Fig. 6

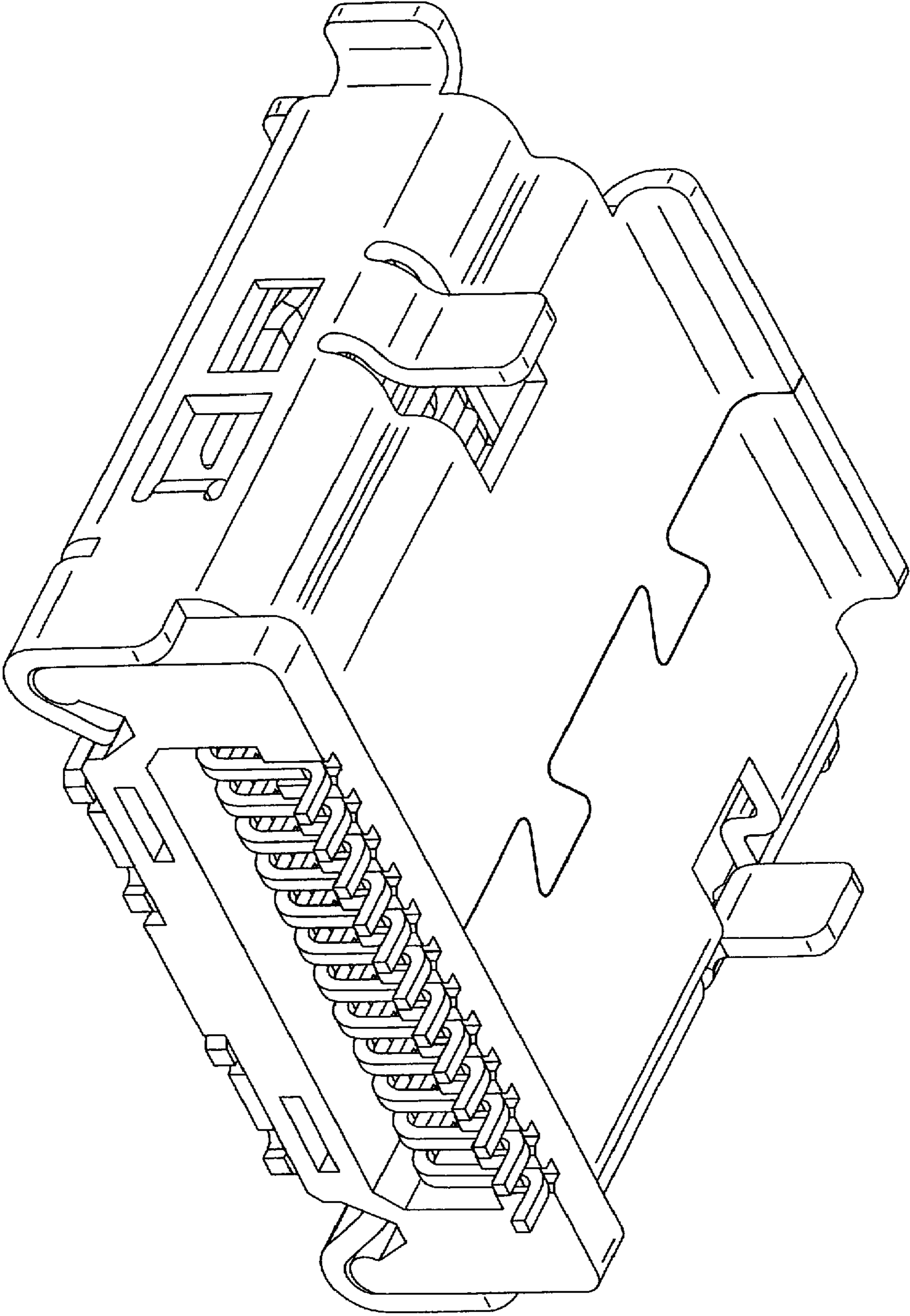


Fig. 7



Fig. 8

