

US00D569344S

(12) **United States Design Patent**
Kawasaki

(10) **Patent No.:** **US D569,344 S**

(45) **Date of Patent:** **** May 20, 2008**

(54) **CONNECTOR FOR LIGHT SOURCE
CONVERSION**

2002/0146208 A1* 10/2002 Nakura et al. 385/53
2006/0093285 A1* 5/2006 Park 385/92
2007/0015416 A1* 1/2007 Gutierrez et al. 439/676

(75) Inventor: **Tomokazu Kawasaki**, Tokyo (JP)

* cited by examiner

(73) Assignee: **Nippon Dics Co., Ltd.**, Tokyo (JP)

Primary Examiner—Daniel Bui
(74) *Attorney, Agent, or Firm*—Westerman, Hattori, Daniels
& Adrian, LLP.

(**) Term: **14 Years**

(21) Appl. No.: **29/242,213**

(22) Filed: **Nov. 8, 2005**

(57) **CLAIM**

(30) **Foreign Application Priority Data**

May 16, 2005 (JP) 2005-016970

The ornamental design for a connector for light source conversion, as shown and described.

(51) **LOC (8) Cl.** **13-03**

(52) **U.S. Cl.** **D13/135**; D13/134; D13/146

(58) **Field of Classification Search** D13/101,
D13/133–136, 146, 154, 184, 199; D26/113;
313/318.01, 318.05, 318.12; 362/581; 385/76,
385/92, 88–89, 139; 439/236, 280, 660,
439/676

DESCRIPTION

See application file for complete search history.

FIG. 1 is a front elevation view of the connector for light source conversion showing my new design;

FIG. 2 is a rear elevation view thereof;

FIG. 3 is a left side elevation view thereof;

FIG. 4 is a right side elevation view thereof;

FIG. 5 is a top view thereof;

FIG. 6 is a bottom plan view thereof;

FIG. 7 is a cross sectional plan view taken along line A—A of FIG. 1; and,

FIG. 8 is a front, top and right side perspective view thereof.

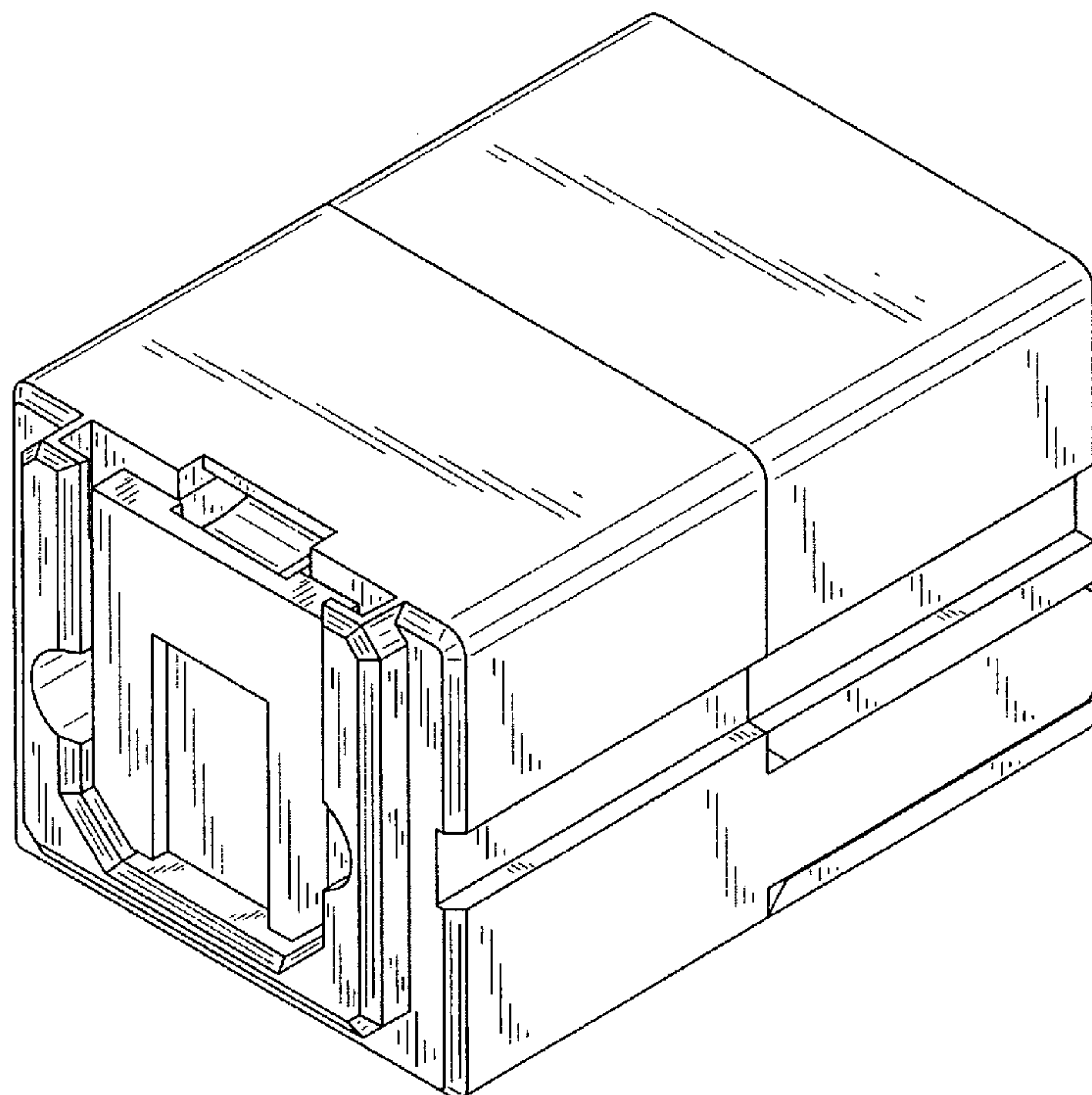
The broken line showing of the environment is for illustrative purposes only and forms no part of the claimed design.

(56) **References Cited**

U.S. PATENT DOCUMENTS

5,639,262 A * 6/1997 Lim 439/607
D454,333 S * 3/2002 Ikeda et al. D13/133
D461,769 S * 8/2002 Kuroda et al. D13/133
D478,563 S * 8/2003 Brown D14/188
6,739,765 B1 * 5/2004 Liu 385/92

1 Claim, 8 Drawing Sheets



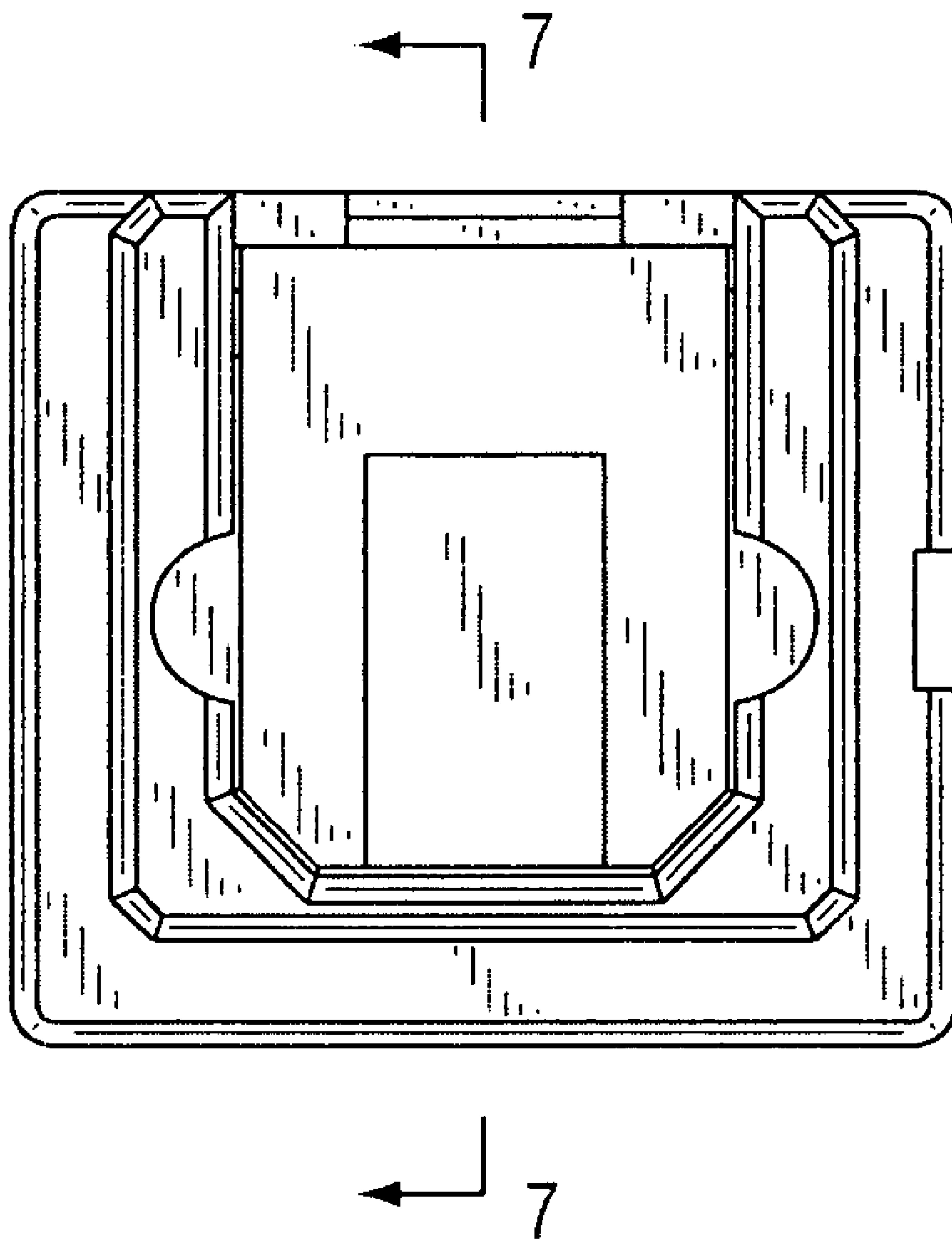


FIG. 1

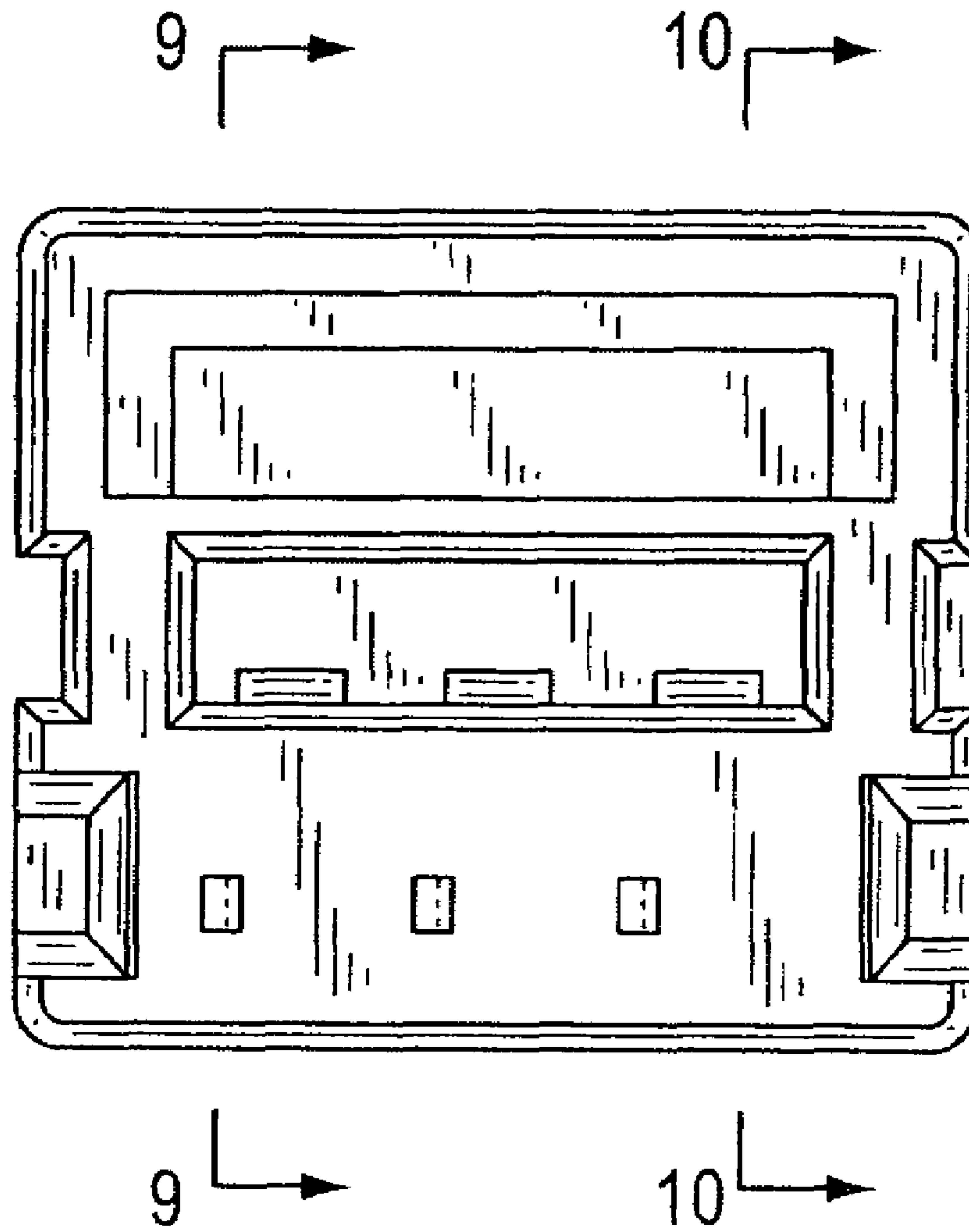


FIG. 2

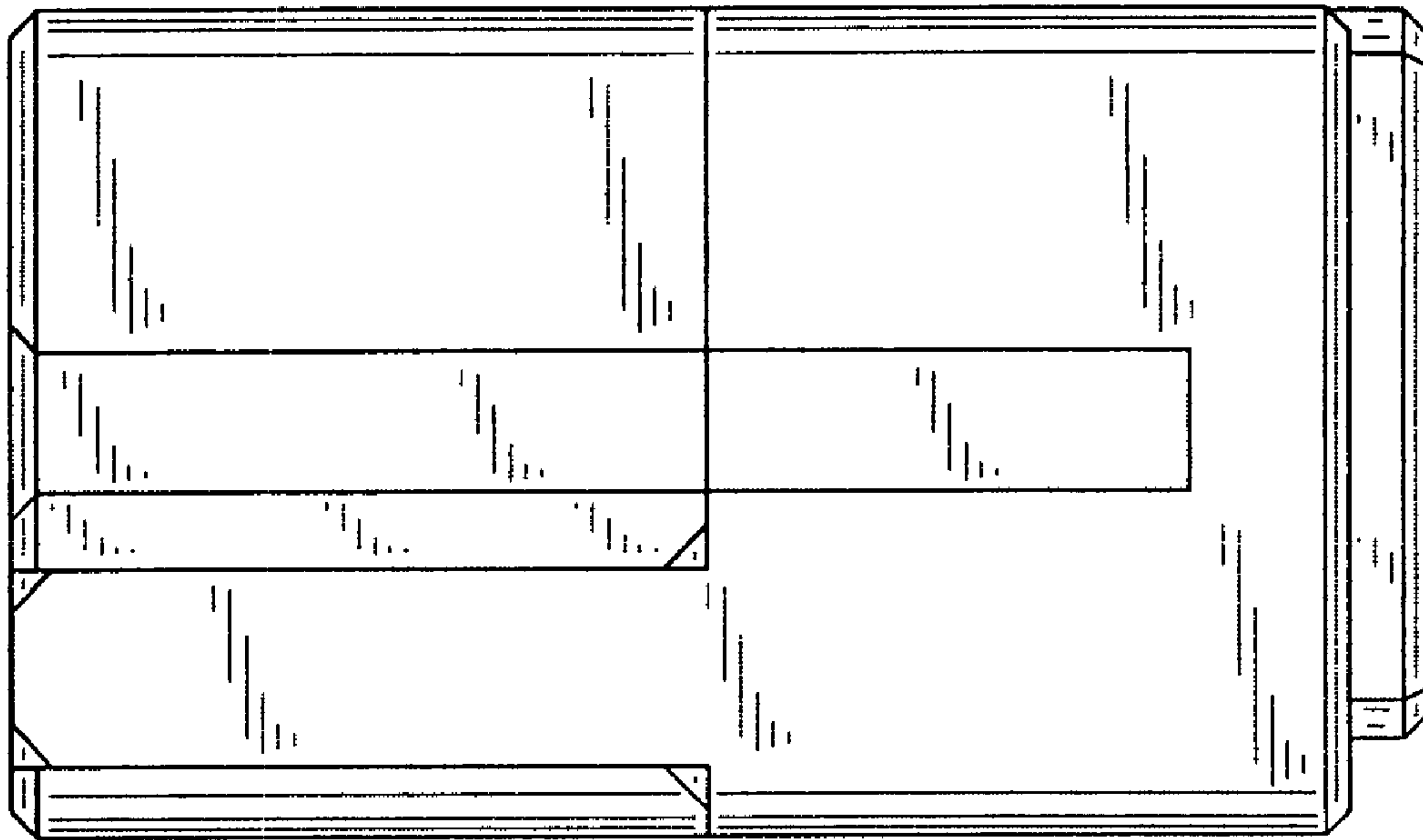


FIG.3

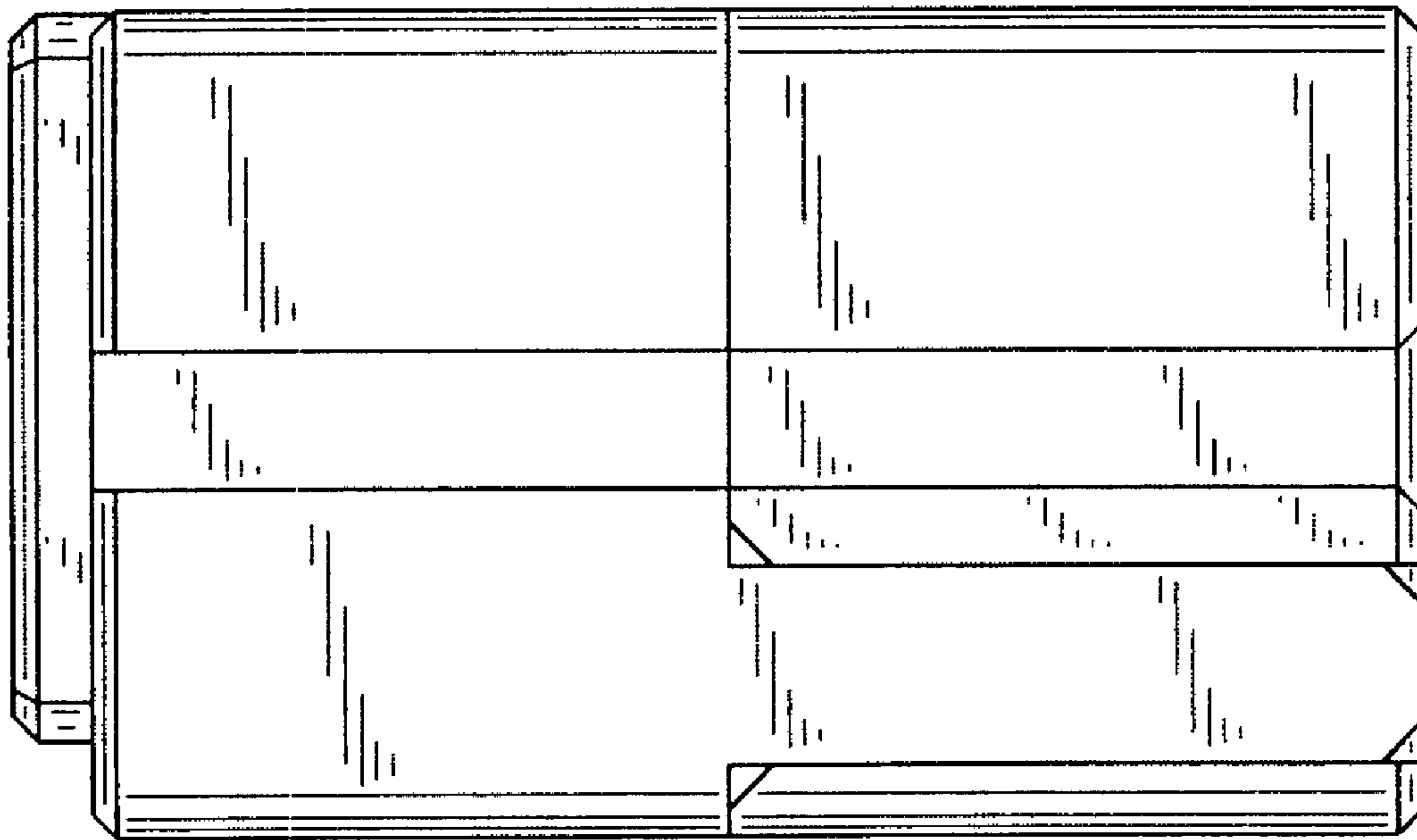


FIG.4

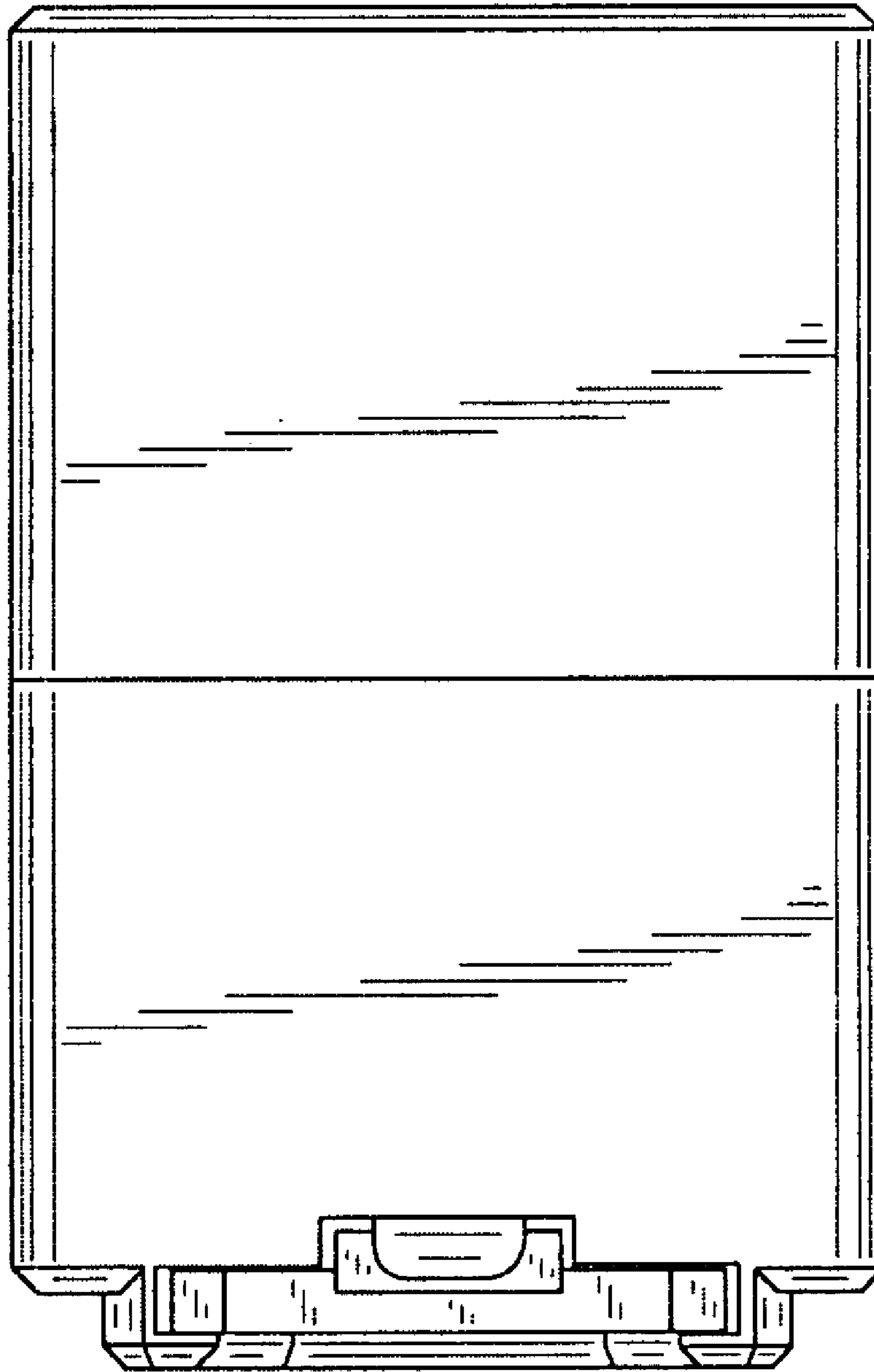


FIG. 5

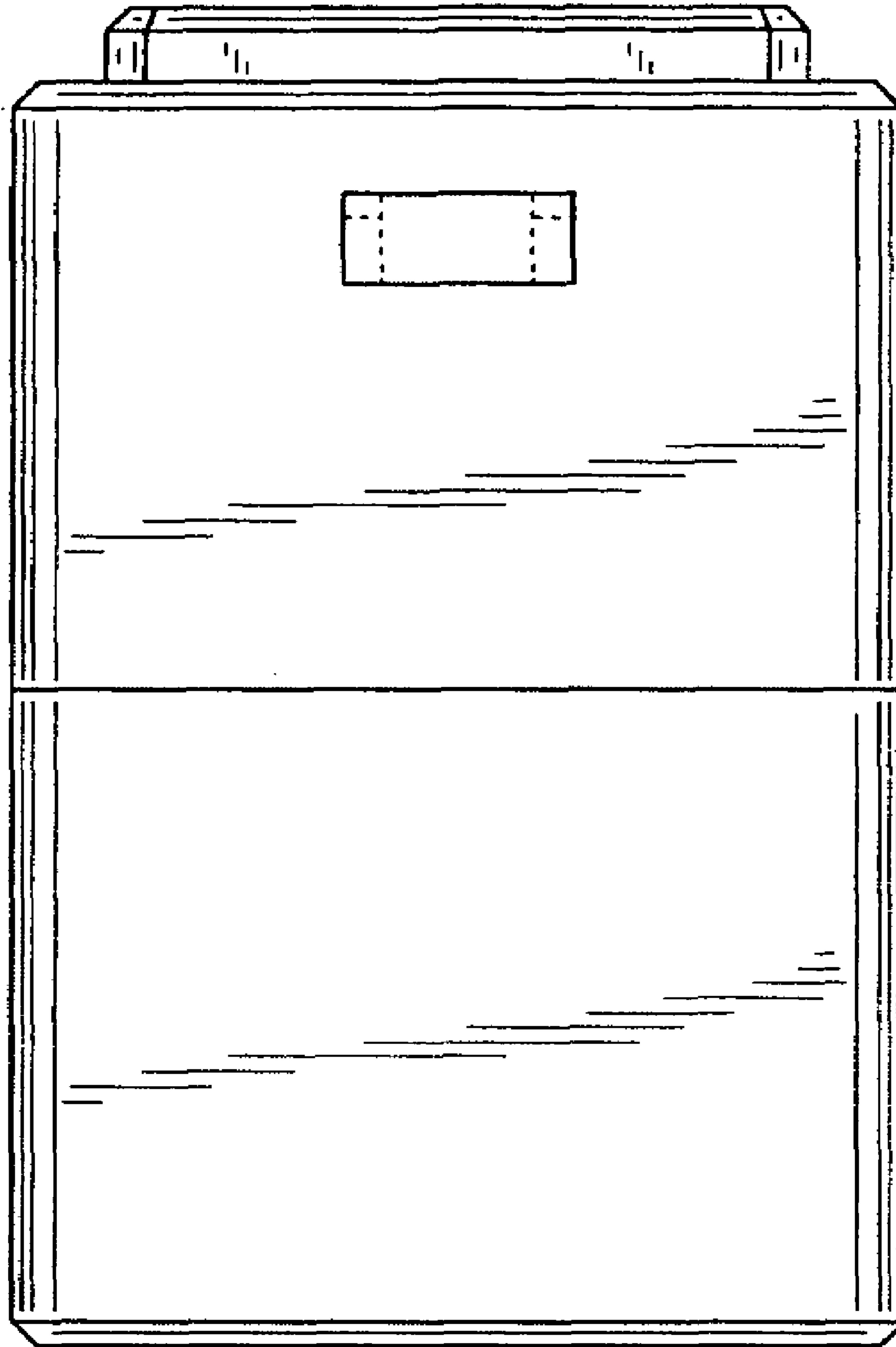


FIG. 6

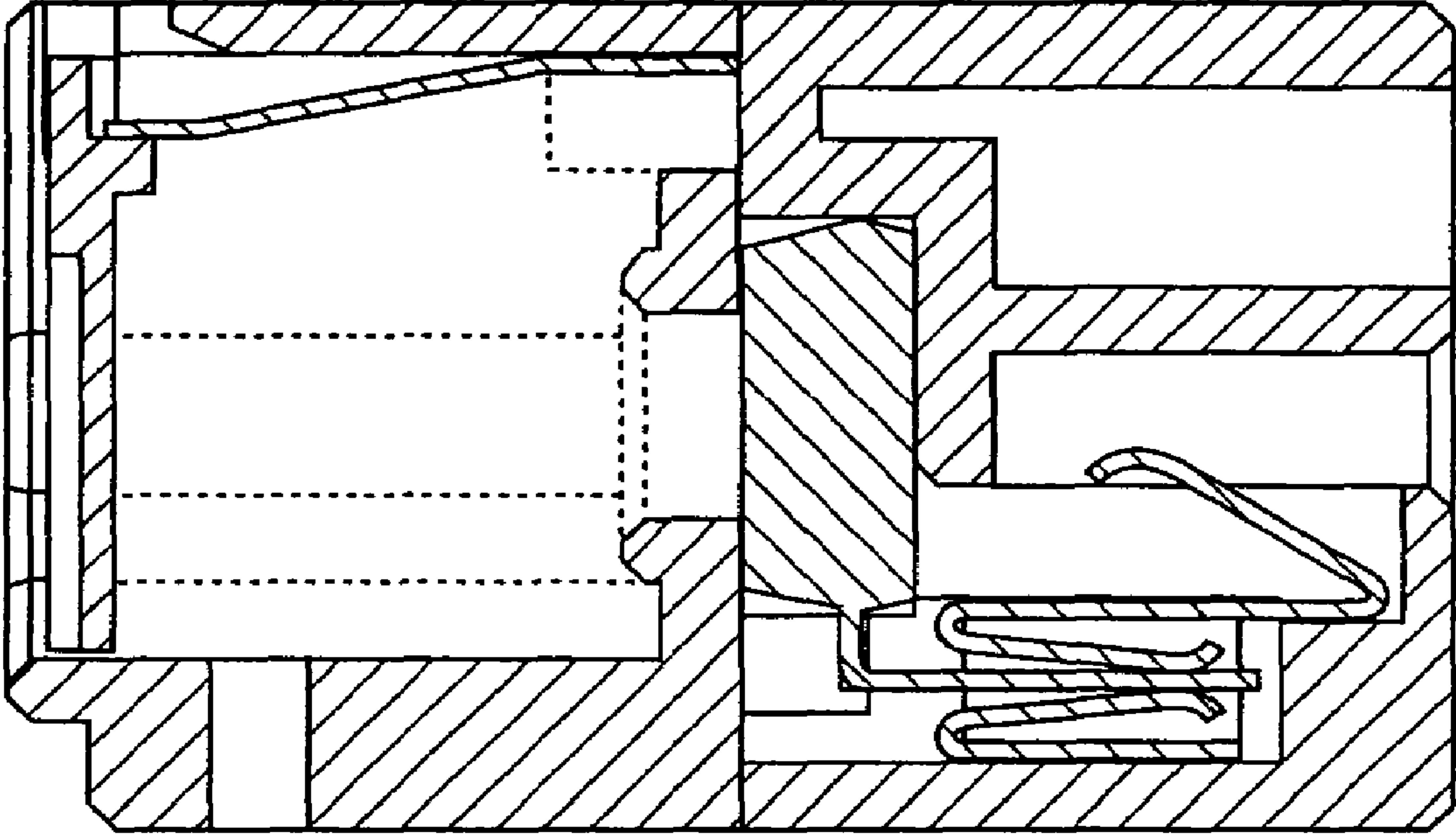


FIG.7

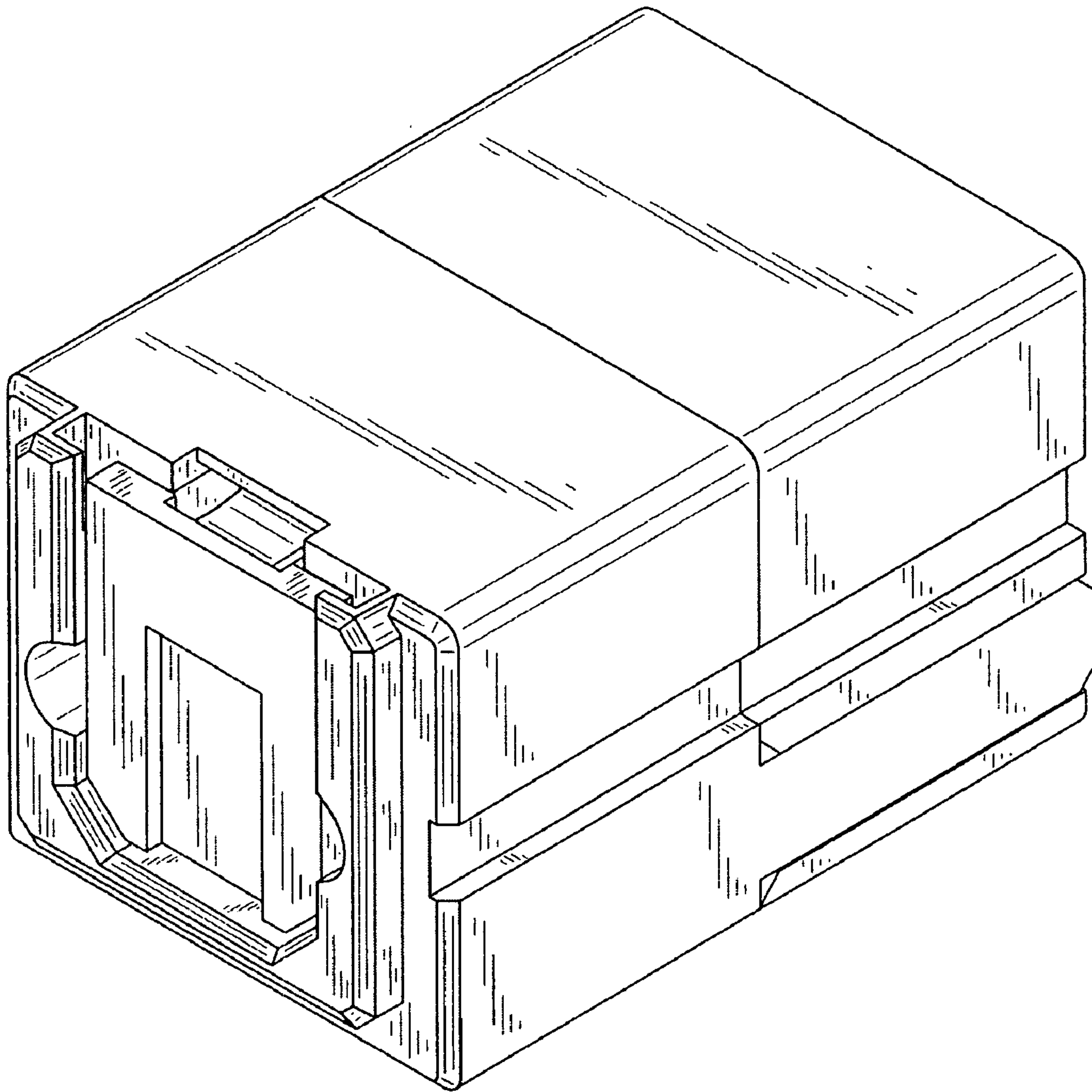


FIG.8