



US00D569343S

(12) **United States Design Patent**  
**Hung et al.**

(10) **Patent No.:** **US D569,343 S**  
(45) **Date of Patent:** **\*\* May 20, 2008**

(54) **TERMINAL CONNECTOR**

(75) Inventors: **Pei Chiao Hung**, Tu-Cheng (TW); **Mei Chuan Yang**, Tu-Cheng (TW); **Yun Chien Lee**, Tu-Cheng (TW)

(73) Assignee: **Cheng Uei Precision Industry Co., Ltd.**, Taipei Hsien (TW)

(\*\*) Term: **14 Years**

(21) Appl. No.: **29/274,648**

(22) Filed: **May 11, 2007**

(51) **LOC (8) Cl.** ..... **13-03**

(52) **U.S. Cl.** ..... **D13/133; D13/154**

(58) **Field of Classification Search** ..... D13/133,  
D13/146-147, 154, 184, 199; 439/607-610,  
439/849-850, 870, 877, 884-885, 887-891  
See application file for complete search history.

(56) **References Cited**

**U.S. PATENT DOCUMENTS**

- 4,801,275 A \* 1/1989 Ikeda et al. .... 439/350
- 6,053,776 A \* 4/2000 Bricaud et al. .... 439/630
- D434,375 S \* 11/2000 Kawamoto ..... D13/133
- 6,685,512 B2 \* 2/2004 Ooya ..... 439/630

- 6,821,163 B2 \* 11/2004 McHugh et al. .... 439/733.1
- D553,082 S \* 10/2007 Peng ..... D13/133
- 2002/0098746 A1 \* 7/2002 Costa ..... 439/885

\* cited by examiner

*Primary Examiner*—Daniel Bui

(74) *Attorney, Agent, or Firm*—Rosenberg, Klein & Lee

(57) **CLAIM**

The ornamental design for a terminal of connector, as shown and described.

**DESCRIPTION**

FIG. 1 is a perspective view of a terminal of connector showing our new design;

FIG. 2 is a front elevational view thereof;

FIG. 3 is a rear elevational view thereof;

FIG. 4 is a left side elevational view thereof;

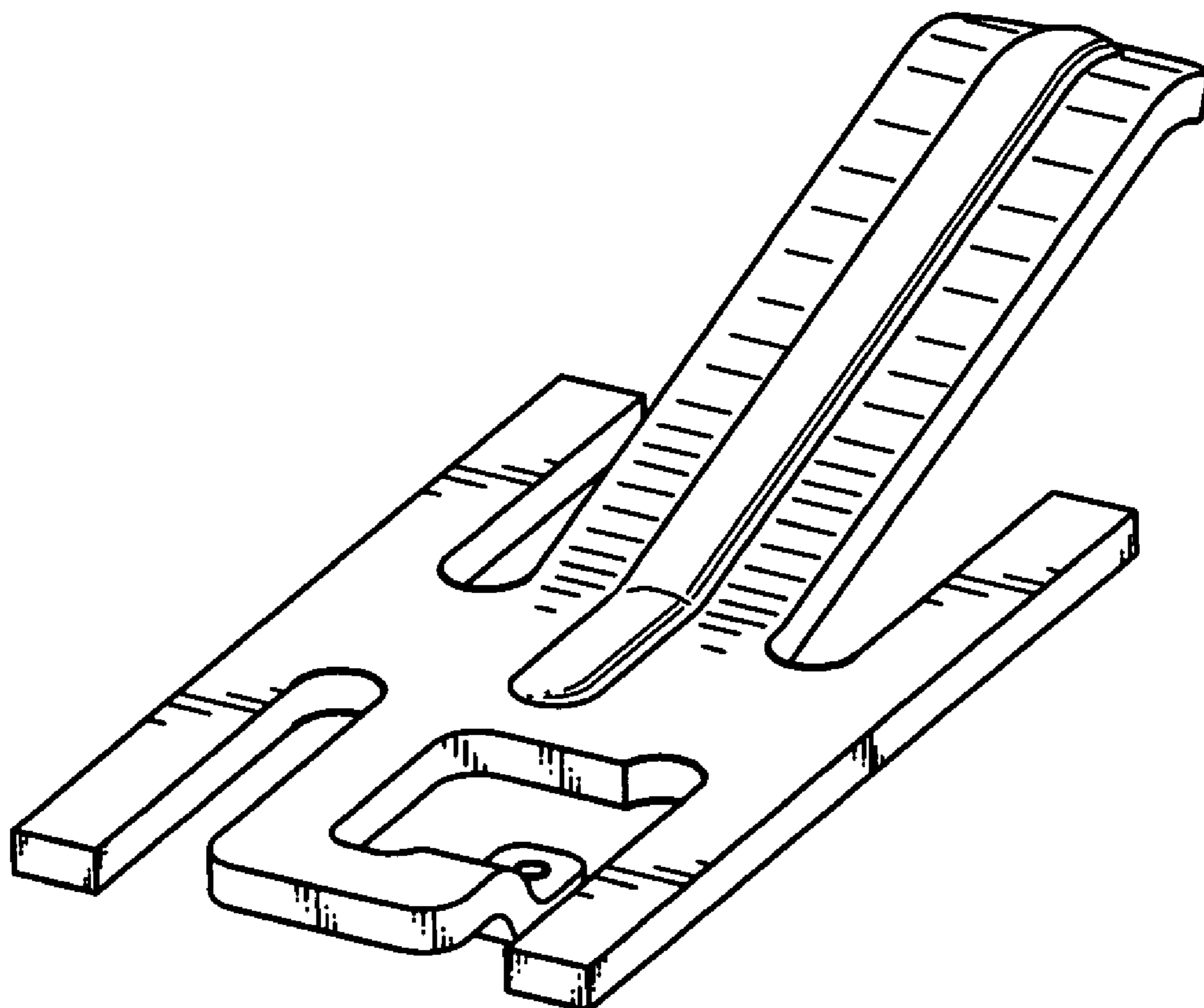
FIG. 5 is a right side elevational view thereof;

FIG. 6 is a top plan view thereof;

FIG. 7 is a bottom plan view thereof; and,

FIG. 8 is a cross-sectional view take along a line A—A of the FIG. 6.

**1 Claim, 8 Drawing Sheets**



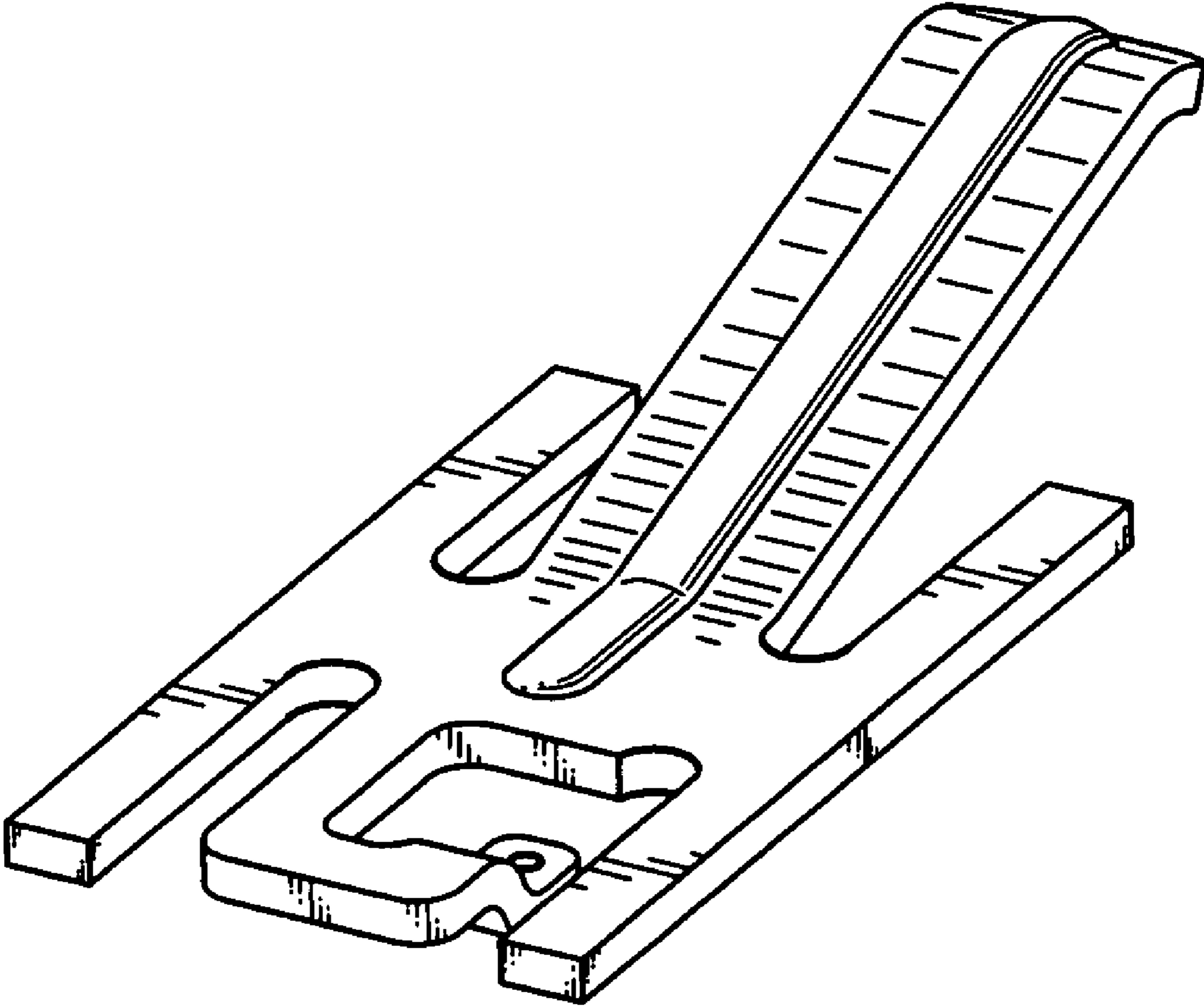


FIG. 1

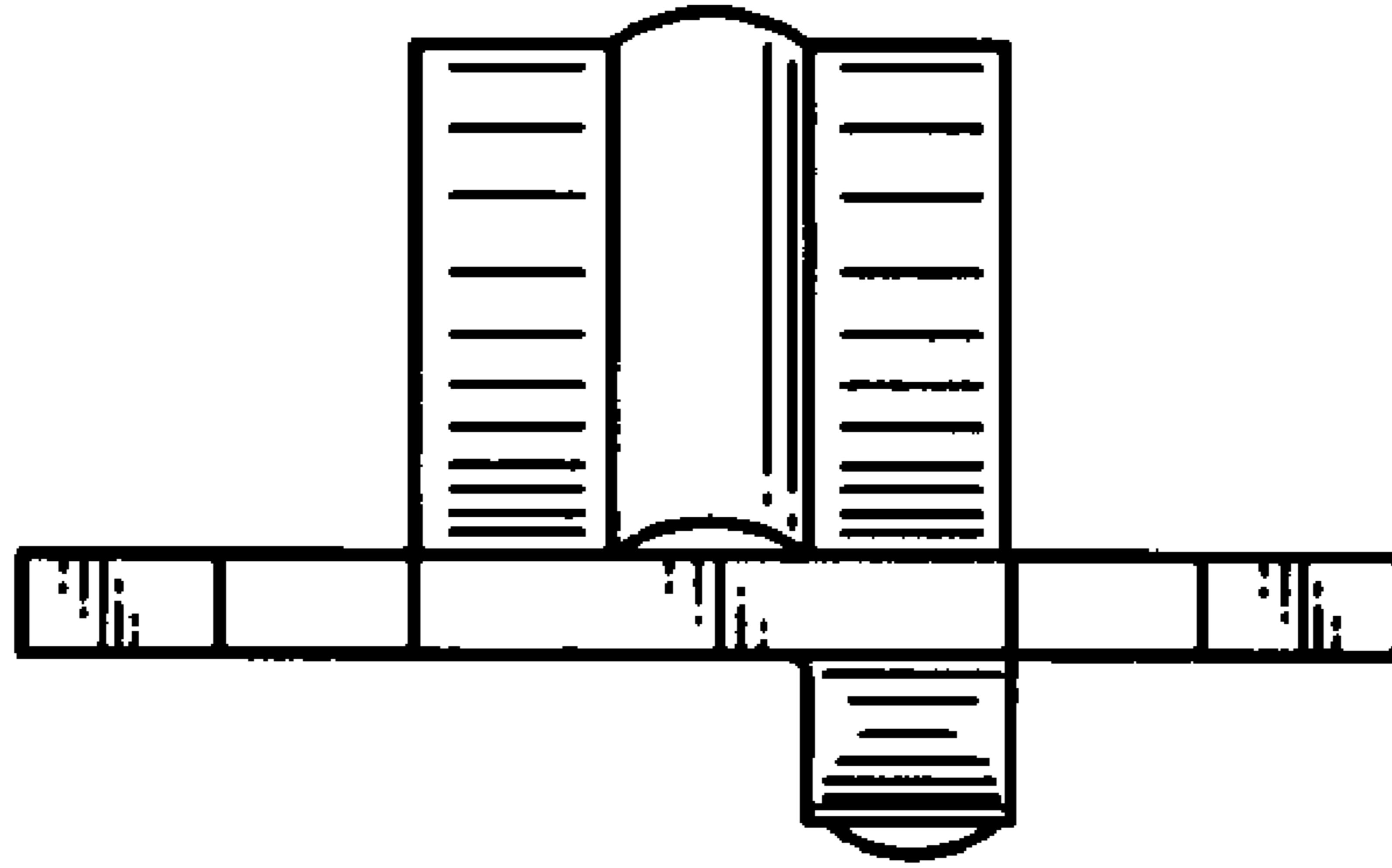


FIG. 2

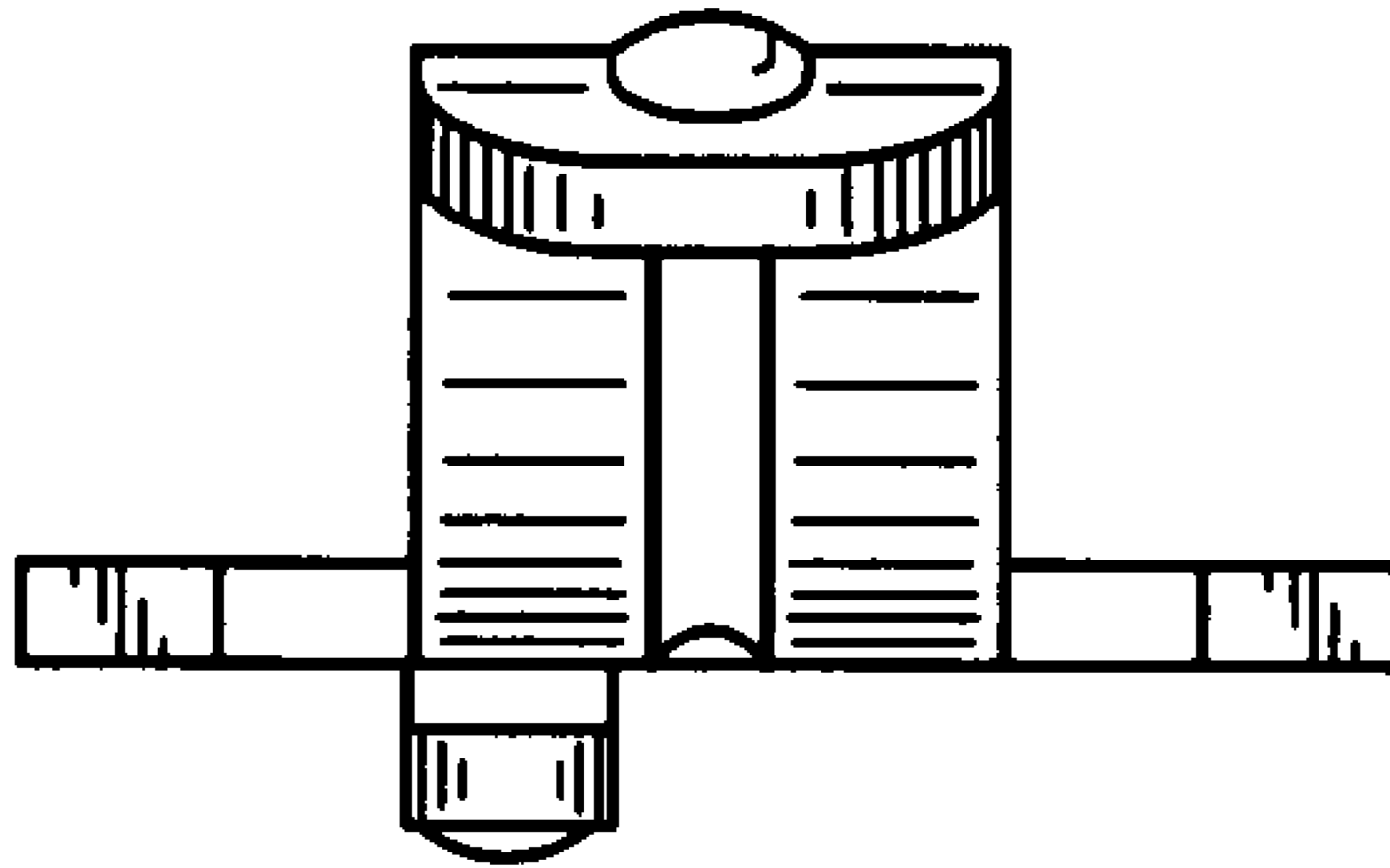


FIG. 3

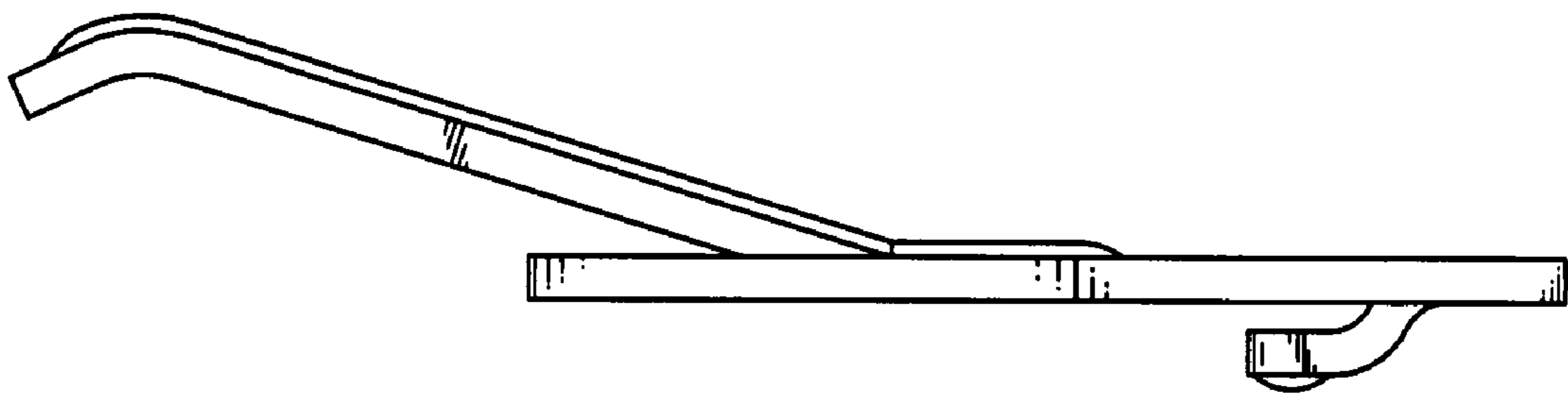


FIG. 4

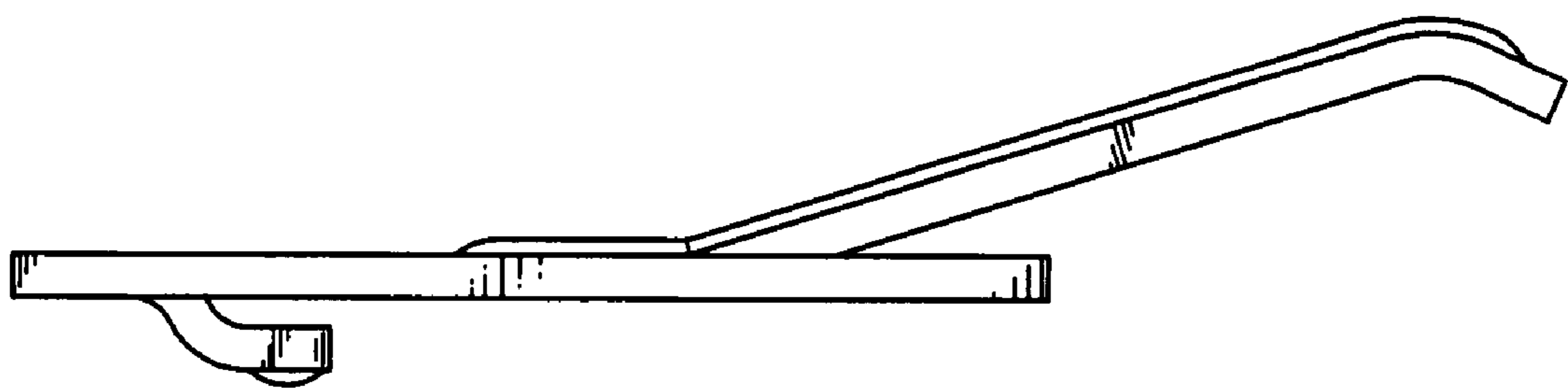


FIG. 5

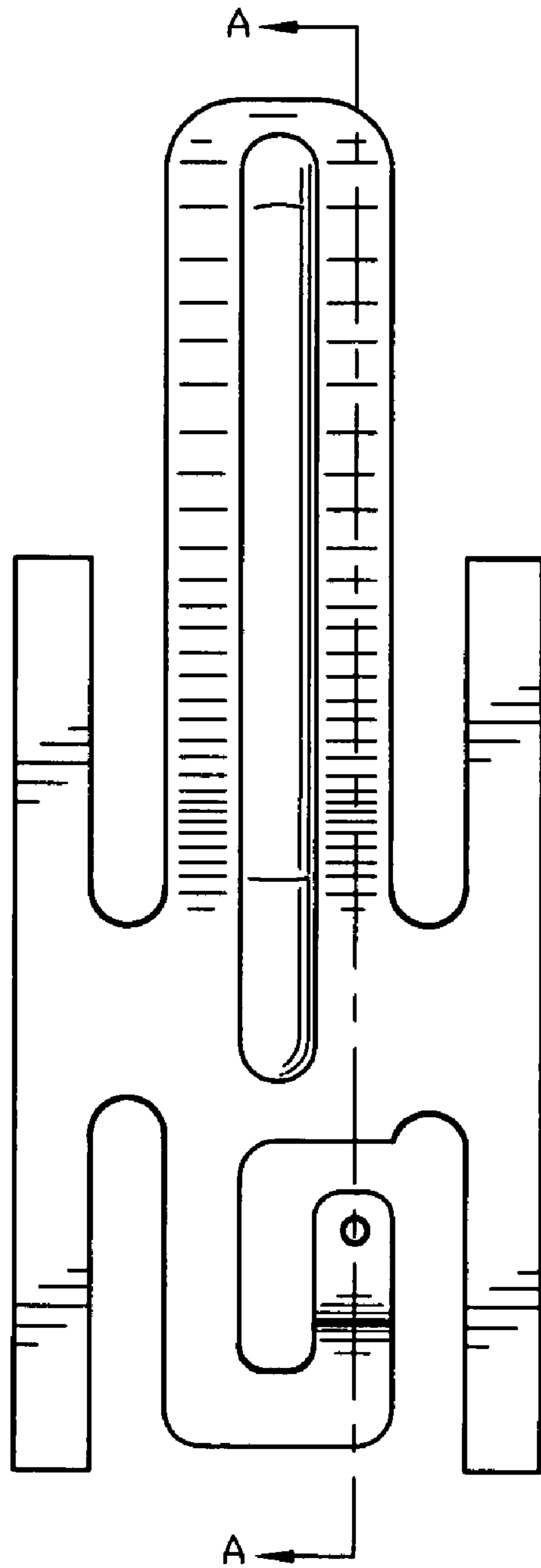


FIG. 6

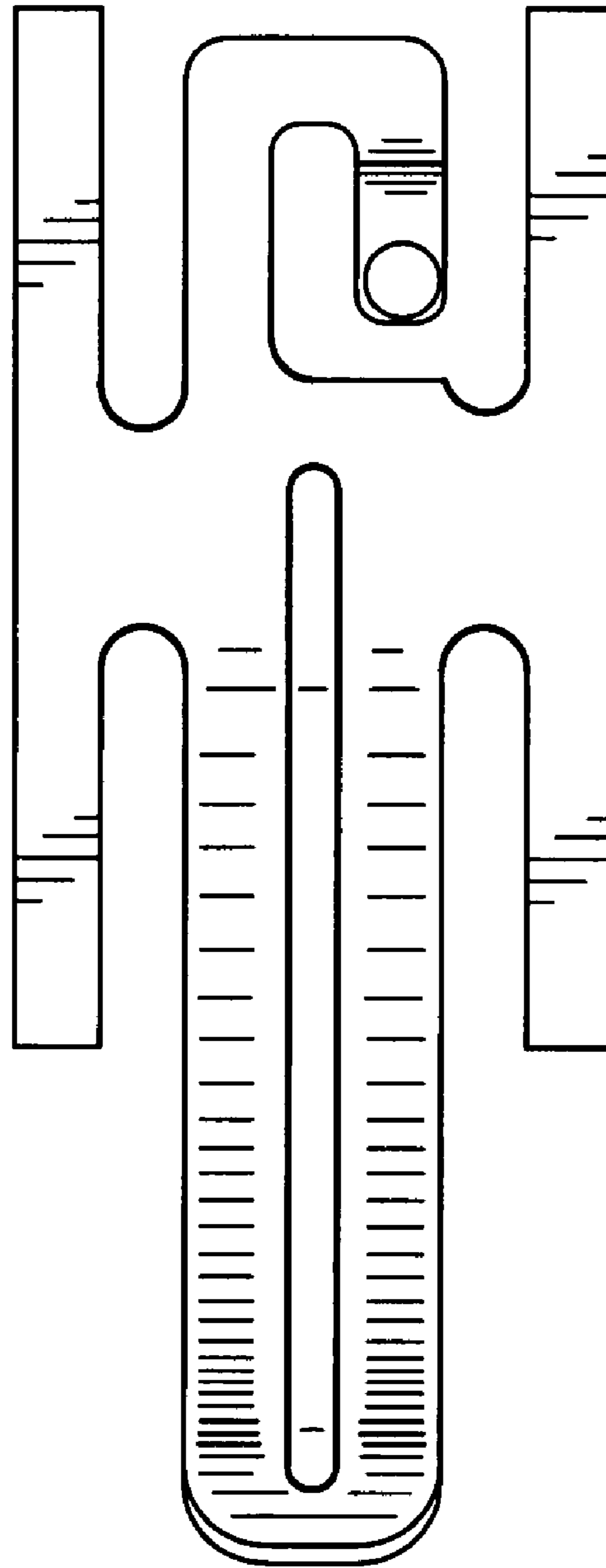


FIG. 7



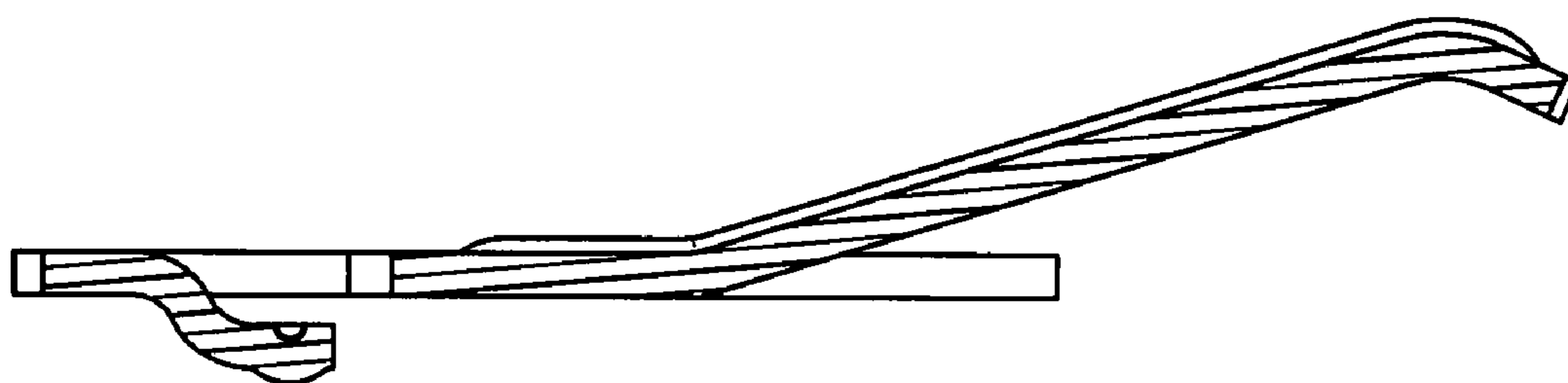


FIG. 8