



US00D569333S

(12) **United States Design Patent**  
**Hartford**

(10) **Patent No.:** **US D569,333 S**

(45) **Date of Patent:** **\*\* May 20, 2008**

(54) **GOLF CART TOP AND FRAME**

(75) Inventor: **Curtis Wayne Hartford**, Maryville, TN (US)

(73) Assignee: **Wayne Hartford**, Maryville, TN (US)

(\*\*) Term: **14 Years**

(21) Appl. No.: **29/299,858**

(22) Filed: **Jan. 4, 2008**

(51) **LOC (8) Cl.** ..... **12-16**

(52) **U.S. Cl.** ..... **D12/401; D12/16**

(58) **Field of Classification Search** ..... D12/401, D12/403-404, 16; D25/26; D15/33; 296/100.14-100.16, 296/145, 79-80, 210, 216.1, 102, 78.1, 77.1, 296/225; 280/DIG. 5-DIG. 6; 180/233, 180/908, 65.1; 135/88.05, 88.09, 88.01

See application file for complete search history.

(56) **References Cited**

**U.S. PATENT DOCUMENTS**

- 4,621,859 A \* 11/1986 Spicher ..... 296/77.1
- 4,846,524 A \* 7/1989 Gerber ..... 135/88.09
- 4,950,017 A \* 8/1990 Norton ..... 296/77.1
- D394,637 S \* 5/1998 Camiano ..... D12/401
- D413,283 S \* 8/1999 Stepp et al. .... D12/16
- D431,018 S \* 9/2000 Maypole ..... D12/401

- 6,402,220 B2 \* 6/2002 Allen ..... 296/77.1
- D498,704 S \* 11/2004 Bonner et al. .... D12/16
- D520,937 S \* 5/2006 Eisenhower ..... D12/401
- D549,639 S \* 8/2007 Tuo ..... D12/401
- D554,574 S \* 11/2007 Hanson et al. .... D12/401

\* cited by examiner

*Primary Examiner*—Stacia Cadmus

(57) **CLAIM**

The ornamental design for a golf cart top and frame, as shown and described.

**DESCRIPTION**

FIG. 1 is a perspective view of a golf cart top and frame, showing my new design;

FIG. 2 is a front elevational view of the invention;

FIG. 3 is a rear elevational view of the invention;

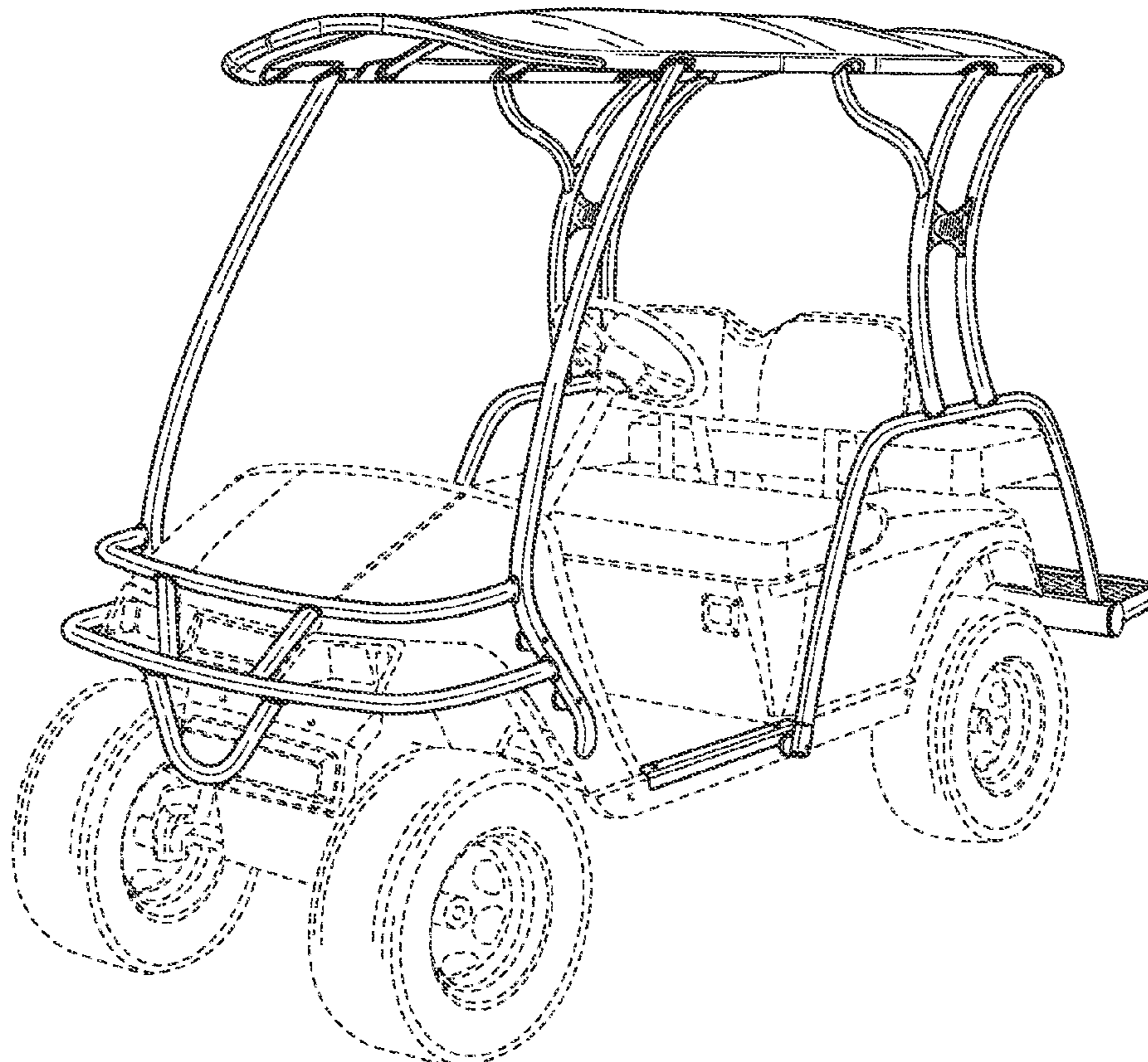
FIG. 4 is a left-side elevational view of the invention, the right-side elevational view being a mirror image thereof;

FIG. 5 is a top plan view of the invention; and,

FIG. 6 is a bottom plan view of the invention.

The broken lines showing a golf cart in FIG. 1 are included for the purpose of illustrating the invention in use, and form no part of the claimed design.

**1 Claim, 2 Drawing Sheets**



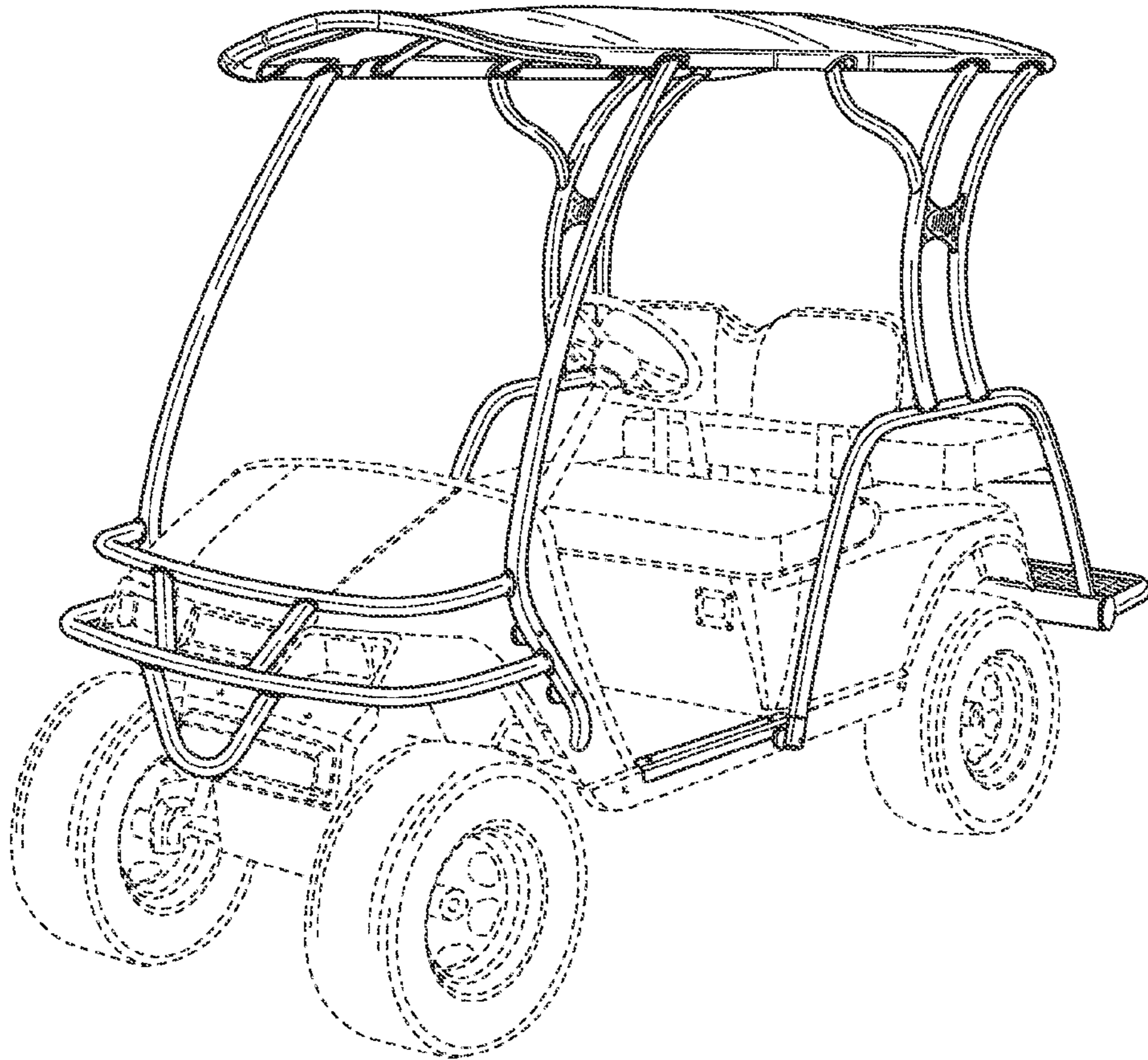


FIG. 1

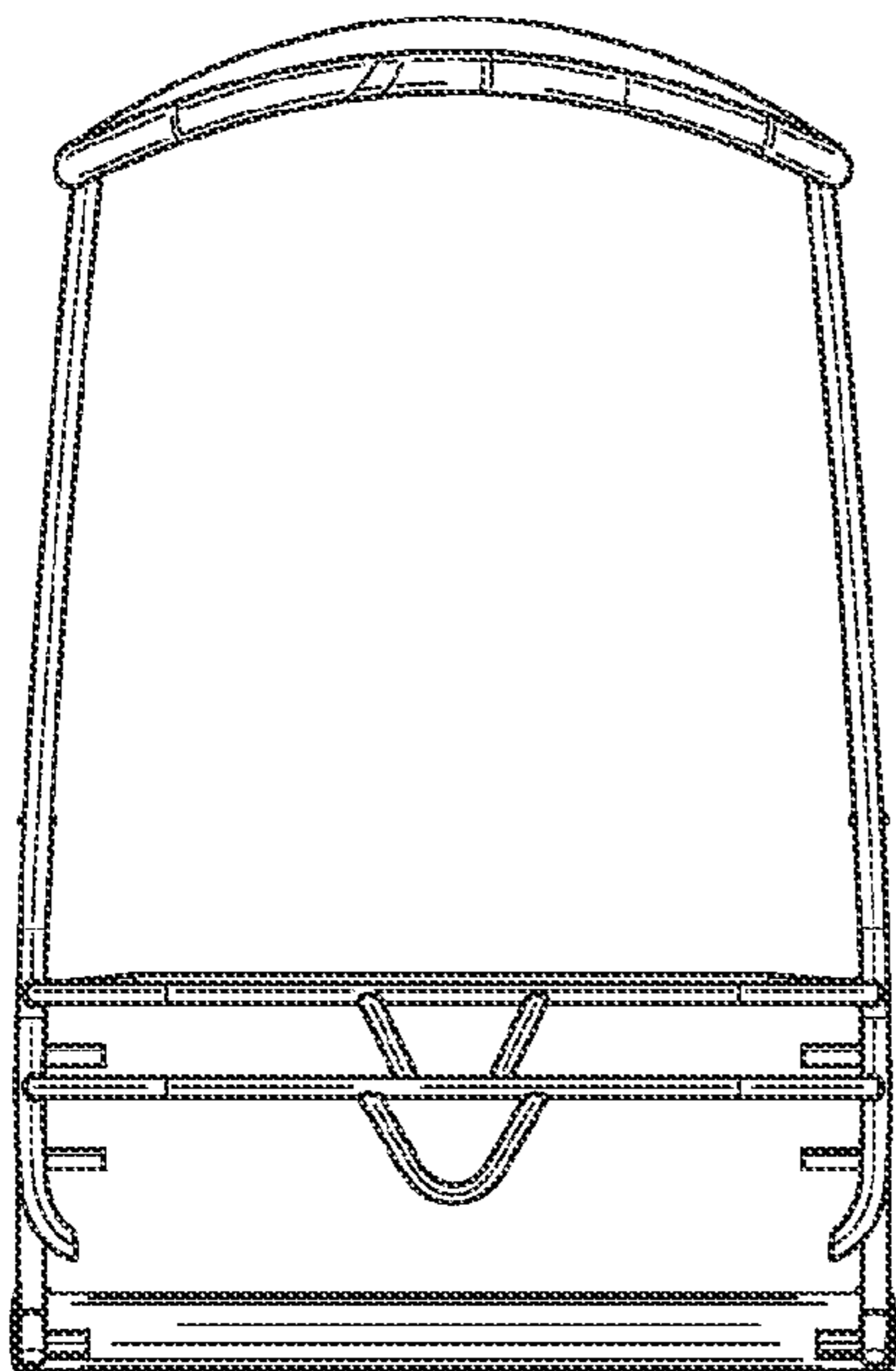


FIG. 2

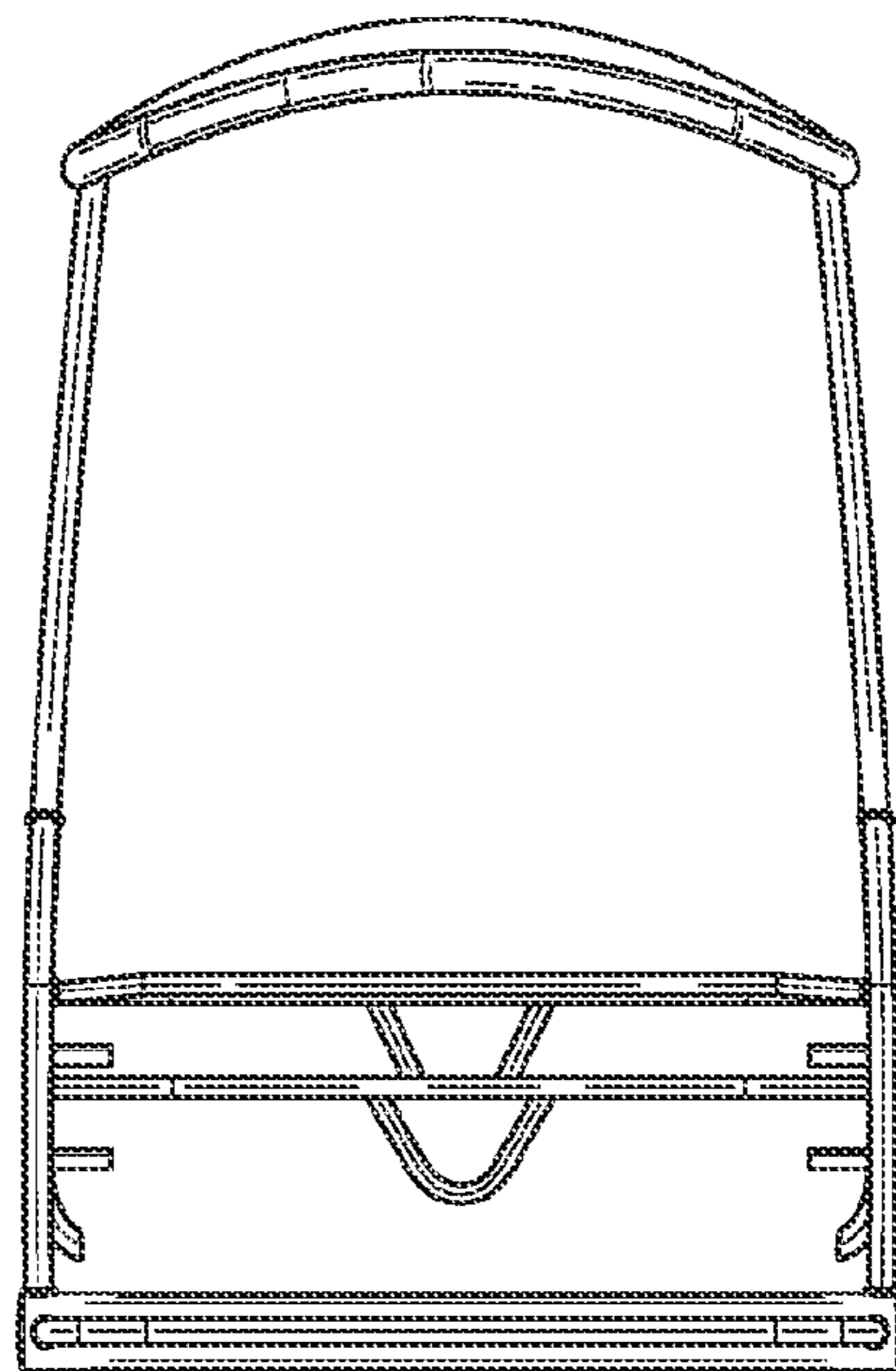


FIG. 3

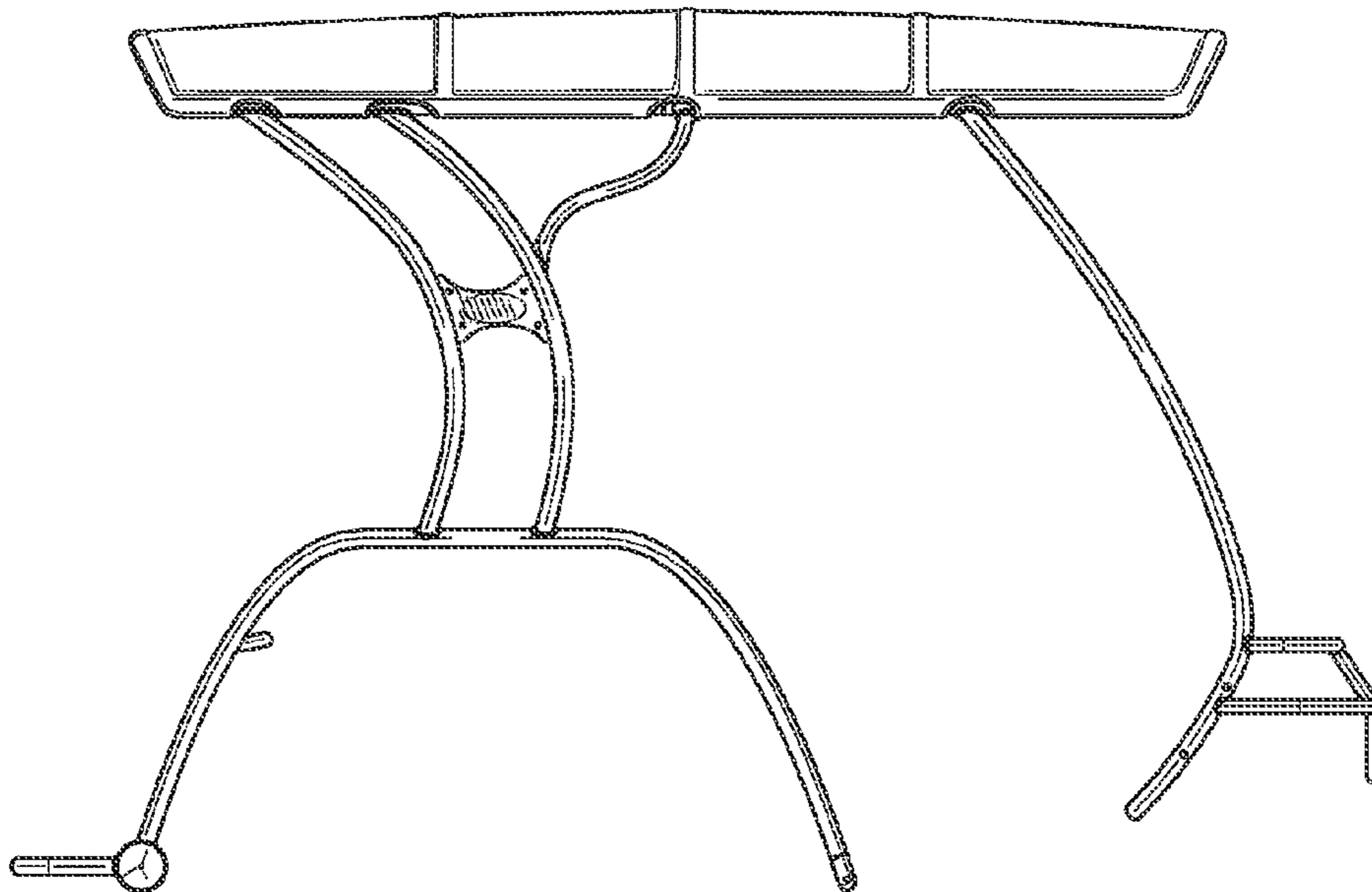


FIG. 4

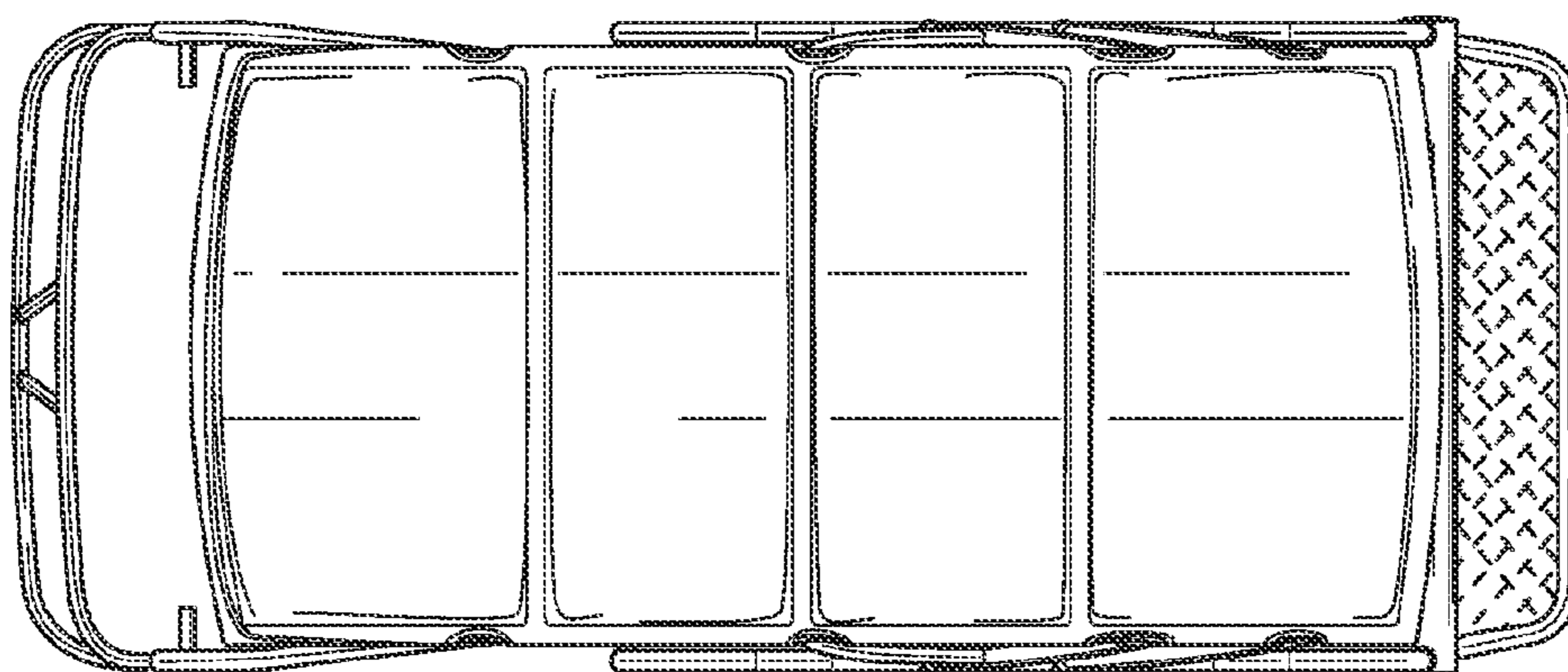


FIG. 5

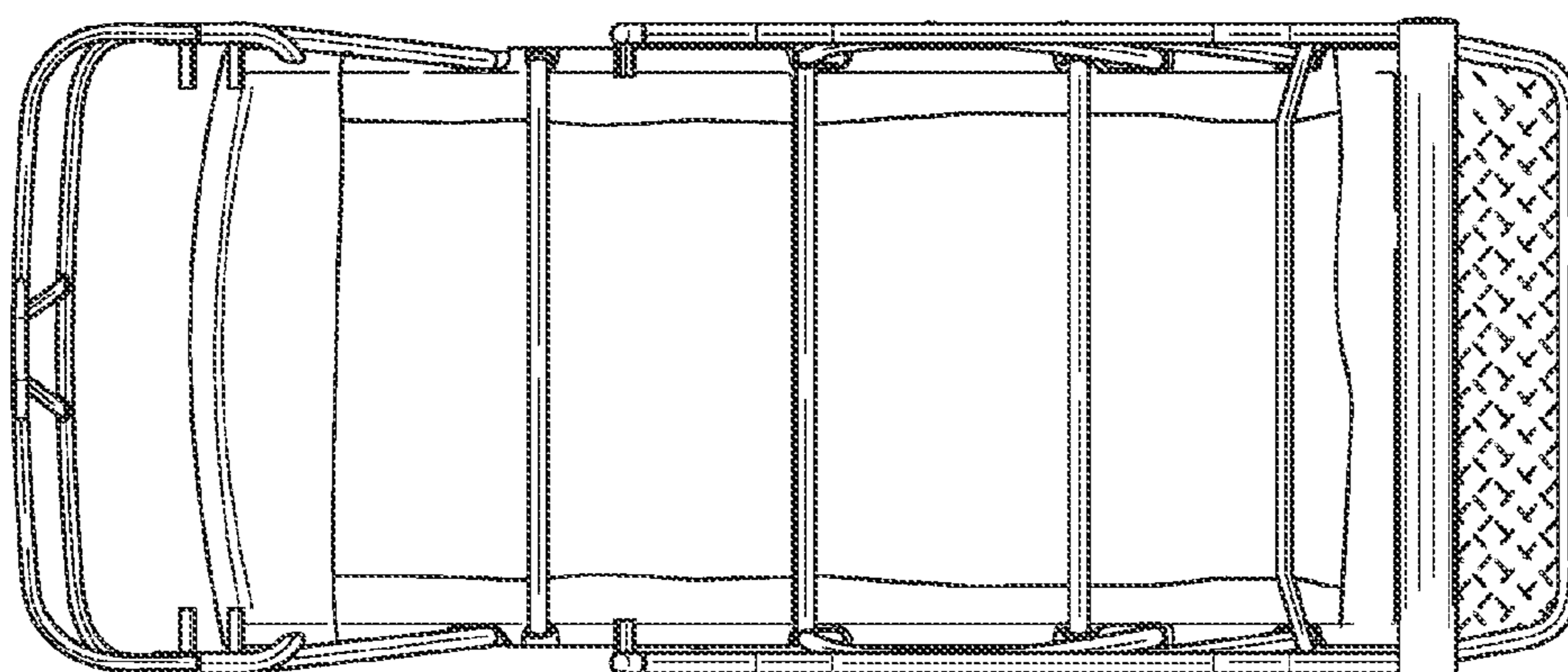


FIG. 6