

US00D569332S

(12) **United States Design Patent**  
**Brunner**

(10) **Patent No.:** **US D569,332 S**

(45) **Date of Patent:** **\*\* May 20, 2008**

(54) **CIRCULAR WING FLYING SAUCER**

(75) Inventor: **Ashton Frank Brunner**, Bush, LA  
(US)

(73) Assignee: **Von Brunner & Franzella Patents**  
**Vault No. 1, L.L.C.**, New Orleans, LA  
(US)

(\*\*) Term: **14 Years**

(21) Appl. No.: **29/279,251**

(22) Filed: **Apr. 24, 2007**

4,778,128 A	10/1988	Wright et al.	
D317,335 S	6/1991	Lovik	
D346,626 S *	5/1994	St. Lawrence	..... D21/443
5,591,062 A	1/1997	Hettinger	
D392,696 S	3/1998	Johnson	
D394,040 S	5/1998	O'Neal et al.	
D430,530 S	9/2000	Milde, Jr.	
D471,507 S	3/2003	Brunner	
D484,452 S	12/2003	Brunner	
D487,048 S	2/2004	Brunner	
7,096,826 B2	8/2006	Markham	
D541,206 S	4/2007	Brunner	
7,217,169 B1 *	5/2007	Anderson	..... 446/46
2004/0259460 A1 *	12/2004	Persall et al.	..... 446/20

**FOREIGN PATENT DOCUMENTS**

DE 20030603 12/1971

\* cited by examiner

*Primary Examiner*—Ian Simmons

*Assistant Examiner*—Maurice Steven

(74) *Attorney, Agent, or Firm*—Garvey, Smith, Nehrbass & North, L.L.C.; Seth M. Nehrbass

**Related U.S. Application Data**

(62) Division of application No. 29/196,363, filed on Dec. 29, 2003, now Pat. No. Des. 541,206, which is a division of application No. 29/178,377, filed on Mar. 25, 2003, now Pat. No. Des. 487,048, which is a division of application No. 29/173,071, filed on Dec. 20, 2002, now Pat. No. Des. 484,452, which is a division of application No. 29/141,341, filed on May 3, 2001, now Pat. No. Des. 471,507.

(51) **LOC (8) Cl.** ..... **12-07**

(52) **U.S. Cl.** ..... **D12/325**

(58) **Field of Classification Search** ..... D12/325;  
446/34, 46, 47; 244/12.2, 158.3, 171.6, 173.1,  
244/169; D21/441, 443, 444

See application file for complete search history.

(57) **CLAIM**

The ornamental design for a circular wing flying saucer, as shown and described.

**DESCRIPTION**

FIG. 1 is a top, front, perspective view of a circular wing flying saucer showing my new design;

FIG. 2 is a front view thereof,

FIG. 3 is a left side view thereof,

FIG. 4 is a rear view thereof; and,

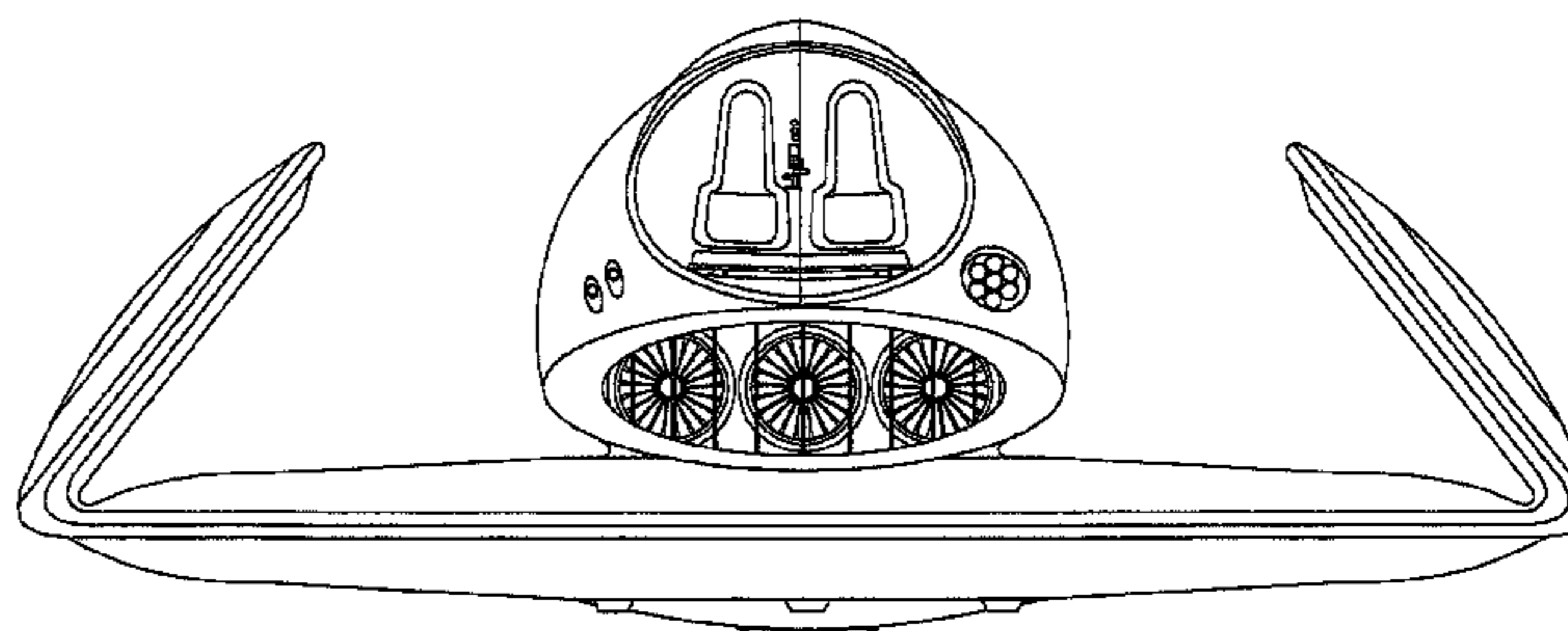
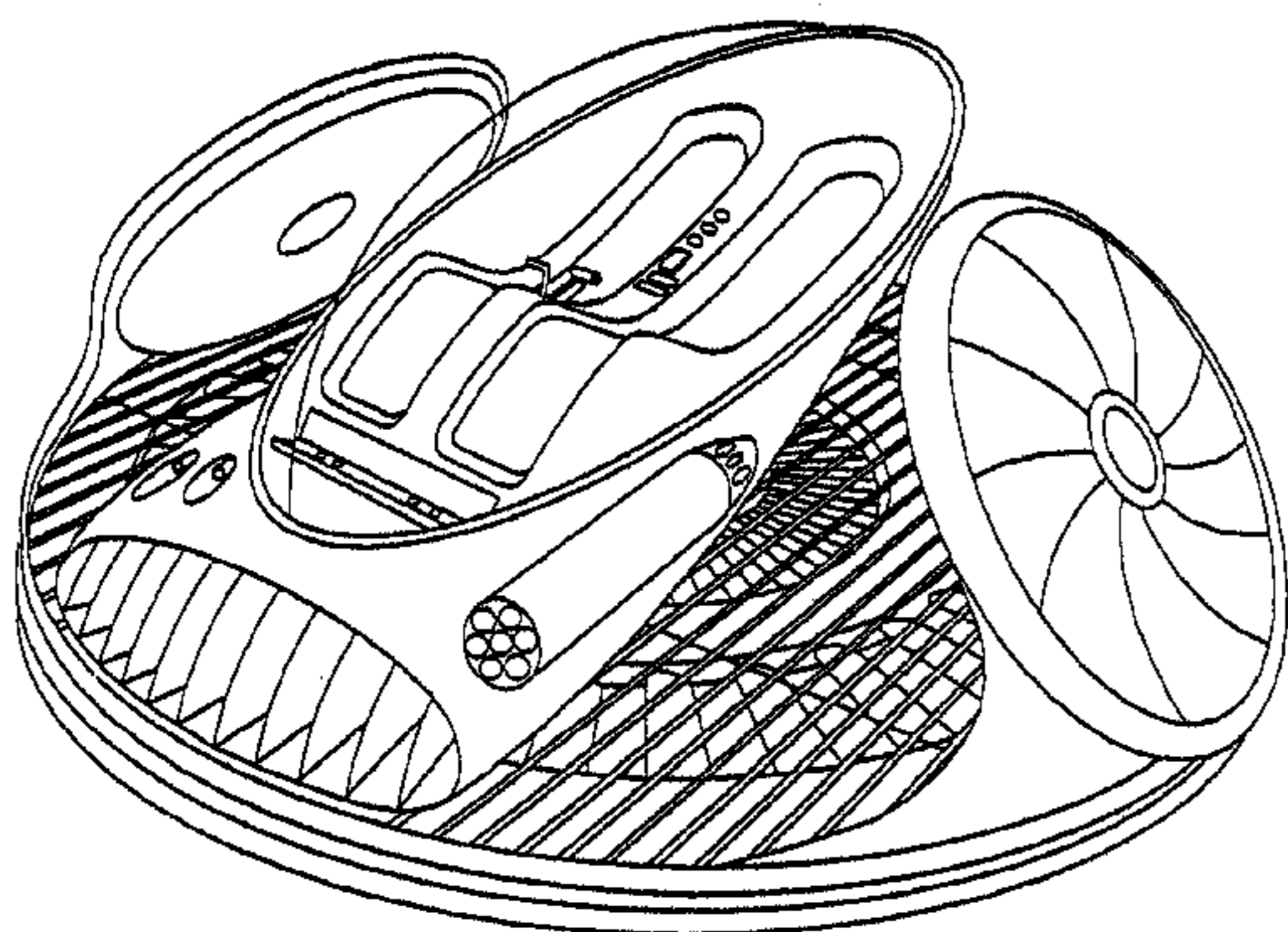
FIG. 5 is a bottom view thereof.

(56) **References Cited**

**U.S. PATENT DOCUMENTS**

D171,133 S	12/1953	Jay
3,933,325 A	1/1976	Kaelin
4,773,618 A	9/1988	Ow

**1 Claim, 5 Drawing Sheets**



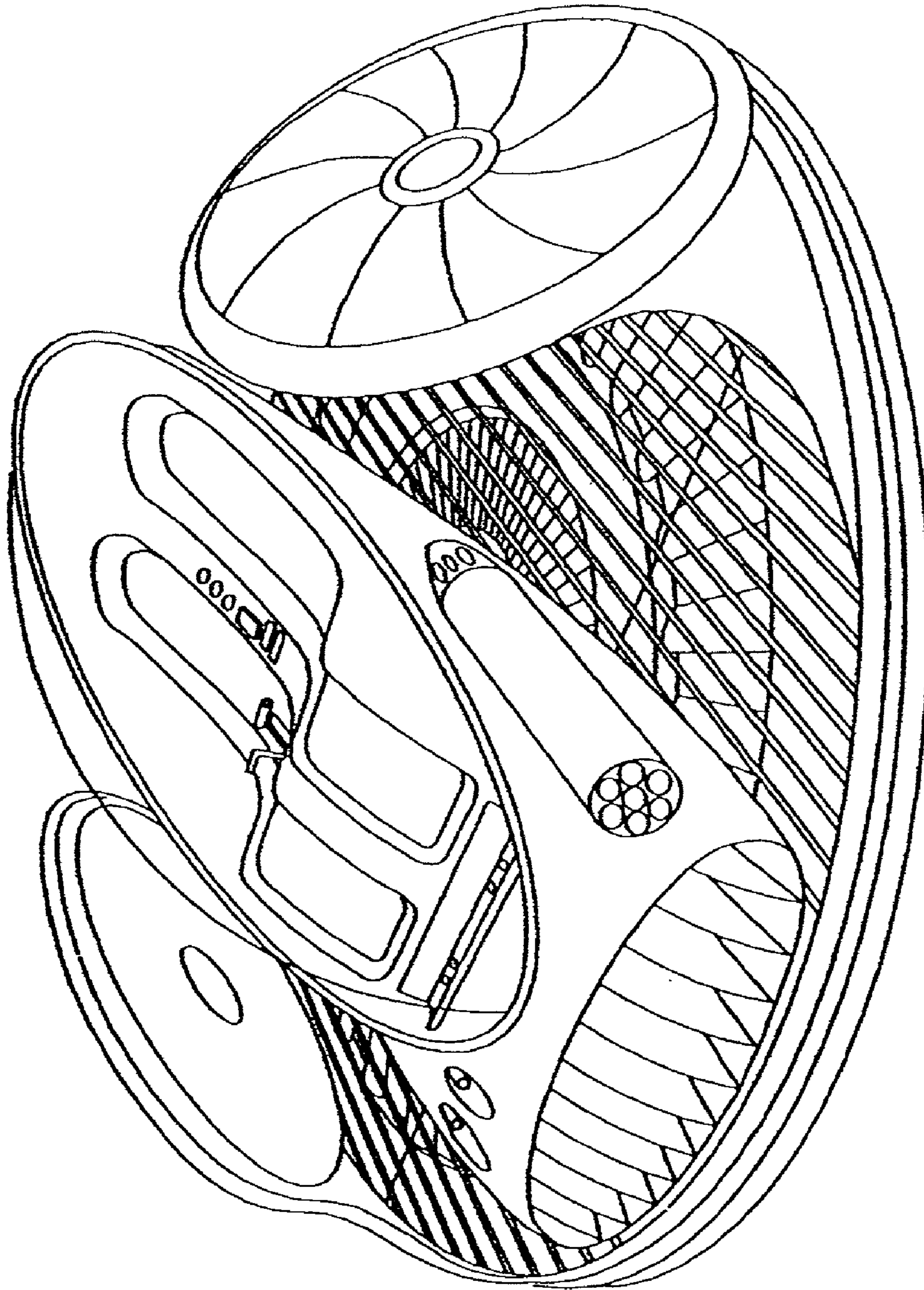


FIG. 1

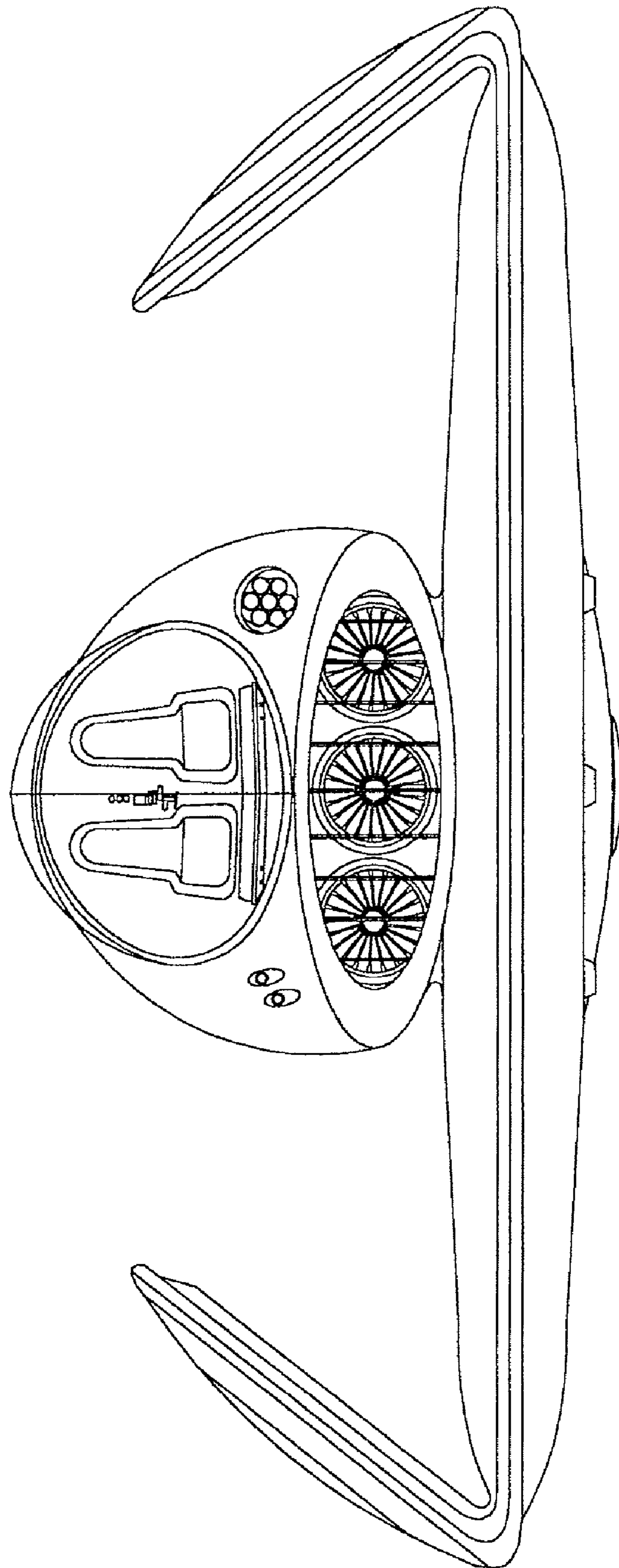


FIG. 2

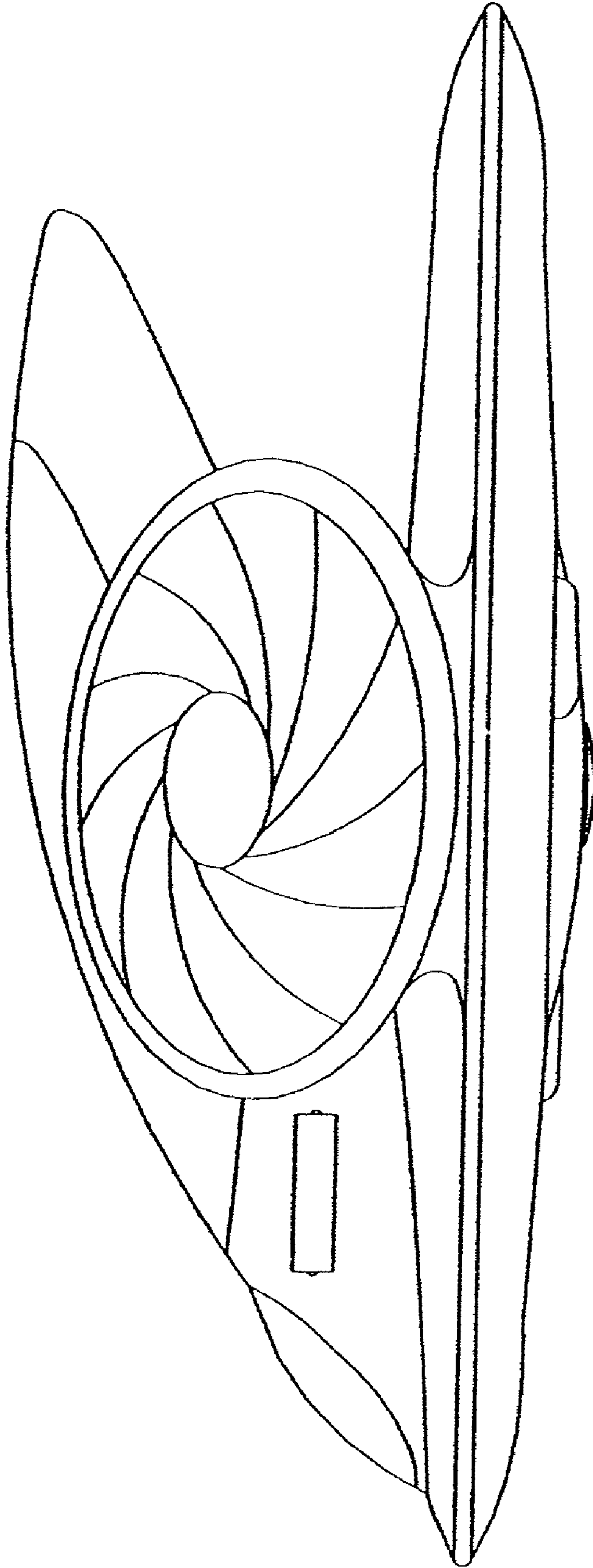


FIG. 3

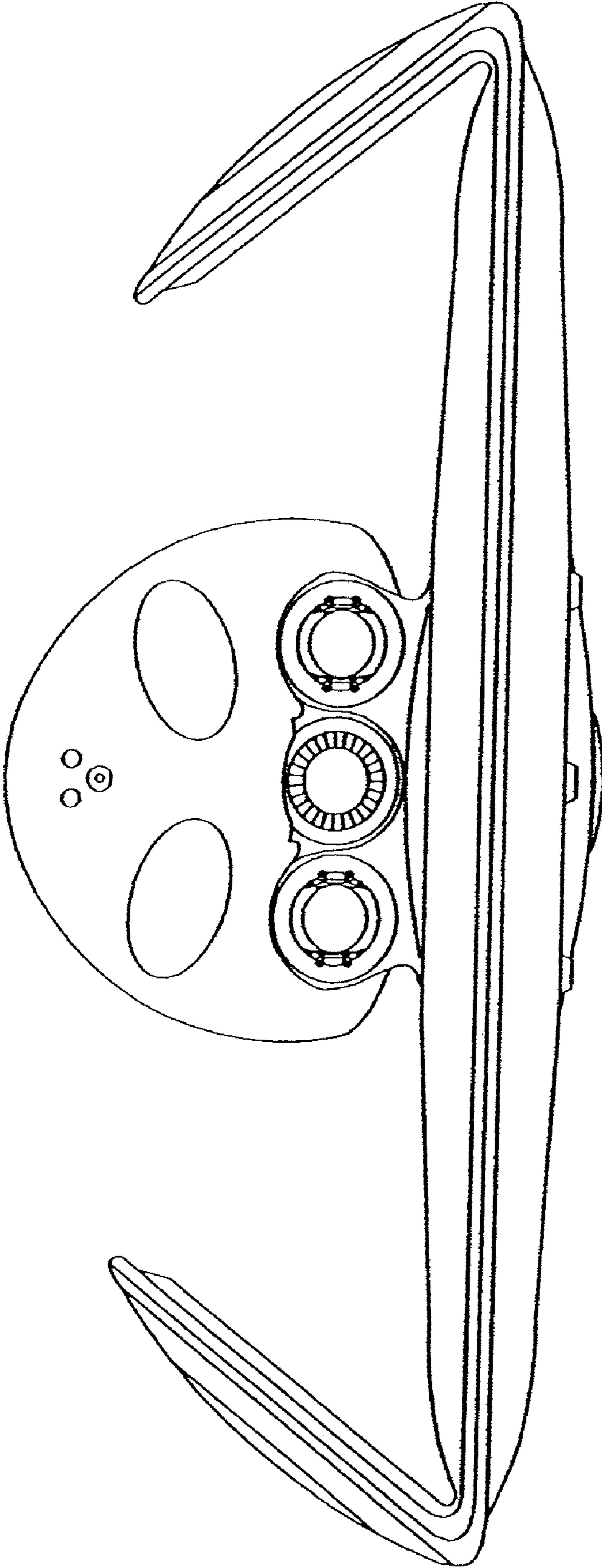


FIG. 4

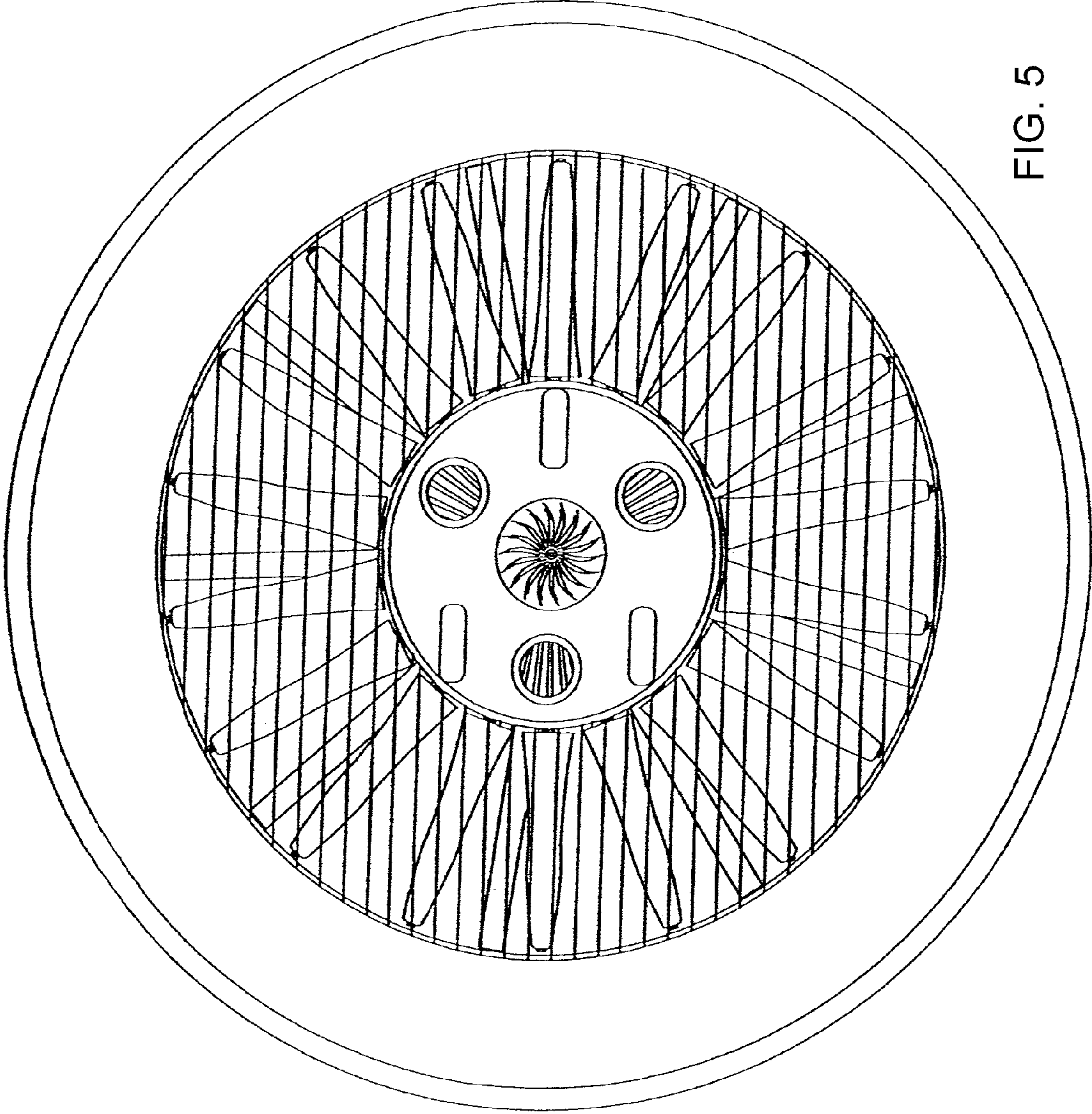


FIG. 5