



US00D569331S

(12) **United States Design Patent**
Gassew

(10) **Patent No.:** **US D569,331 S**

(45) **Date of Patent:** **** May 20, 2008**

(54) **SPREADER BAR HARDWARE**

(76) **Inventor:** **Garry L. Gassew**, 3001 SW. 3rd Ave.,
Unit #1, Fort Lauderdale, FL (US)
33315

(**) **Term:** **14 Years**

(21) **Appl. No.:** **29/285,956**

(22) **Filed:** **Apr. 17, 2007**

(51) **LOC (8) Cl.** **12-06**

(52) **U.S. Cl.** **D12/317**

(58) **Field of Classification Search** D12/300,
D12/303, 317; D8/349, 380, 381; 294/81.1,
294/81.5; 248/309.1, 316.8, 317, 640-643
See application file for complete search history.

(56) **References Cited**

U.S. PATENT DOCUMENTS

- 4,676,414 A * 6/1987 Deguevara 224/535
- 5,364,054 A * 11/1994 Miller et al. 248/304
- 5,662,307 A * 9/1997 Lentine 248/640
- D508,646 S * 8/2005 Gates et al. D8/381

- D530,596 S * 10/2006 Aldeghi et al. D8/381
- D548,066 S * 8/2007 Welch D8/381
- D556,031 S * 11/2007 Johnson D8/381

* cited by examiner

Primary Examiner—Holly H. Baynham
Assistant Examiner—Cynthia M Chin
(74) *Attorney, Agent, or Firm*—Gold & Rizvi, P.A.; Glenn E. Gold; H. John Rizvi

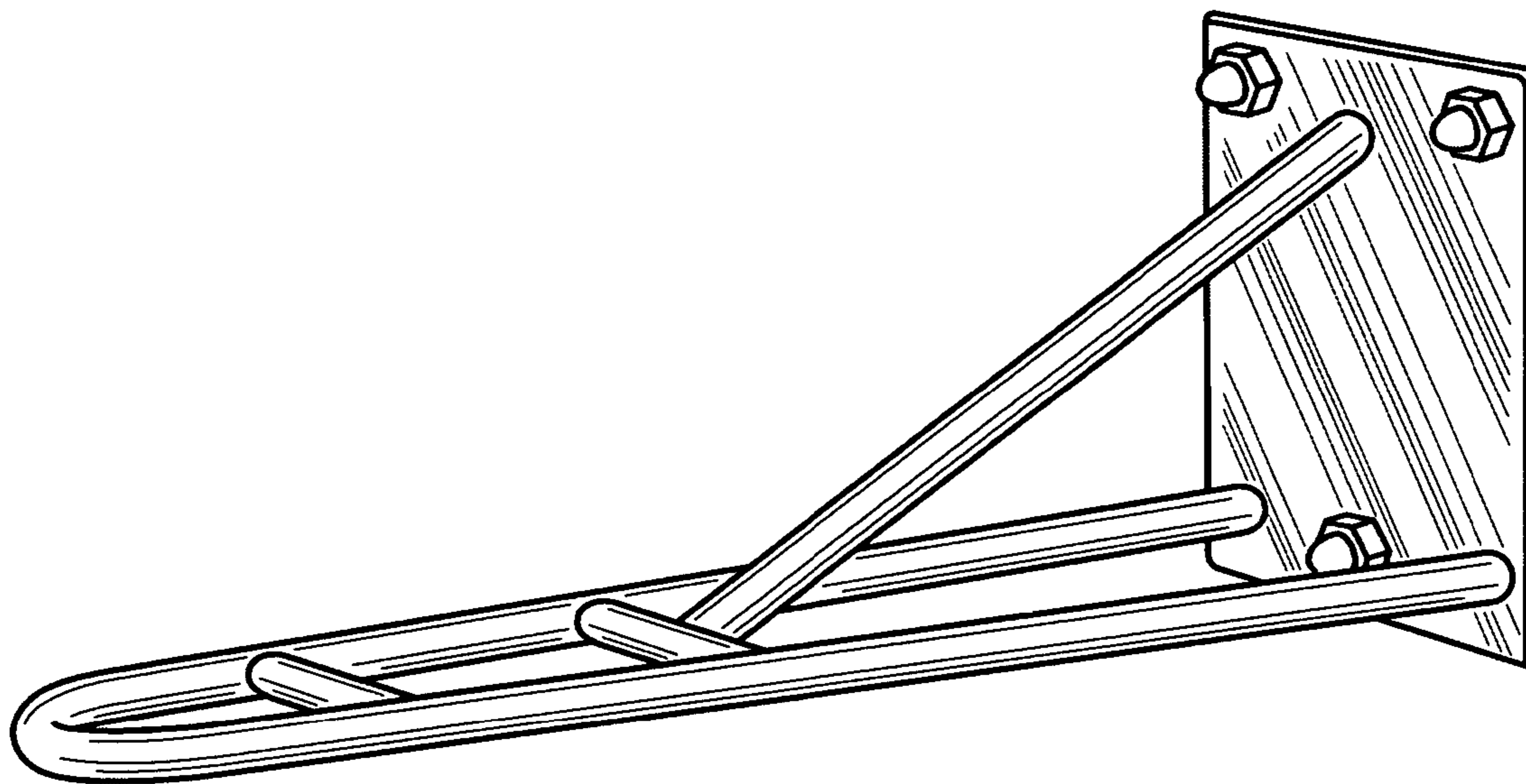
(57) **CLAIM**

I claim the ornamental design for a spreader bar hardware, as shown and described.

DESCRIPTION

FIG. 1 is a right side view of the spreader bar hardware showing my new design;
FIG. 2 is a front view thereof;
FIG. 3 is a top view thereof;
FIG. 4 is a bottom view thereof; and,
FIG. 5 is a perspective view thereof.

1 Claim, 5 Drawing Sheets



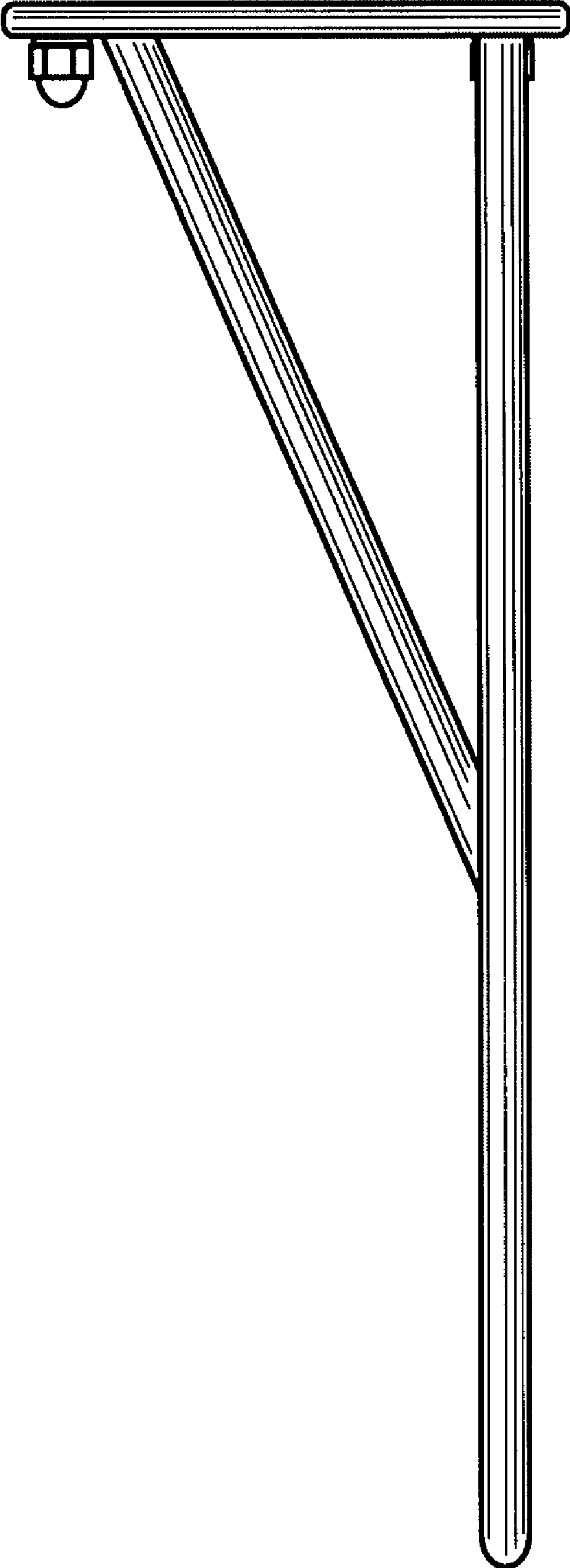


Fig. 1

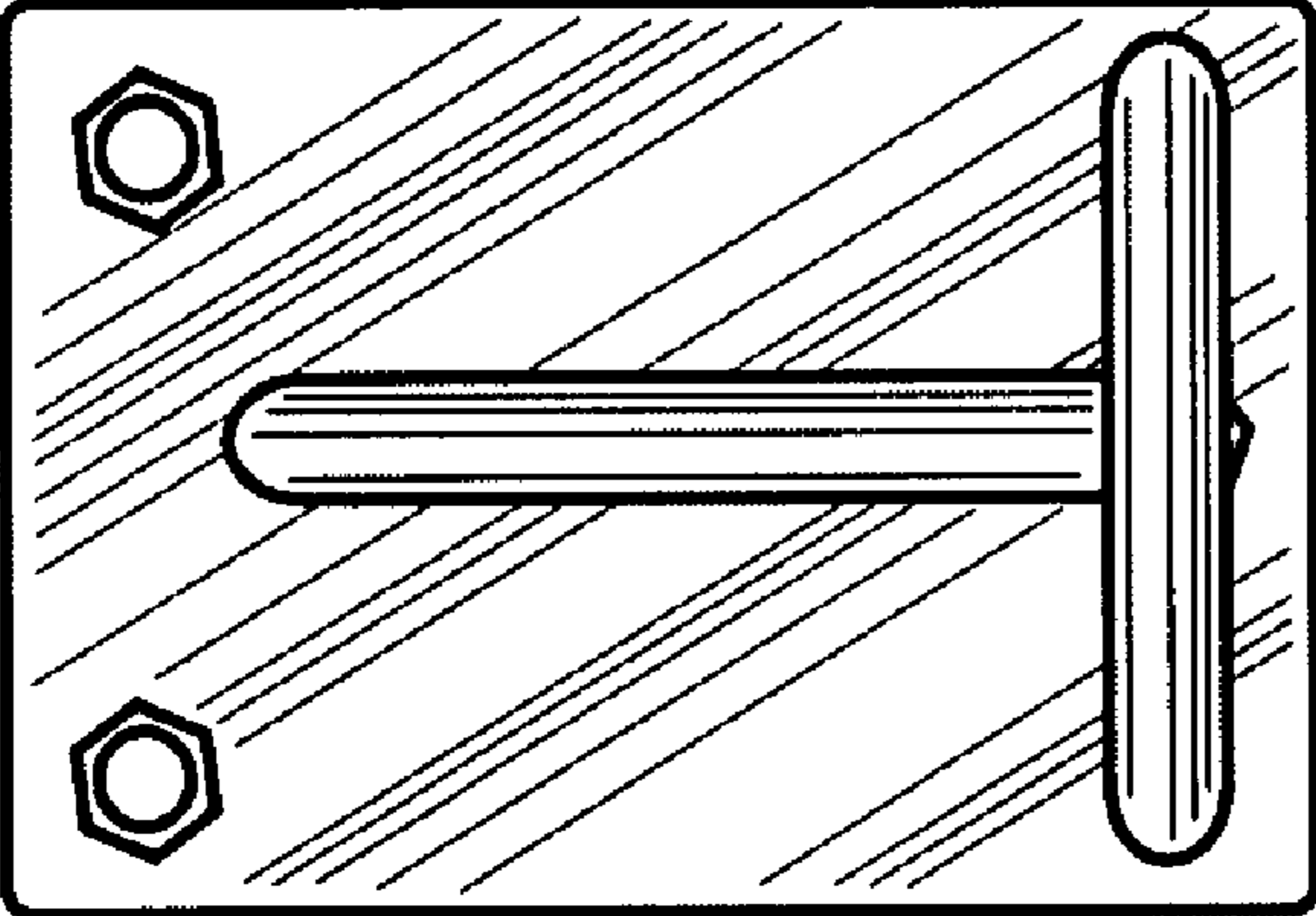


Fig. 2

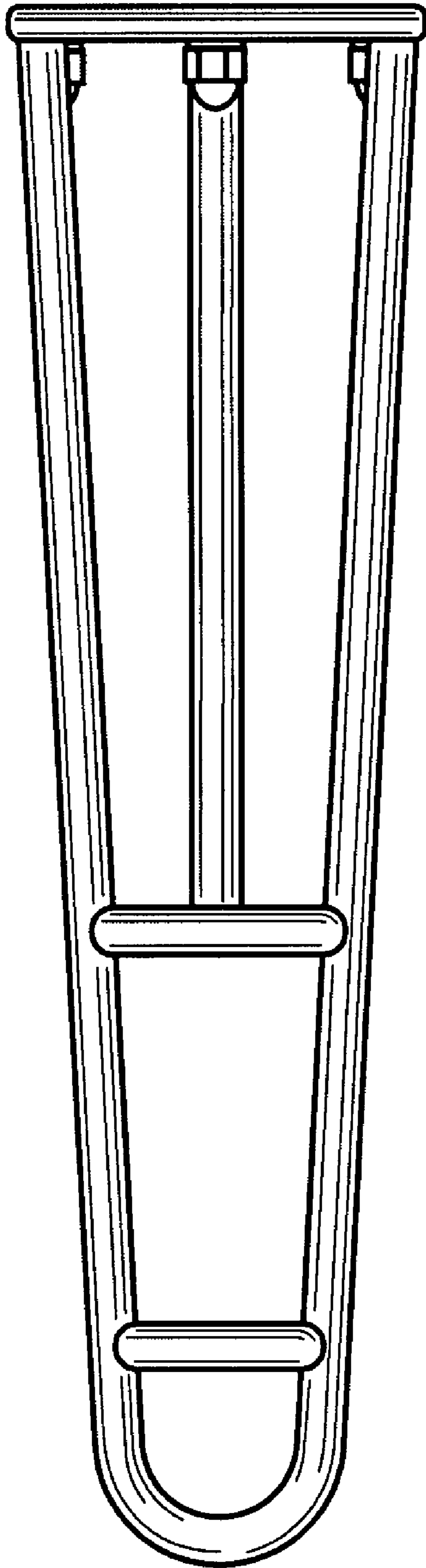


Fig. 3

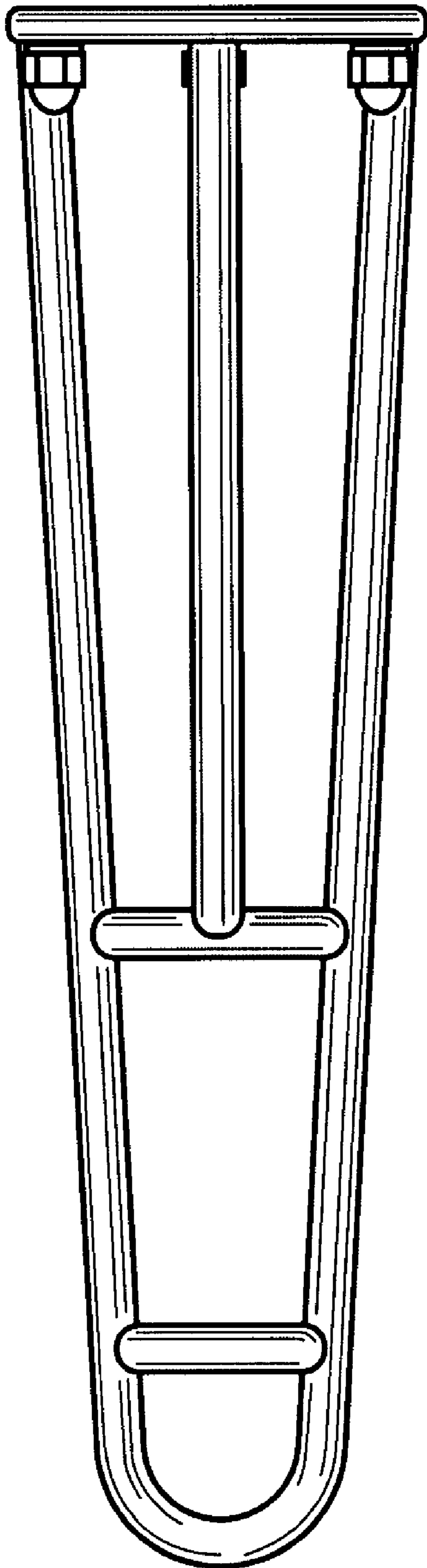


Fig. 4

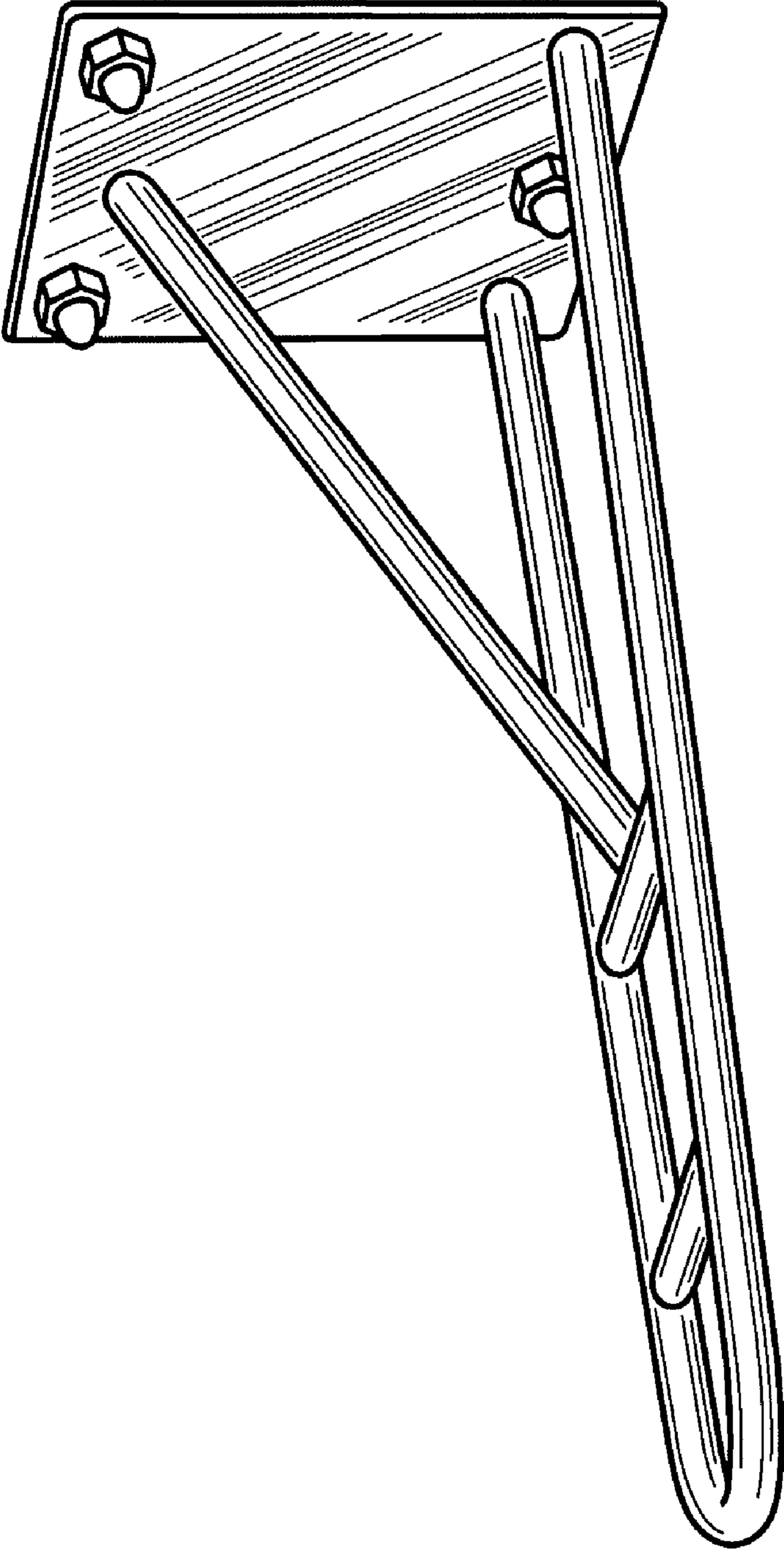


Fig. 5