

US00D569330S

(12) **United States Design Patent**
Hattori et al.

(10) **Patent No.:** **US D569,330 S**

(45) **Date of Patent:** **** May 20, 2008**

(54) **WATER SCOOTER**

2004/0007167 A1* 1/2004 Cassell 114/55.57
2004/0168622 A1* 9/2004 Thompson et al. 114/55.5

(75) Inventors: **Toshiyuki Hattori**, Shizuoka-ken (JP);
Yoshiyuki Kaneko, Shizuoka-ken (JP)

* cited by examiner

(73) Assignee: **Yamaha Marine Kabushiki Kaisha**
(JP)

Primary Examiner—Holly H. Baynham

Assistant Examiner—Cynthia M. Chin

(74) *Attorney, Agent, or Firm*—Ostrolenk, Faber, Gerb &
Soffen, LLP

(**) Term: **14 Years**

(21) Appl. No.: **29/282,338**

(57) **CLAIM**

(22) Filed: **Jul. 17, 2007**

The ornamental design for a water scooter, as shown.

(51) **LOC (8) Cl.** **12-06**

(52) **U.S. Cl.** **D12/307**

(58) **Field of Classification Search** D12/300,
D12/307, 317; 114/55.5, 55.51–55.58
See application file for complete search history.

DESCRIPTION

FIG. 1 is a front, right side top perspective view of a water scooter showing our new design;

FIG. 2 is a left side view thereof;

FIG. 3 is a right side view thereof;

FIG. 4 is a front view thereof;

FIG. 5 is a rear view thereof;

FIG. 6 is a top view thereof; and,

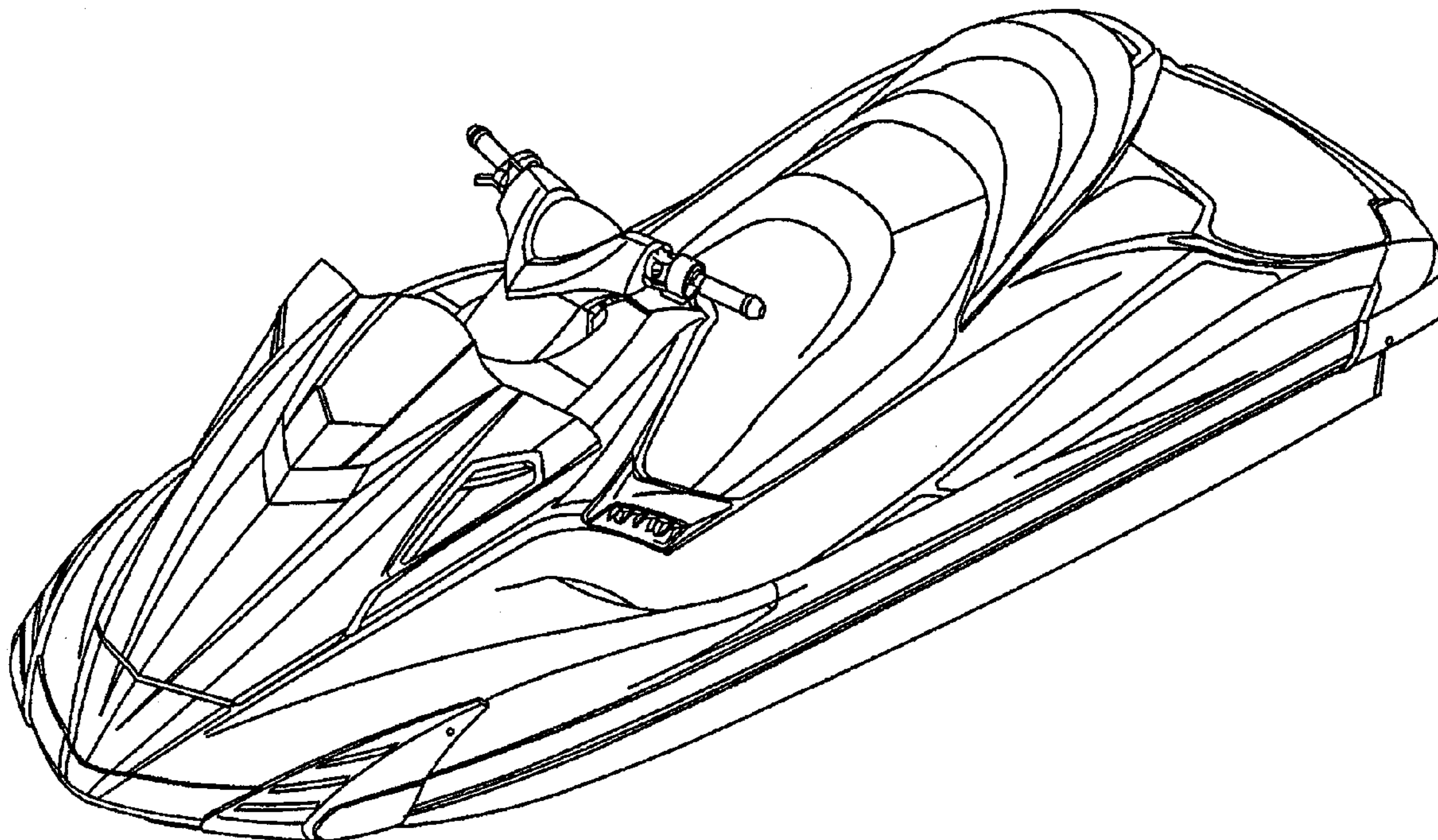
FIG. 7 is a bottom view thereof.

(56) **References Cited**

U.S. PATENT DOCUMENTS

D343,160 S * 1/1994 LaPointe D12/307
D483,315 S * 12/2003 Aselton et al. D12/307
D510,900 S * 10/2005 Bucaccio et al. D12/307
D516,006 S * 2/2006 Bucaccio et al. D12/307
D517,466 S * 3/2006 Bucaccio et al. D12/307

1 Claim, 4 Drawing Sheets



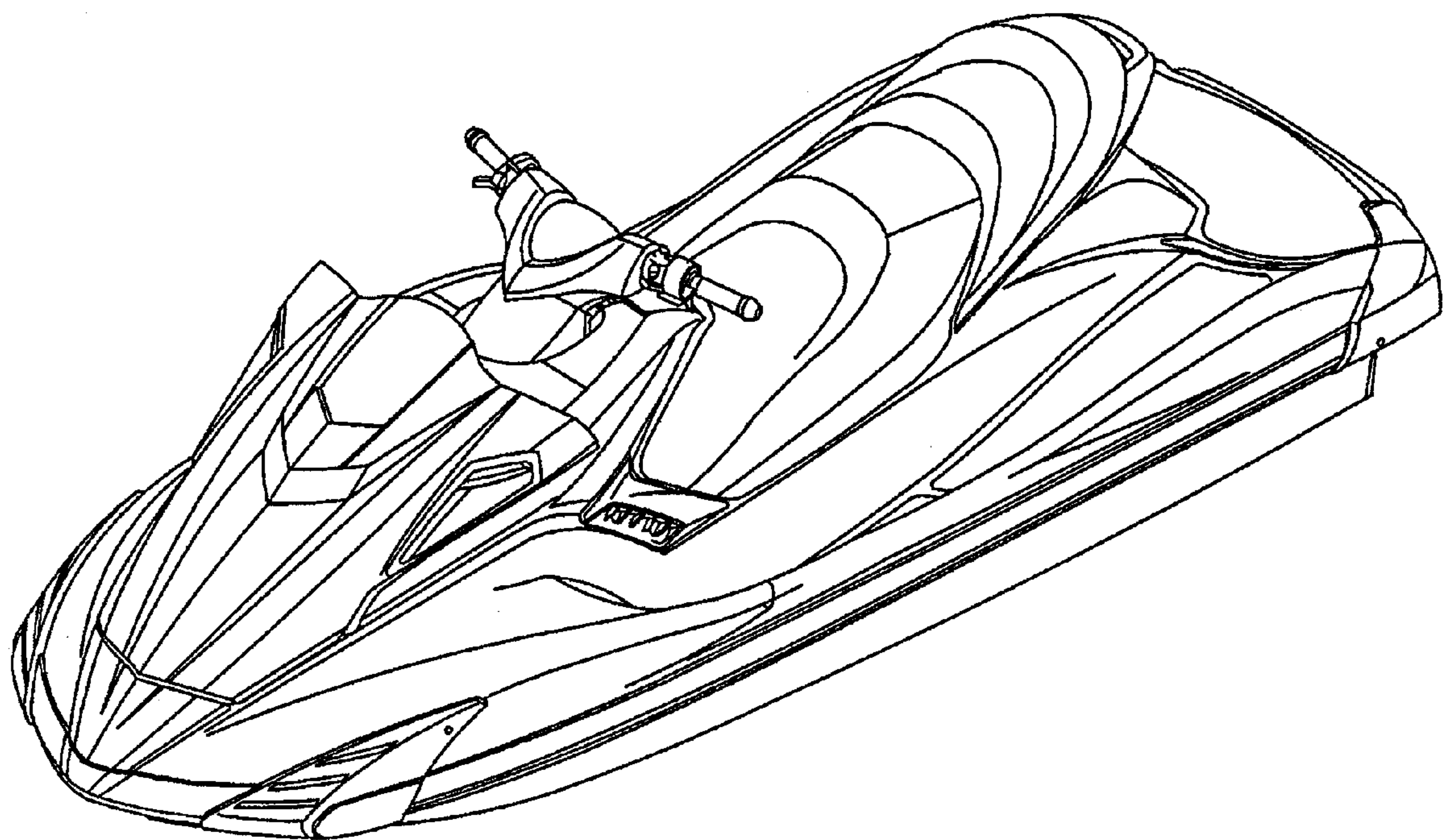


FIG. 1

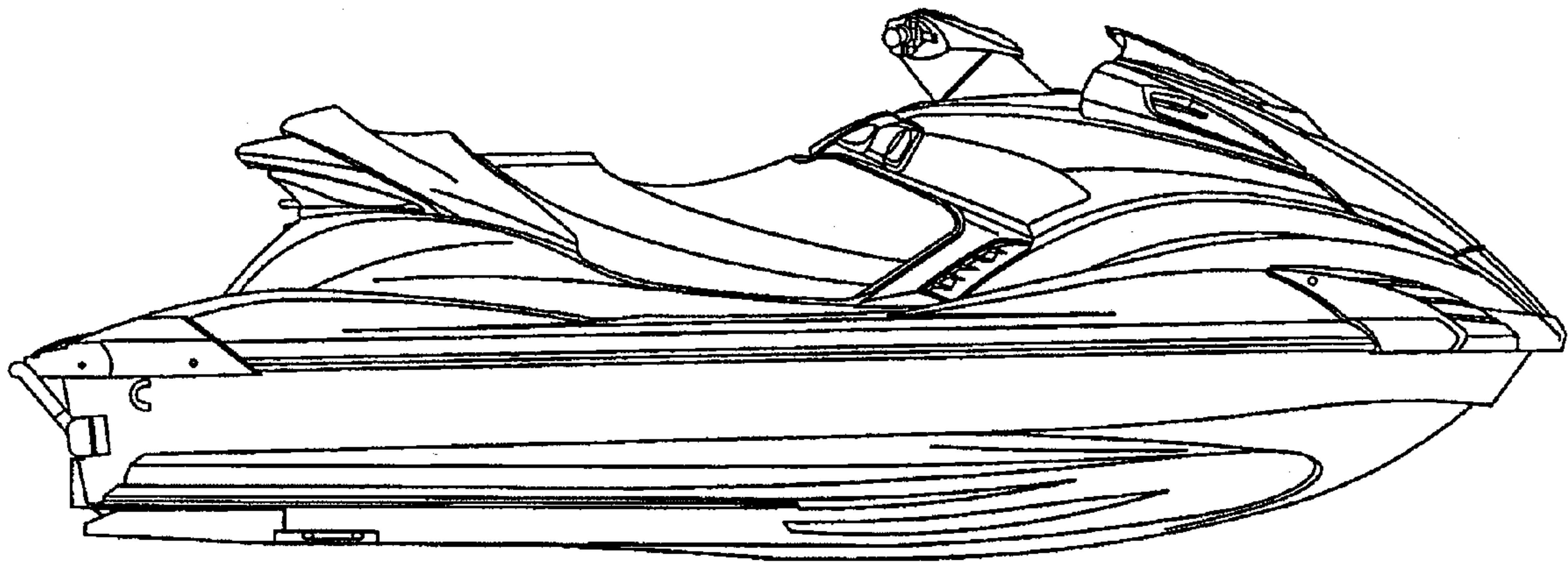


FIG. 2

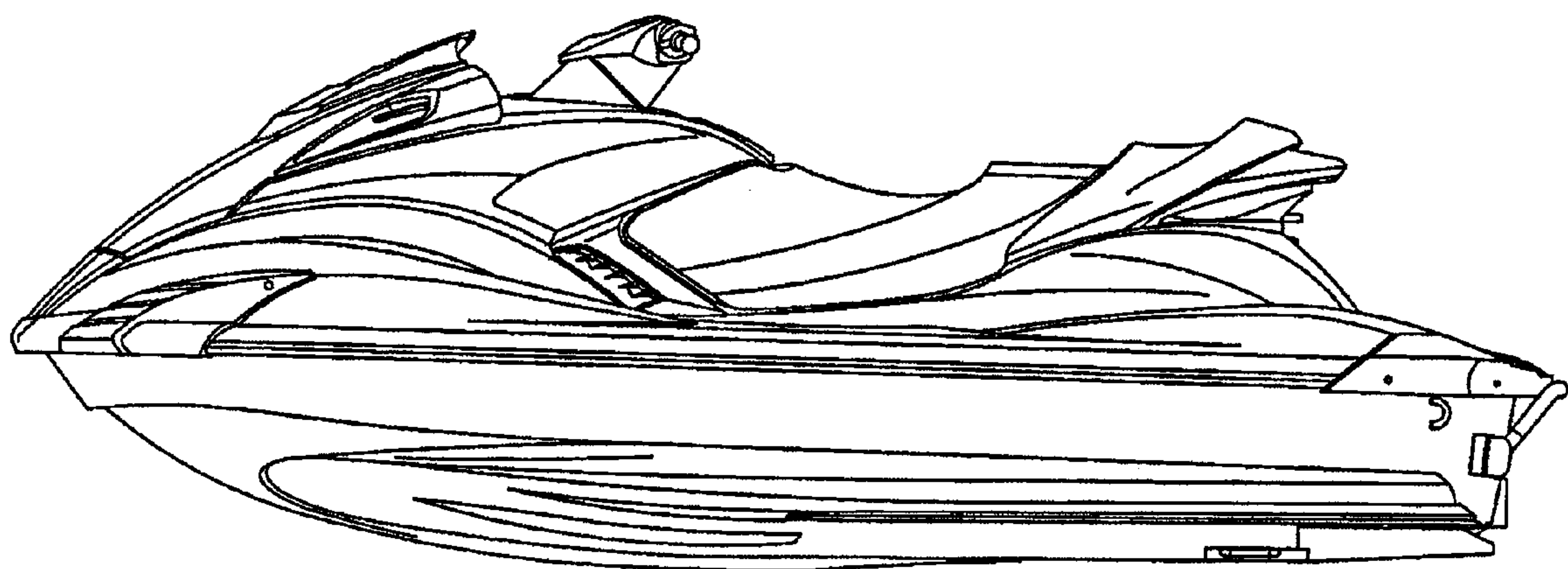


FIG. 3

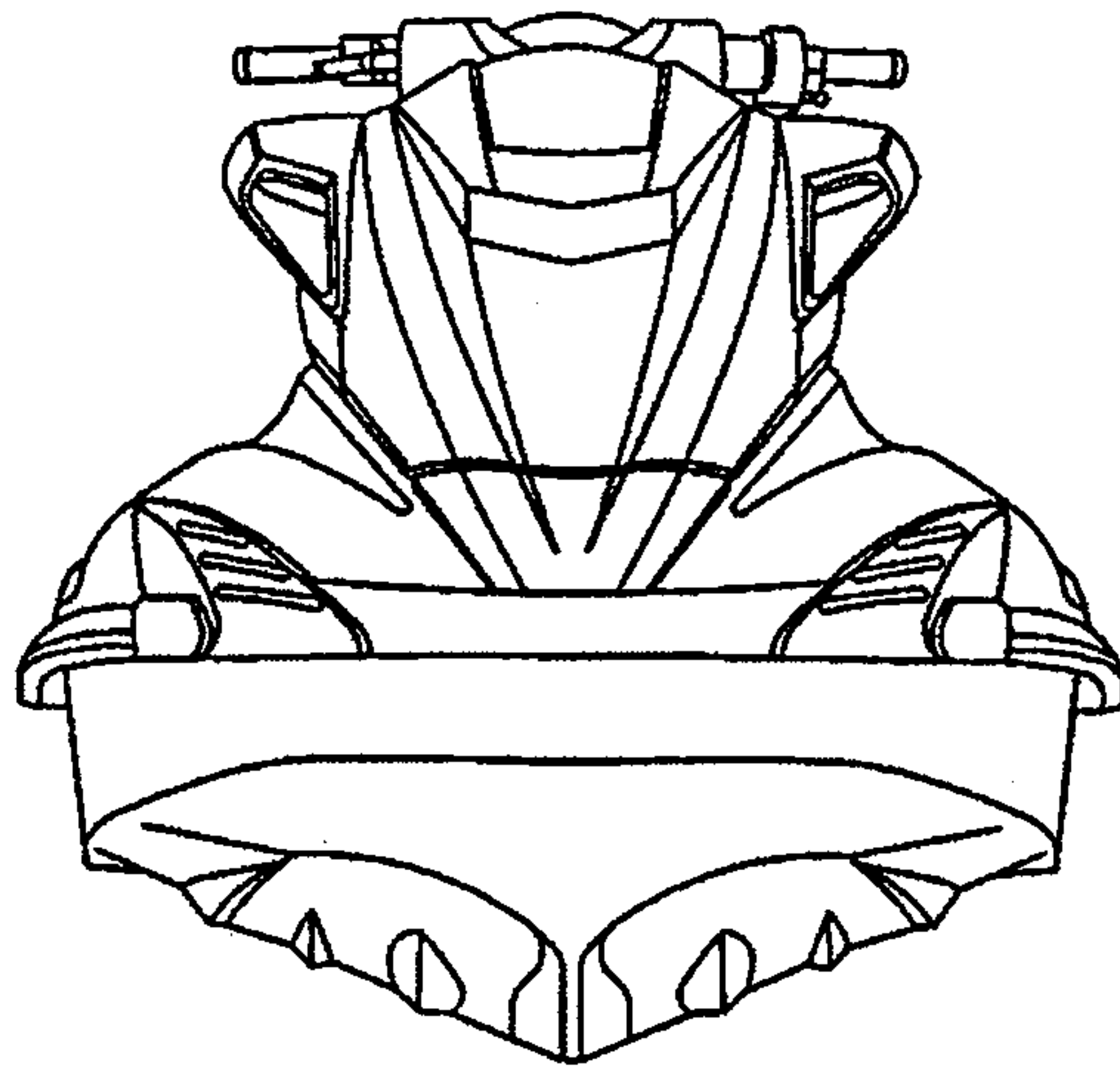


FIG. 4

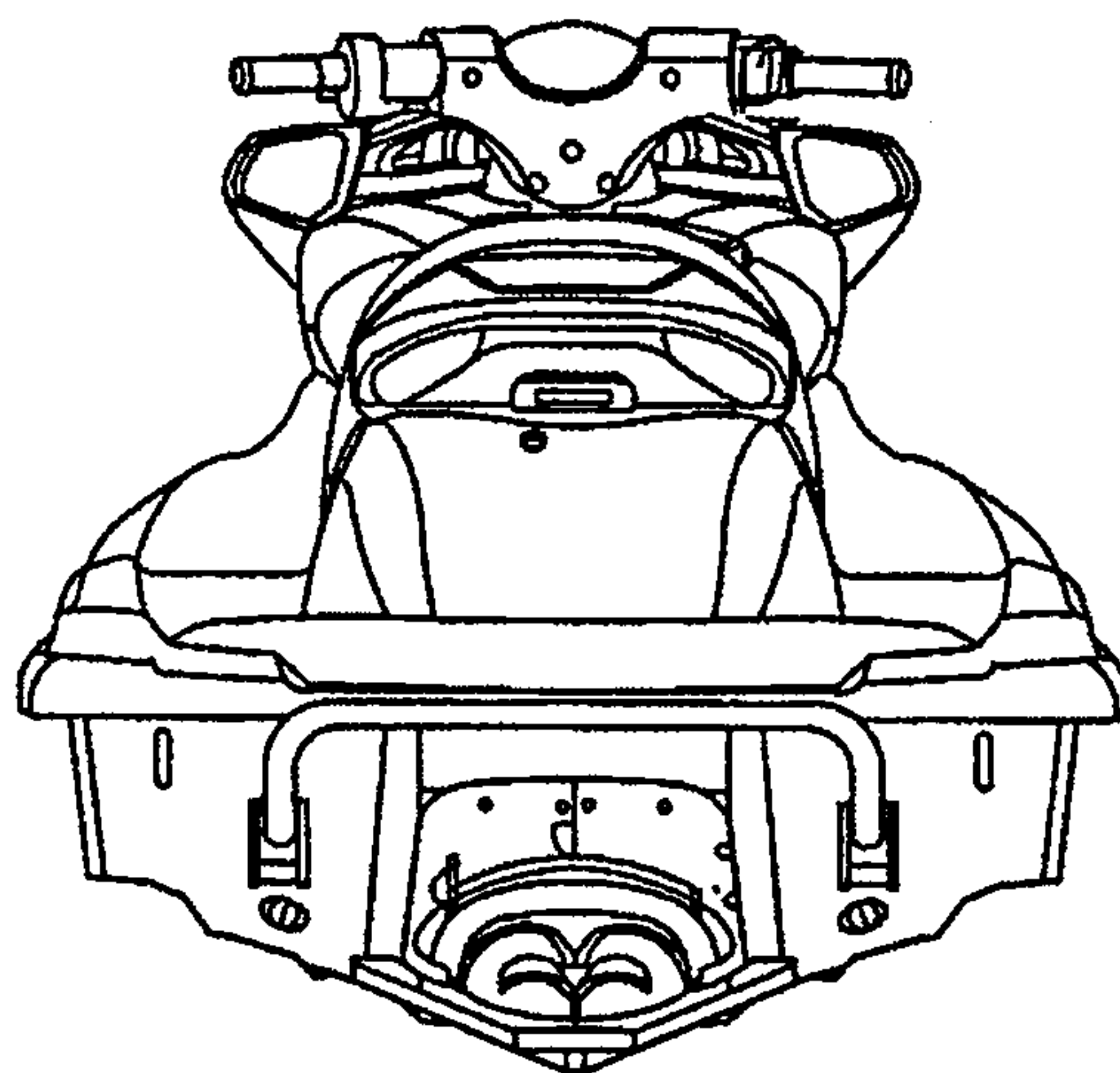


FIG. 5

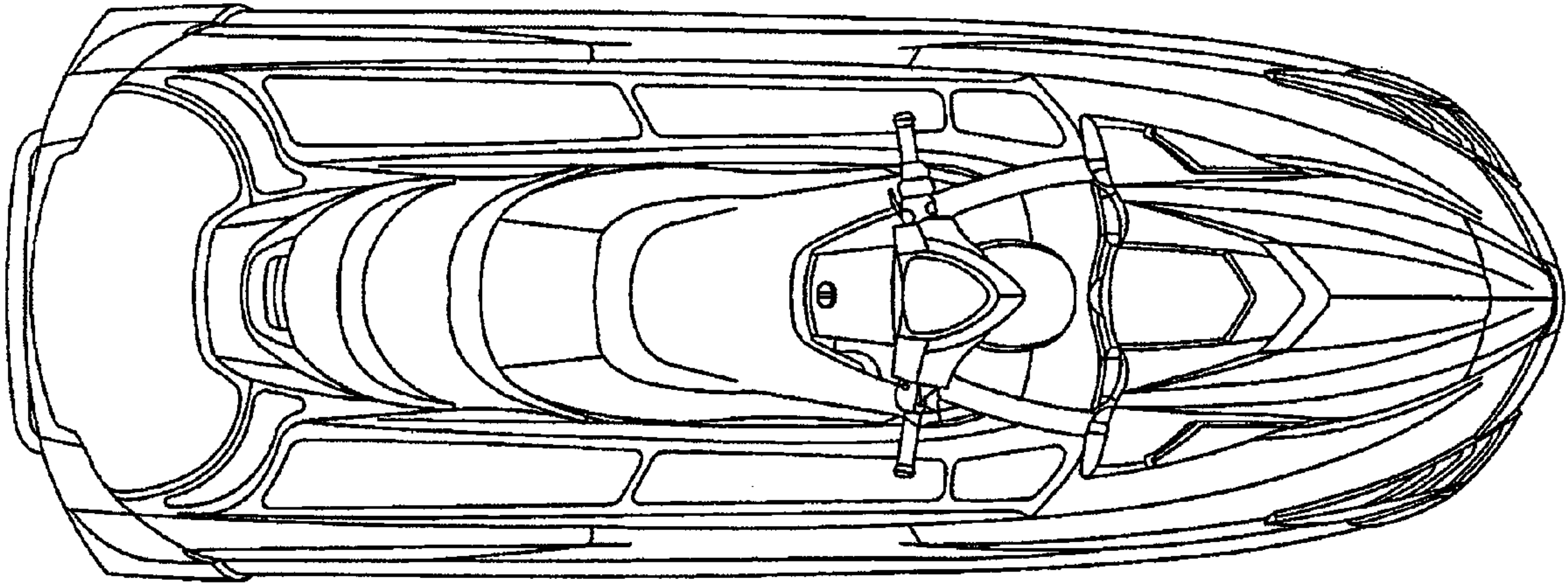


FIG. 6

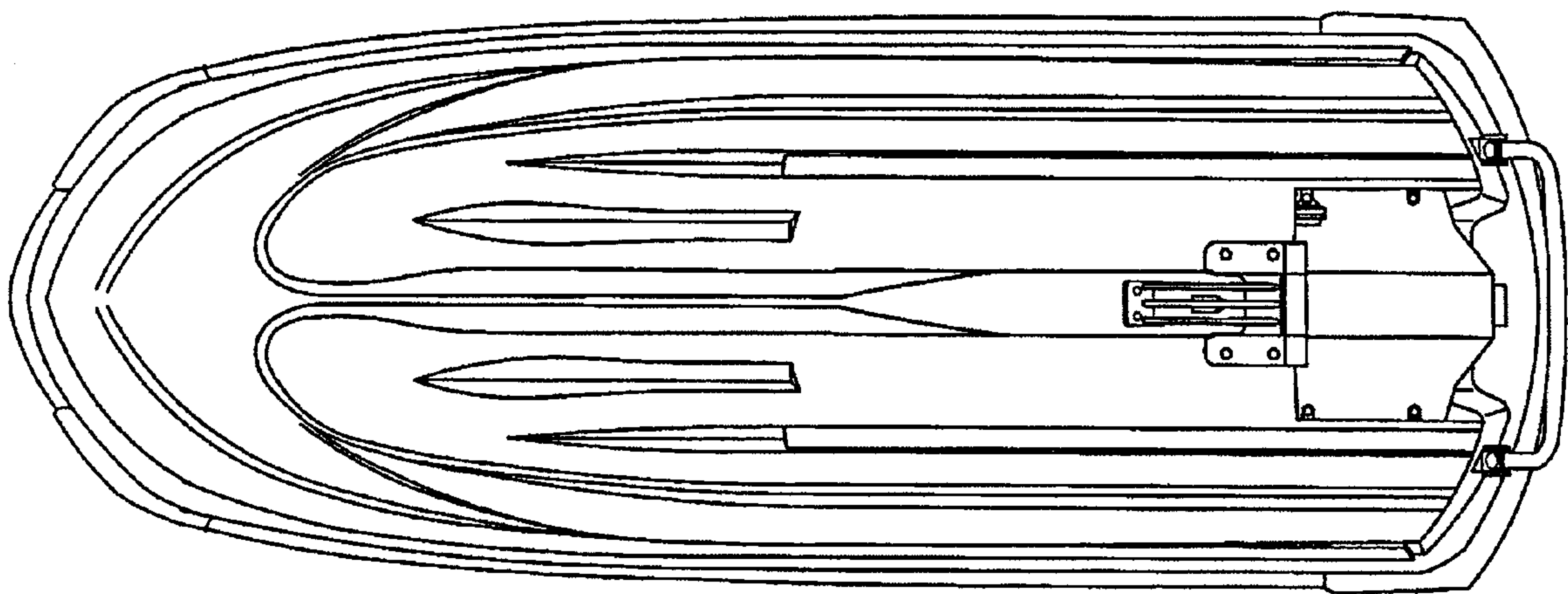


FIG. 7