



US00D569329S

(12) **United States Design Patent**
Hall et al.

(10) **Patent No.:** **US D569,329 S**

(45) **Date of Patent:** **** May 20, 2008**

(54) **KAYAK**

(76) Inventors: **Charles P. Hall**, 5815 Bennett Valley Rd., Santa Rosa, CA (US) 95404;
Clayton F. Haller, 5382 Aspenwood Ct., Concord, CA (US) 94521

(**) Term: **14 Years**

(21) Appl. No.: **29/289,920**

(22) Filed: **Aug. 7, 2007**

(51) **LOC (8) Cl.** **12-06**

(52) **U.S. Cl.** **D12/302**

(58) **Field of Classification Search** D12/300,
D12/302, 303, 304, 316, 317; 114/61.25,
114/343, 345, 347, 348, 351-358, 363; D21/542,
D21/801, 809, 810

See application file for complete search history.

(56) **References Cited**

U.S. PATENT DOCUMENTS

D400,155 S * 10/1998 Masters D12/302
6,223,678 B1 * 5/2001 Haller et al. 114/347

D465,447 S * 11/2002 Haller D12/302
D468,253 S * 1/2003 Haller D12/302
2006/0144313 A1 * 7/2006 Toussi et al. 114/345

* cited by examiner

Primary Examiner—Holly H. Baynham

Assistant Examiner—Cynthia M Chin

(57) **CLAIM**

The ornamental design for a kayak, as shown and described.

DESCRIPTION

FIG. 1 is a perspective view of the kayak according to the present invention;

FIG. 2 is a top plan view of the kayak;

FIG. 3 is a bottom plan view thereof;

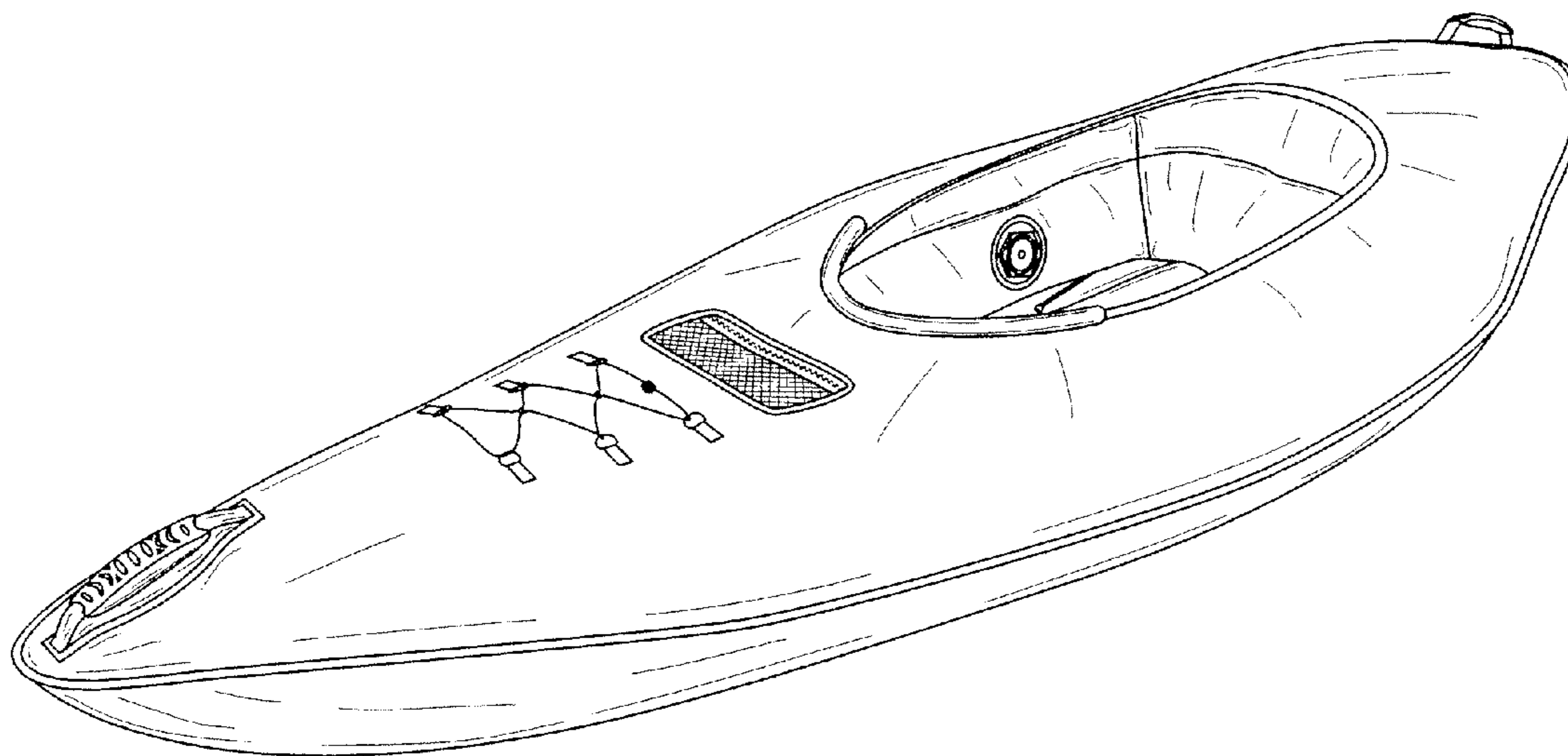
FIG. 4 is a right side elevational view thereof;

FIG. 5 is a left side elevational view thereof;

FIG. 6 is a front elevational view thereof; and,

FIG. 7 is a back elevational view thereof.

1 Claim, 4 Drawing Sheets



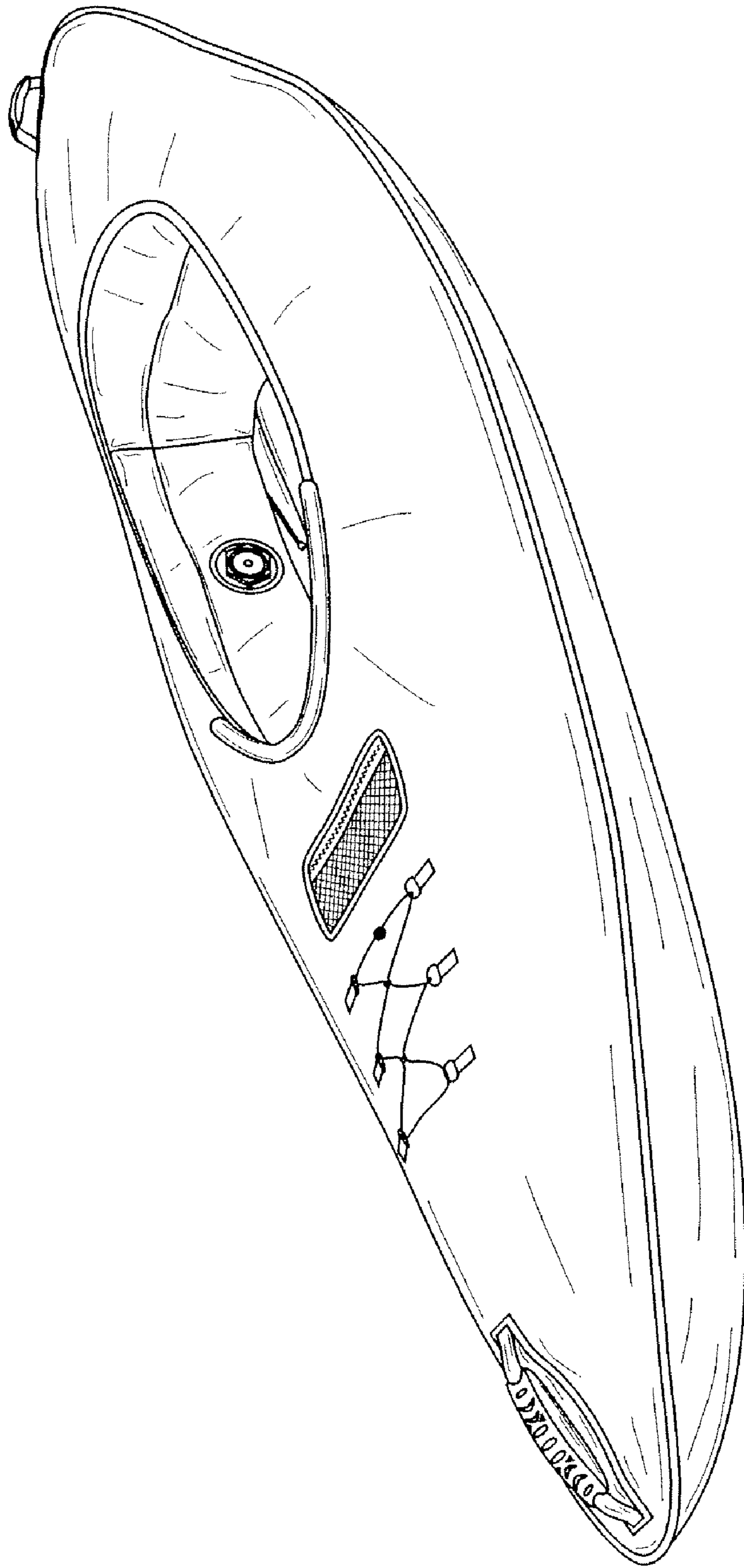


FIG. 1

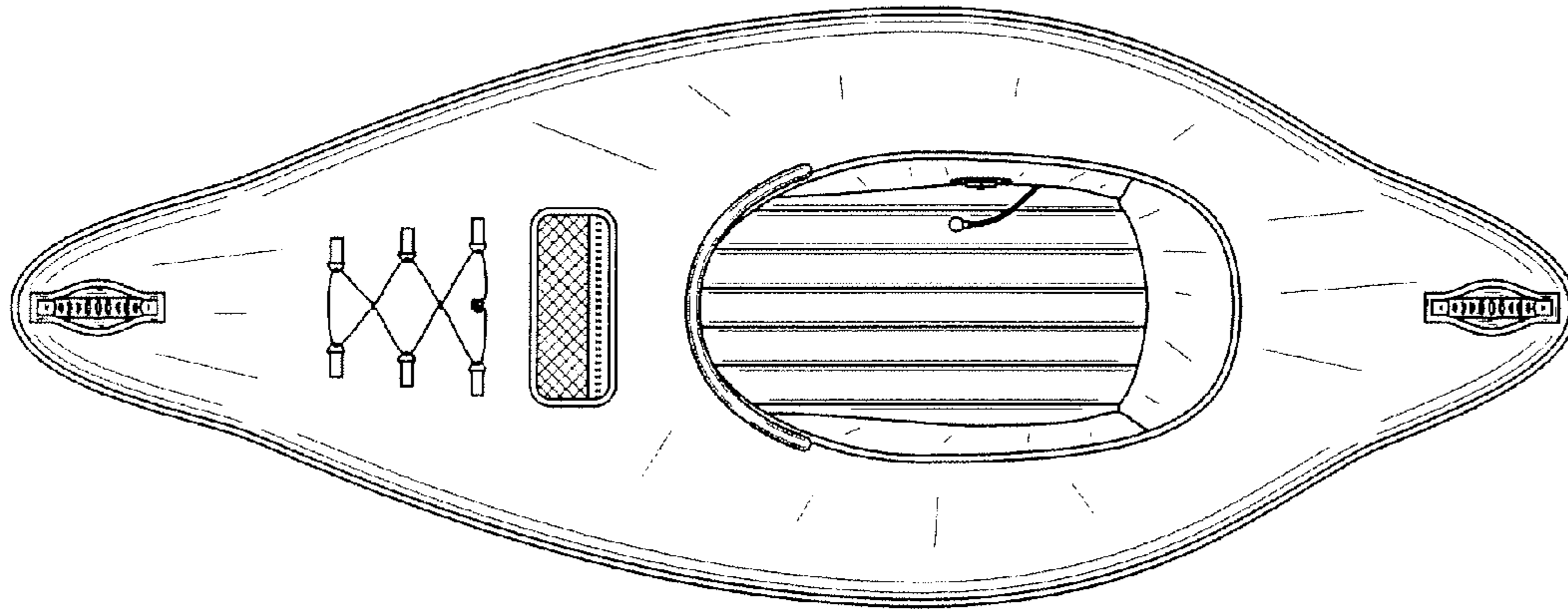


FIG. 2

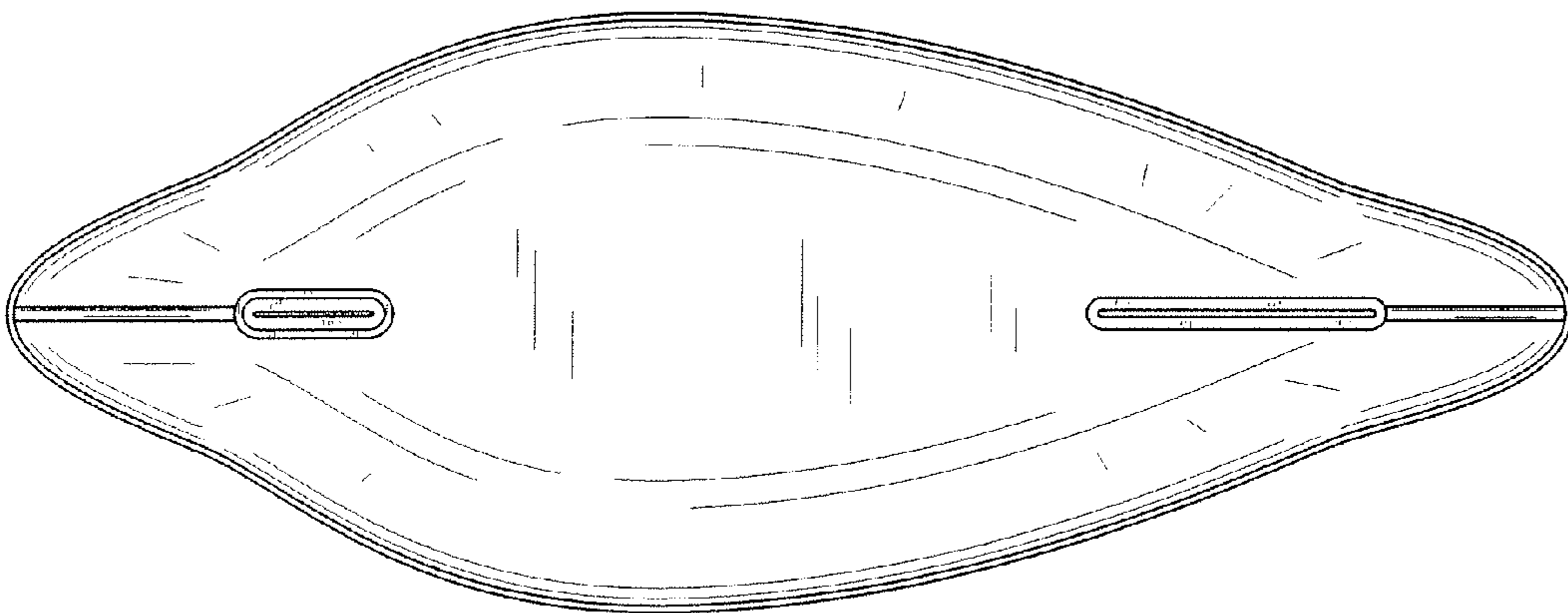


FIG. 3

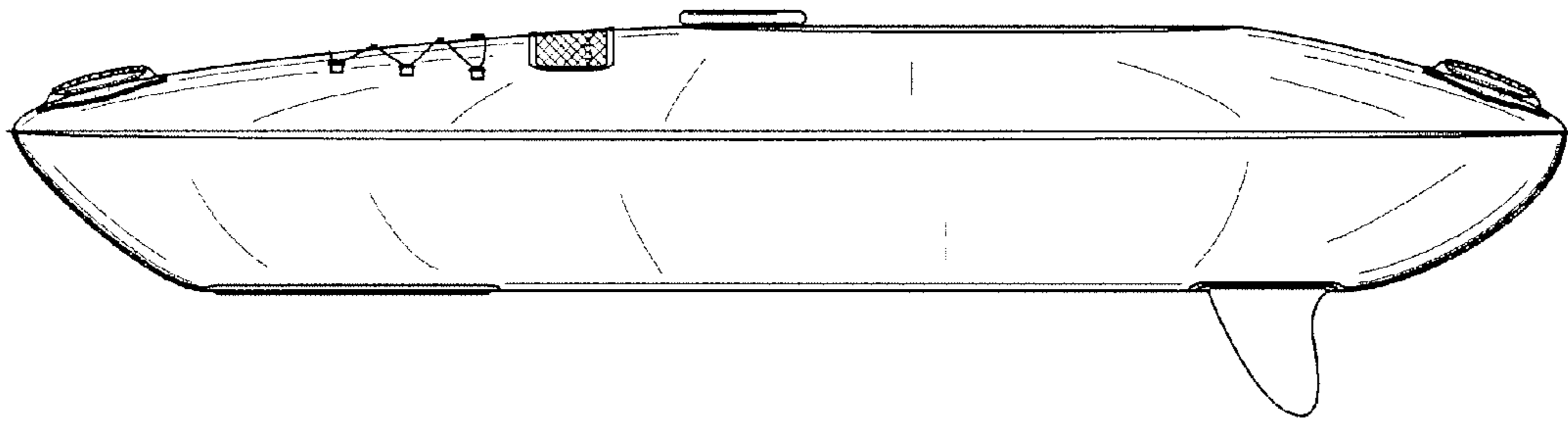


FIG. 4

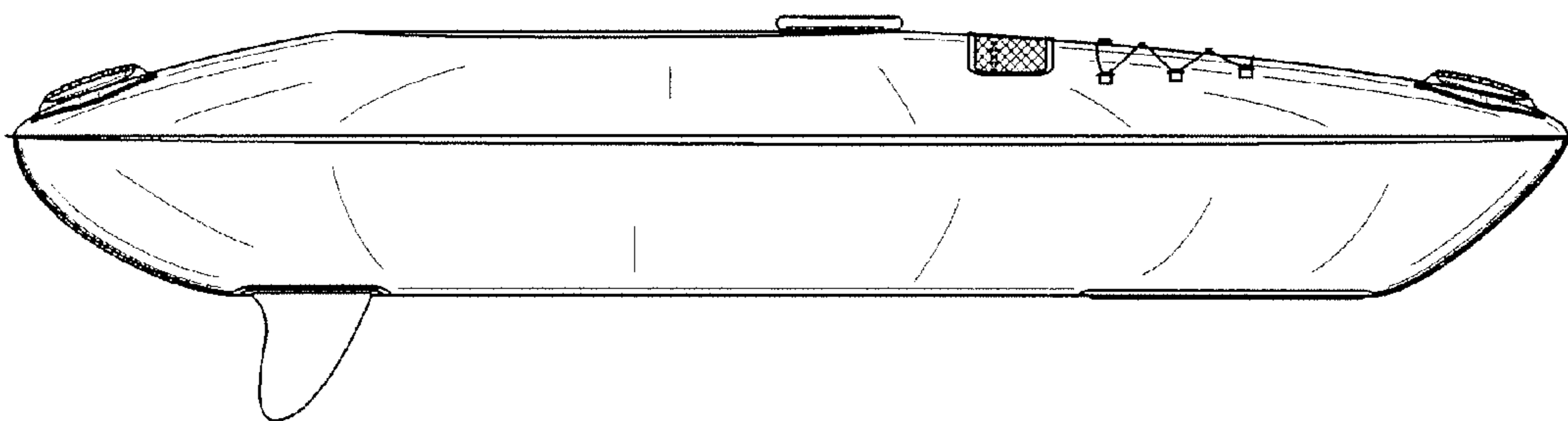


FIG. 5

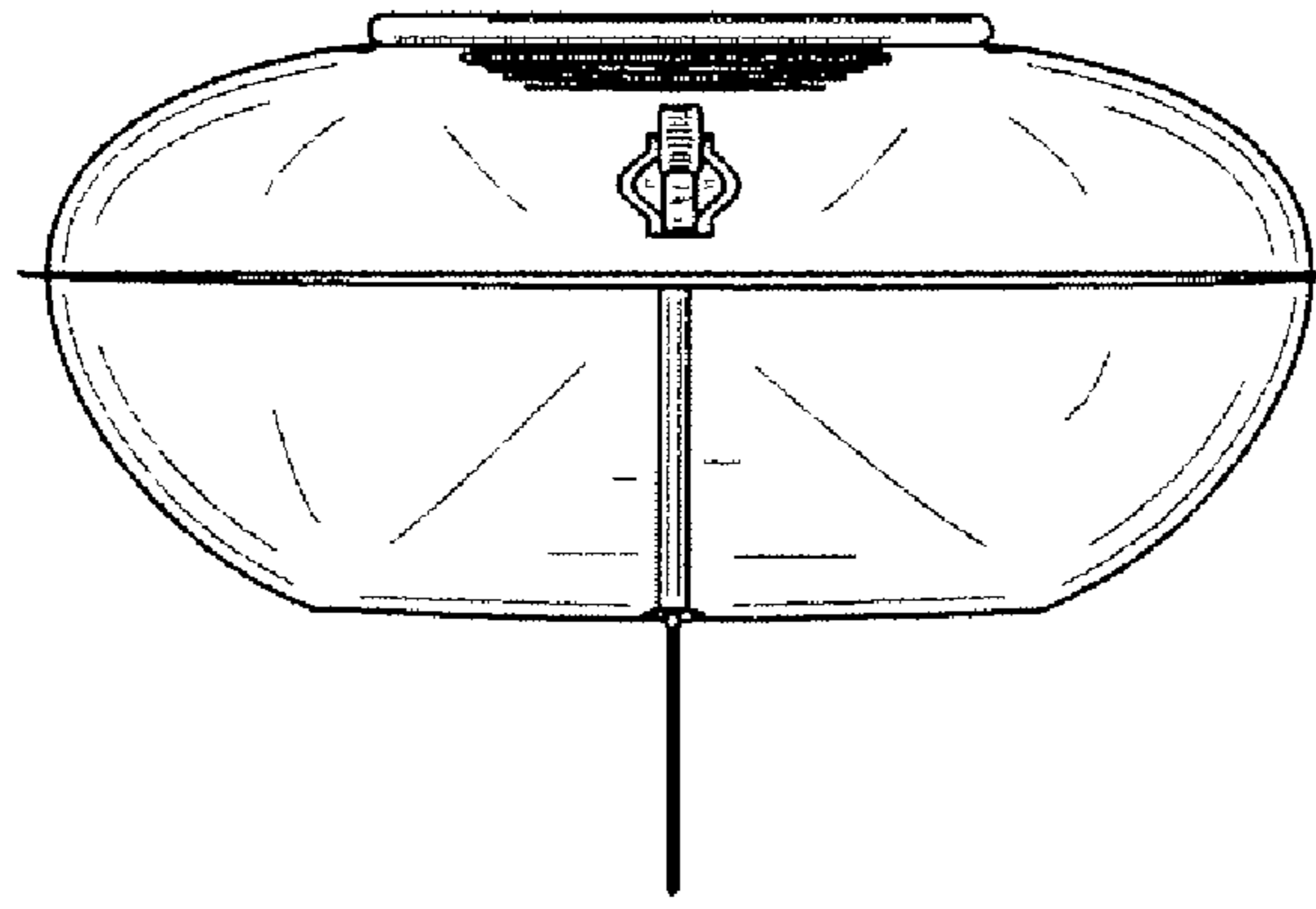


FIG. 6

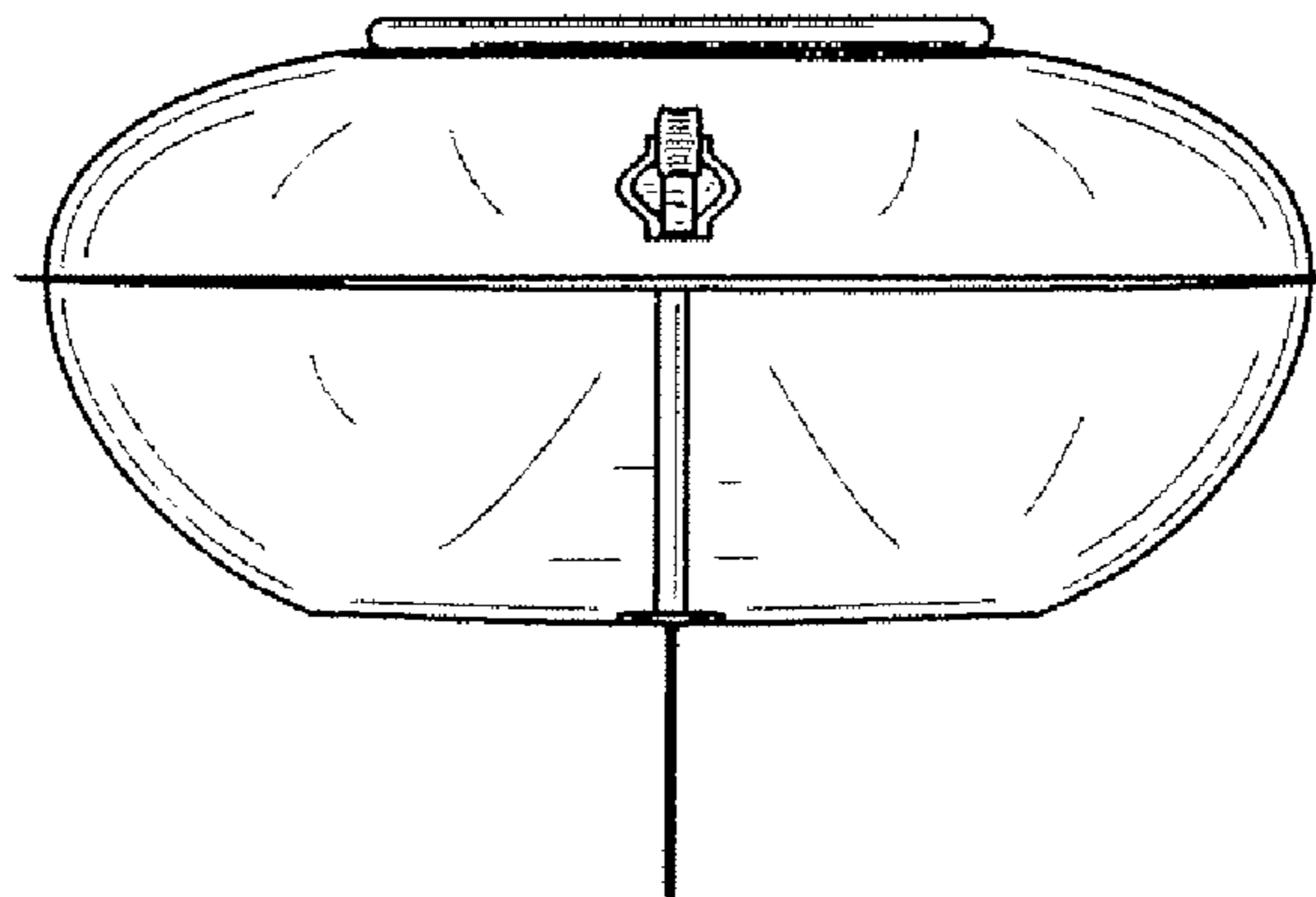


FIG. 7