

US00D569327S

(12) **United States Design Patent**
Lin

(10) **Patent No.:** **US D569,327 S**

(45) **Date of Patent:** **** May 20, 2008**

(54) **WINDSHIELD WIPER ARM CONNECTOR**

(75) Inventor: **Chin-Cheng Lin**, Bade (TW)

(73) Assignee: **LOYO Industrial Co., Ltd.**, Bade,
Taoyuan Hsien (TW)

(**) Term: **14 Years**

(21) Appl. No.: **29/299,062**

(22) Filed: **Dec. 19, 2007**

(30) **Foreign Application Priority Data**

Jun. 26, 2007 (TW) 96303523

(51) **LOC (8) Cl.** **12-16**

(52) **U.S. Cl.** **D12/220**

(58) **Field of Classification Search** D12/219-220;
15/250.451-250.454, 250.361, 250.01-250.07,
15/250.31-250.33, 250.38, 250.351, 250.4-250.42
See application file for complete search history.

(56) **References Cited**

U.S. PATENT DOCUMENTS

- D357,891 S * 5/1995 Lee D12/220
- D395,271 S * 6/1998 Kim D12/220
- D411,503 S * 6/1999 Lee D12/220
- D418,474 S * 1/2000 Witek et al. D12/220
- D478,308 S * 8/2003 Lee D12/220

- D480,679 S * 10/2003 Lee D12/220
- D540,243 S * 4/2007 Herring et al. D12/220
- D553,552 S * 10/2007 Heng D12/220
- D556,118 S * 11/2007 Claes D12/220

* cited by examiner

Primary Examiner—Stacia Cadmus

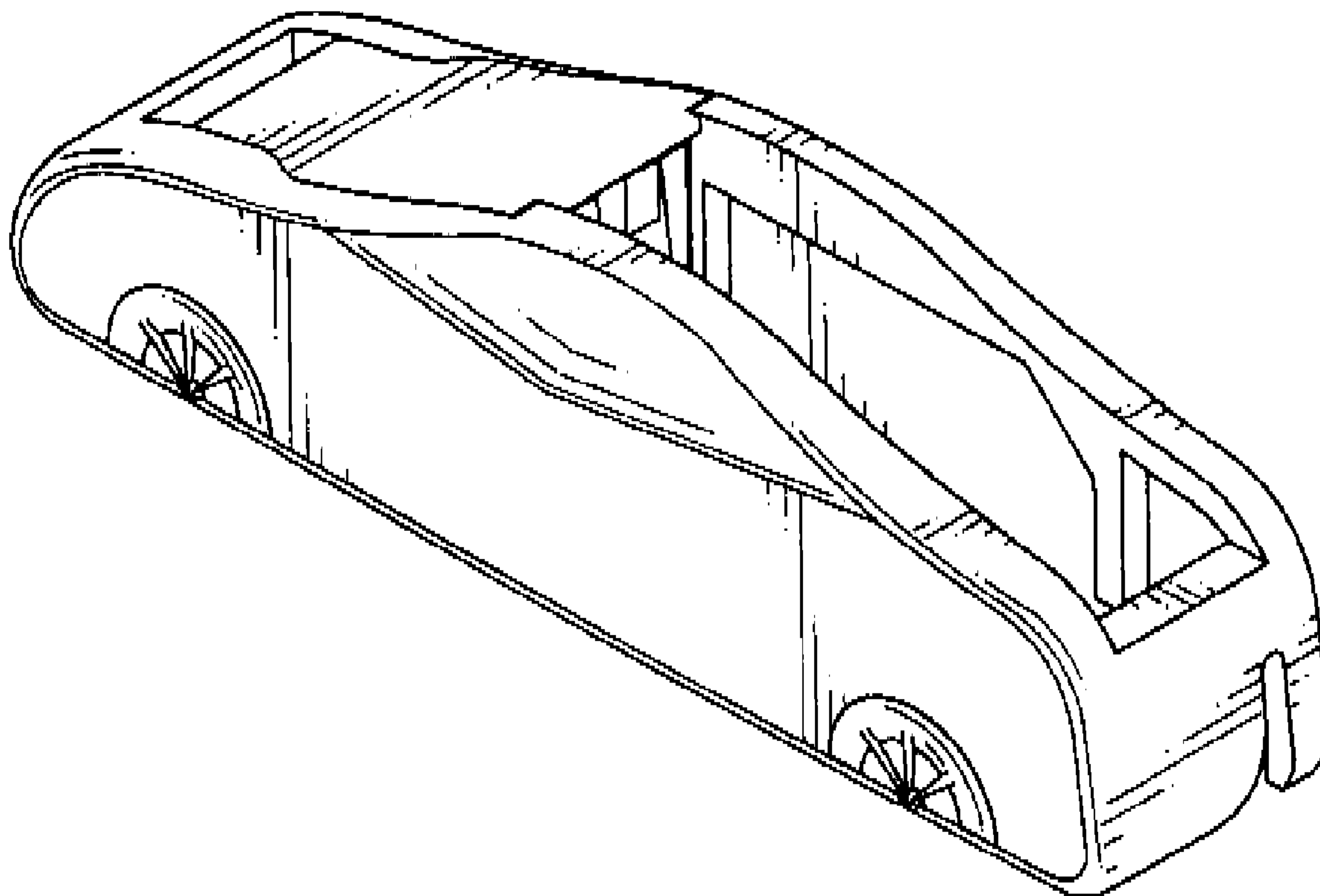
(57) **CLAIM**

The ornamental design for a windshield wiper arm connector, as shown and described.

DESCRIPTION

FIG. 1 is a perspective view of a windshield wiper arm connector showing my new design;
 FIG. 2 is a front view thereof;
 FIG. 3 is a rear view thereof;
 FIG. 4 is a left side view thereof;
 FIG. 5 is a right side view thereof;
 FIG. 6 is a top view thereof
 FIG. 7 is a bottom view thereof; and,
 FIG. 8 is a reduced perspective view of the windshield wiper arm connector shown in its position of use on a windshield wiper that is shown in broken lines forming no part of the claimed design.

1 Claim, 8 Drawing Sheets



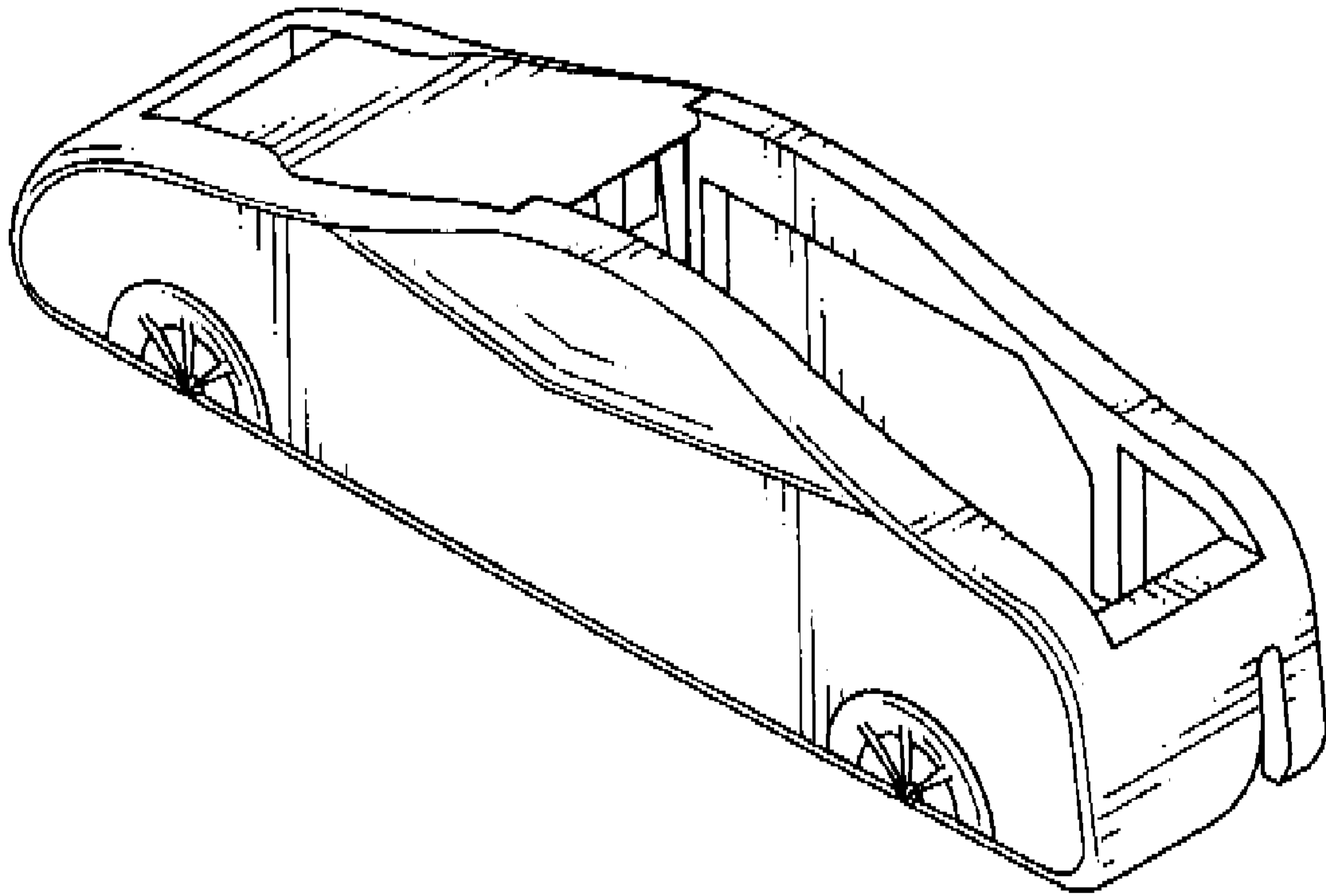


FIG. 1

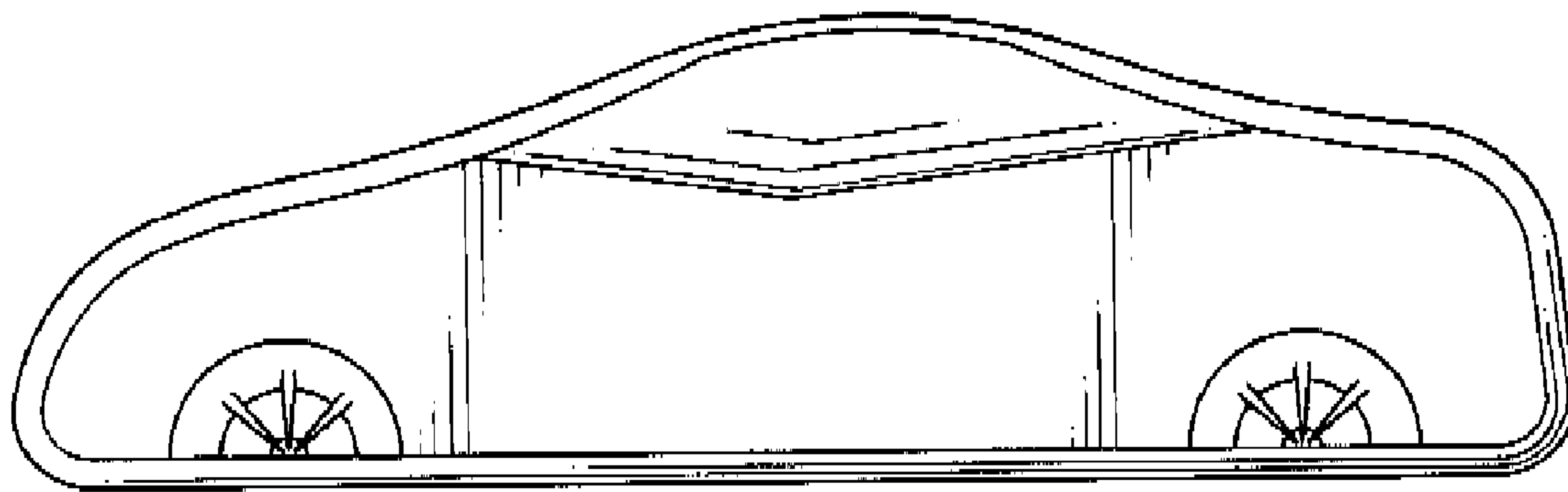


FIG.2

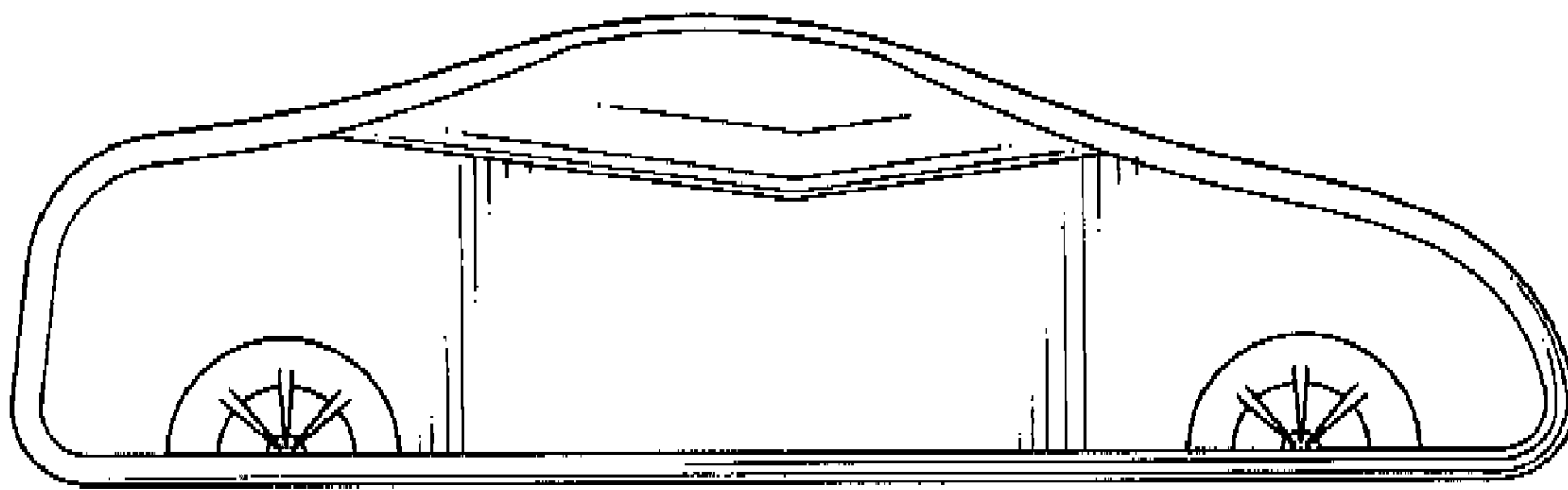


FIG.3

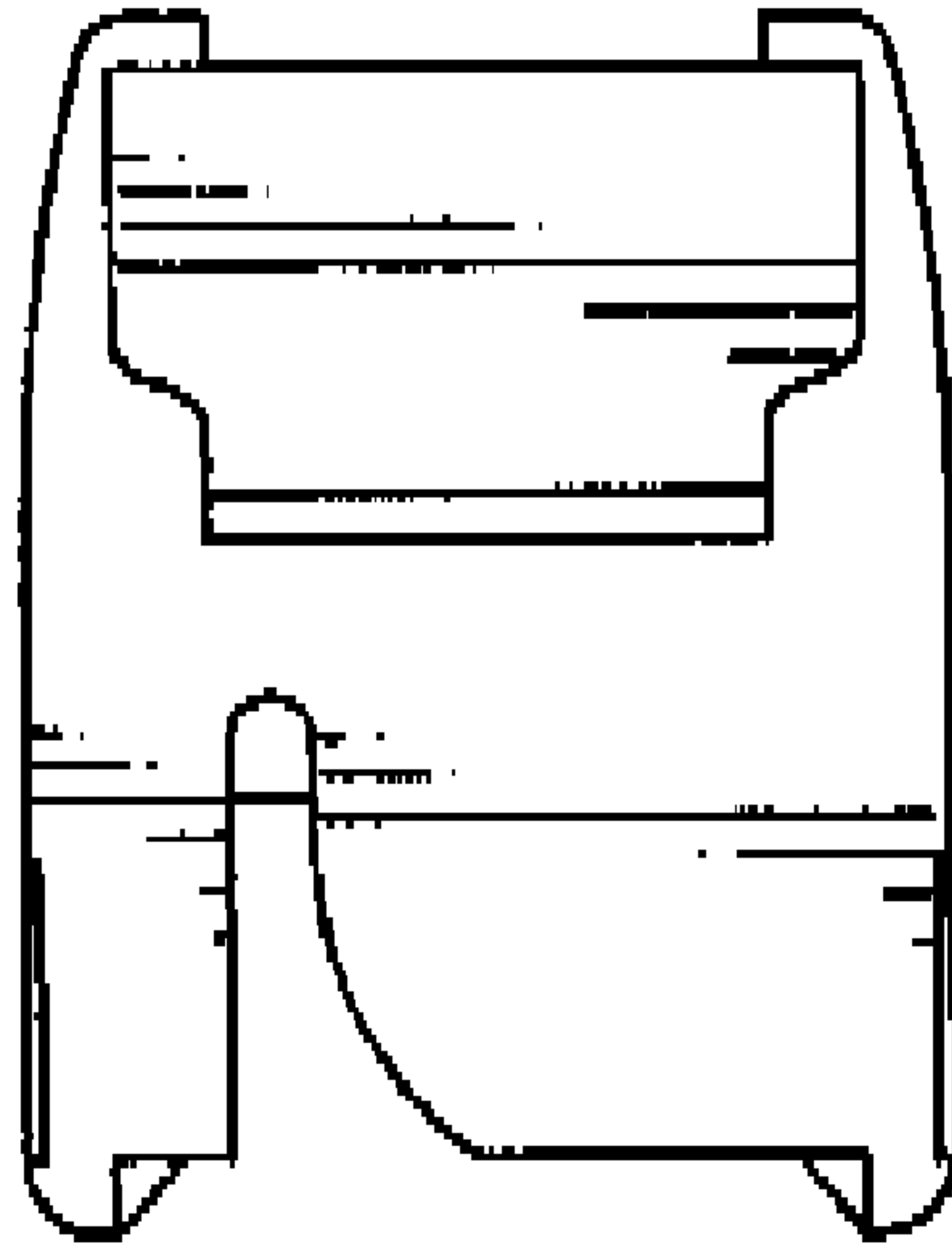


FIG.4

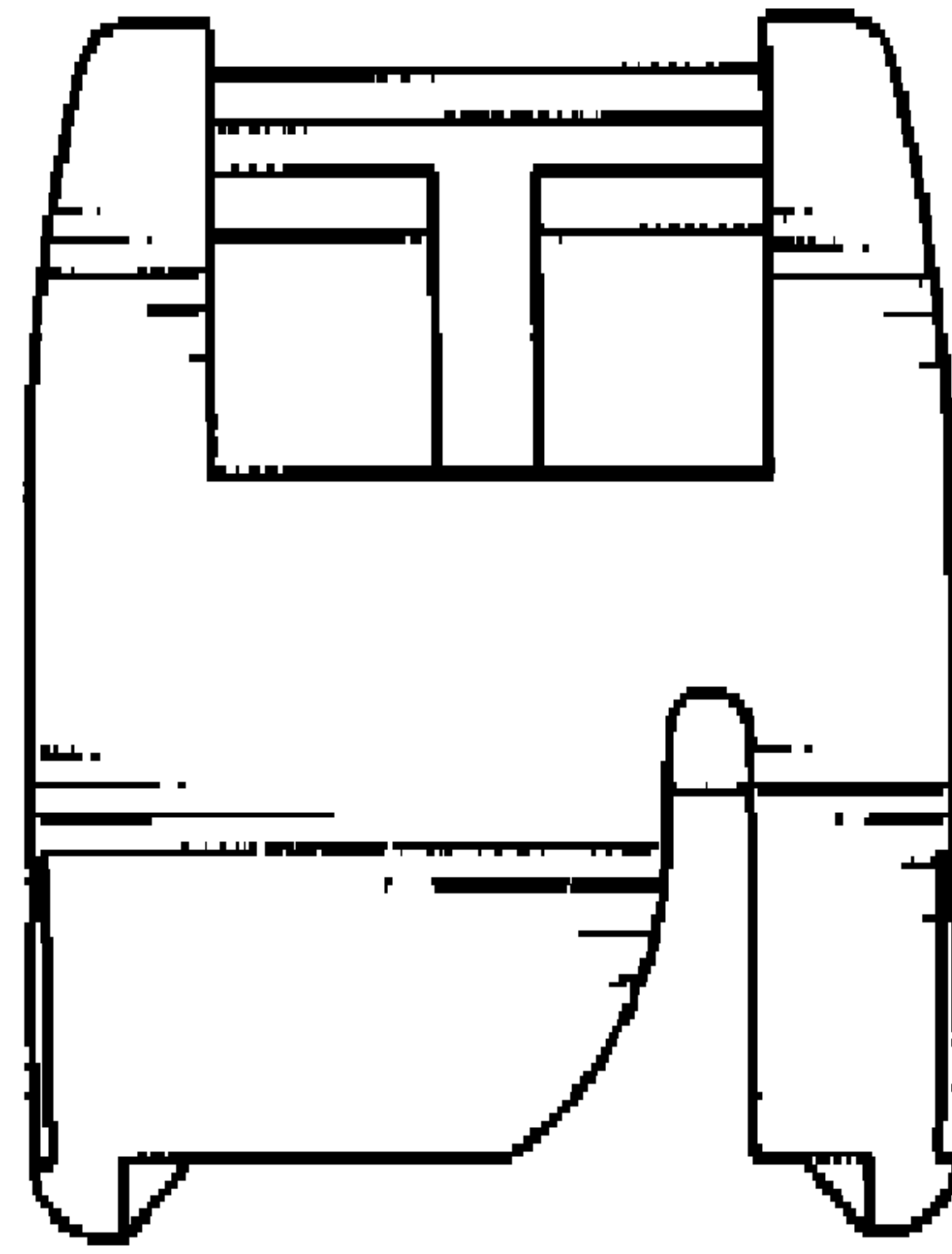


FIG.5

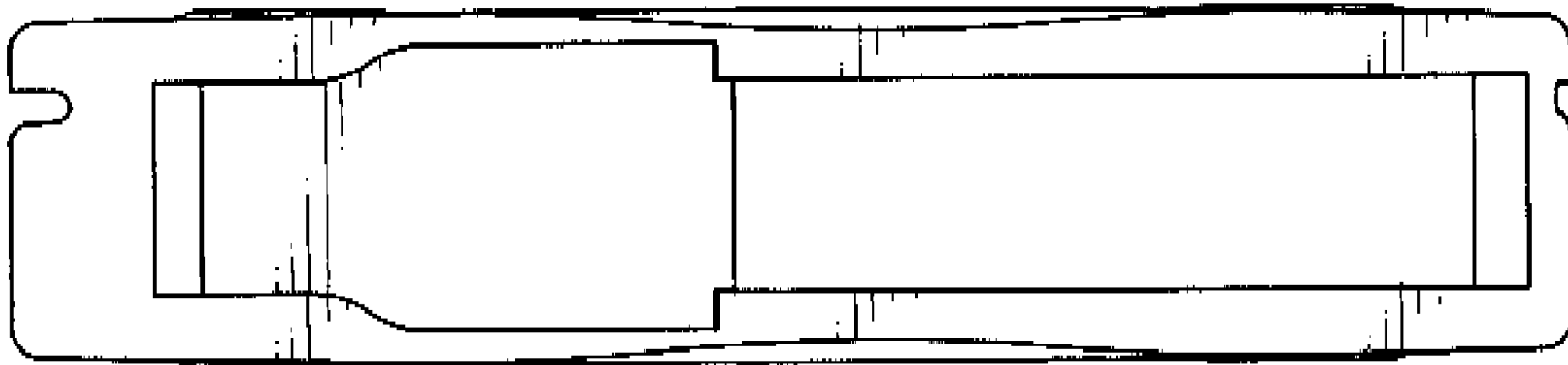


FIG.6

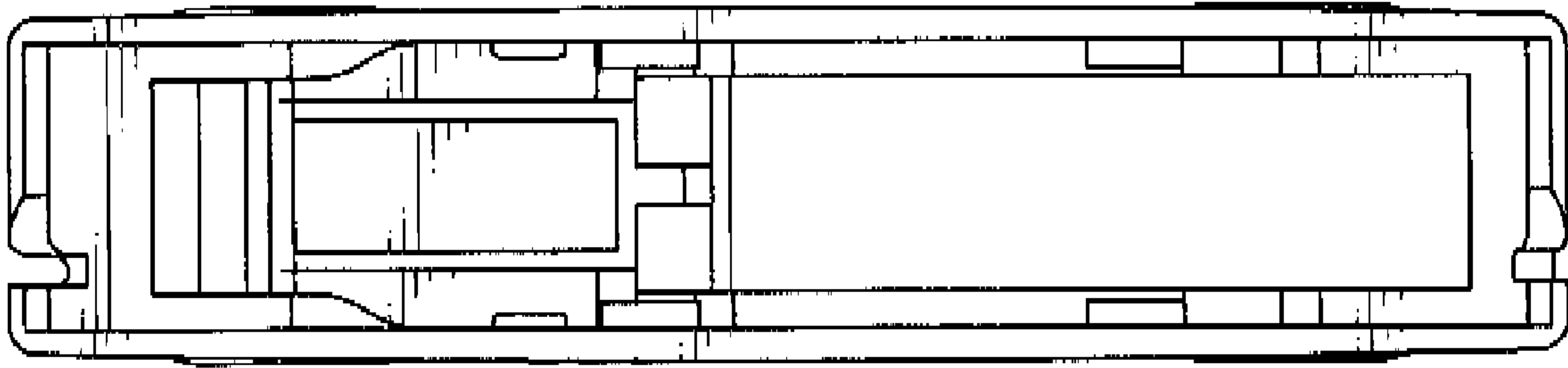


FIG.7

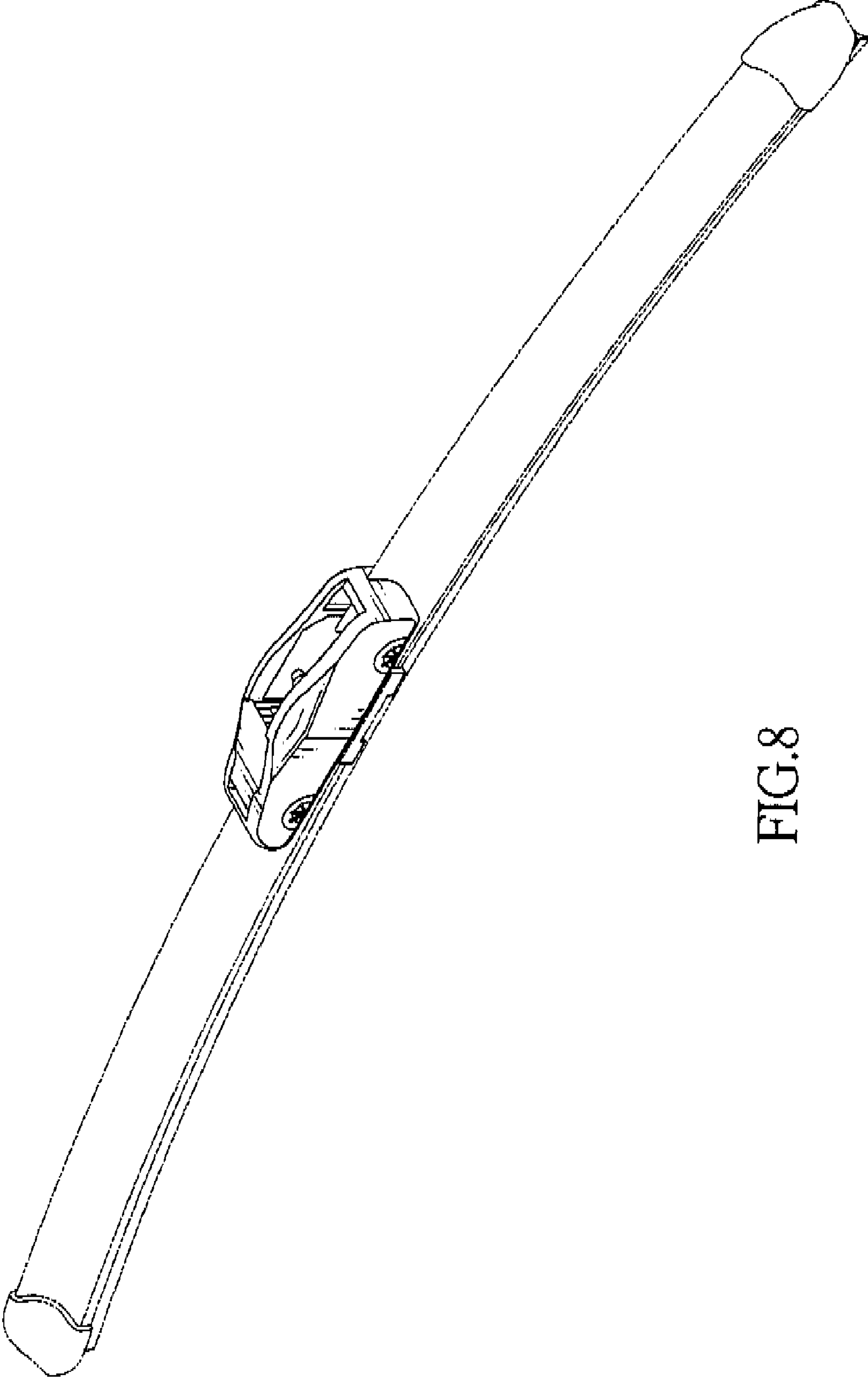


FIG.8