



US00D569326S

(12) **United States Design Patent**
Biosca-Munt et al.

(10) **Patent No.:** **US D569,326 S**

(45) **Date of Patent:** **** May 20, 2008**

(54) **COMPONENT OF A WINDSCREEN WIPER**

(75) Inventors: **Josep Biosca-Munt**, Barcelona (ES);
Carlos Chicon-Montoya, Barcelona
(ES)

(73) Assignee: **Doga, S.A.**, Barcelona (ES)

(**) Term: **14 Years**

(21) Appl. No.: **29/298,816**

(22) Filed: **Dec. 13, 2007**

(51) **LOC (8) Cl.** **12-06**

(52) **U.S. Cl.** **D12/220**

(58) **Field of Classification Search** D12/219-220;
15/250.451-250.454, 250.48, 250.361, 250.05-250.07,
15/250.31-250.33, 250.351, 250.4-250.42,
15/250.38

See application file for complete search history.

(56) **References Cited**

U.S. PATENT DOCUMENTS

D353,358 S * 12/1994 Lee D12/220

D404,354 S * 1/1999 Witek et al. D12/220

D418,474 S * 1/2000 Witek et al. D12/220

D444,760 S * 7/2001 Houssat et al. D12/220

D478,308 S * 8/2003 Lee D12/220

D480,679 S * 10/2003 Lee D12/220

D540,243 S * 4/2007 Herring et al. D12/220

D553,552 S * 10/2007 Heng D12/220

* cited by examiner

Primary Examiner—Stacia Cadmus

(74) *Attorney, Agent, or Firm*—Gifford, Krass, Sprinkle,
Anderson & Citkowski, P.C.

(57) **CLAIM**

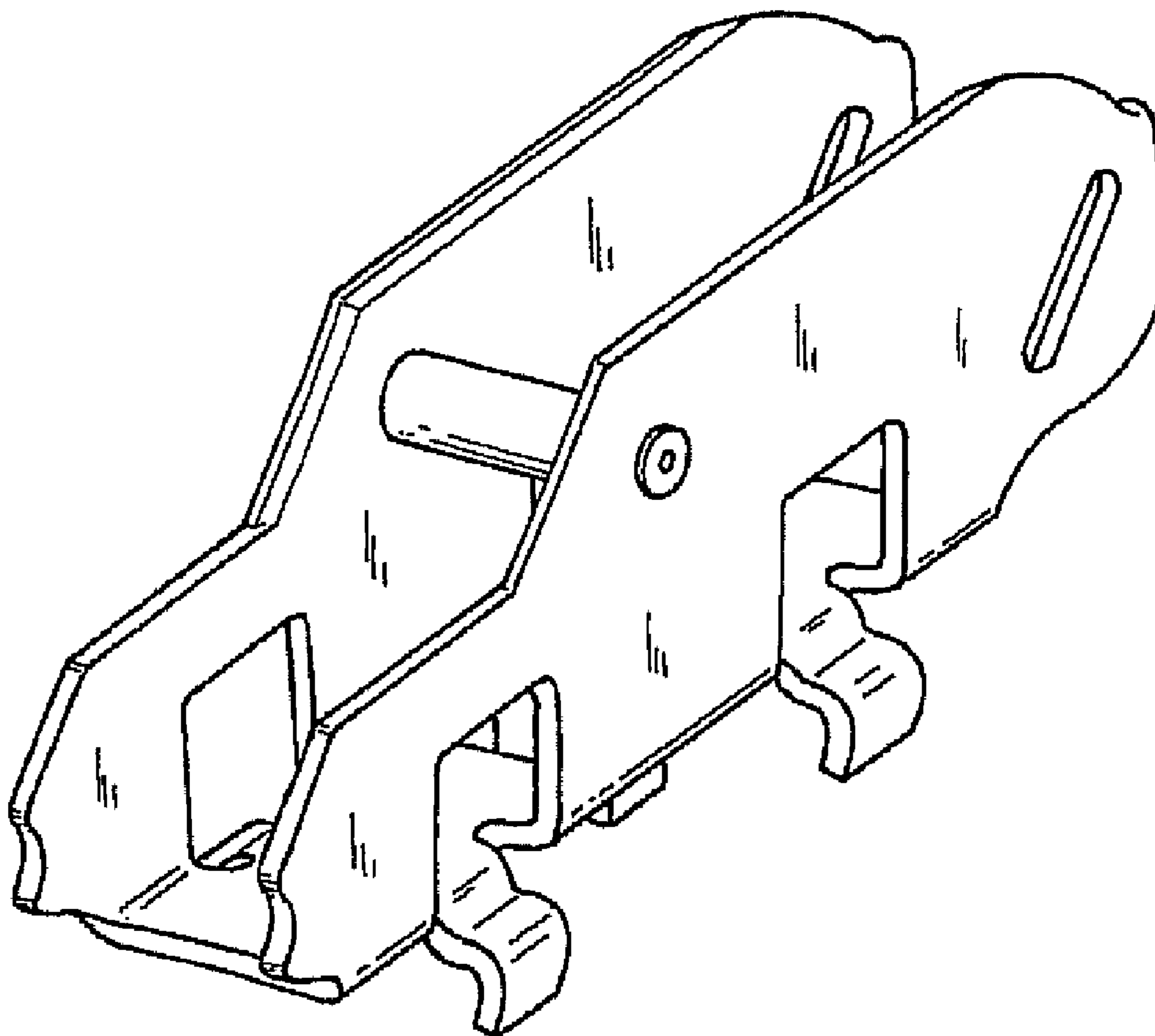
We claim the ornamental design for a component of a
windscreen wiper, as shown and described.

DESCRIPTION

FIG. 1 is a top perspective view of a component of a
windscreen wiper of the present invention; and,

FIG. 2 is a bottom perspective view thereof.

1 Claim, 2 Drawing Sheets



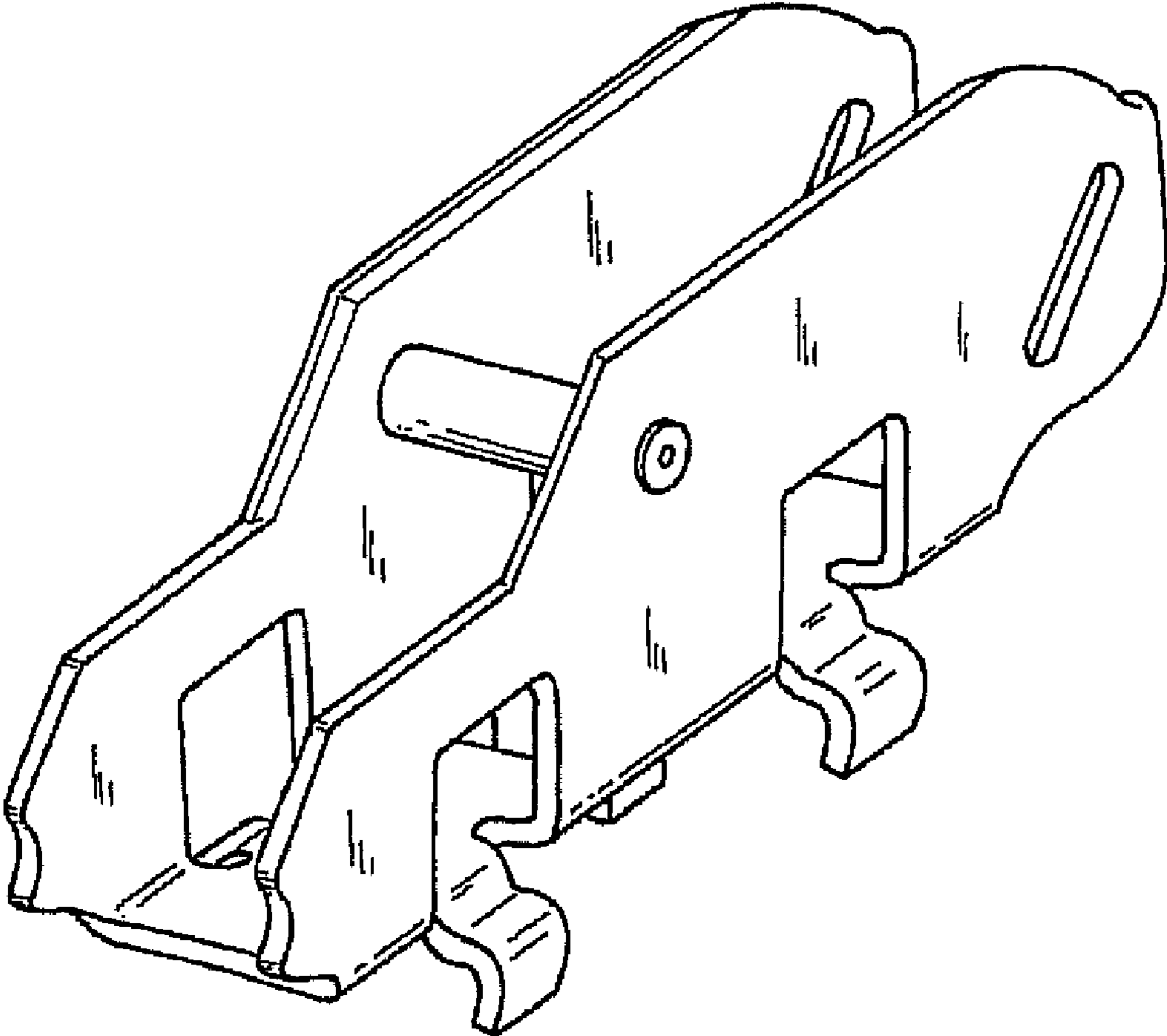


Fig. 1

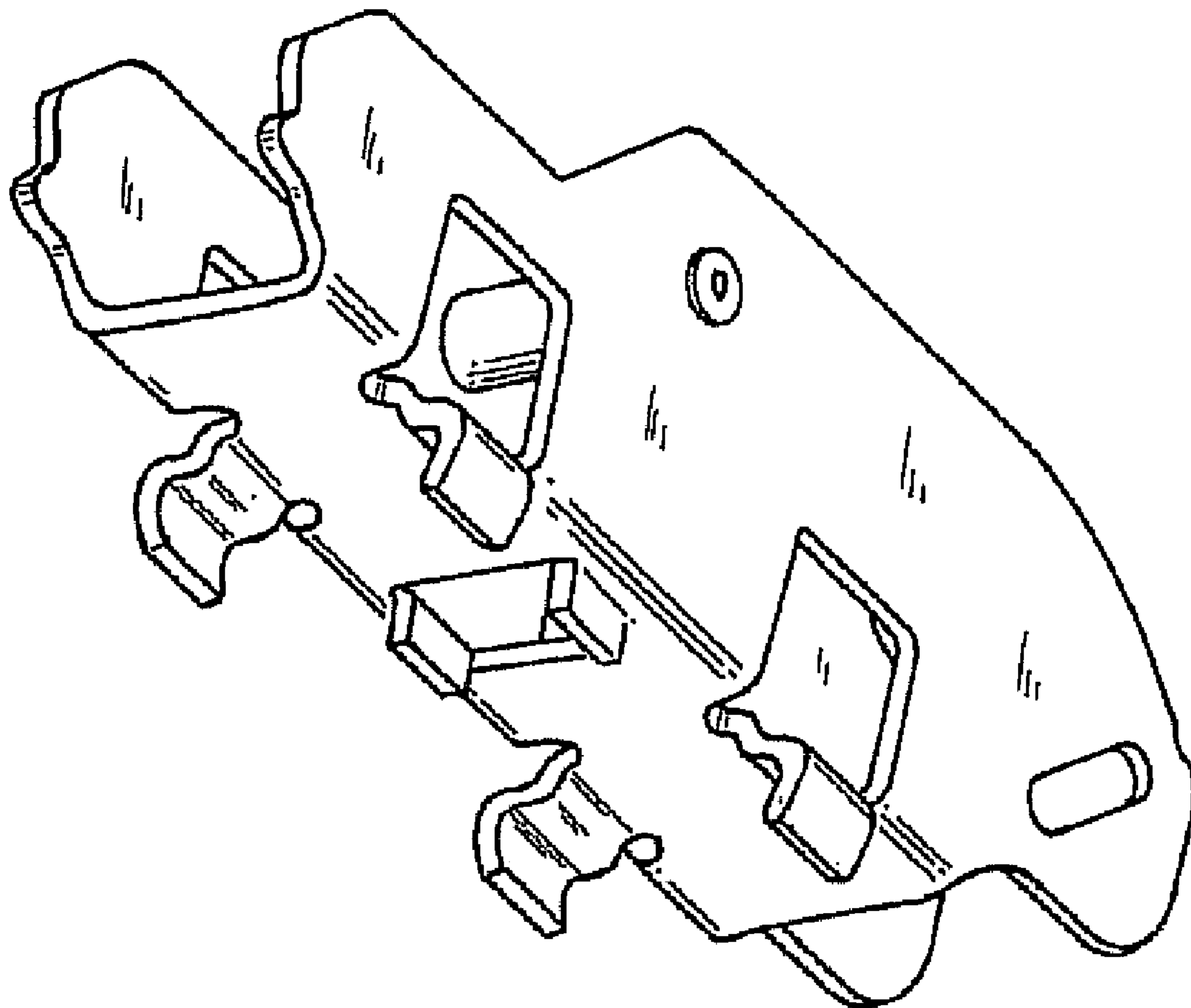


Fig. 2