



US00D569324S

(12) **United States Design Patent**
Gosnell et al.

(10) **Patent No.:** **US D569,324 S**

(45) **Date of Patent:** **** May 20, 2008**

(54) **VEHICLE WHEEL COVER**

(76) Inventors: **Charles Gosnell**, 417 N. Chapelgate
La., Baltimore, MD (US) 21229;
Charles Frock, Jr., 15 Glyndale Ct.,
Reisterstown, MD (US) 21136

(**) Term: **14 Years**

(21) Appl. No.: **29/247,105**

(22) Filed: **May 31, 2006**

(51) **LOC (8) Cl.** **12-16**

(52) **U.S. Cl.** **D12/213**

(58) **Field of Classification Search** D12/213,
D12/209, 204; 294/131; D7/387, 358, 391-392.1;
301/108.1-108.5, 37.103, 37.101, 37.21,
301/37.39, 37.31, 37.42, 37.104; 15/257.01;
118/505; 220/908, 912

See application file for complete search history.

(56) **References Cited**

U.S. PATENT DOCUMENTS

D160,648 S * 10/1950 Muller-Munk D7/391
D160,649 S * 10/1950 Muller-Munk D7/391
4,874,206 A 10/1989 Sampson
D374,793 S * 10/1996 Eickel D7/391
D379,172 S * 5/1997 Hale D12/213

D390,181 S 2/1998 Morrison
6,068,345 A 5/2000 Bressie
D434,714 S * 12/2000 White D12/213
D486,438 S * 2/2004 Tuck et al. D12/213
D490,762 S * 6/2004 Layman D12/213
D491,874 S * 6/2004 Cook D12/213
D504,652 S * 5/2005 Woodberry D12/213
D528,963 S * 9/2006 Horn D12/213

* cited by examiner

Primary Examiner—Robert M. Spear

Assistant Examiner—Katrina A Kile

(57) **CLAIM**

The ornamental design for a vehicle wheel cover, as shown and described.

DESCRIPTION

FIG. 1 is a top plan view of a vehicle wheel cover showing my new design;

FIG. 2 is a rear elevational view thereof;

FIG. 3 is a front elevational view thereof;

FIG. 4 is a left side elevational thereof;

FIG. 5 is a right side elevational thereof; and,

FIG. 6 is a enlarged perspective view thereof.

1 Claim, 2 Drawing Sheets

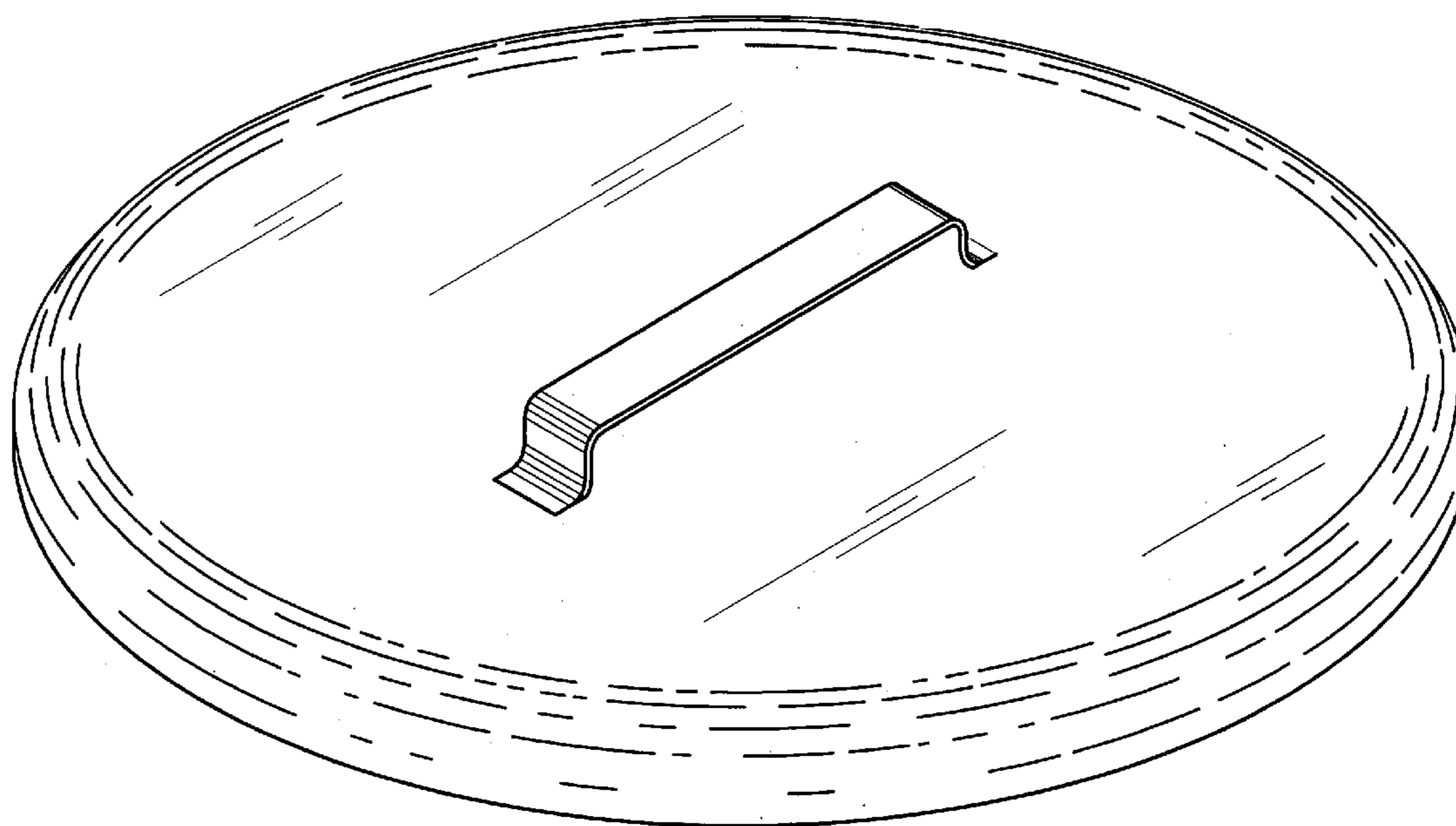




FIG. 3



FIG. 4

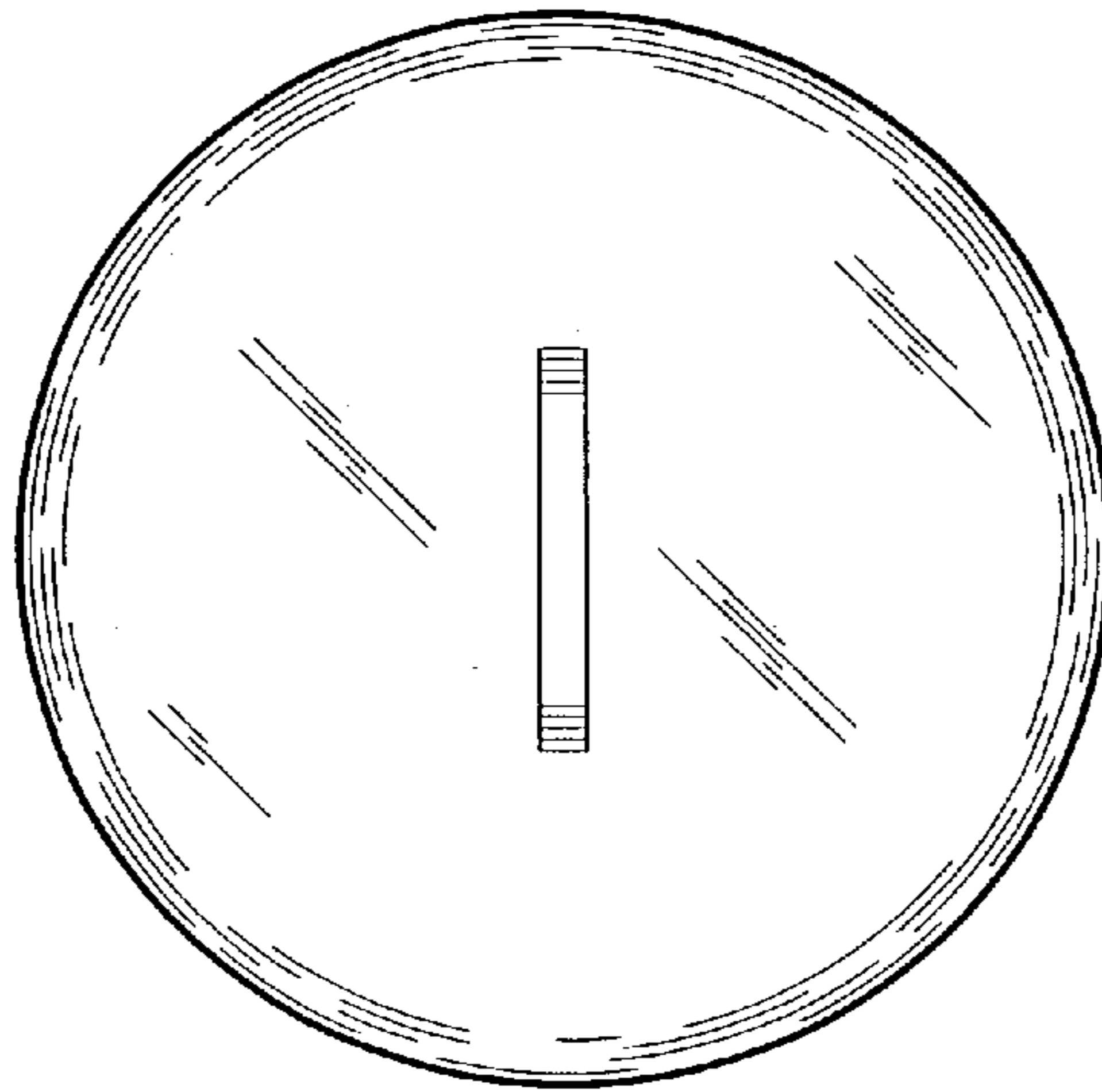


FIG. 1

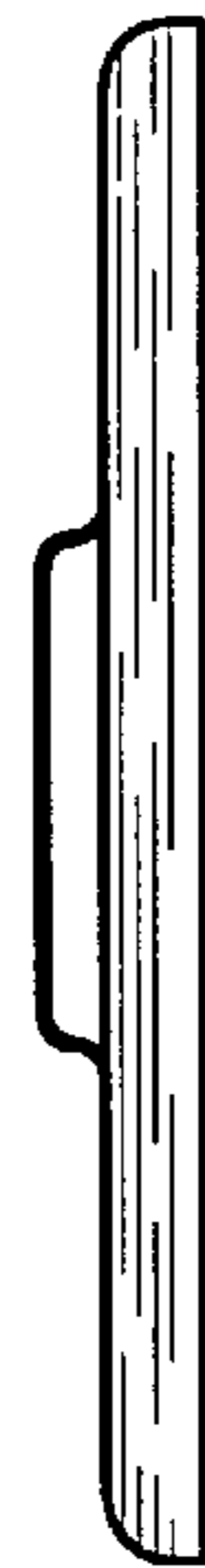


FIG. 2

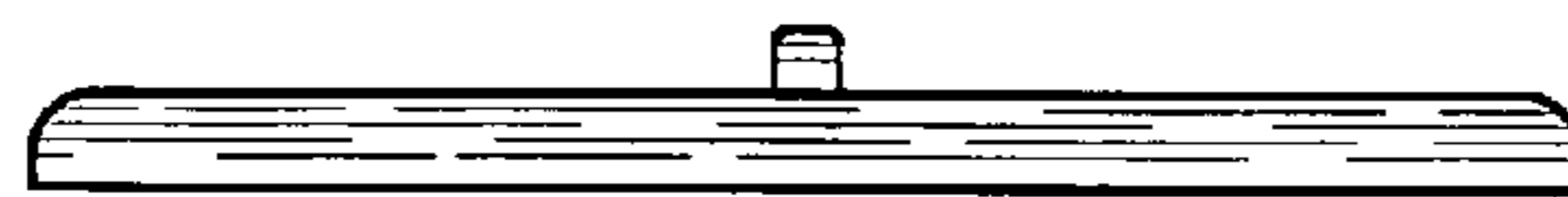


FIG. 5

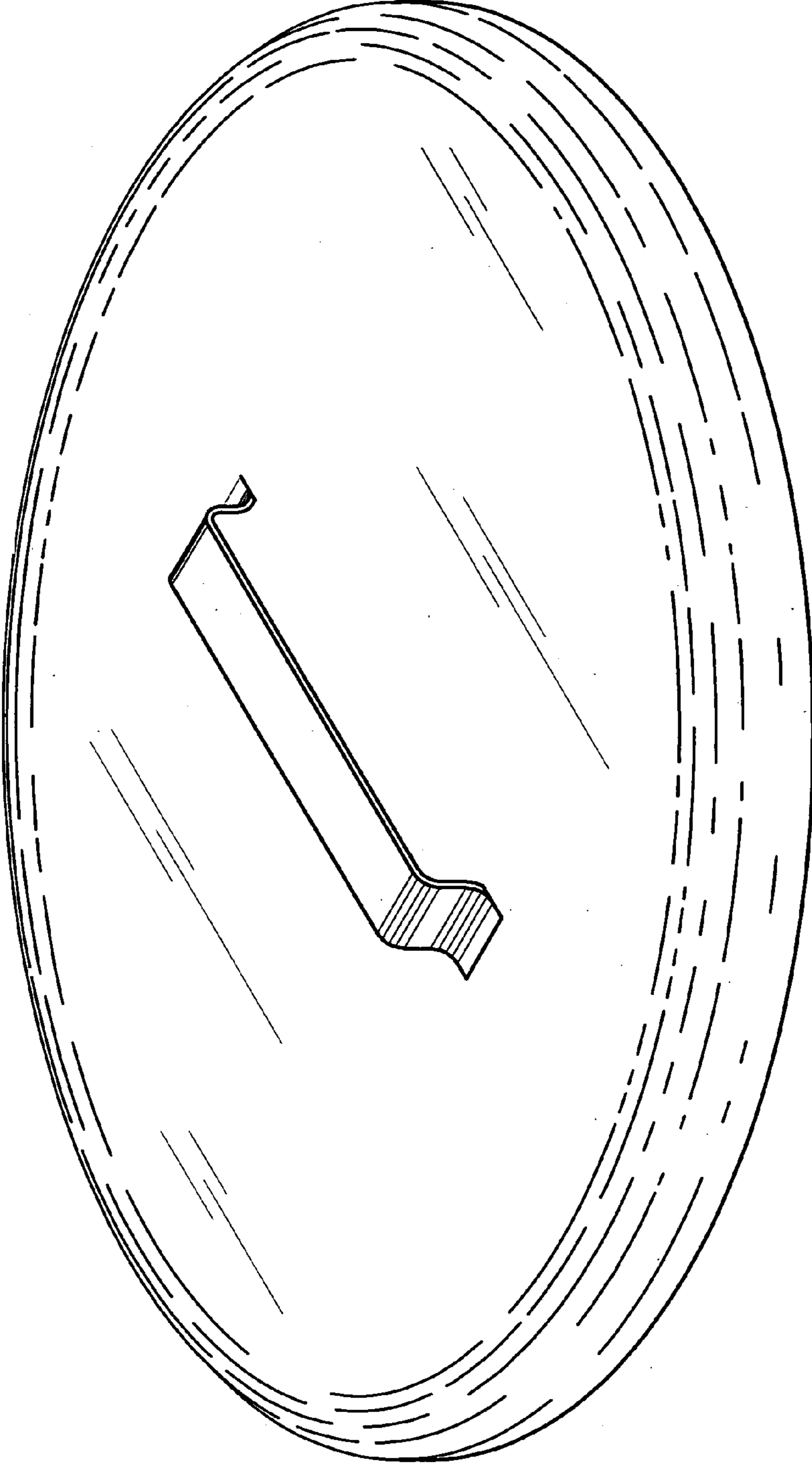


FIG. 6