



US00D569320S

(12) **United States Design Patent**  
**Cortes**

(10) **Patent No.:** **US D569,320 S**

(45) **Date of Patent:** **\*\* May 20, 2008**

(54) **WHEEL**

(75) Inventor: **Juan Cortes**, Riverside, CA (US)

(73) Assignee: **Wheel Pros, Inc.**, Lakewood, CO (US)

(\*\*) Term: **14 Years**

(21) Appl. No.: **29/283,950**

(22) Filed: **Aug. 28, 2007**

(51) **LOC (8) Cl.** ..... **12-16**

(52) **U.S. Cl.** ..... **D12/209**

(58) **Field of Classification Search** ..... D12/204–213;  
301/37.101, 64.101, 65, 64.201

See application file for complete search history.

(56) **References Cited**

U.S. PATENT DOCUMENTS

D414,154 S *	9/1999	Carter	.....	D12/209
D452,470 S *	12/2001	Gabath	.....	D12/209
D455,700 S *	4/2002	Foose	.....	D12/209
D466,065 S *	11/2002	Lee	.....	D12/209
D466,465 S *	12/2002	Kim	.....	D12/209
D471,501 S *	3/2003	McMath	.....	D12/209
D484,445 S *	12/2003	Chu	.....	D12/209
D491,870 S *	6/2004	Kim	.....	D12/209
D495,651 S *	9/2004	Chung	.....	D12/209
D496,318 S *	9/2004	Cheng	.....	D12/209
D500,276 S *	12/2004	Cheng	.....	D12/209
D500,722 S *	1/2005	Hussaini et al.	.....	D12/209
D501,174 S *	1/2005	Kataoka	.....	D12/209
D509,176 S *	9/2005	Kataoka	.....	D12/209
D516,986 S *	3/2006	Karagozlu	.....	D12/209
D519,906 S *	5/2006	Long	.....	D12/209

D522,435 S *	6/2006	Long	.....	D12/209
D522,438 S *	6/2006	Kern	.....	D12/209
D524,709 S *	7/2006	Long	.....	D12/209
D553,549 S *	10/2007	Martin	.....	D12/209

\* cited by examiner

*Primary Examiner*—Stacia Cadmus

(74) *Attorney, Agent, or Firm*—Garcia-Zamor IP Law; Ruy M. Garcia-Zamor

(57) **CLAIM**

The ornamental design for a wheel, as shown and described.

**DESCRIPTION**

FIG. 1 is a perspective view of a wheel according to a first preferred embodiment of my new design;

FIG. 2 is a front elevational view of the wheel of FIG. 1;

FIG. 3 is a left side elevational view of the wheel of FIG. 1, the right side elevational view being a mirror image thereof;

FIG. 4 is a top plan view of the wheel of FIG. 1, the bottom plan view being a mirror image thereof;

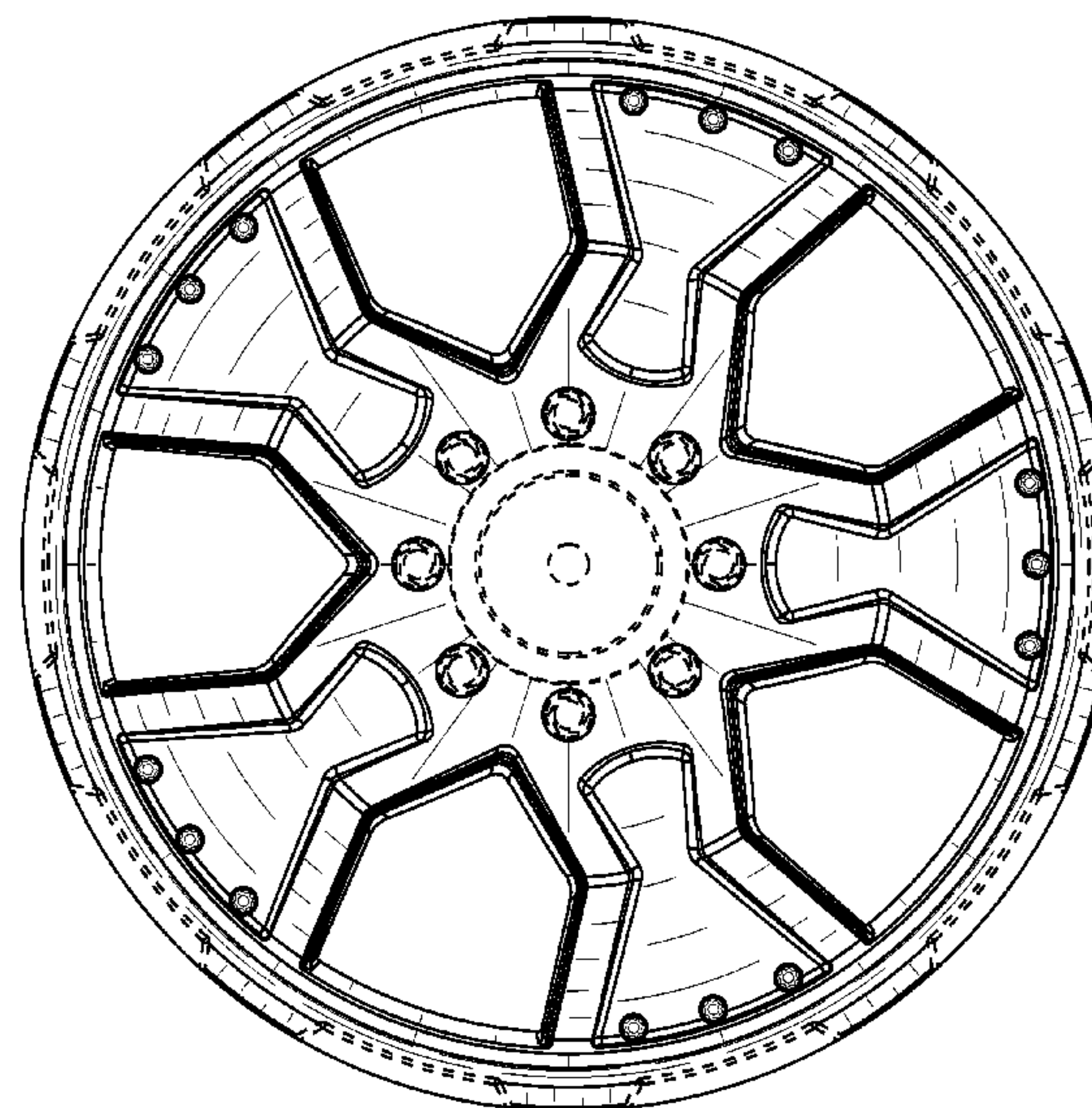
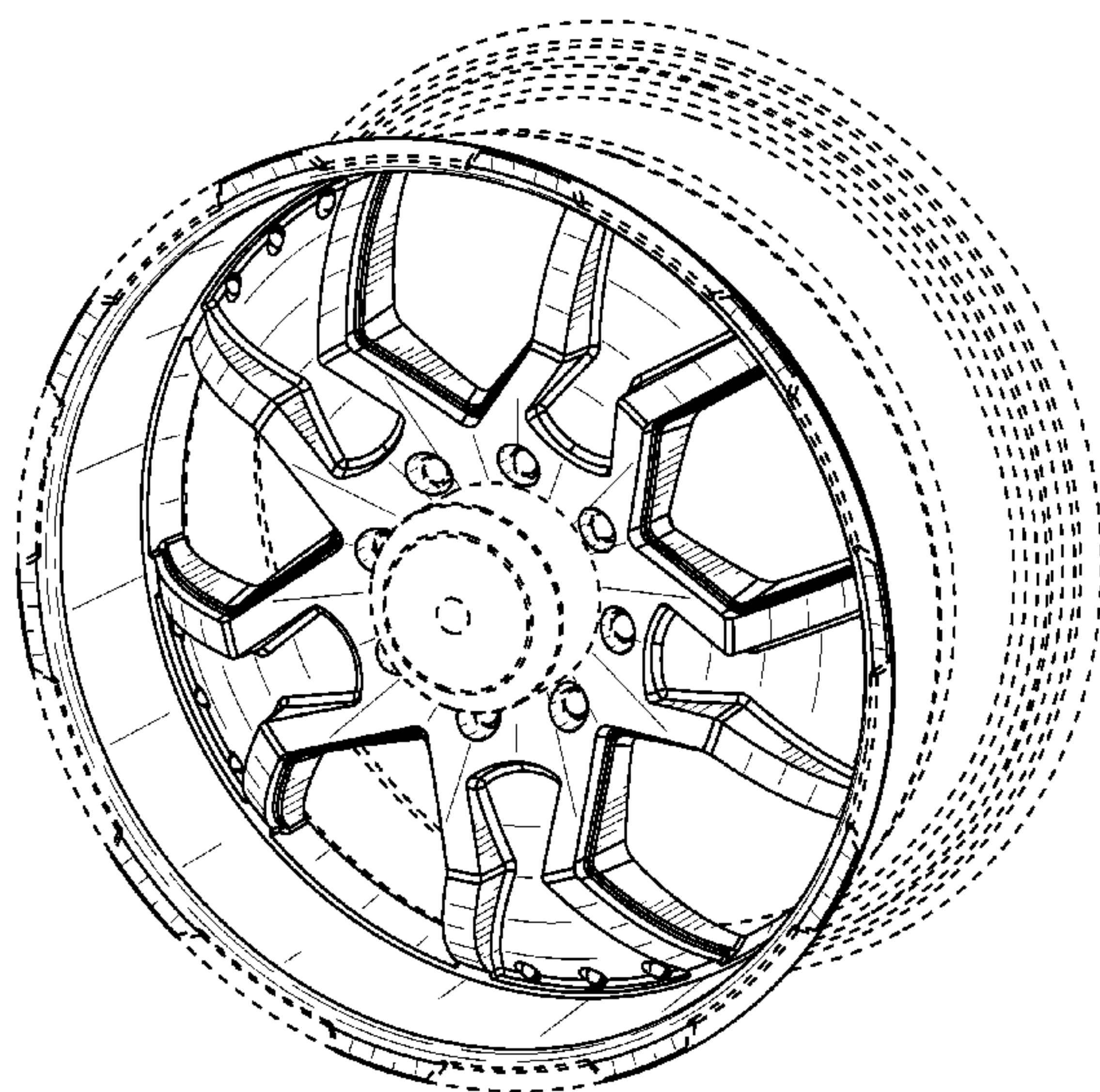
FIG. 5 is a rear elevational view of the wheel of FIG. 1;

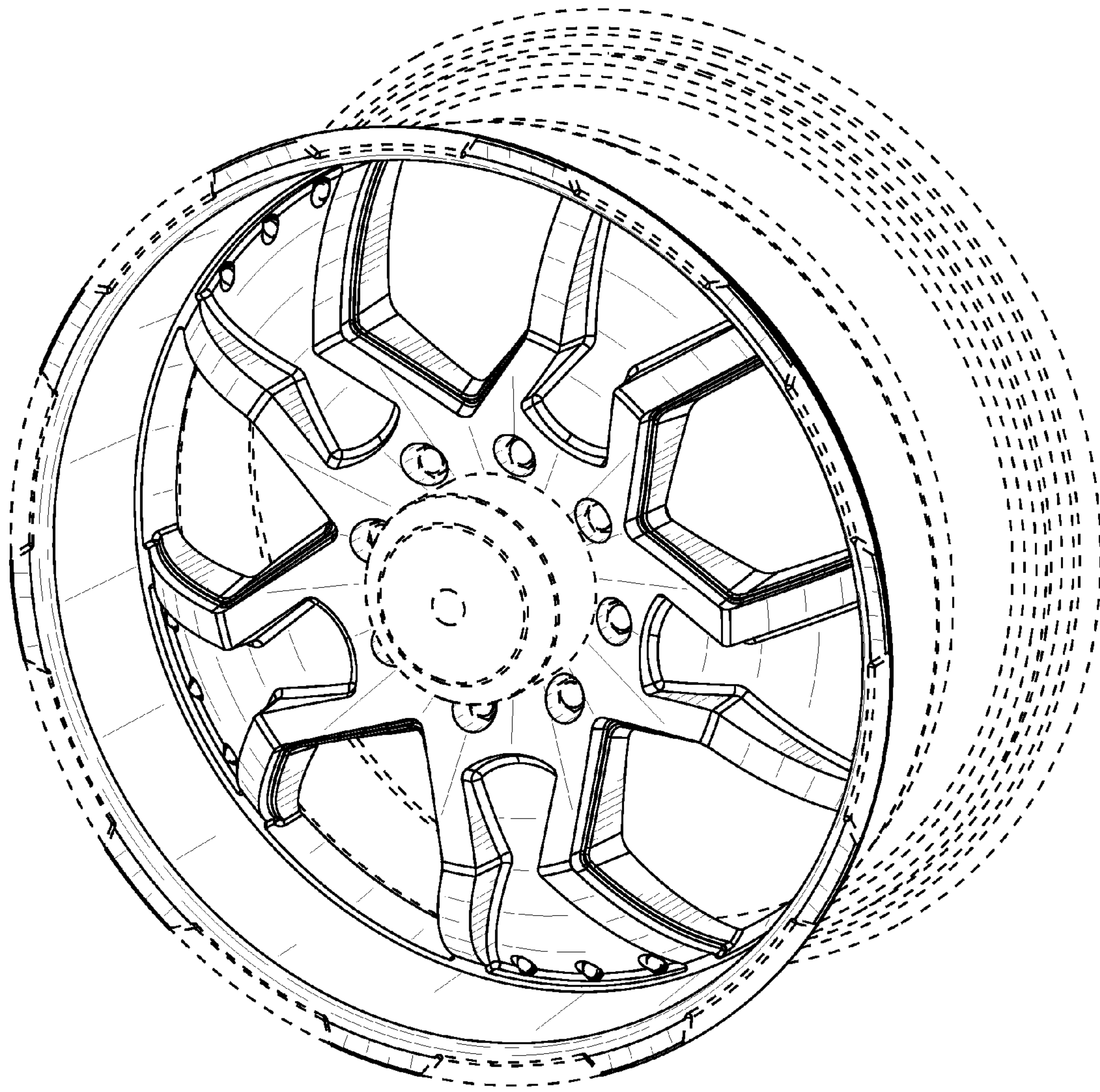
FIG. 6 is a perspective view of a wheel according to a second preferred embodiment of my new design; and,

FIG. 7 is a front elevational view of the wheel of FIG. 6; Portions of the wheel not shown in FIGS. 6 and 7 are disclaimed as forming no part of the claimed design.

The broken lines in FIGS. 1–7 represent environment and are for illustrative purposes only and do not constitute part of the claimed design.

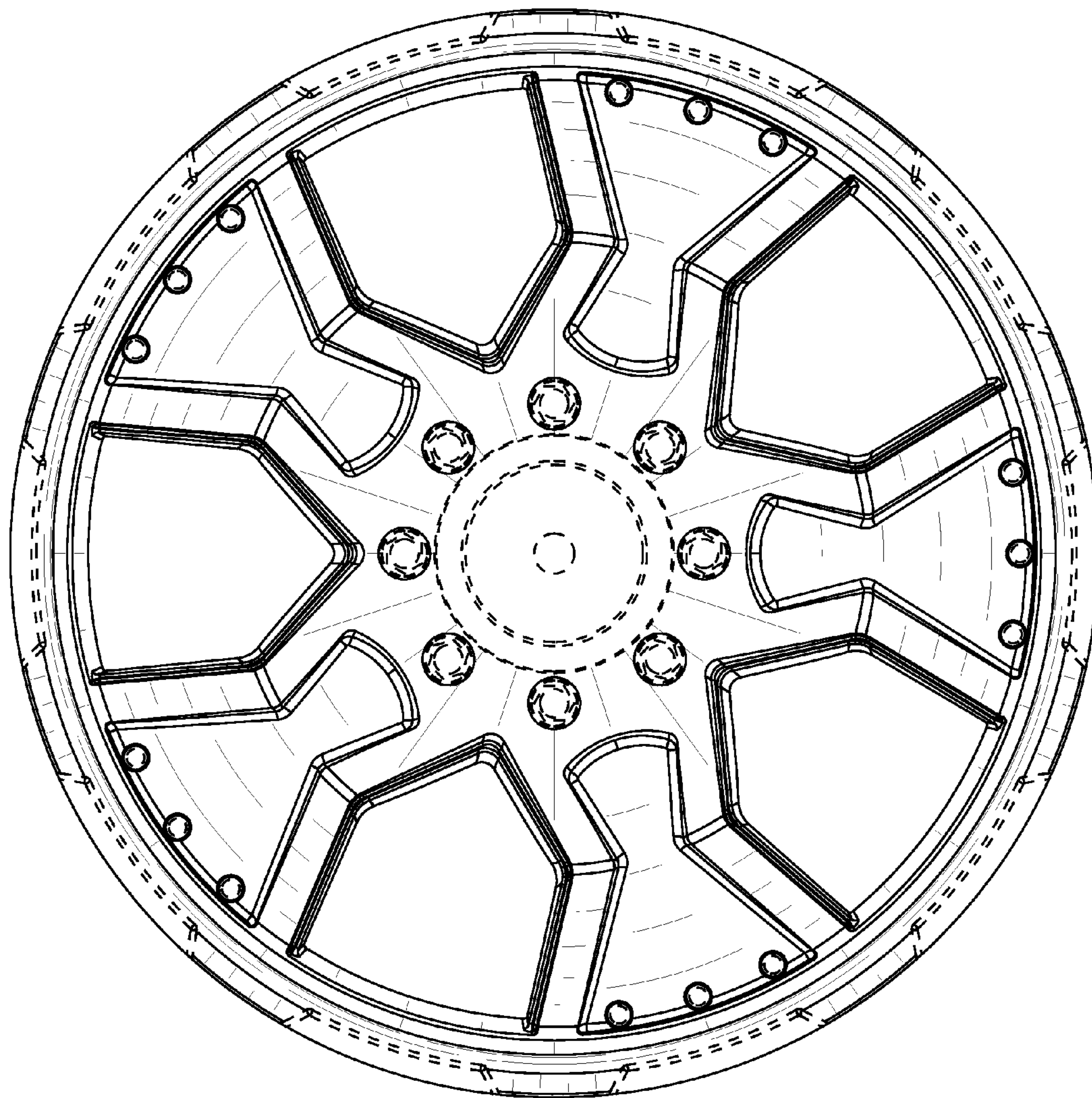
**1 Claim, 7 Drawing Sheets**



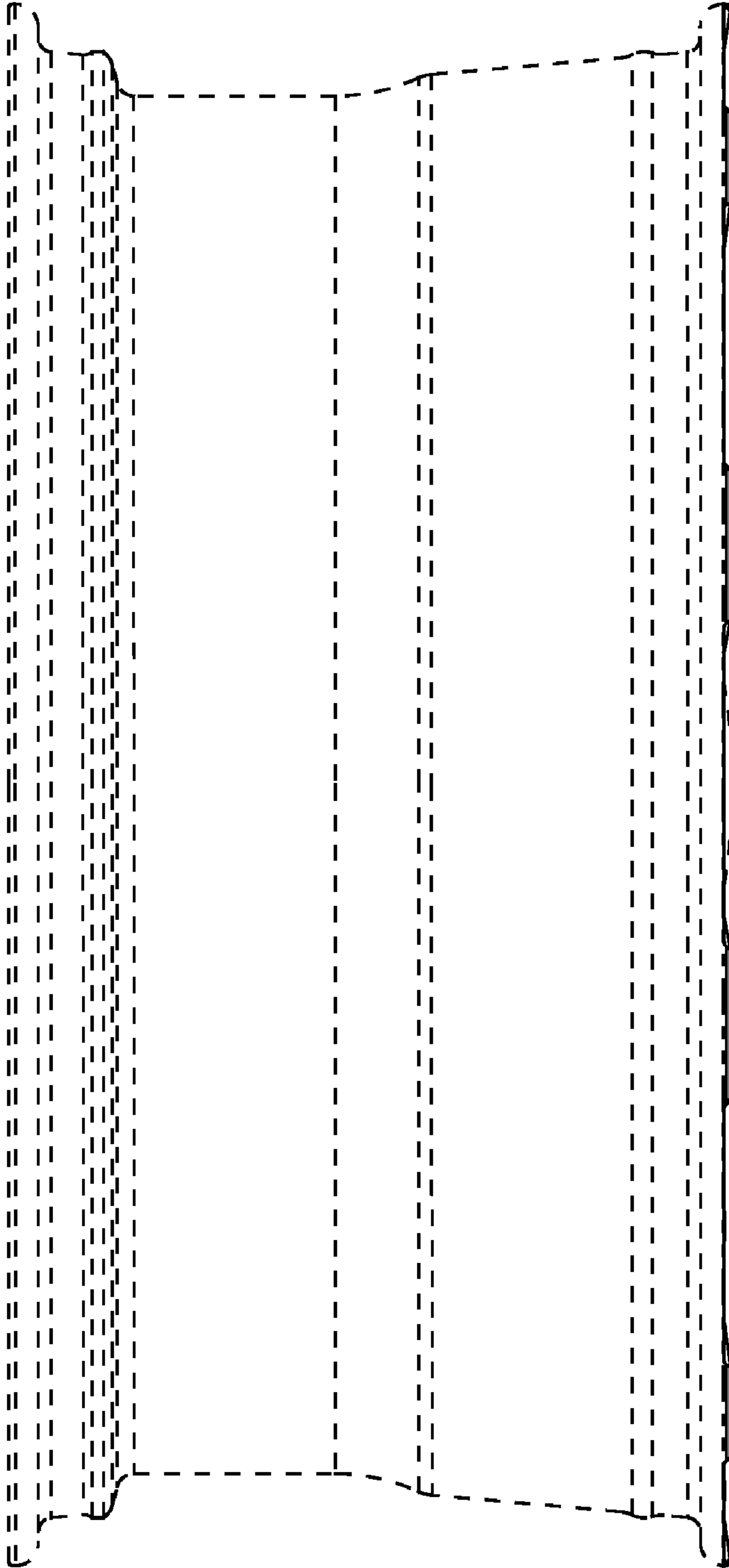


**FIG. 1**

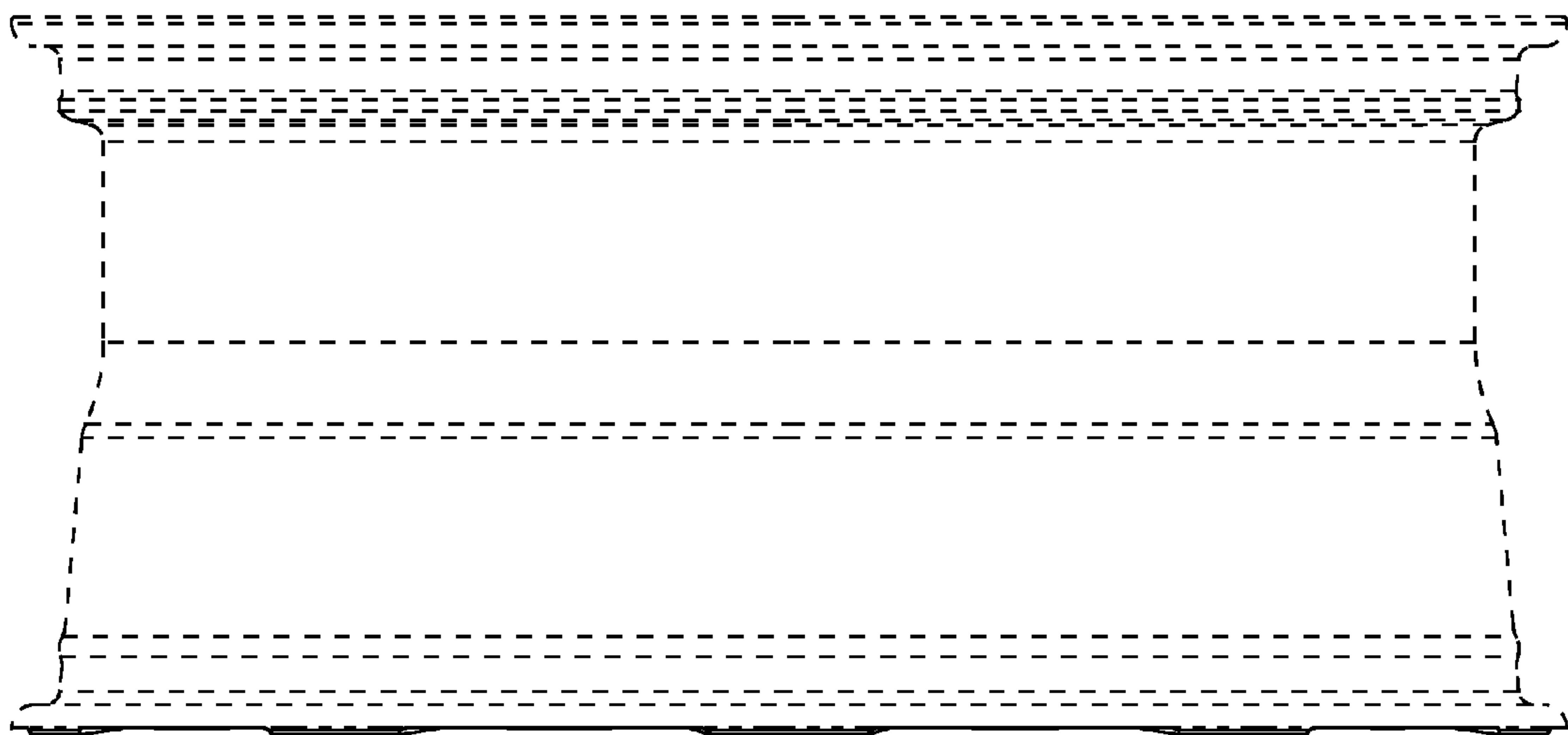




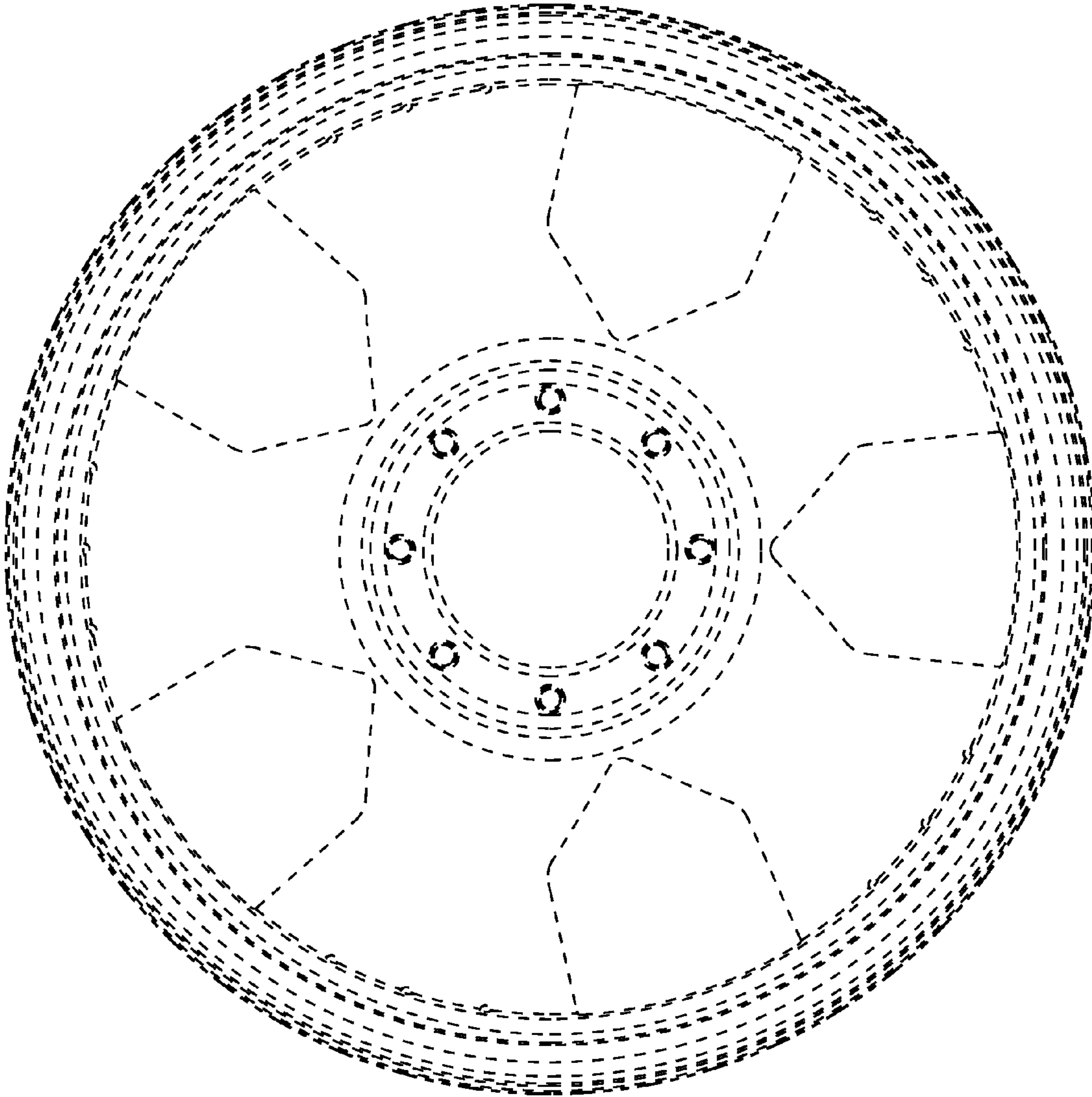
**FIG. 2**



**FIG. 3**

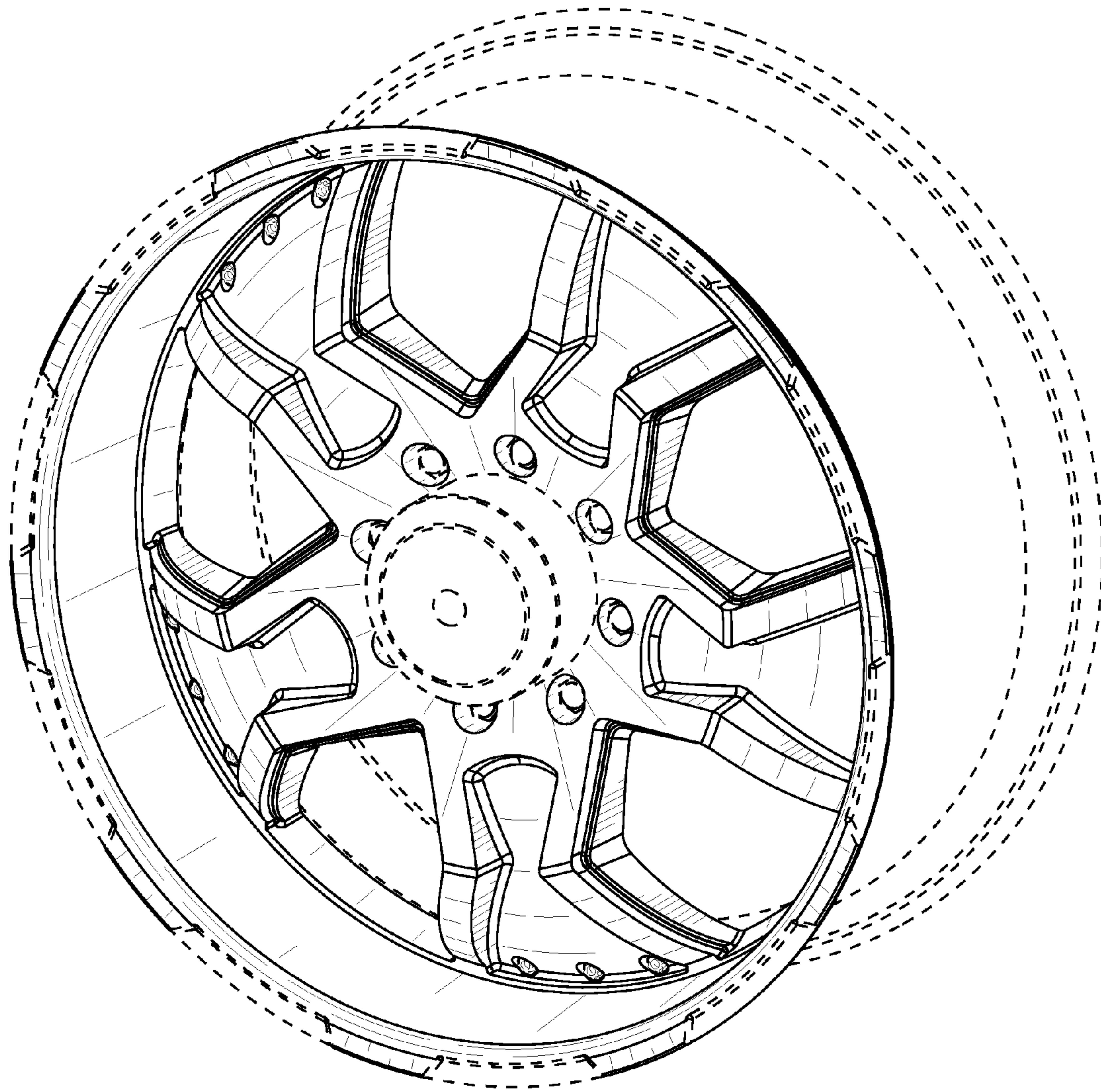


**FIG. 4**



**FIG. 5**





**FIG. 6**

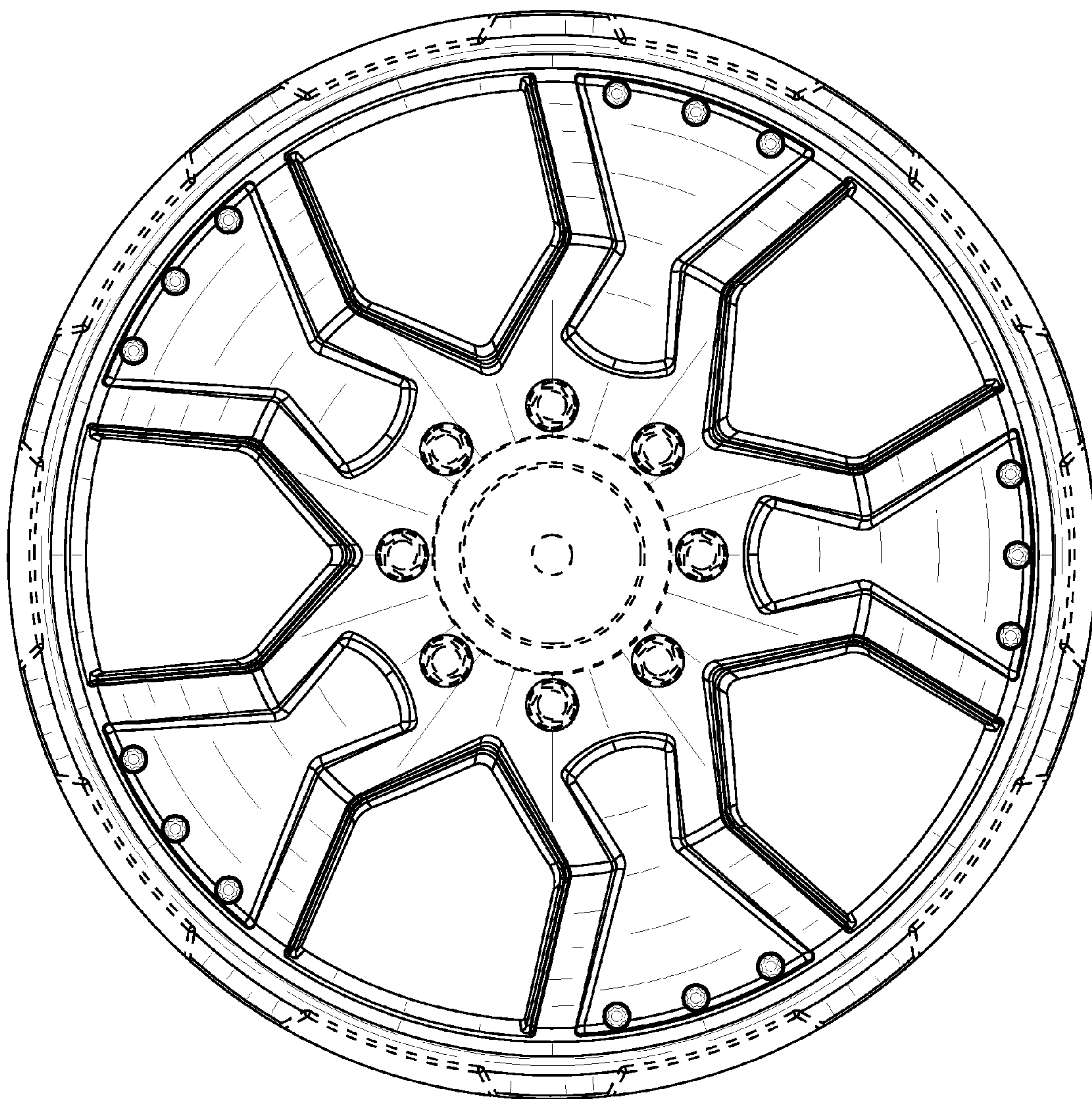


FIG. 7