



US00D569319S

(12) **United States Design Patent**
Simpson

(10) **Patent No.:** **US D569,319 S**

(45) **Date of Patent:** **** May 20, 2008**

(54) **VEHICLE WHEEL ASSEMBLY**

(75) Inventor: **David T. Simpson**, Covington, GA (US)

(73) Assignee: **Clarence Hall**, Conyers, GA (US)

(**) Term: **14 Years**

(21) Appl. No.: **29/202,685**

(22) Filed: **Apr. 1, 2004**

(51) **LOC (8) Cl.** **12-16**

(52) **U.S. Cl.** **D12/209**

(58) **Field of Classification Search** D12/207-213;
301/37.101, 64.101, 65

See application file for complete search history.

(56) **References Cited**

U.S. PATENT DOCUMENTS

3,683,536 A * 8/1972 Sefried, II 42/62

3,744,171 A * 7/1973 Fecke 42/89

D501,439 S * 2/2005 Chiu D12/209

2006/0101698 A1* 5/2006 Lin 42/89

* cited by examiner

Primary Examiner—Robert M. Spear

Assistant Examiner—George D. Kirschbaum, Jr.

(74) *Attorney, Agent, or Firm*—Michael J. Bootcheck, LLC;
Michael J. Bootcheck

(57) **CLAIM**

The ornamental design for a vehicle wheel assembly, as shown and described.

DESCRIPTION

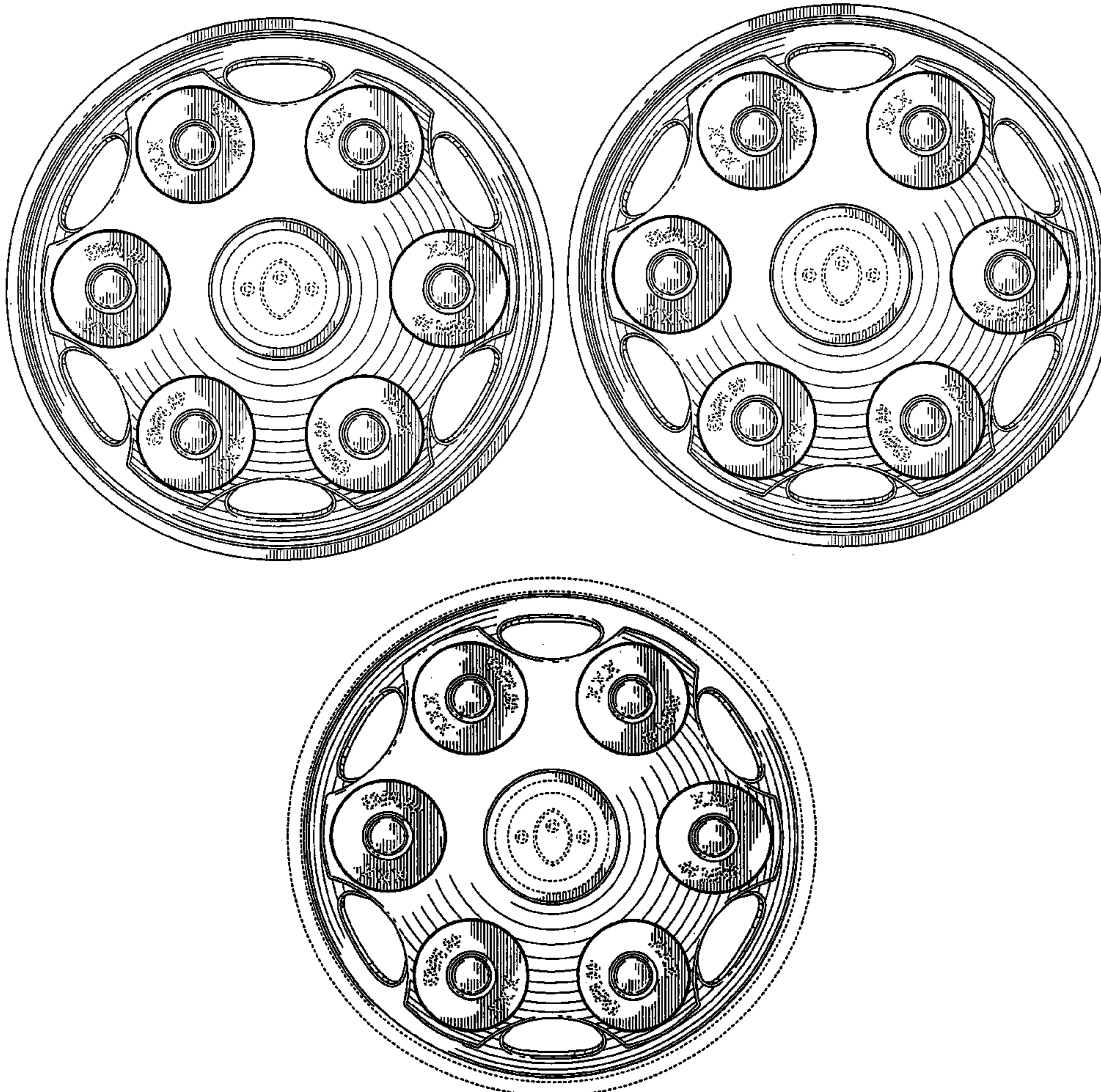
FIG. 1 is a front view of a vehicle wheel assembly showing my new design;

FIG. 2 is a front view of a second embodiment of my new design; and,

FIG. 3 is a front view of a third embodiment of my new design.

The broken lines shown herein are for illustrative purposes only and form no part of the claimed design.

1 Claim, 3 Drawing Sheets



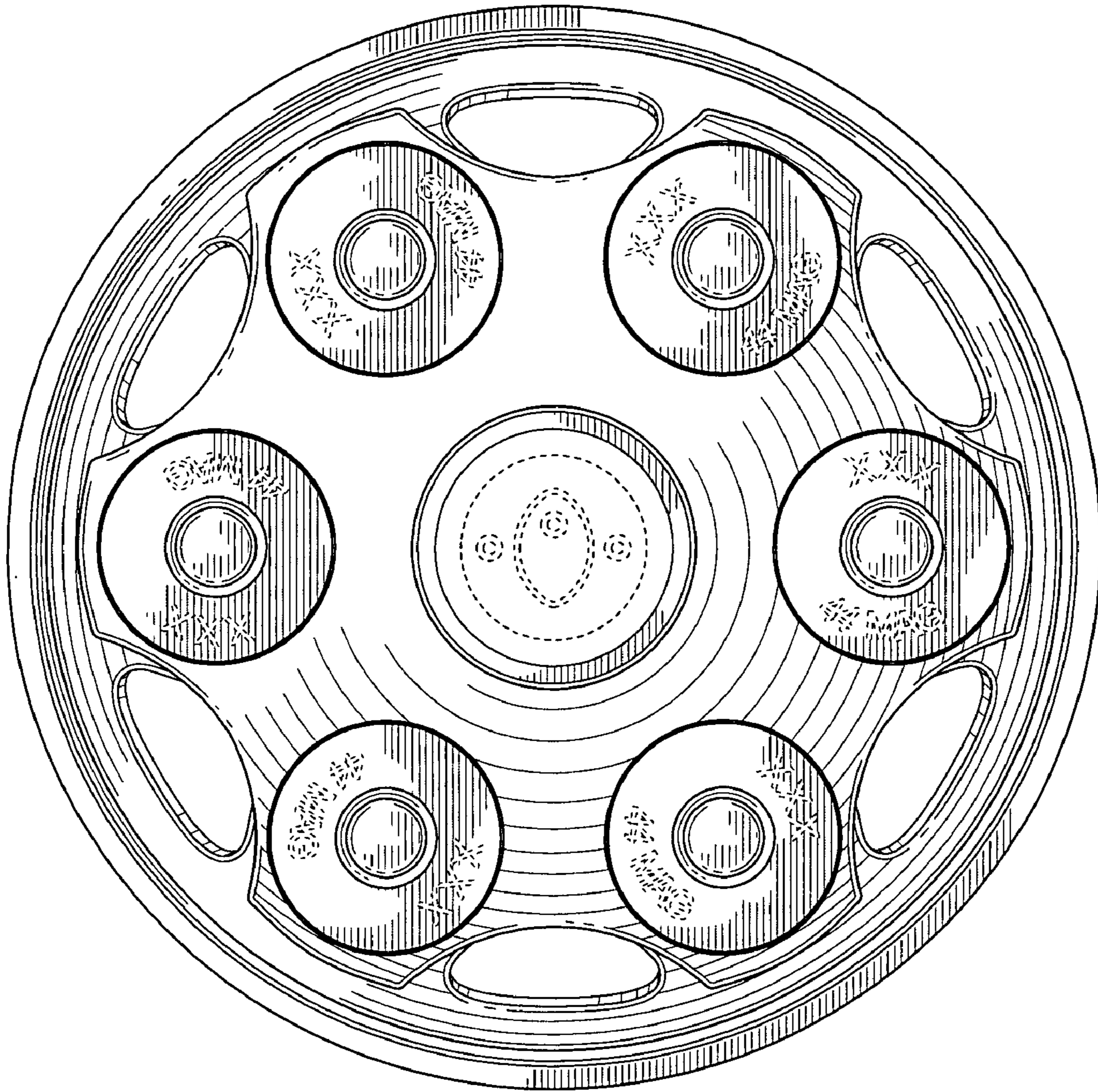


FIG. 1

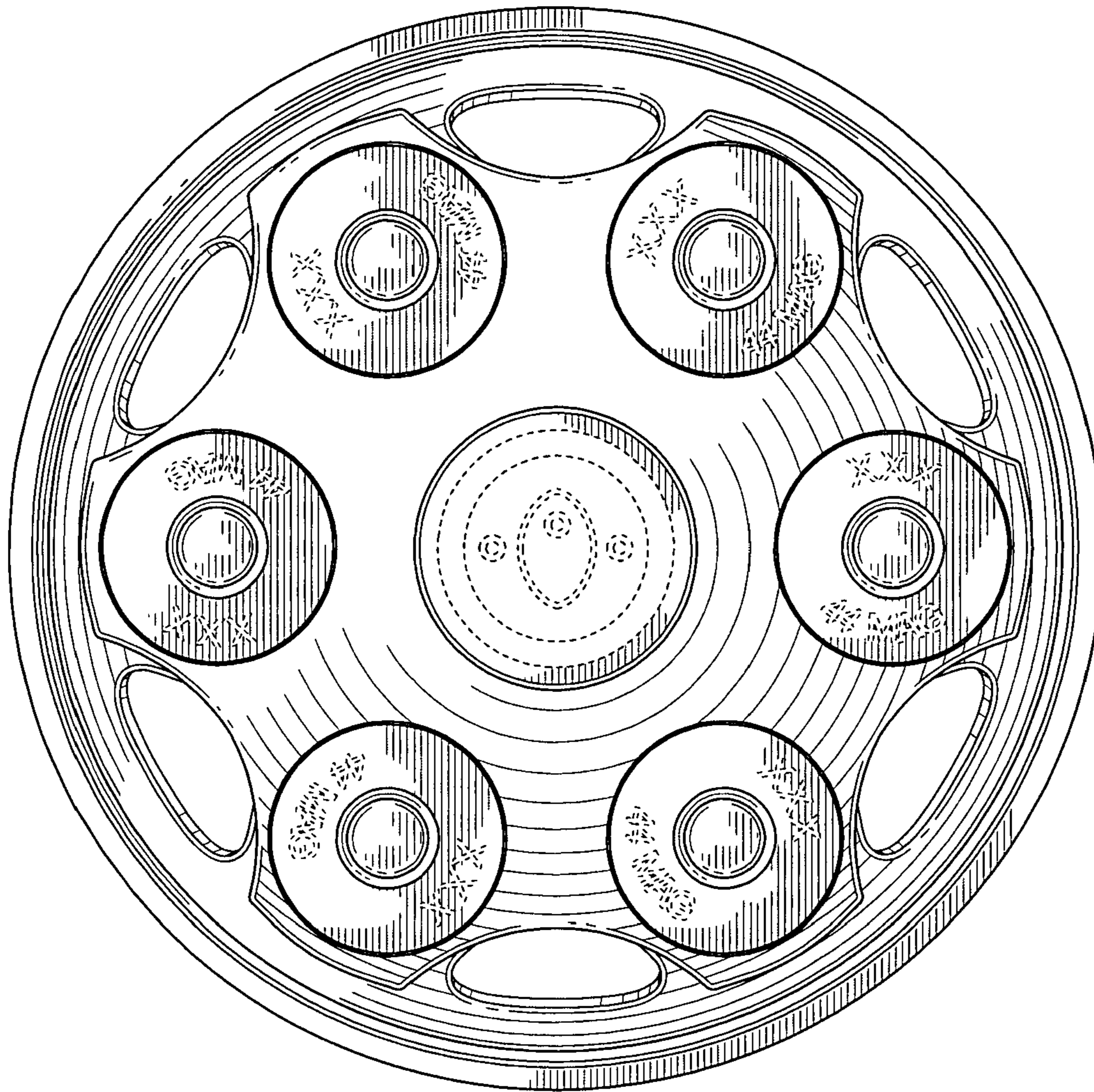


FIG. 2

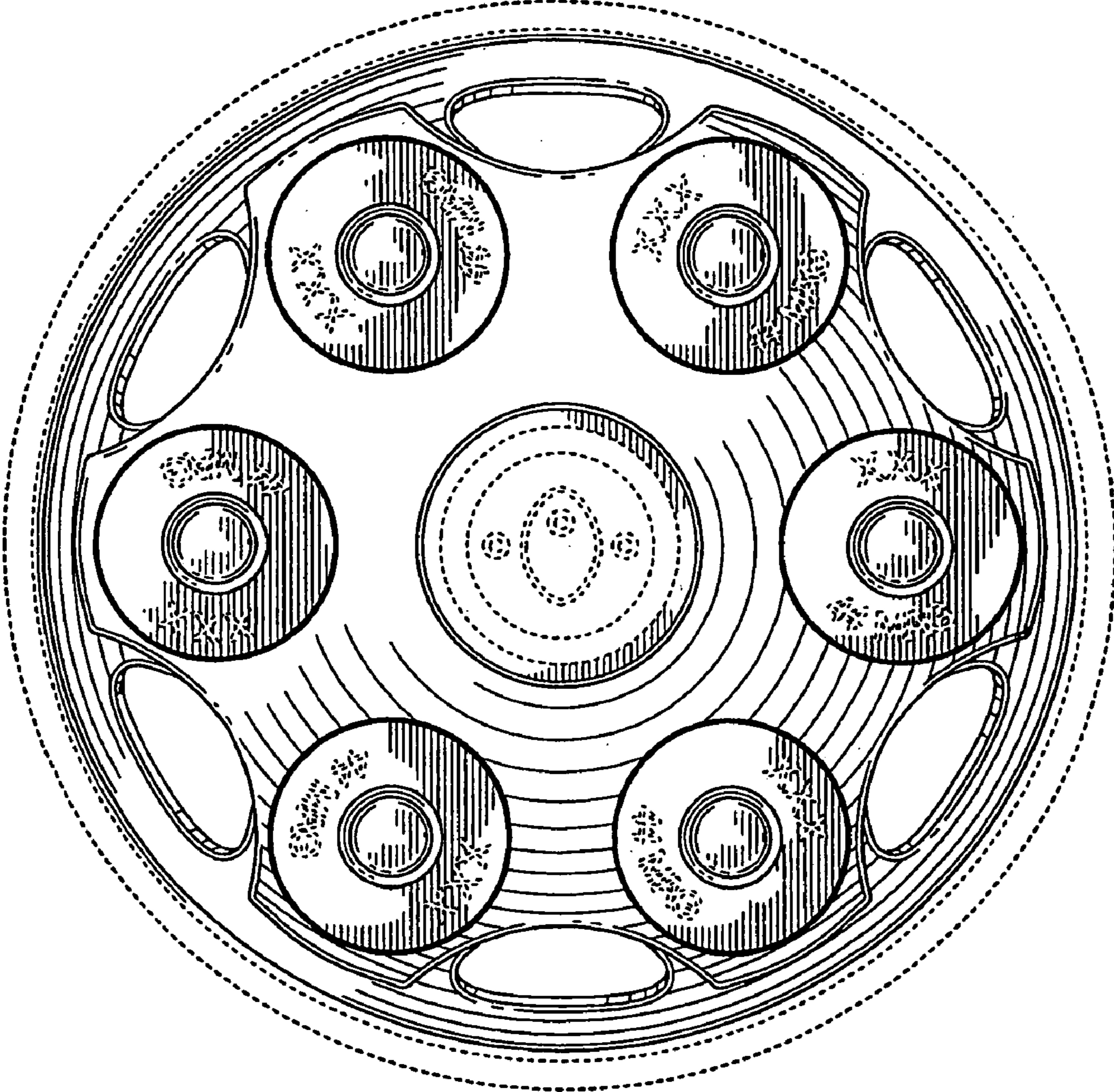


FIG. 3