



US00D569317S

(12) **United States Design Patent**
Schowalter

(10) **Patent No.:** **US D569,317 S**

(45) **Date of Patent:** **** May 20, 2008**

(54) **VEHICLE INSTRUMENT PANEL**

(75) Inventor: **Jean-Paul Schowalter**, Fullerton, CA
(US)

(73) Assignee: **Honda Motor Co., Ltd.**, Tokyo (JP)

(**) Term: **14 Years**

(21) Appl. No.: **29/250,664**

(22) Filed: **Nov. 27, 2006**

(51) **LOC (8) Cl.** **12-16**

(52) **U.S. Cl.** **D12/192**

(58) **Field of Classification Search** D12/192,
D12/345, 317; 180/90; 280/750-752;
296/190.01-190.09, 70; D15/17, 28; D10/46,
D10/98, 102-103; 362/482, 489; 73/431,
73/866.3

See application file for complete search history.

(56) **References Cited**

U.S. PATENT DOCUMENTS

| | | | | |
|--------------|---------|------------------|-------|---------|
| D389,798 S * | 1/1998 | Ma et al. | | D12/192 |
| D431,220 S * | 9/2000 | Wyszogrod et al. | | D12/192 |
| D433,362 S * | 11/2000 | Wyszogrod et al. | | D12/192 |
| D440,926 S * | 4/2001 | Pfeiffer | | D12/192 |
| D456,755 S * | 5/2002 | Boulay et al. | | D12/192 |
| D473,182 S * | 4/2003 | Pfeiffer et al. | | D12/415 |
| D480,671 S * | 10/2003 | Pfeiffer et al. | | D12/192 |
| D492,631 S * | 7/2004 | Pfeiffer et al. | | D12/192 |

| | | | | |
|--------------|---------|----------------|-------|---------|
| D493,757 S * | 8/2004 | Pfeiffer | | D12/192 |
| D501,811 S * | 2/2005 | Fukuda et al. | | D12/192 |
| D533,492 S * | 12/2006 | Maezono et al. | | D12/192 |
| D534,467 S * | 1/2007 | Pfeiffer | | D12/192 |
| D539,714 S * | 4/2007 | Toyama et al. | | D12/192 |

* cited by examiner

Primary Examiner—Stacia Cadmus

(74) *Attorney, Agent, or Firm*—Mark E. Duell; Plumsea Law Group, LLC

(57) **CLAIM**

The ornamental design for a vehicle instrument panel, as shown and described.

DESCRIPTION

FIG. 1 is a perspective view of a vehicle instrument panel showing my new design;

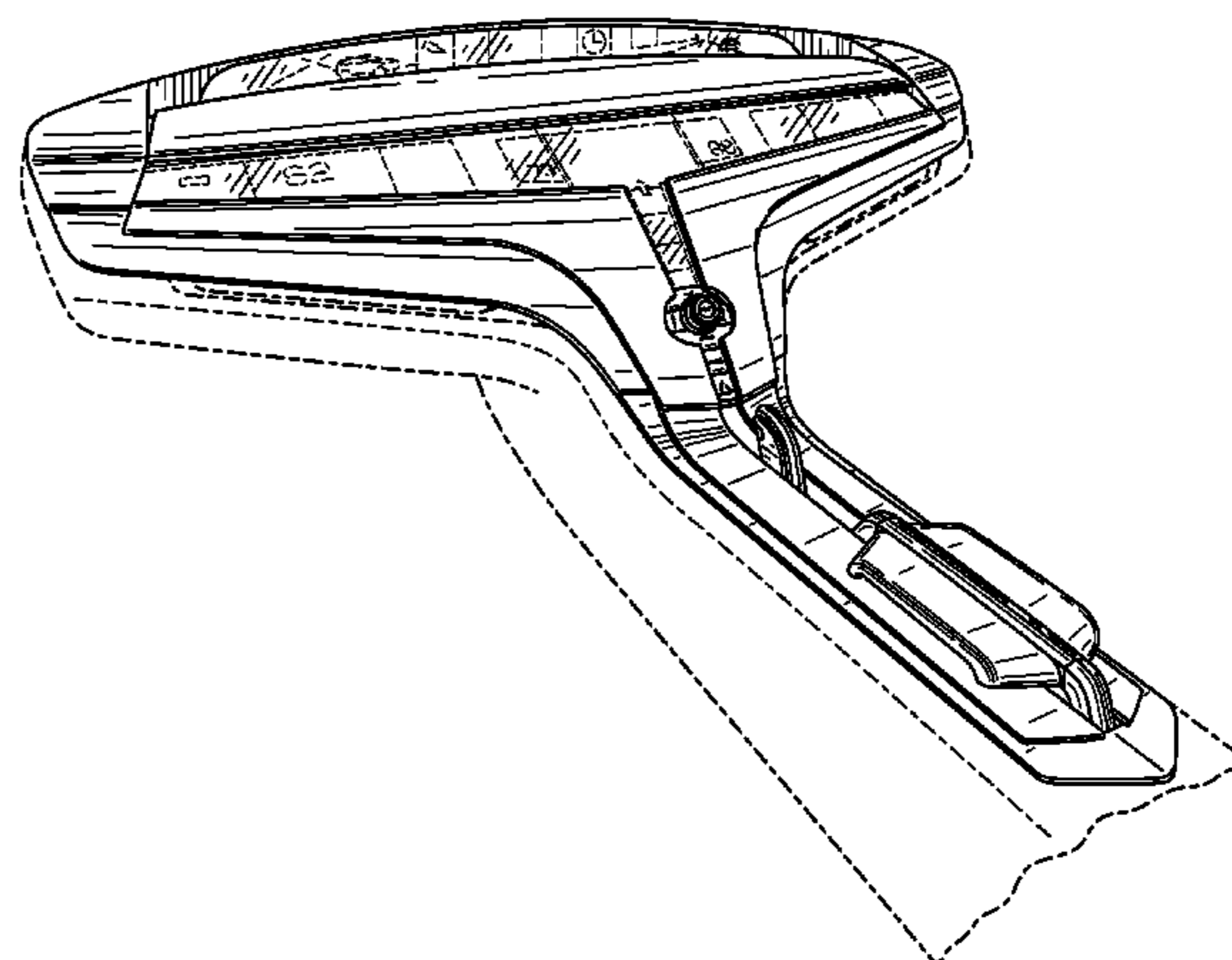
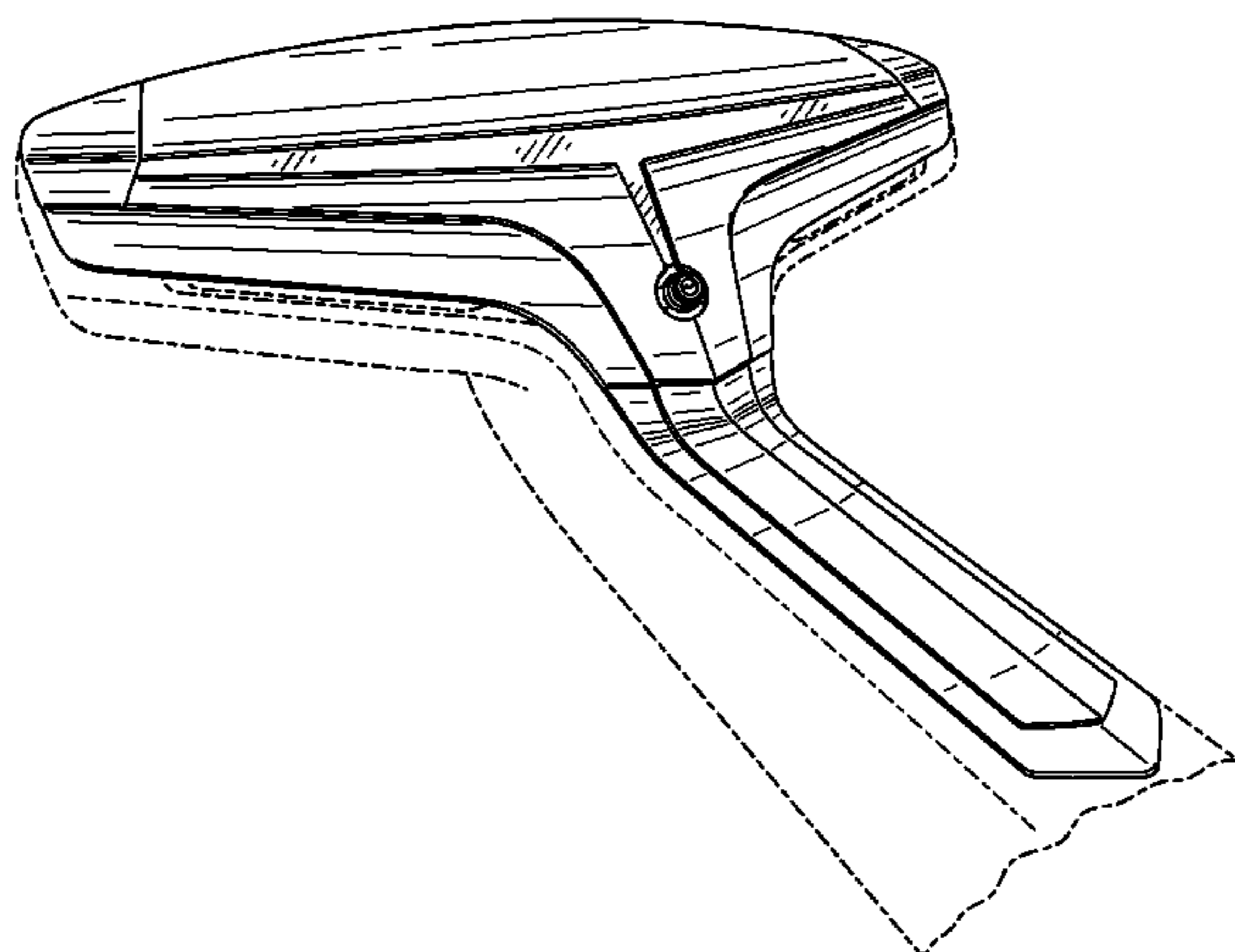
FIG. 2 is a front view thereof;

FIG. 3 is a perspective view of the vehicle instrument panel, shown in open position; and,

FIG. 4 is a front view of the vehicle instrument panel, shown in open position.

The broken line showings of the elements of the display and controller areas in FIGS. 3-4, and of the remainder of the dashboard and center console base in FIGS. 1-4 are for illustrative purposes only and form no part of the claimed design.

1 Claim, 4 Drawing Sheets



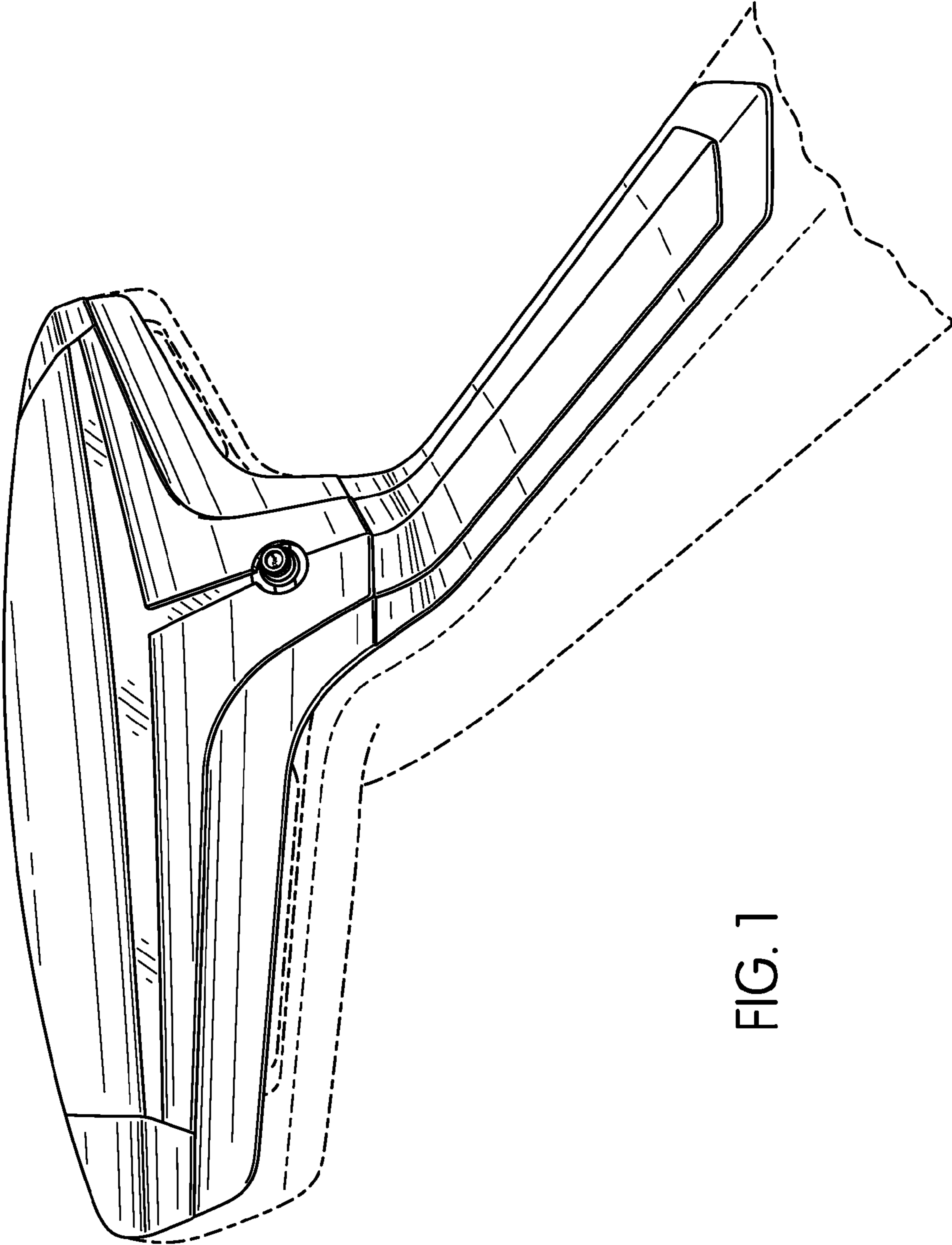


FIG. 1

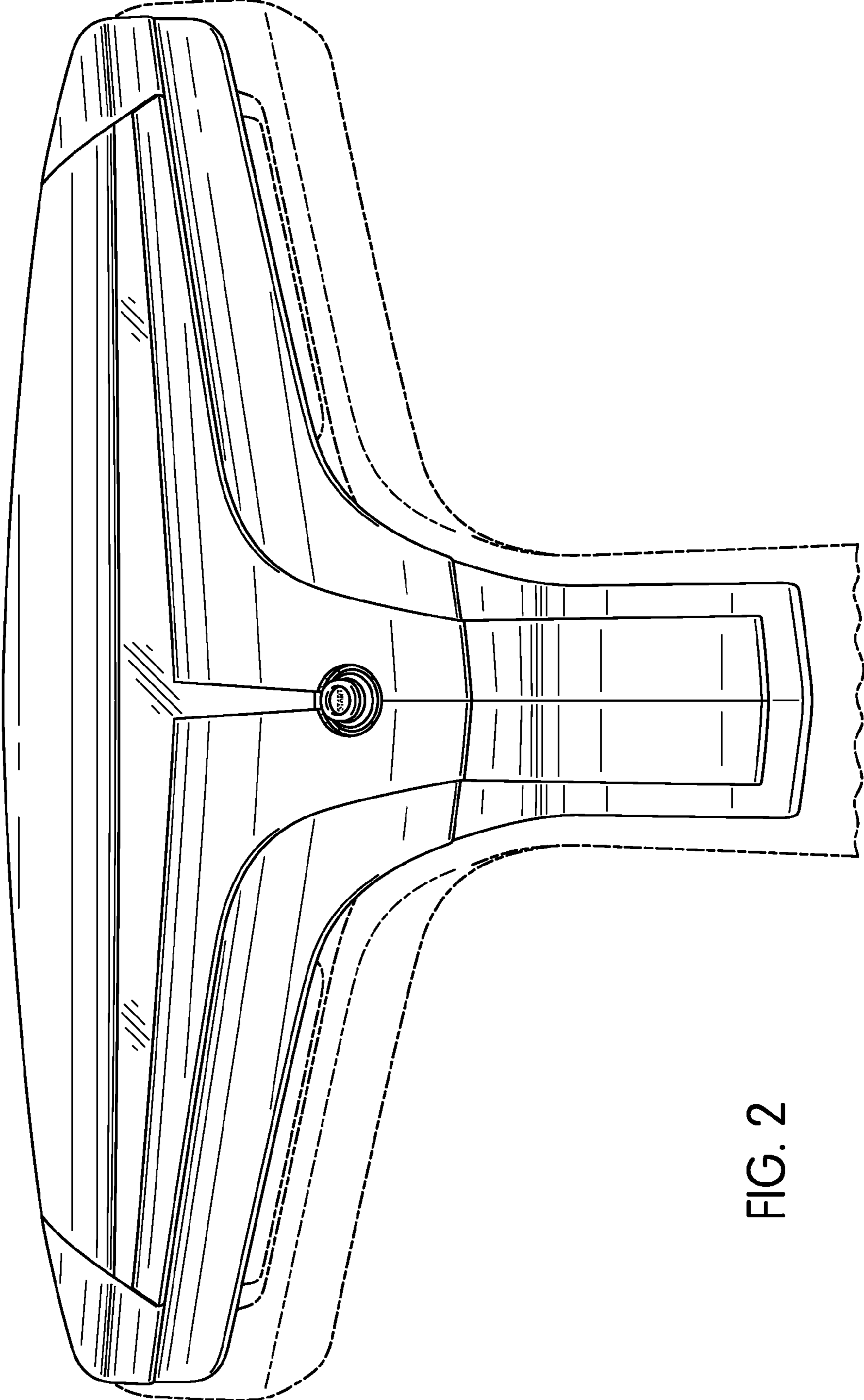


FIG. 2

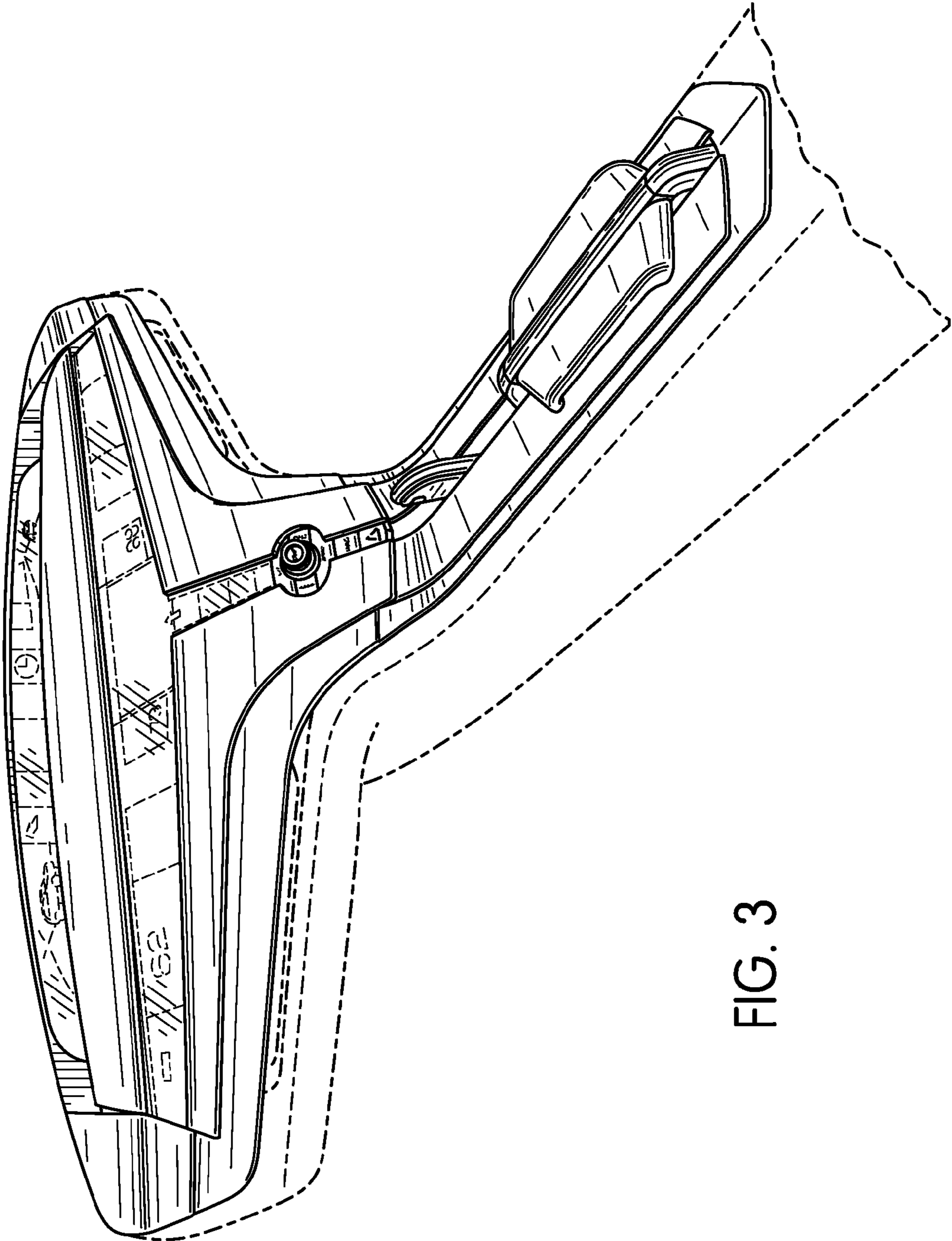


FIG. 3

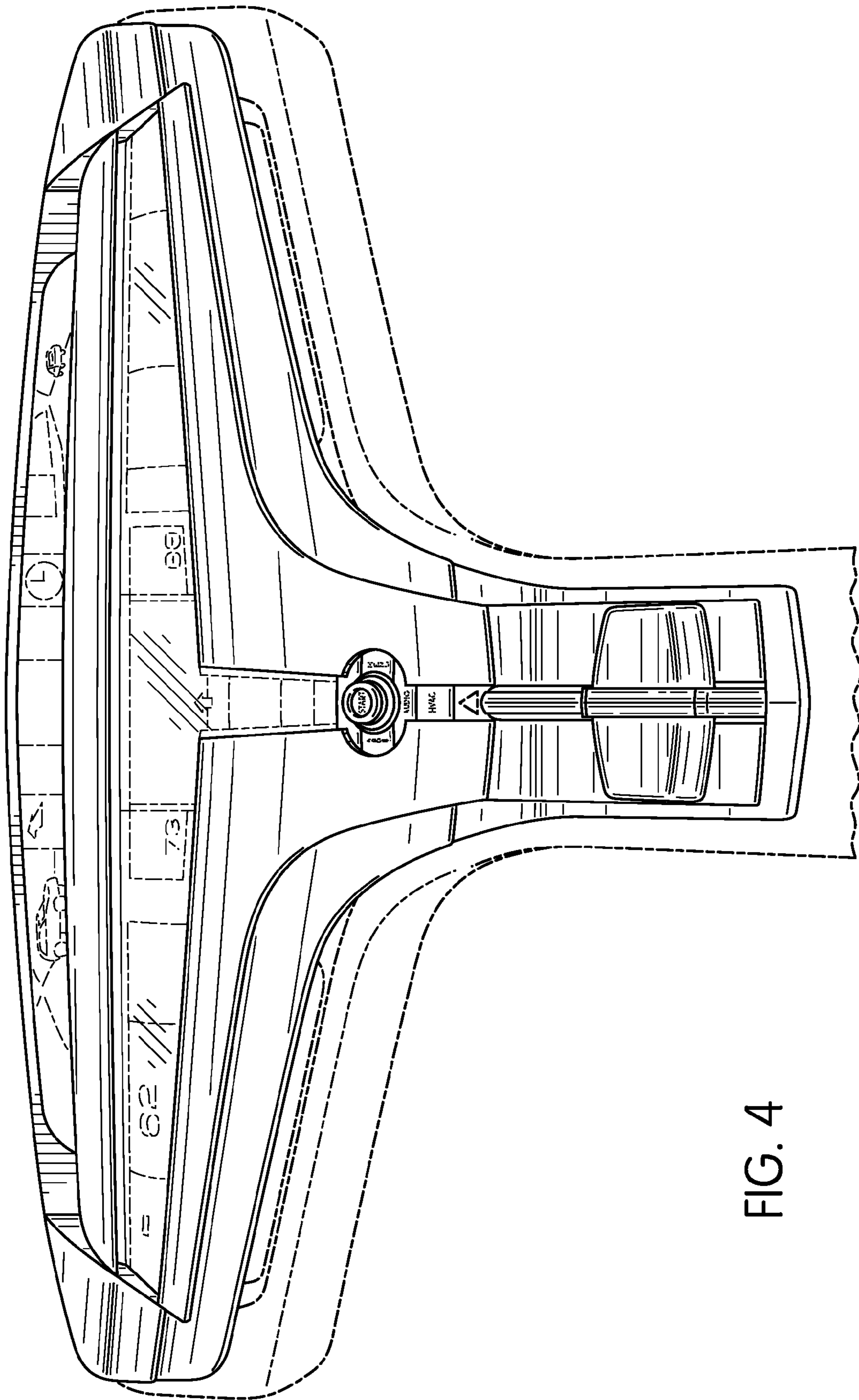


FIG. 4