



US00D569312S

(12) **United States Design Patent**
Cowie

(10) **Patent No.:** **US D569,312 S**

(45) **Date of Patent:** **** May 20, 2008**

(54) **WALKER**

(75) Inventor: **Ross Lyell Cowie**, Ottawa (CA)

(73) Assignee: **Random Products Trust**, Bridgetown (BB)

(**) Term: **14 Years**

(21) Appl. No.: **29/258,572**

(22) Filed: **Apr. 25, 2006**

(51) **LOC (8) Cl.** **12-12**

(52) **U.S. Cl.** **D12/130**

(58) **Field of Classification Search** D12/128-133,
D12/16, 85; 267/5; 135/65-67, 74, 912;
280/62, 647-650, 29, 200, 47.38, 250.1,
280/259, 642, 658; 297/DIG. 4; 296/65.03,
296/65.04; 224/409; D6/364; D34/15;
180/6.5, 65.1, 65.6, 65.8, 208, 907, 906
See application file for complete search history.

(56) **References Cited**

U.S. PATENT DOCUMENTS

- D312,061 S * 11/1990 Smith D12/130
- D395,853 S * 7/1998 Luo D12/130
- D396,437 S * 7/1998 Liljedahl D12/130
- D427,115 S * 6/2000 Kjell et al. D12/130

- D441,694 S * 5/2001 Kjell et al. D12/130
- D451,053 S * 11/2001 Hallgrimsson D12/130
- D475,323 S * 6/2003 Hallgrimsson D12/130
- D479,164 S * 9/2003 Wu D12/130
- D481,336 S * 10/2003 Wu D12/130
- D495,628 S * 9/2004 Cowie D12/130
- D501,432 S * 2/2005 Møller D12/130

* cited by examiner

Primary Examiner—Charles A. Rademaker

Assistant Examiner—Charles D. Hanson

(74) *Attorney, Agent, or Firm*—Teitelbaum & MacLean;
Neil Teitelbaum; Doug MacLean

(57) **CLAIM**

The ornamental design for a walker, as shown and described.

DESCRIPTION

FIG. 1 is a side view of the walker showing my new design;
FIG. 2 is a side view showing the side opposite to FIG. 1
thereof;

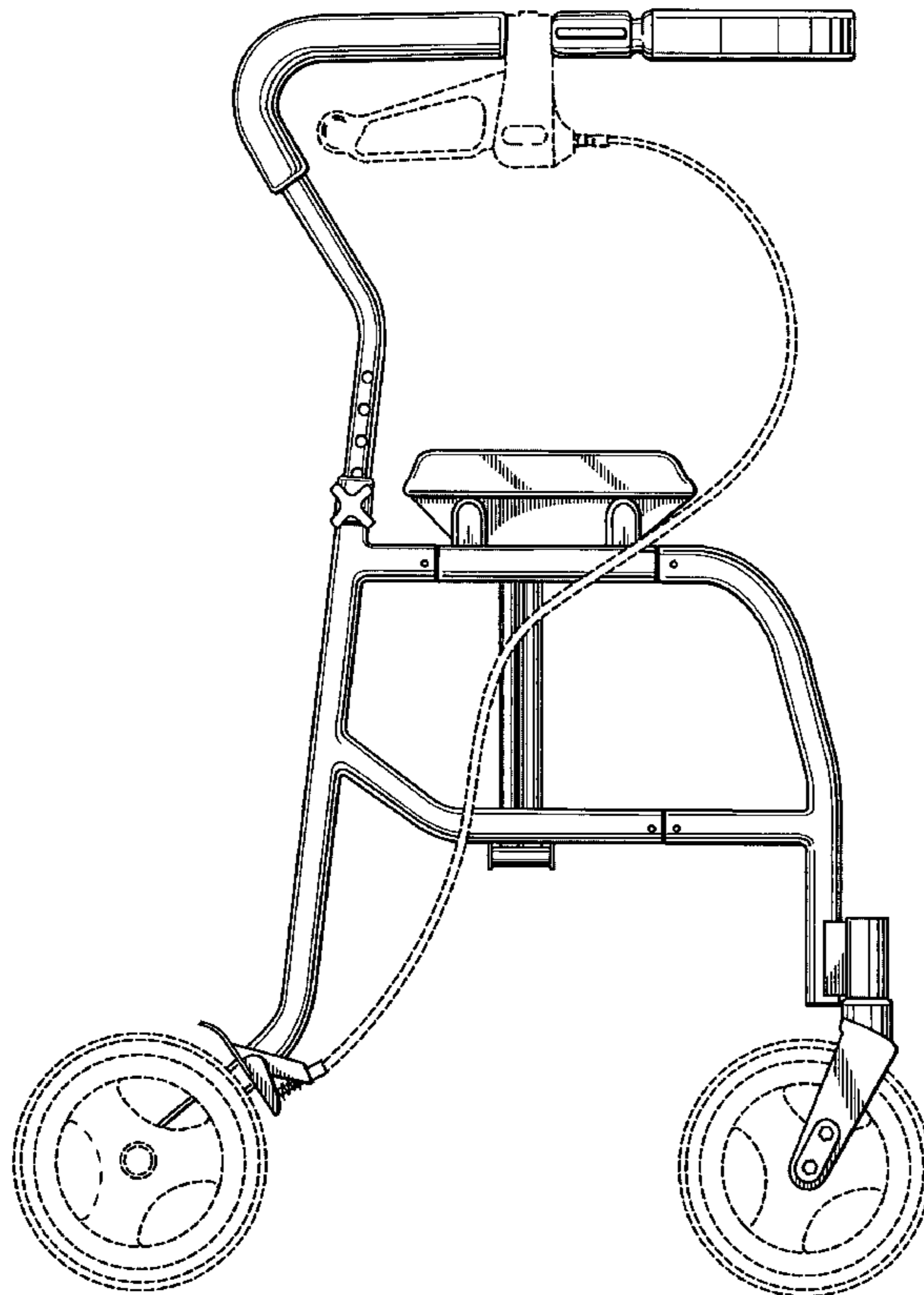
FIG. 3 is a front view thereof;

FIG. 4 is a rear view thereof;

FIG. 5 is a top view thereof; and,

FIG. 6 is a bottom view thereof.

1 Claim, 6 Drawing Sheets



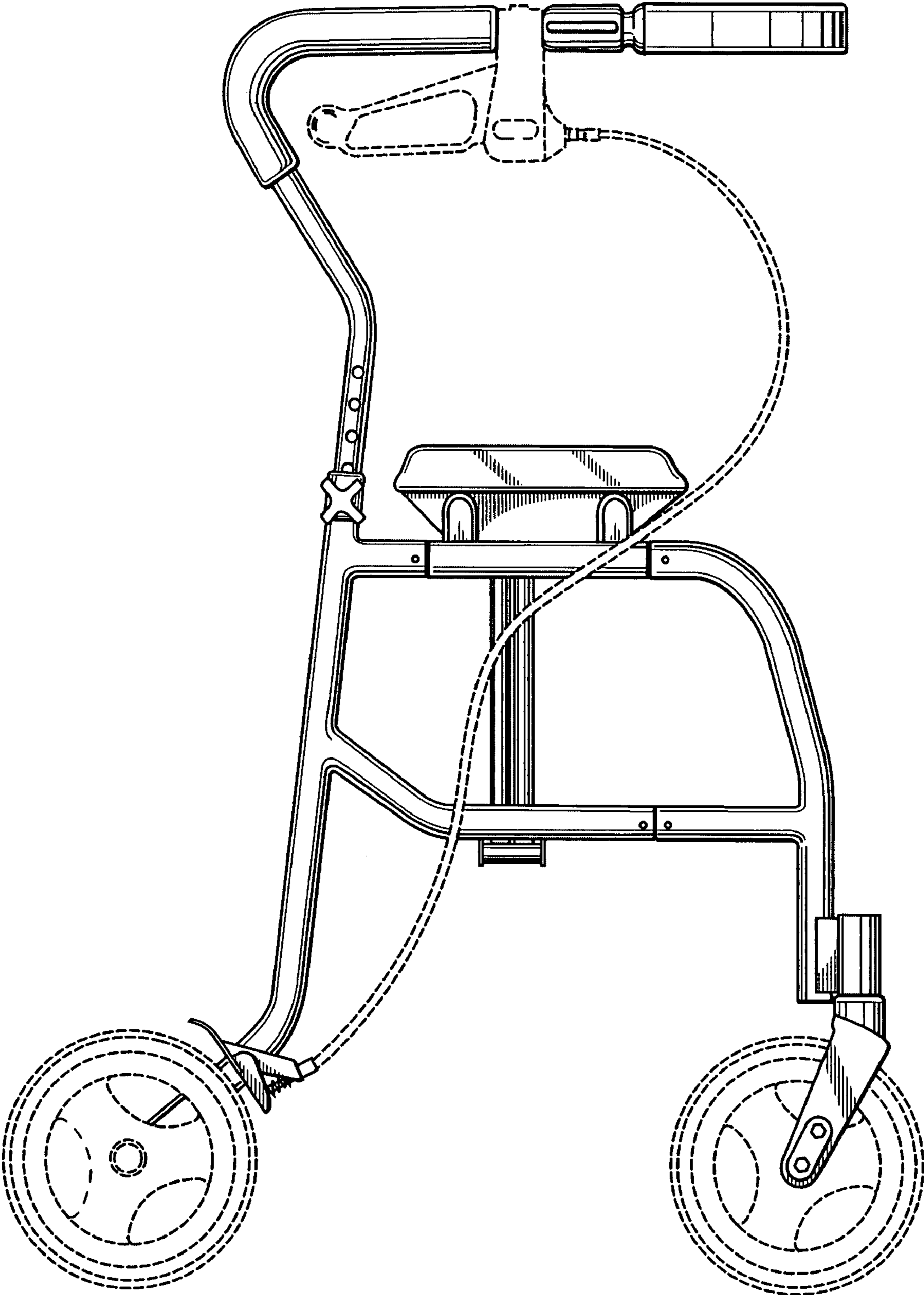


FIG. 1

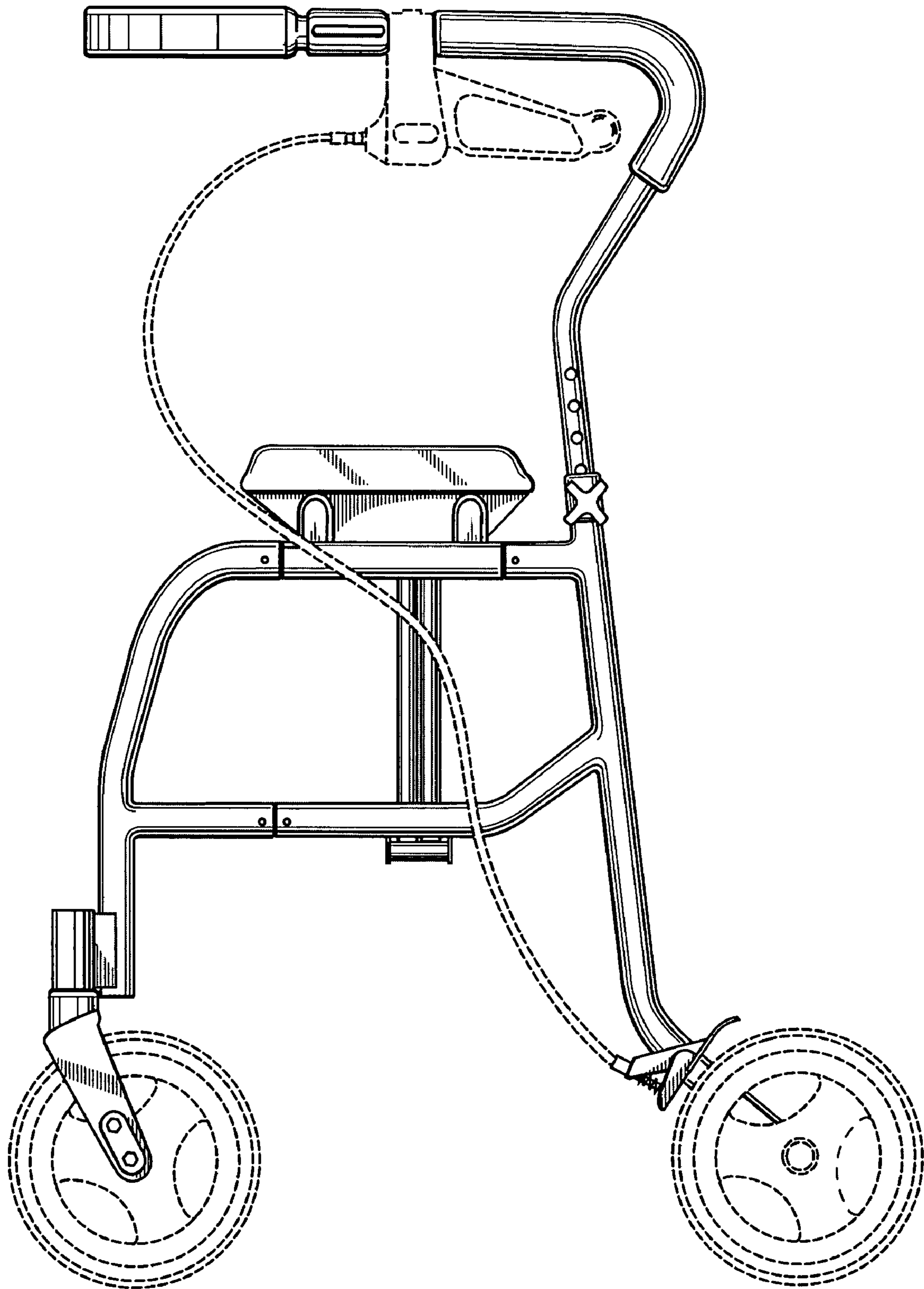


FIG. 2

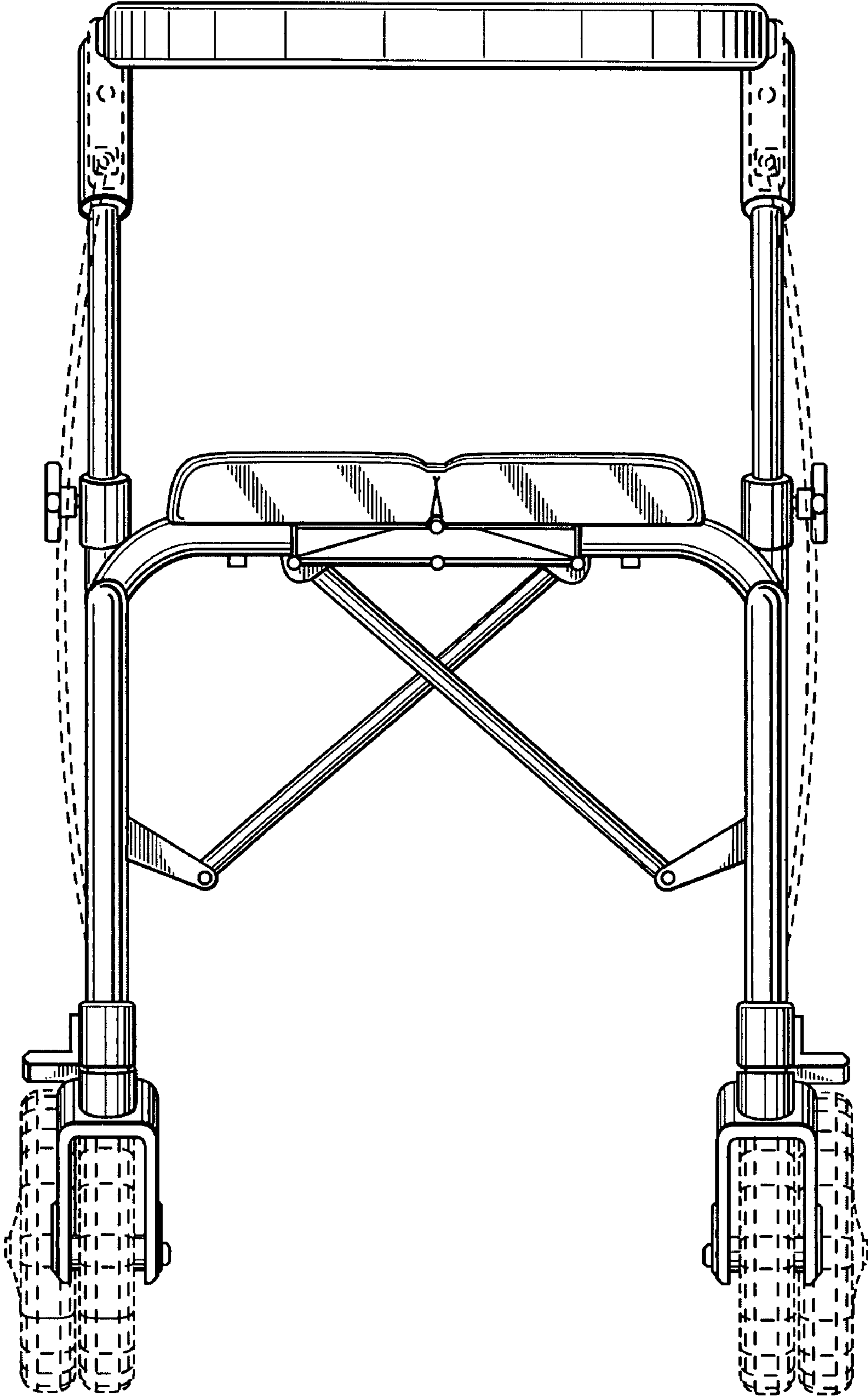


FIG. 3

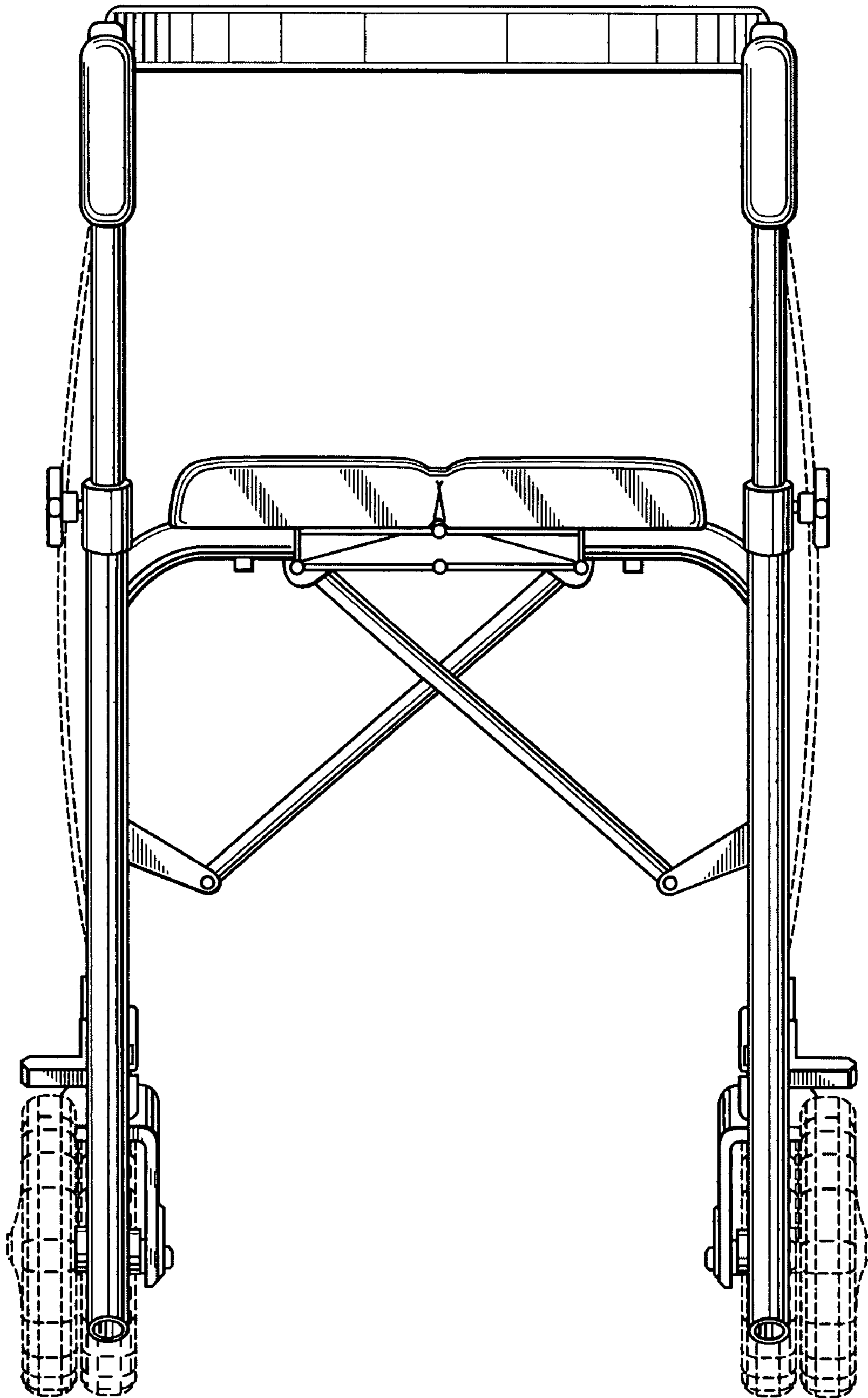


FIG. 4

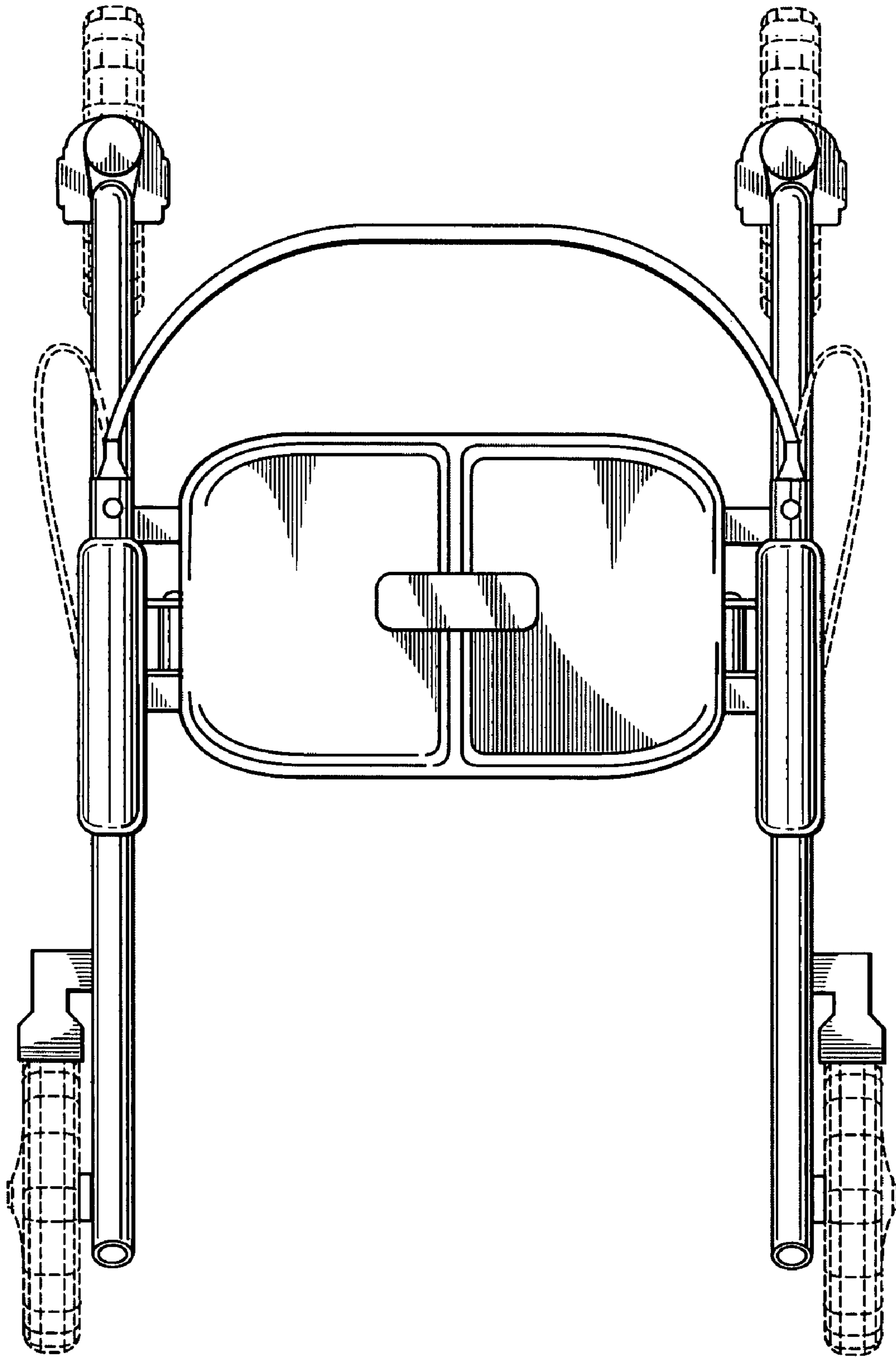


FIG. 5

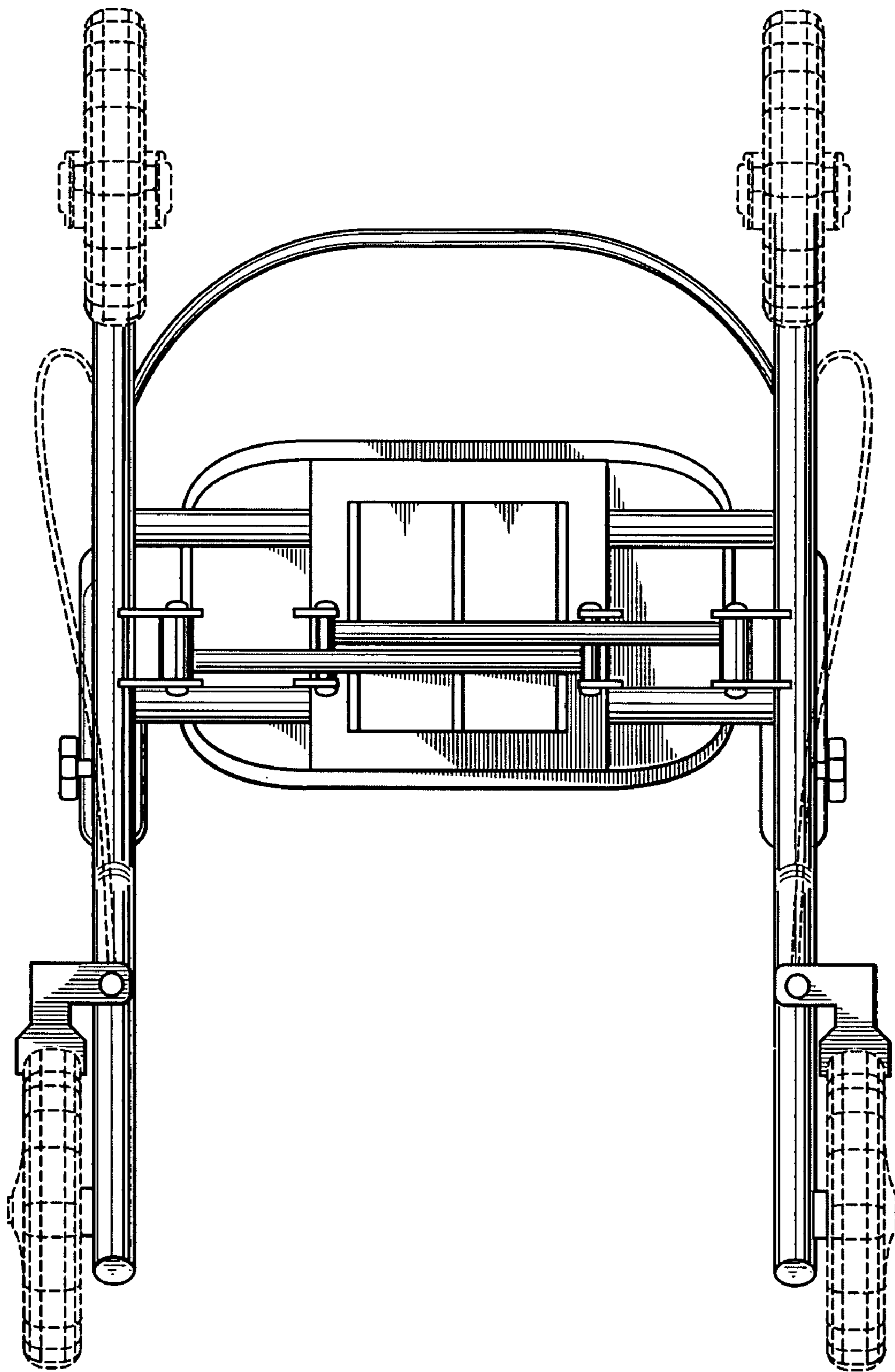


FIG. 6