

US00D569310S

(12) **United States Design Patent**
Ainsworth et al.

(10) **Patent No.:** **US D569,310 S**

(45) **Date of Patent:** **** May 20, 2008**

(54) **MOTORCYCLE**

(75) Inventors: **Alan Ainsworth**, Leicester (GB); **Bruce Renfrew**, Leicester (GB); **Balraj Ghataore**, Coventry (GB); **Barry Curtis Hall**, SLD Station Road, North Hykeham, Lincoln (GB) LNG 3DA

(73) Assignee: **Barry Curtis Hall**, Lincoln (GB)

(**) Term: **14 Years**

(21) Appl. No.: **29/277,813**

(22) Filed: **Mar. 9, 2007**

(30) **Foreign Application Priority Data**

Nov. 3, 2006 (EM) 000615968-0001

(51) **LOC (8) Cl.** **12-11**

(52) **U.S. Cl.** **D12/110**

(58) **Field of Classification Search** D12/110;
180/219

See application file for complete search history.

(56) **References Cited**

U.S. PATENT DOCUMENTS

D497,330 S * 10/2004 Fukuyama et al. D12/110

D500,712 S * 1/2005 Kudo et al. D12/110
D513,481 S * 1/2006 Lin D12/110
D535,587 S * 1/2007 Yin et al. D12/110

* cited by examiner

Primary Examiner—Cathron Brooks

Assistant Examiner—Linda Brooks

(74) *Attorney, Agent, or Firm*—Sommer Barnard PC

(57) **CLAIM**

We claim the ornamental design for a motorcycle, as shown and described.

DESCRIPTION

FIG. 1 is a front view illustrating our new motorcycle design;

FIG. 2 is a front, perspective, right-hand side view thereof;

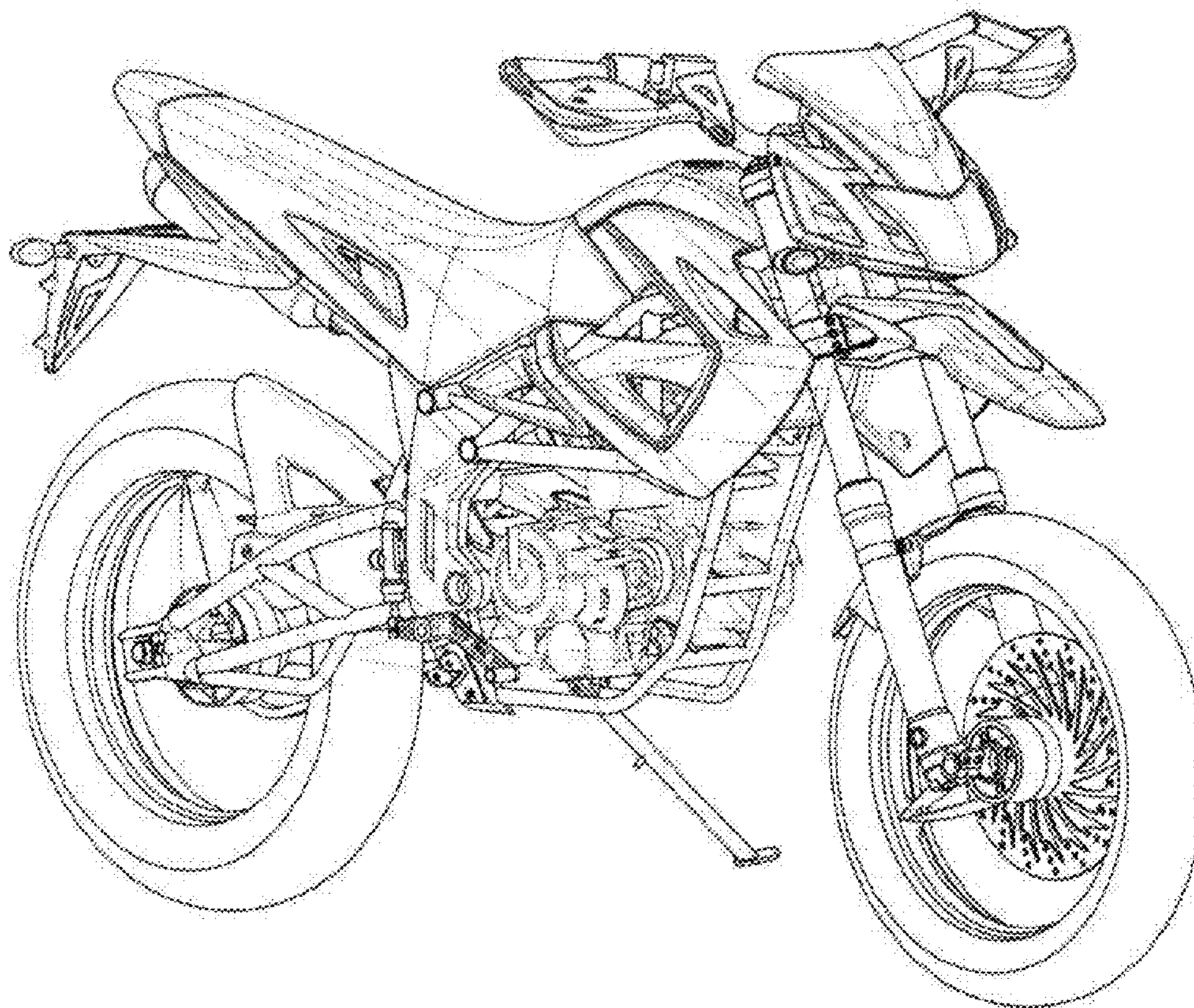
FIG. 3 is a left-hand side view thereof;

FIG. 4 is a top view thereof;

FIG. 5 is a rear, perspective, right-hand side view thereof; and,

FIG. 6 is a right-hand side view thereof.

1 Claim, 6 Drawing Sheets



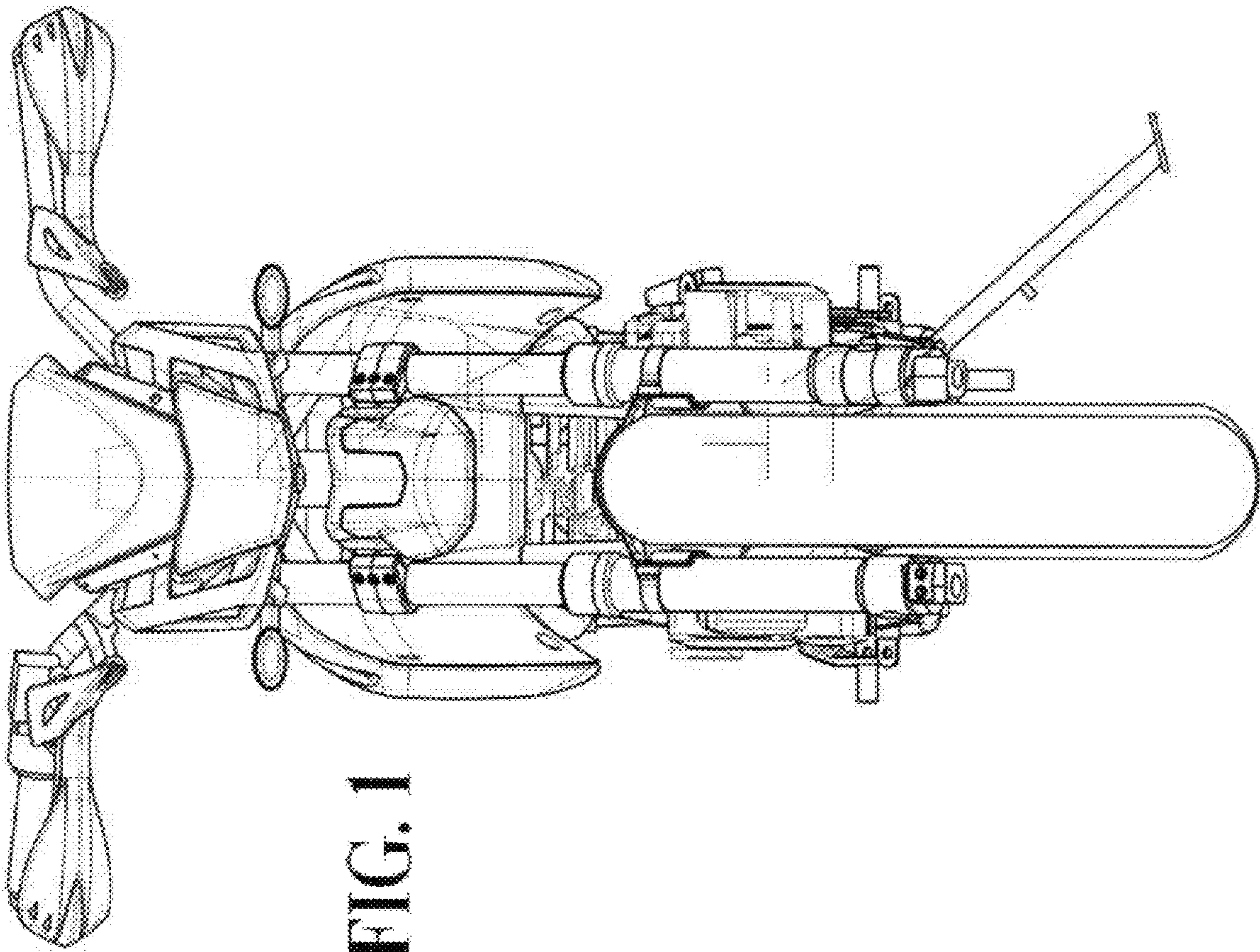
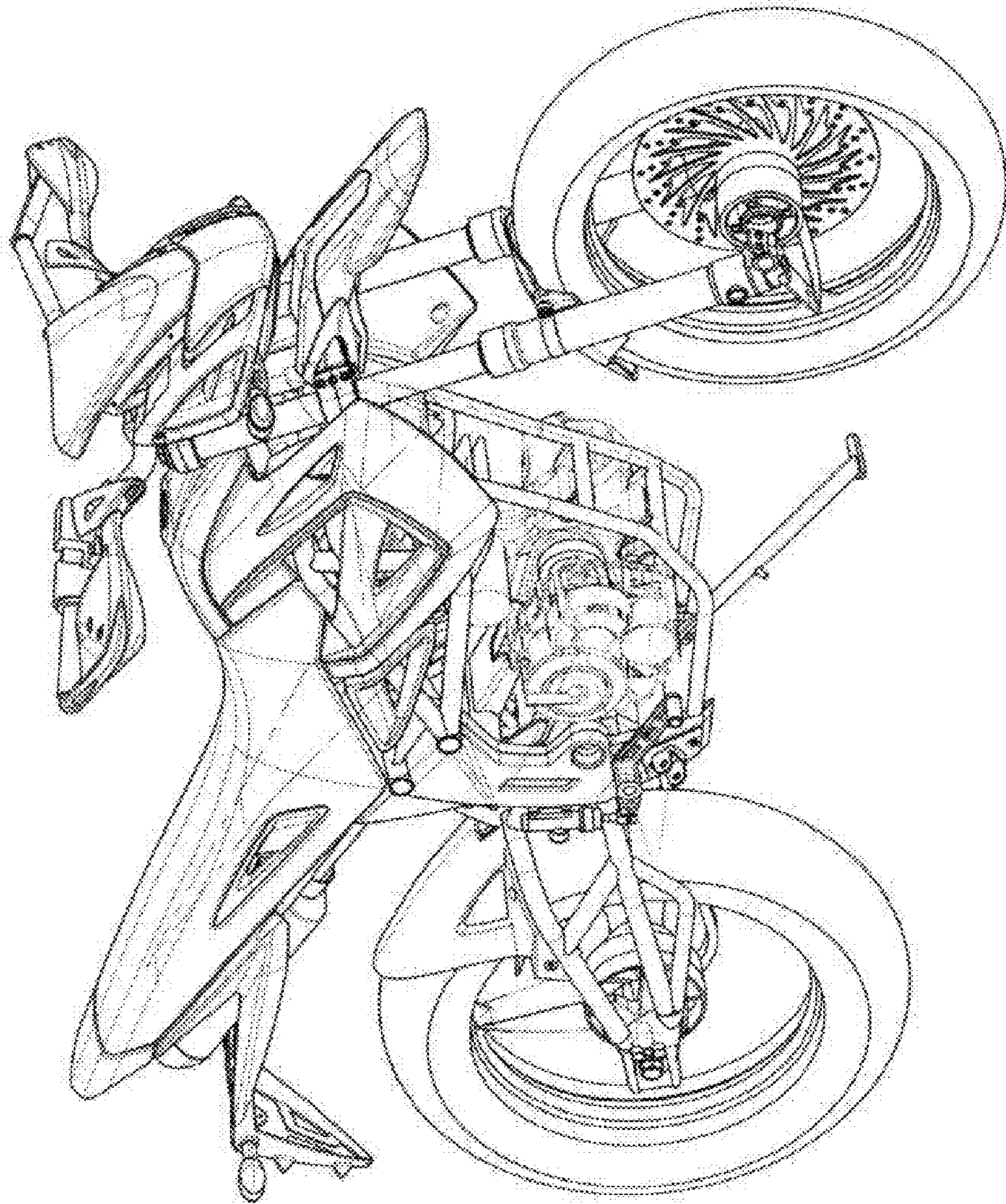


FIG. 1

FIG. 2



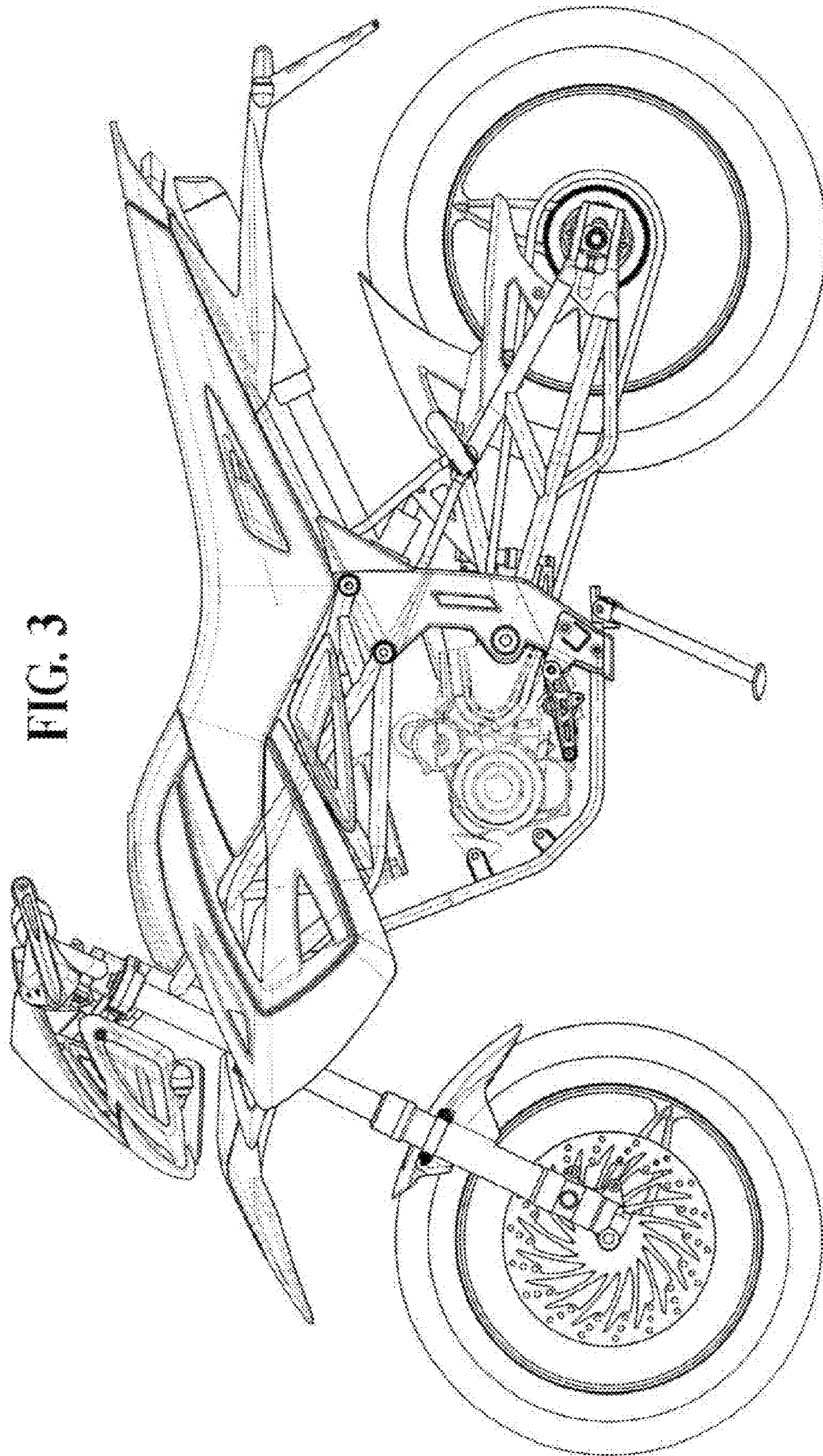
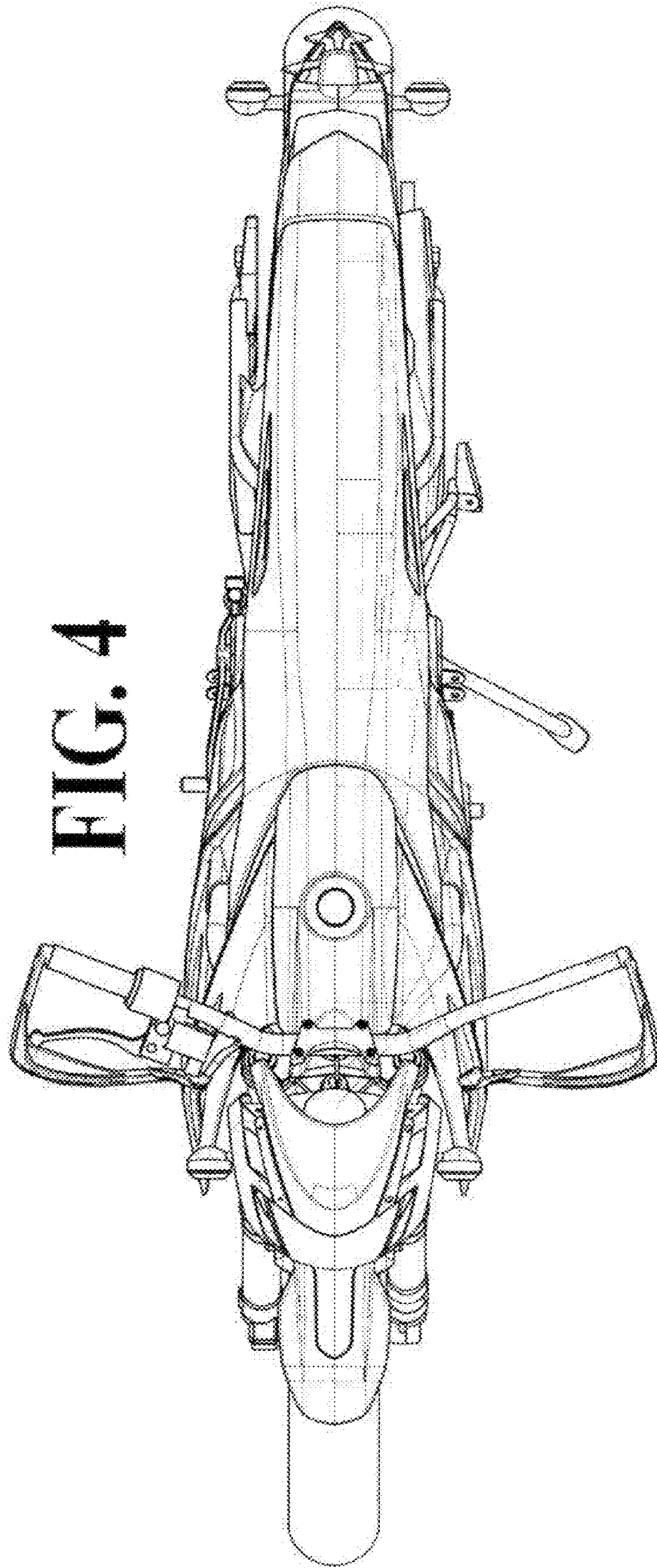


FIG. 3



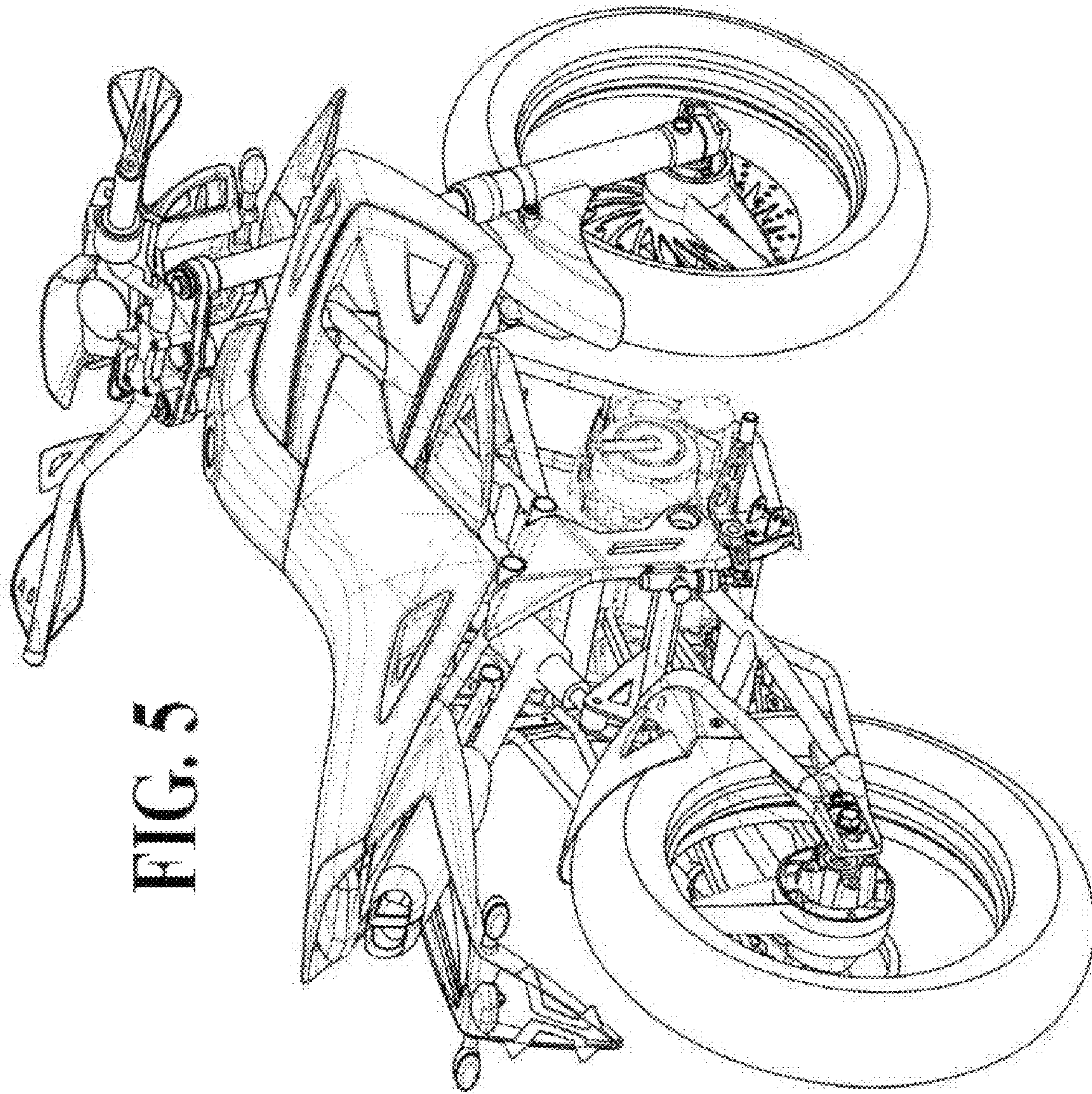


FIG. 5

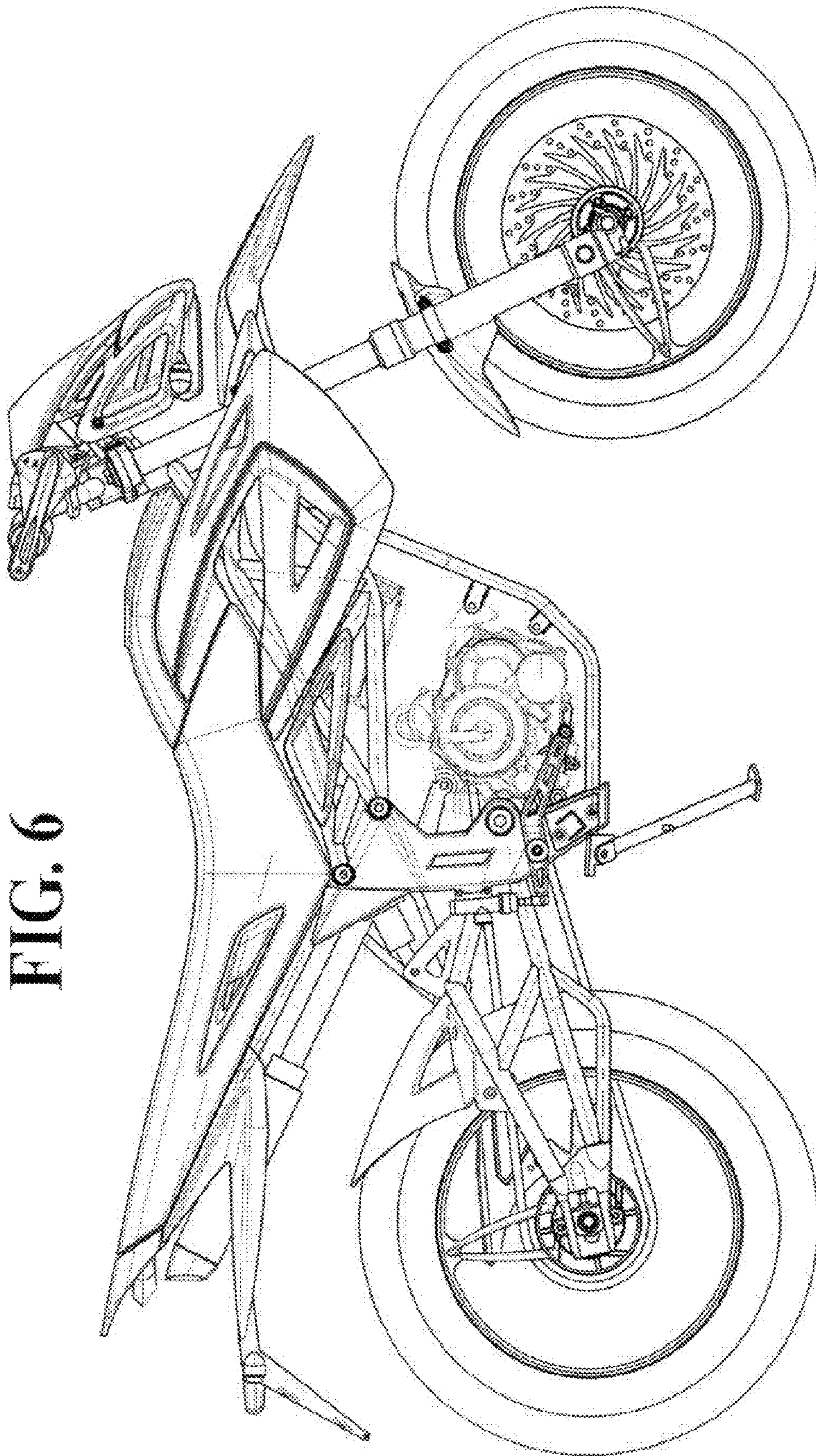


FIG. 6