



US00D569306S

(12) **United States Design Patent**
Taylor

(10) **Patent No.:** **US D569,306 S**

(45) **Date of Patent:** **** May 20, 2008**

(54) **HARNESS BUCKLE**

D435,168 S * 12/2000 Momburg D3/215
D509,627 S * 9/2005 Willows et al. D29/101.2
D535,911 S * 1/2007 Crisco D11/200

(75) Inventor: **Philip Taylor**, Skipton (GB)

(73) Assignee: **Silver Cross Holdings Limited**,
Skipton (GB)

* cited by examiner

(**) Term: **14 Years**

Primary Examiner—R. Seifert
(74) *Attorney, Agent, or Firm*—Woodard Emhardt Moriarty
McNett & Henry LLP

(21) Appl. No.: **29/295,236**

(22) Filed: **Sep. 24, 2007**

(57) **CLAIM**

(30) **Foreign Application Priority Data**

The ornamental design for a harness buckle, as shown and described.

May 14, 2007 (EM) 000722673

DESCRIPTION

(51) **LOC (8) Cl.** **02-07**

FIG. 1 is a front view of the harness buckle with the clasp closed.

(52) **U.S. Cl.** **D11/200**

(58) **Field of Classification Search** D11/200,
D11/201, 208–210, 212–218, 220, 230–234,
D11/236–237, 86–87, 94; 24/307, 625, 616,
24/200, 196, 637, 171, 169, 112, 614, 615,
24/174, 163 R, 90.1; D3/215, 221

FIG. 2 is a front view of the harness buckle with the clasp open.

FIG. 3 is a back view of the harness buckle with the clasp closed.

See application file for complete search history.

FIG. 4 is a side view of the harness buckle, the other side is symmetric.

(56) **References Cited**

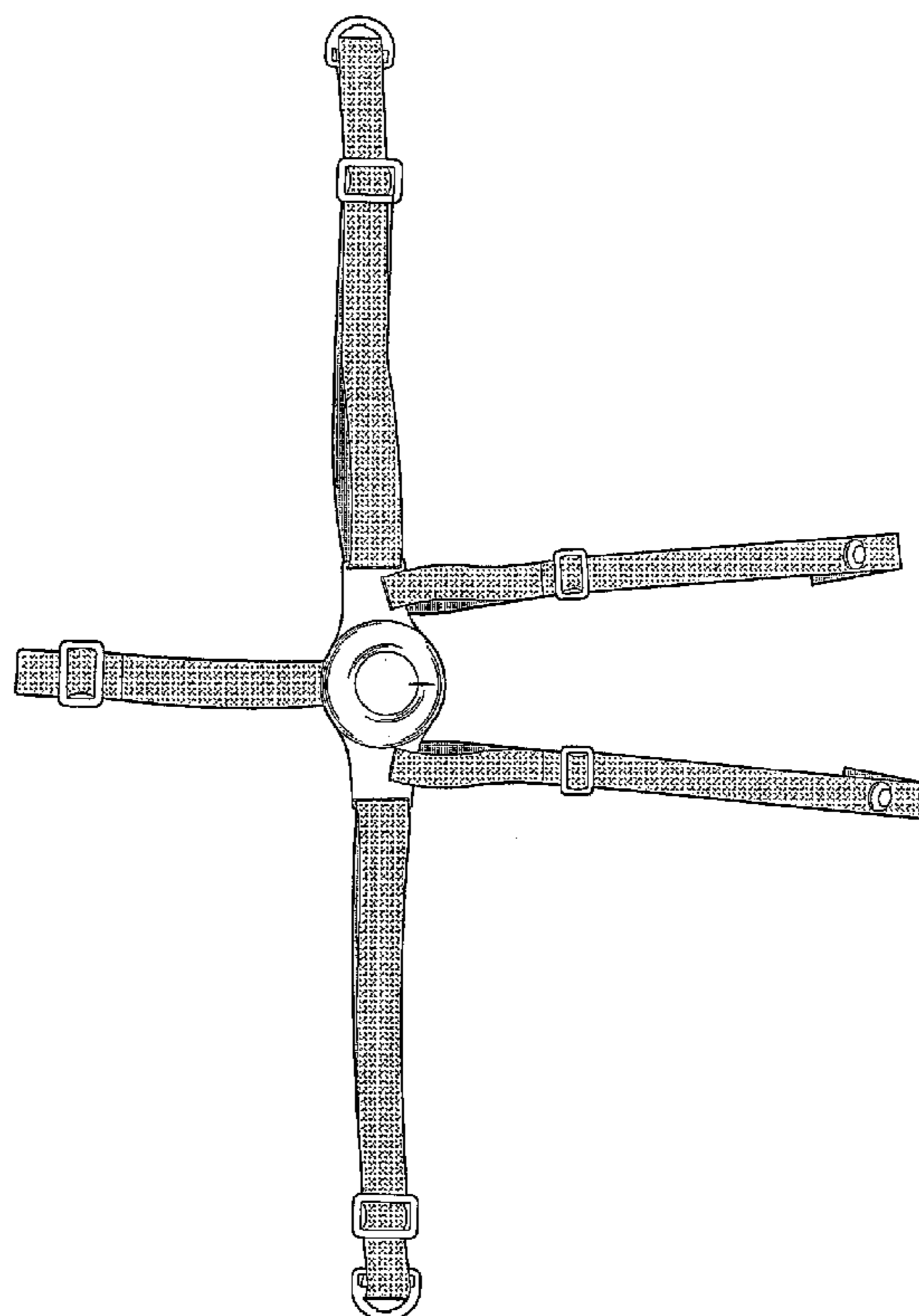
FIG. 5 is a right side view of the harness buckle, the left side view is symmetric; and,

U.S. PATENT DOCUMENTS

D296,484 S * 6/1988 Mathiesen D2/627
D342,348 S * 12/1993 Panarelli D29/101.1
D367,245 S * 2/1996 Triplett et al. D11/216

FIG. 6 is a perspective side view of the harness buckle.

1 Claim, 6 Drawing Sheets



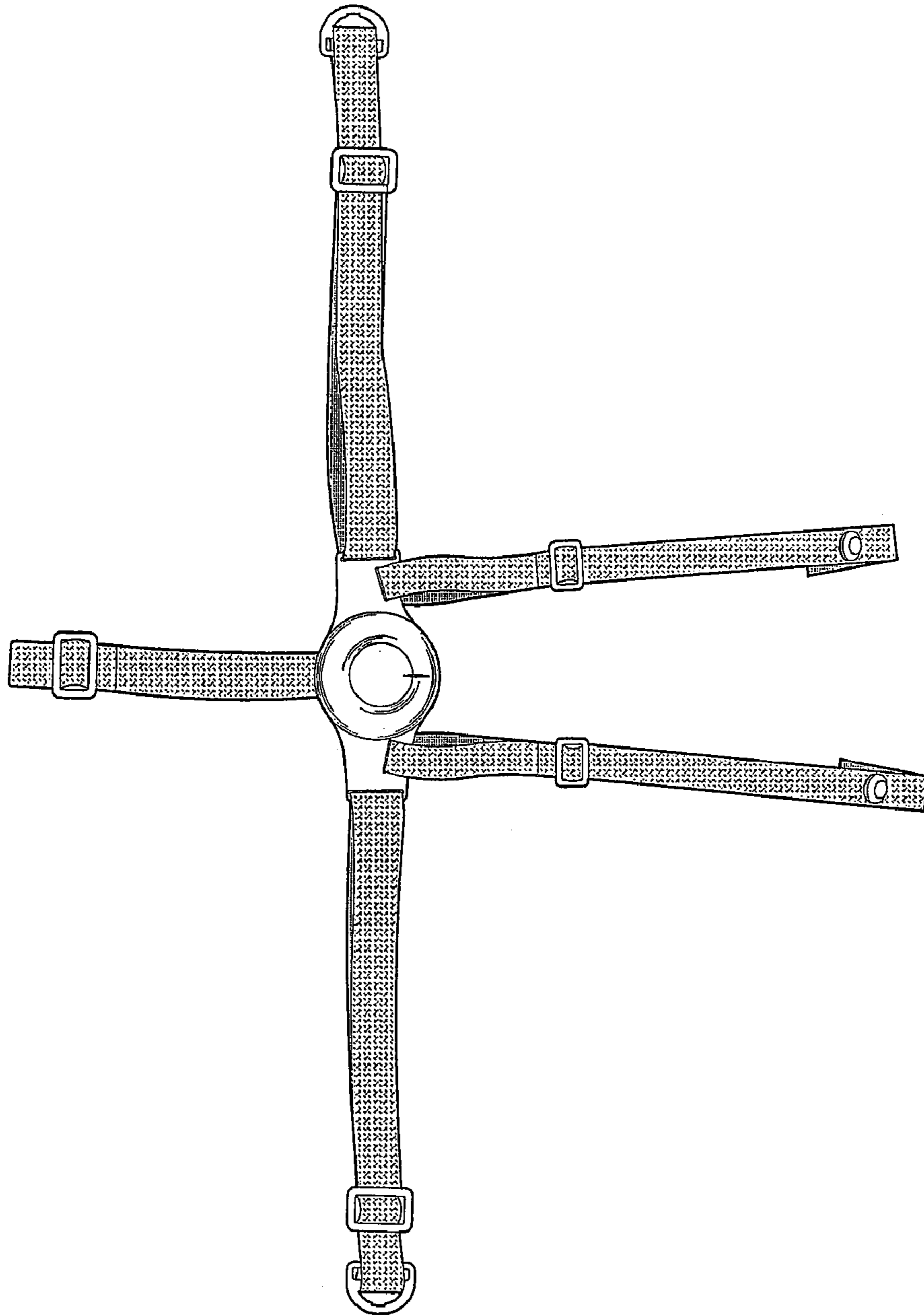
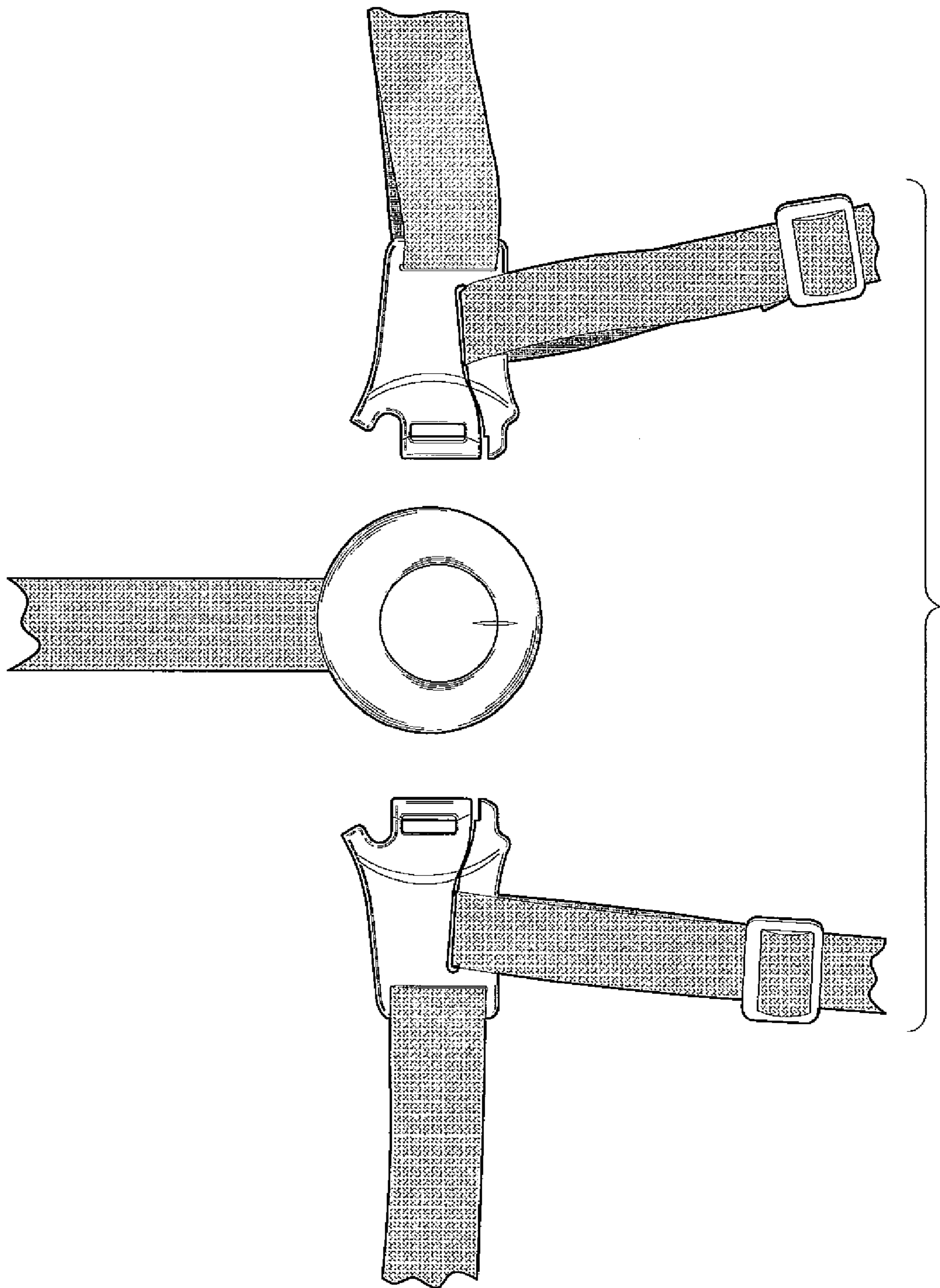


FIGURE 1



TOP CLASP OPEN

Figure 2

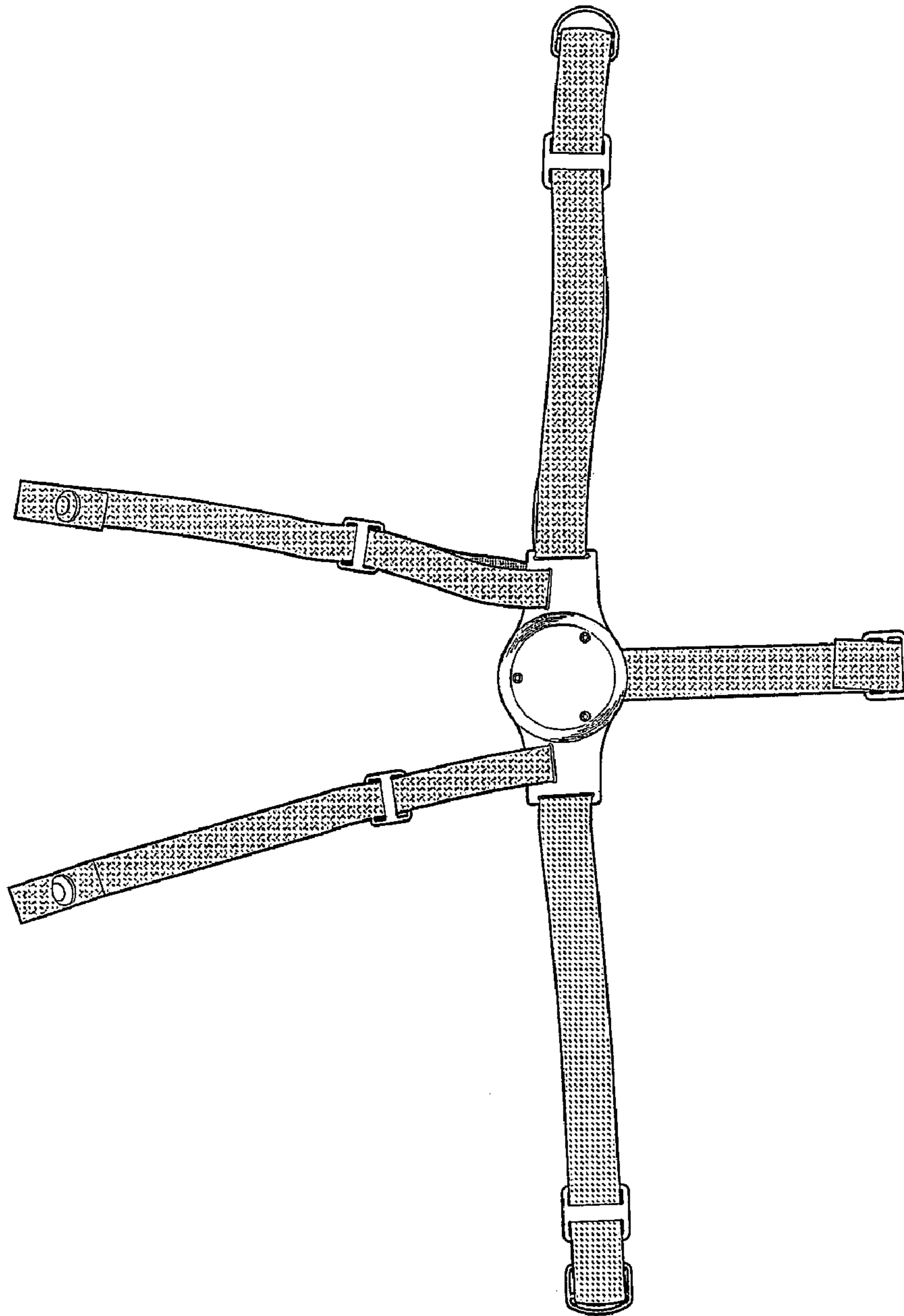


FIGURE 3

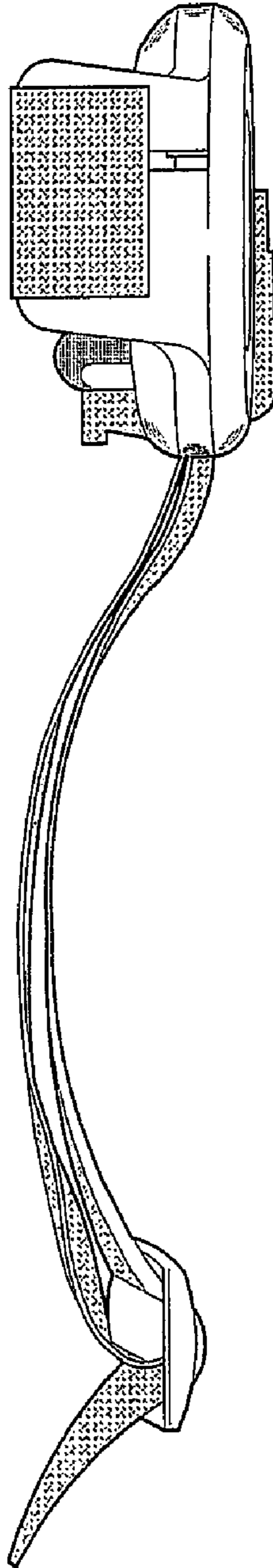


FIGURE 4

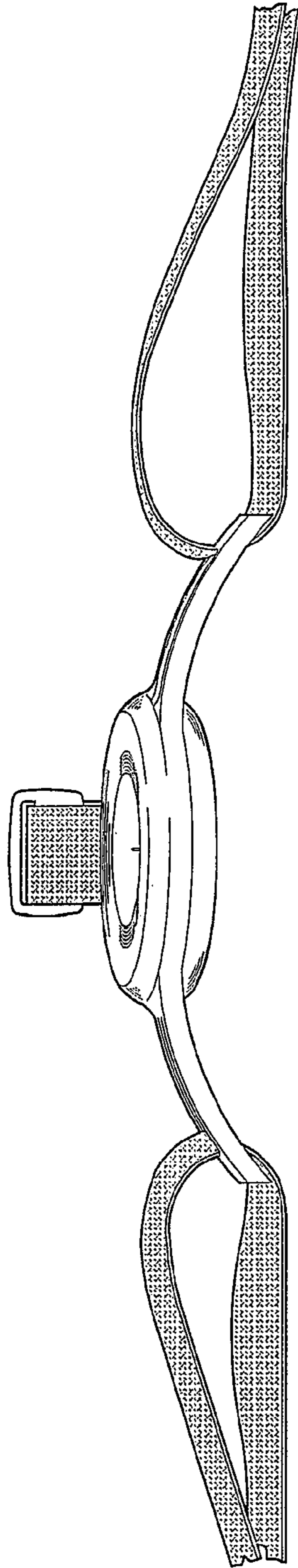


FIGURE 5

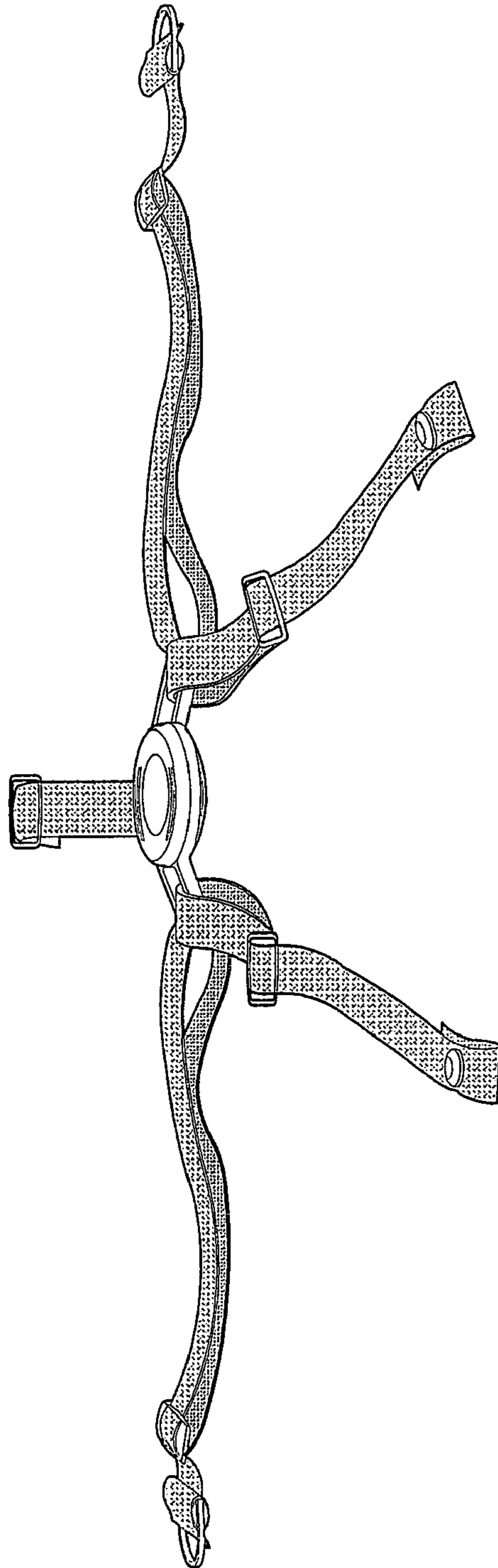


FIGURE 6