



US00D569304S

(12) **United States Design Patent**  
**Kurtz**

(10) **Patent No.:** **US D569,304 S**

(45) **Date of Patent:** **\*\* May 20, 2008**

(54) **SELF-SUPPORTING LIVE GOODS CAGE**

(75) Inventor: **Jennifer A. Kurtz**, Cheshire, CT (US)

(73) Assignee: **Hubie Grown, LLC**, Cheshire, CT (US)

(\*\*) Term: **14 Years**

(21) Appl. No.: **29/289,074**

(22) Filed: **Jul. 3, 2007**

(51) **LOC (8) Cl.** ..... **11-02**

(52) **U.S. Cl.** ..... **D11/156; D6/405**

(58) **Field of Classification Search** ..... D6/403-405;  
D11/143-149, 155, 156; D25/100; D30/108,  
D30/109, 114, 119; D99/19; 47/32.7, 33,  
47/41.01, 41.1, 41.11, 44-47, 65, 65.5, 66.2,  
47/66.7, 67-69, 83, 84

See application file for complete search history.

(56) **References Cited**

U.S. PATENT DOCUMENTS

- 2,261,326 A \* 11/1941 Atkisson et al. .... 47/41.11
- D194,429 S \* 1/1963 Kuhn ..... D11/156
- 3,082,575 A \* 3/1963 Schulz ..... D11/144
- 3,113,400 A \* 12/1963 Emond ..... 47/45
- D239,898 S \* 5/1976 Kirshenbaum ..... D6/499
- D259,867 S \* 7/1981 Kenyon et al. .... D11/155
- 4,407,092 A \* 10/1983 Ware ..... D11/143

- D305,800 S \* 1/1990 Mottmiller et al. .... D25/100
- D363,615 S \* 10/1995 Vukelich, Sr. .... D6/405
- D419,405 S \* 1/2000 Wagoner ..... D8/1
- D424,472 S \* 5/2000 Grosfillex ..... D11/155
- D446,157 S \* 8/2001 Glenn ..... D11/156
- D526,509 S \* 8/2006 Glamos ..... D6/403

\* cited by examiner

*Primary Examiner*—Caron D. Veynar

*Assistant Examiner*—Garth Rademaker

(74) *Attorney, Agent, or Firm*—Ware, Fressola, Van Der Sluys & Adolphson

(57) **CLAIM**

The ornamental design for a self-supporting live goods cage, as shown.

**DESCRIPTION**

FIG. 1 is a perspective view of a self-supporting live goods cage showing my new design;

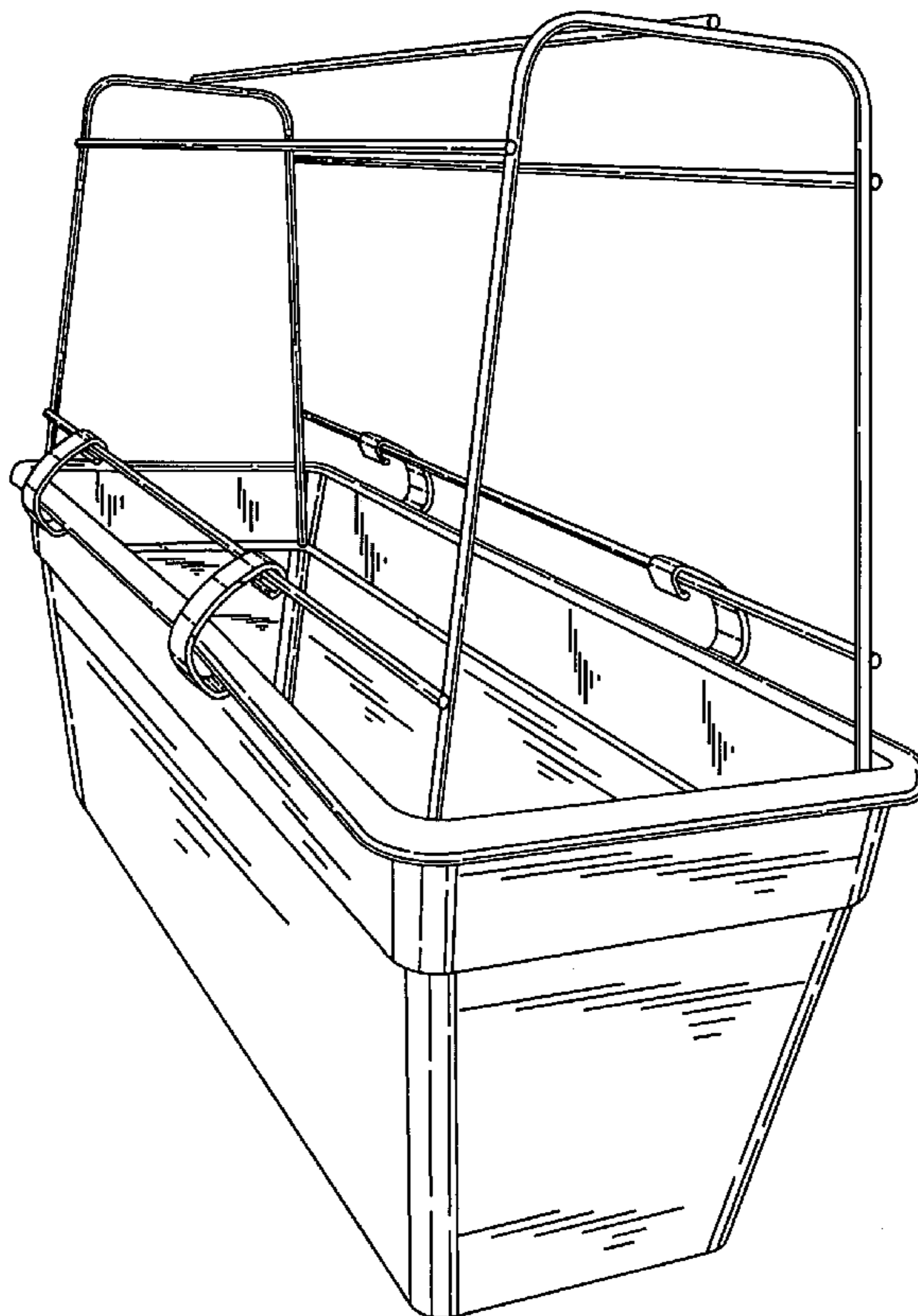
FIG. 2 is a right side elevation view thereof, the left side elevation view being identical thereto;

FIG. 3 is a front elevation view thereof, the rear elevation view being identical thereto;

FIG. 4 is a top plan view thereof; and,

FIG. 5 is a bottom plan view thereof.

**1 Claim, 3 Drawing Sheets**



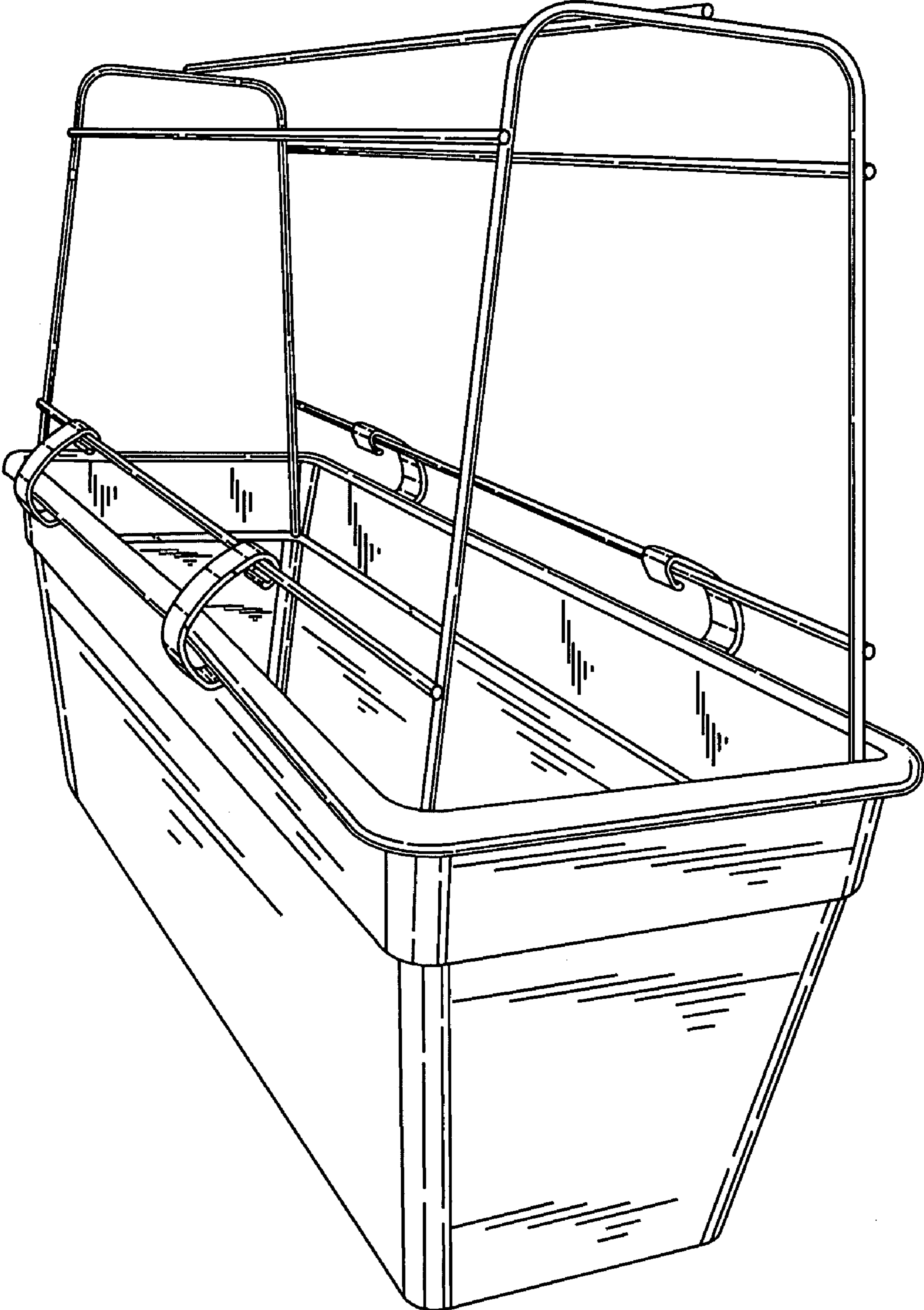


FIG. 1

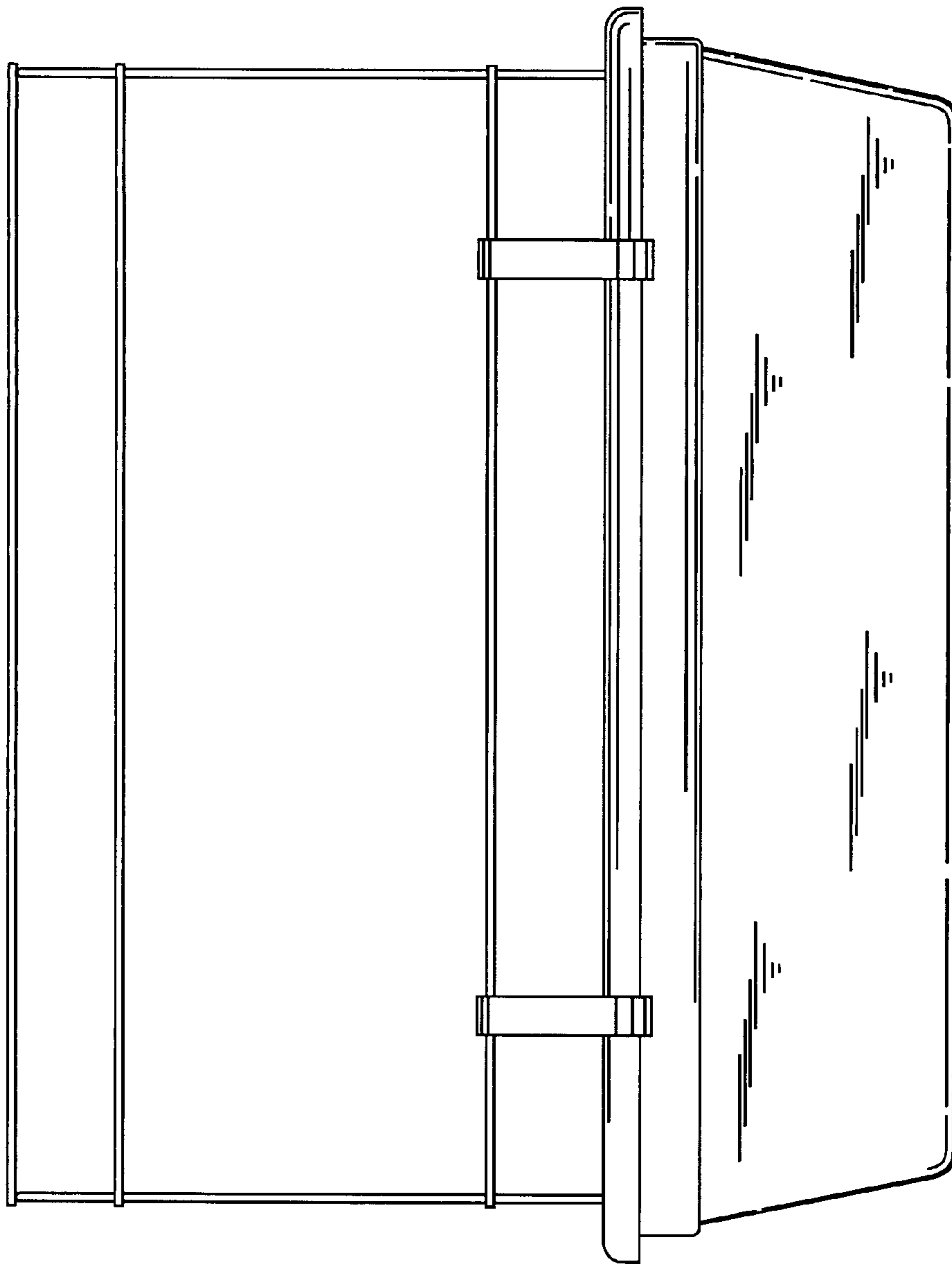


FIG. 3

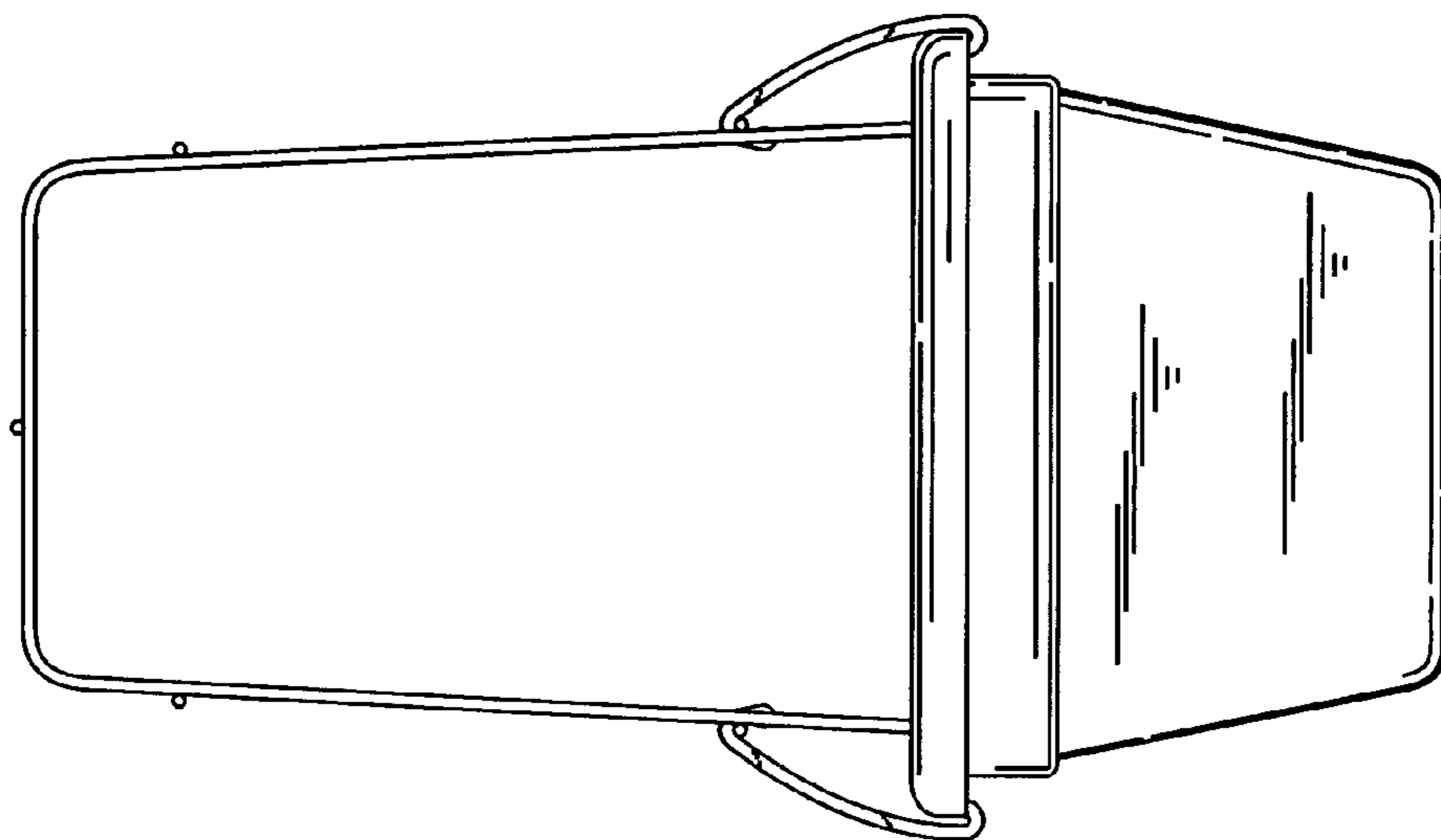


FIG. 2

FIG. 4

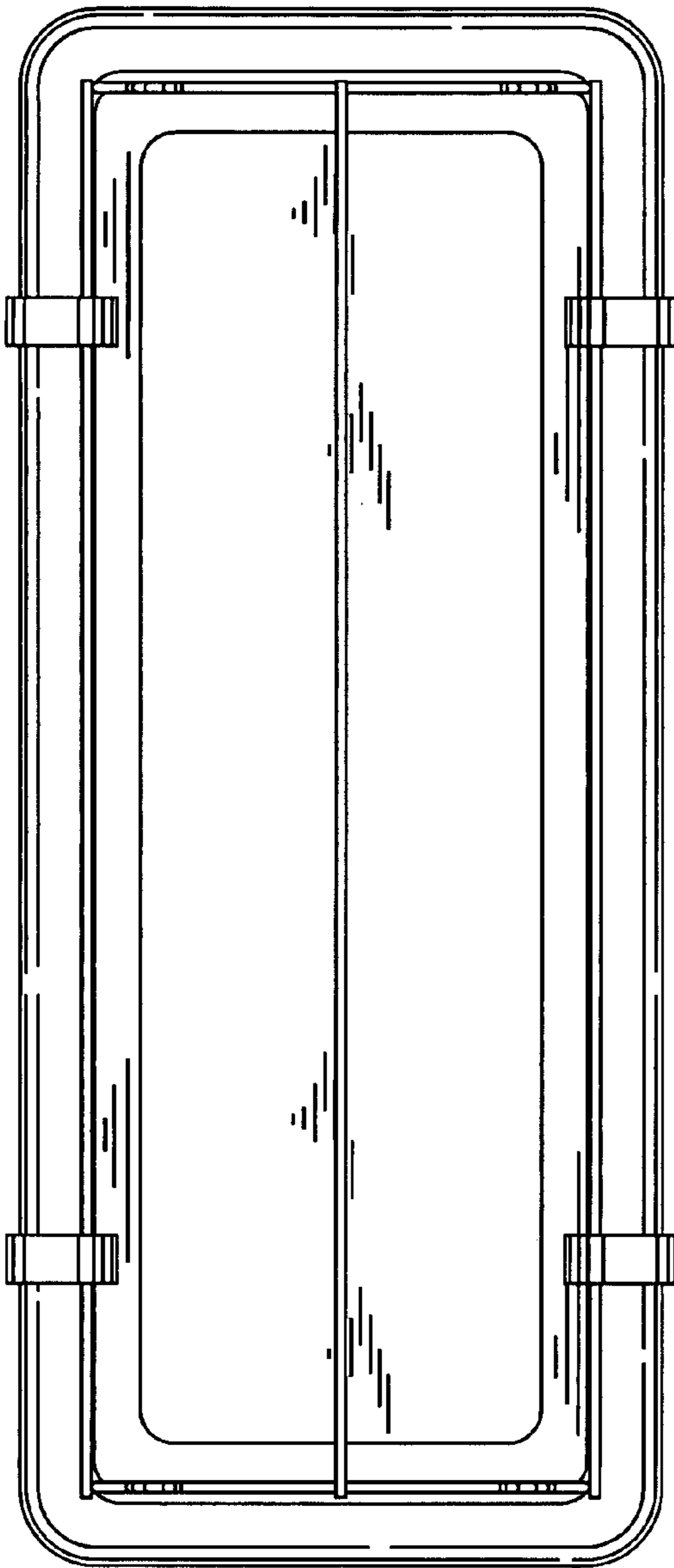


FIG. 5

