



US00D569303S

(12) **United States Design Patent**
Kurtz

(10) **Patent No.:** **US D569,303 S**

(45) **Date of Patent:** **** May 20, 2008**

(54) **SELF-SUPPORTING LIVE GOODS CAGE**

(75) Inventor: **Jennifer A. Kurtz**, Cheshire, CT (US)

(73) Assignee: **Hubie Grown, LLC**, Cheshire, CT (US)

(**) Term: **14 Years**

(21) Appl. No.: **29/289,069**

(22) Filed: **Jul. 3, 2007**

(51) **LOC (8) Cl.** **11-02**

(52) **U.S. Cl.** **D11/155; D6/405**

(58) **Field of Classification Search** D6/403-405;
D11/143-149, 155, 156; D25/100; D30/108,
D30/109, 114, 119; D99/19; 47/32.7, 33,
47/41.01, 41.1, 41.11, 44-47, 65, 65.5, 66.2,
47/66.7, 67-69, 83, 84

See application file for complete search history.

(56) **References Cited**

U.S. PATENT DOCUMENTS

- 221,620 A * 11/1879 Sikes 47/47
- 374,906 A * 12/1887 Rovane 47/47
- 2,261,326 A * 11/1941 Atkisson et al. 47/41.11
- 3,113,400 A * 12/1963 Emond 47/45
- D259,867 S * 7/1981 Kenyon et al. D11/155
- D305,800 S * 1/1990 Mottmiller et al. D25/100
- D363,615 S * 10/1995 Vukelich, Sr. D6/405
- D402,431 S * 12/1998 Peterson D25/100
- D419,405 S * 1/2000 Wagoner D8/1

- D424,472 S * 5/2000 Grosfillex D11/155
- D451,298 S * 12/2001 Thomas D6/404
- D526,509 S * 8/2006 Glamos D6/403
- 7,152,368 B2 * 12/2006 Swanson 47/46

FOREIGN PATENT DOCUMENTS

GB 2057341 * 10/1996

* cited by examiner

Primary Examiner—Caron D. Veynar

Assistant Examiner—Garth Rademaker

(74) *Attorney, Agent, or Firm*—Ware, Fressola, Van Der Sluys & Adolphson

(57) **CLAIM**

The ornamental design for a self supporting live goods cage, as shown.

DESCRIPTION

FIG. 1 is a perspective view of a self-supporting live goods cage showing my new design;

FIG. 2 is a front elevation view thereof;

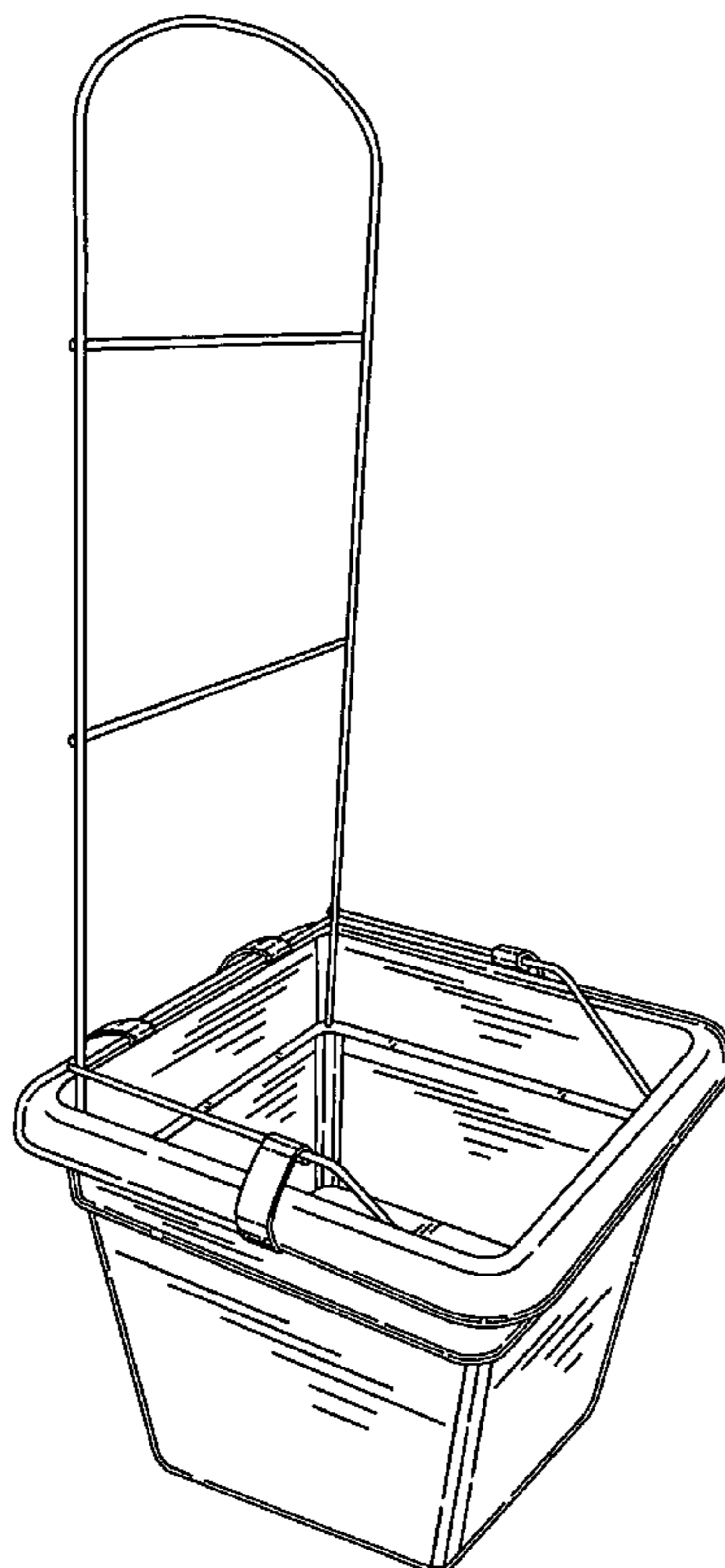
FIG. 3 is a left side elevation view thereof, the right side elevation view being a mirror image thereof;

FIG. 4 is a rear elevation view thereof;

FIG. 5 is a top plan view thereof; and,

FIG. 6 is a bottom plan view thereof.

1 Claim, 3 Drawing Sheets



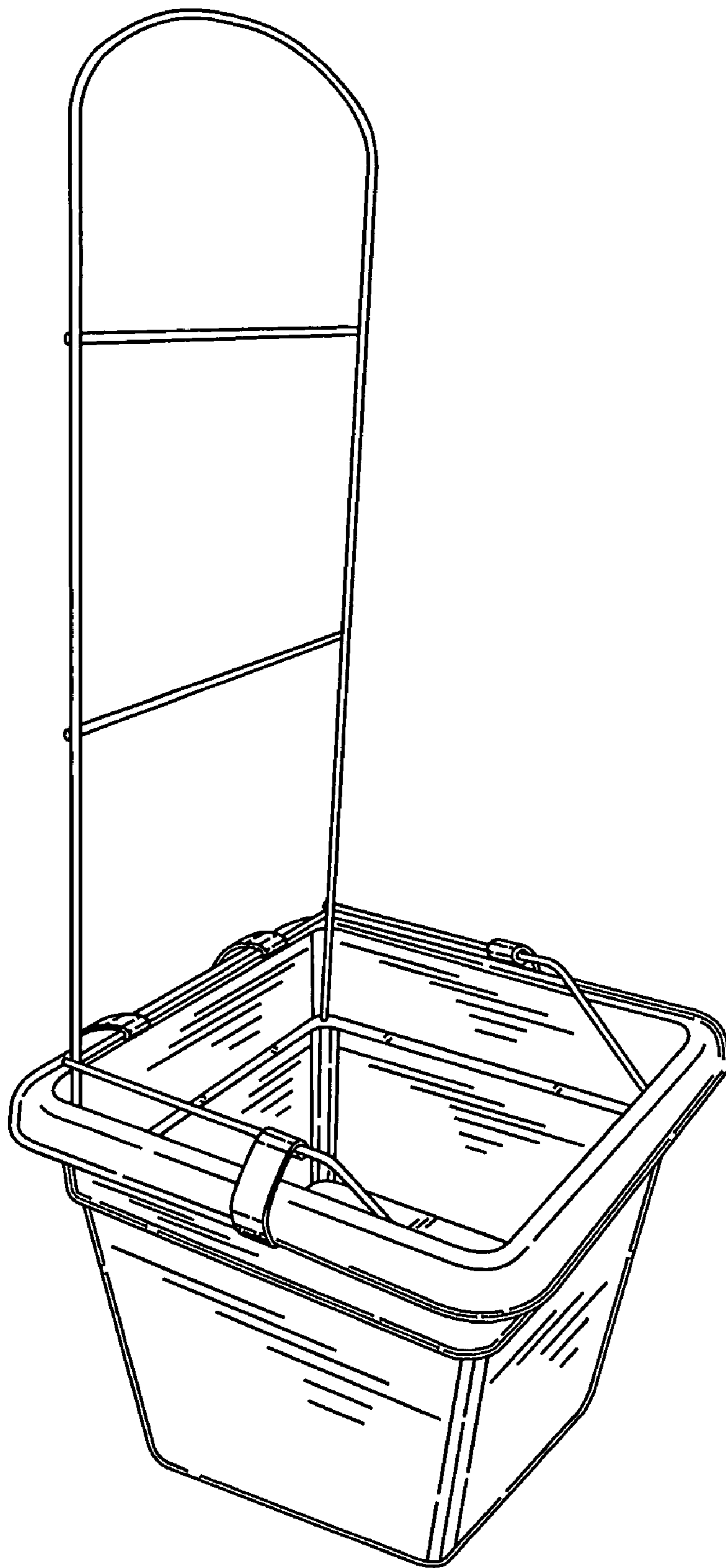


FIG. 1

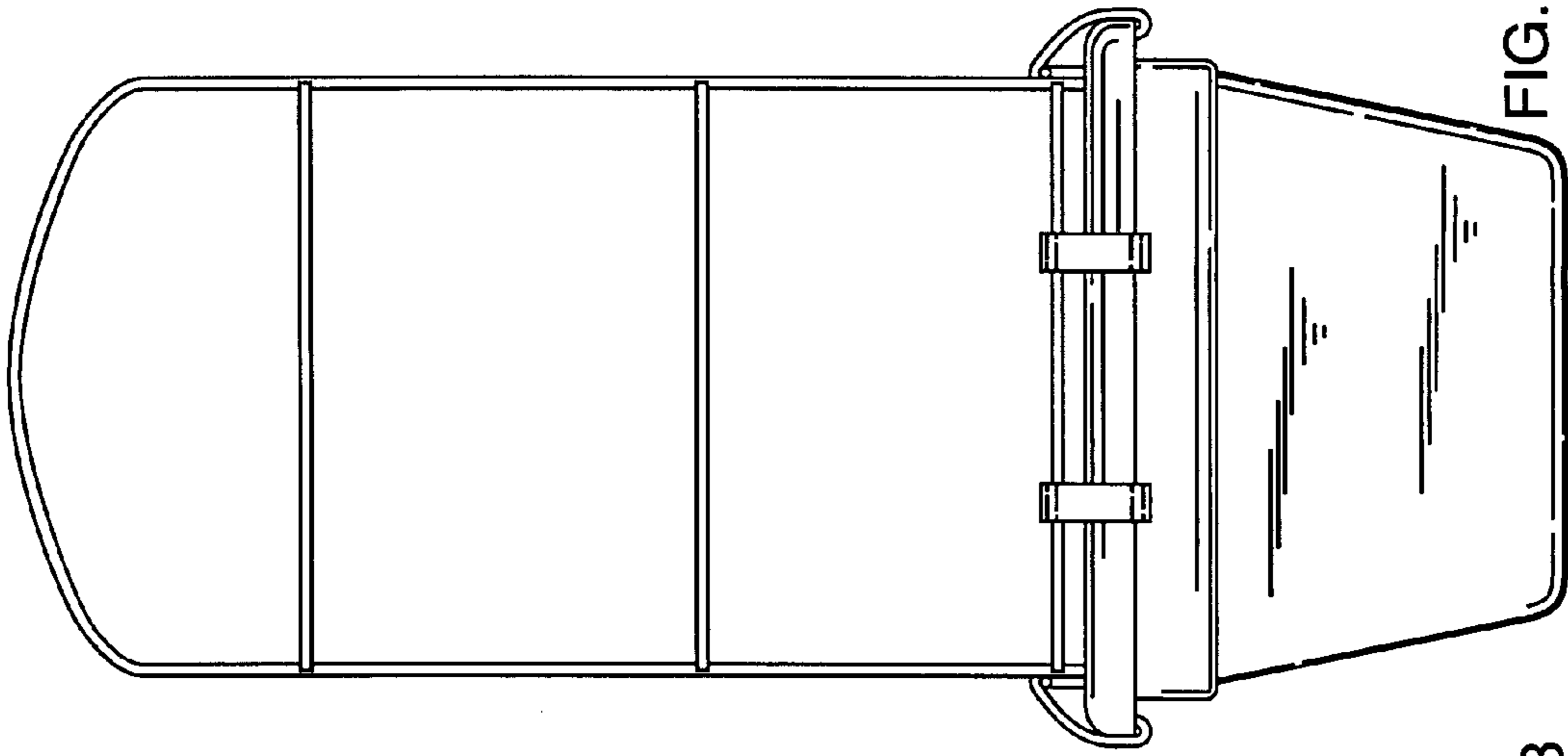


FIG. 4

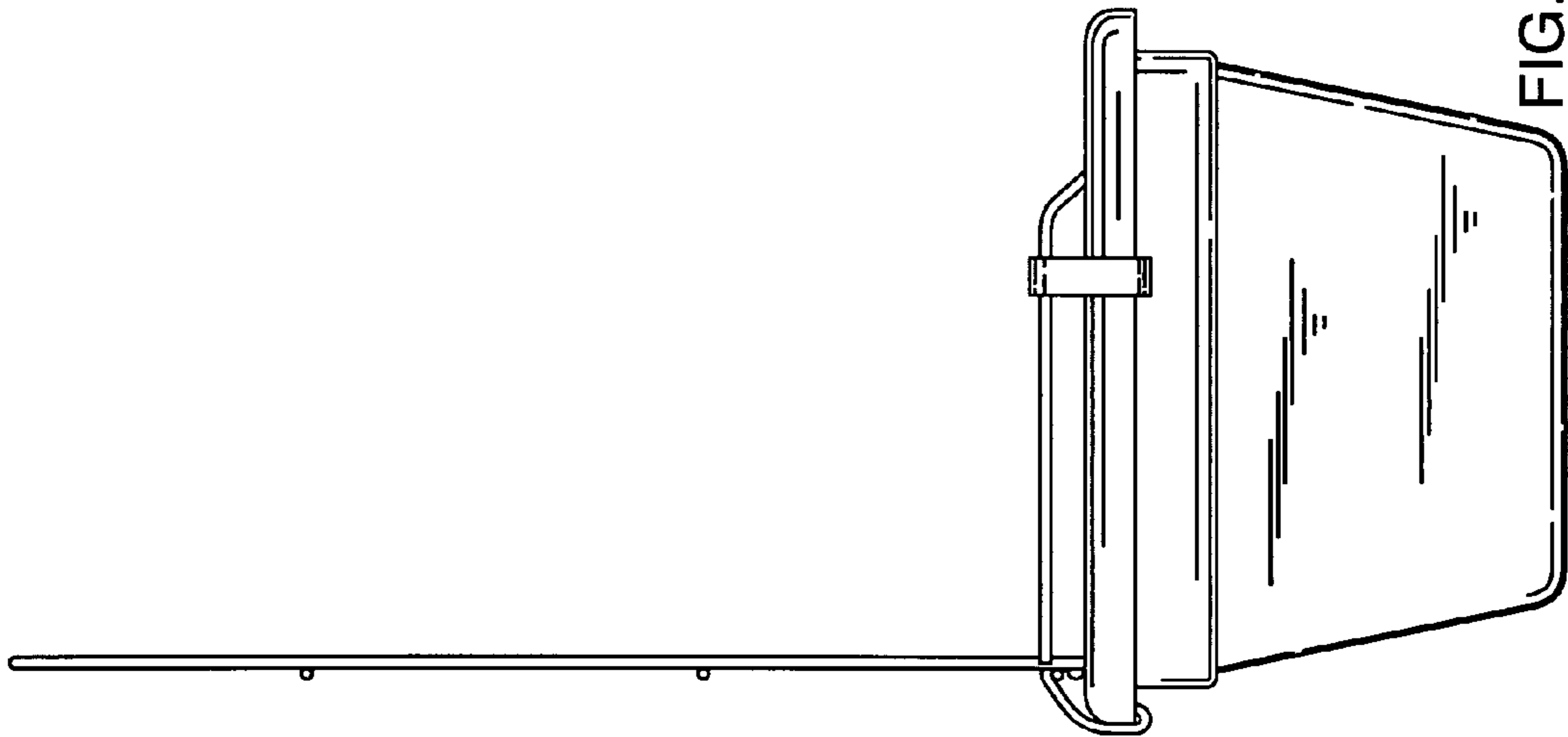


FIG. 3

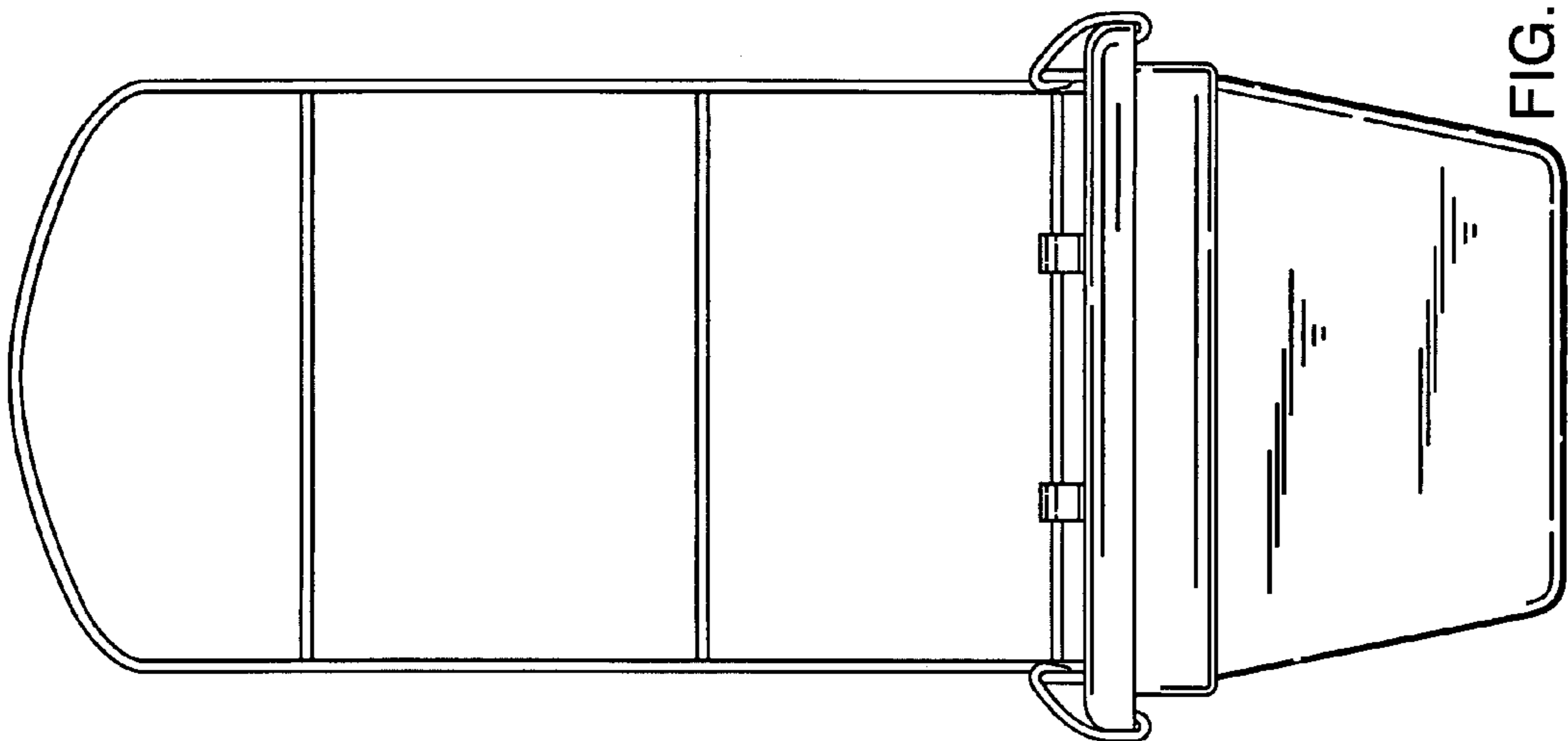


FIG. 2

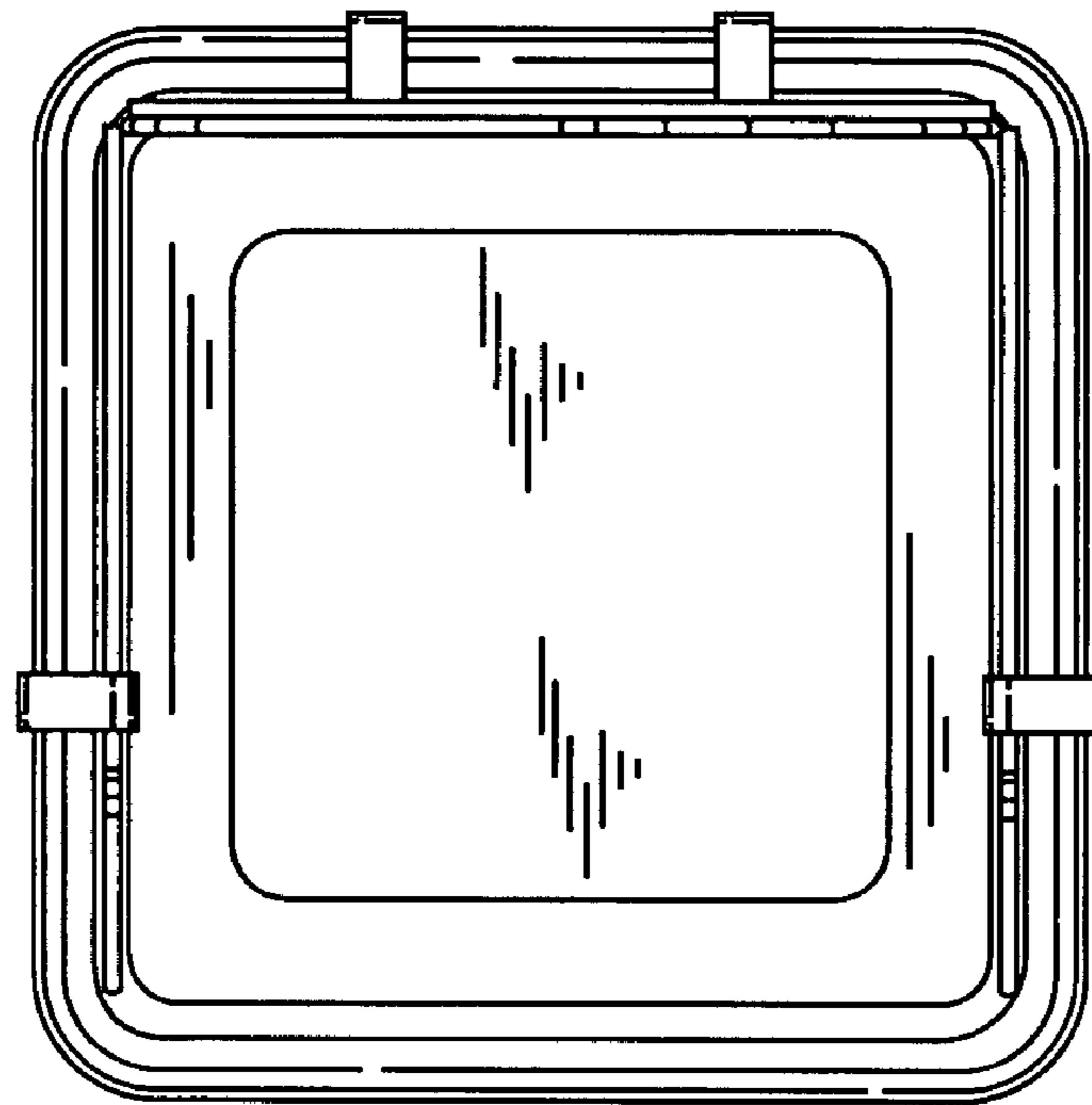


FIG. 5

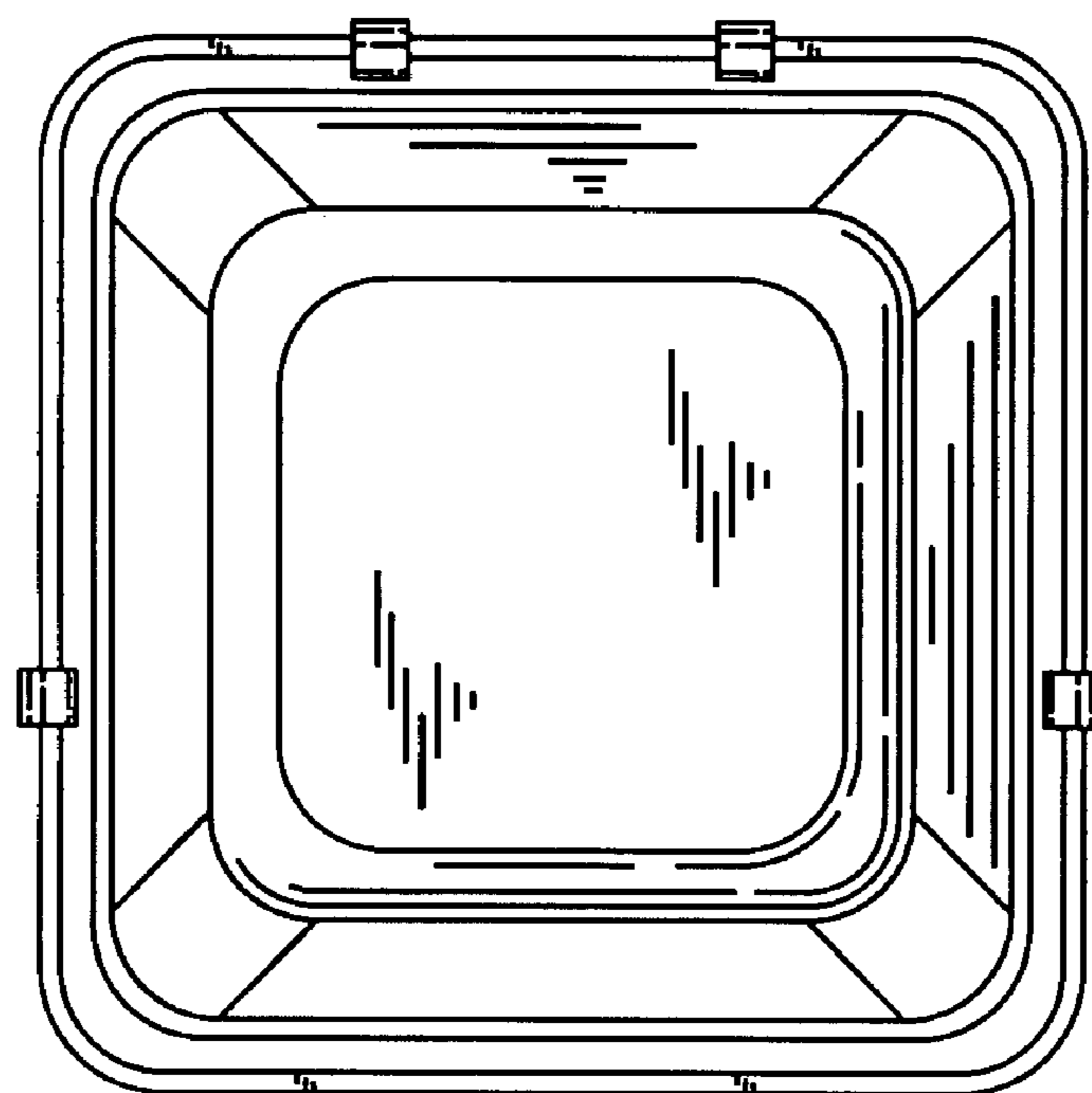


FIG. 6