

US00D569295S

(12) **United States Design Patent**
Doughty

(10) **Patent No.:** **US D569,295 S**

(45) **Date of Patent:** **** May 20, 2008**

(54) **BRACELET OR RING**

(76) Inventor: **Gary Doughty**, 1795 Merikoke Ave.,
New York, NY (US) 11793

(**) Term: **14 Years**

(21) Appl. No.: **29/272,187**

(22) Filed: **Feb. 2, 2007**

(51) **LOC (8) Cl.** **11-01**

(52) **U.S. Cl.** **D11/31**

(58) **Field of Classification Search** D11/1-8,
D11/11, 13, 15, 18, 20, 22, 26, 27, 30-39,
D11/43, 44, 75-79, 81, 86, 89, 90, 91; 59/78,
59/79.2; 63/1.11, 3, 3.1, 3.2, 5.1, 5.2, 7-11;
256/45; 224/164-175; 245/4, 5, 7
See application file for complete search history.

(56) **References Cited**

U.S. PATENT DOCUMENTS

D88,561 S * 12/1932 Levi D11/28

D148,723 S * 2/1948 Richey D11/27
D237,815 S * 11/1975 Bulgari et al. D11/5
D267,481 S * 1/1983 Barr D11/27
D268,013 S * 2/1983 Stimmler D11/27
D443,222 S * 6/2001 Cabarbaye D11/26
6,837,037 B2 * 1/2005 Willinger 59/85

* cited by examiner

Primary Examiner—Louis S Zarfaz

Assistant Examiner—Michael A Pratt

(57) **CLAIM**

The ornamental design for a bracelet or ring, as shown and described.

DESCRIPTION

FIG. 1 is a perspective view illustrating a bracelet or ring;
FIG. 2 is top view thereof;
FIG. 3 is a front elevation thereof; and,
FIG. 4 is a rear elevation thereof.

1 Claim, 1 Drawing Sheet

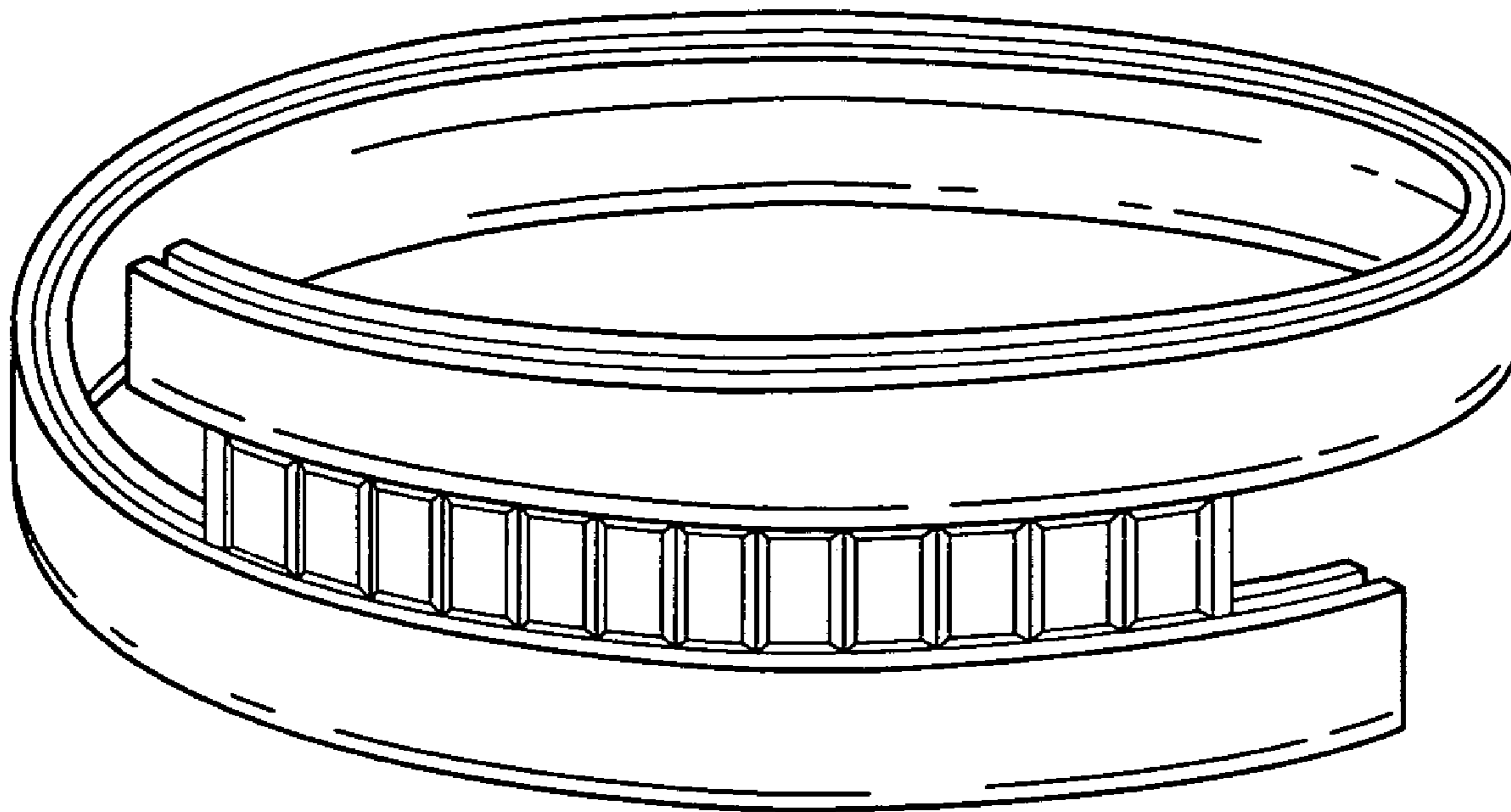


Fig. 1

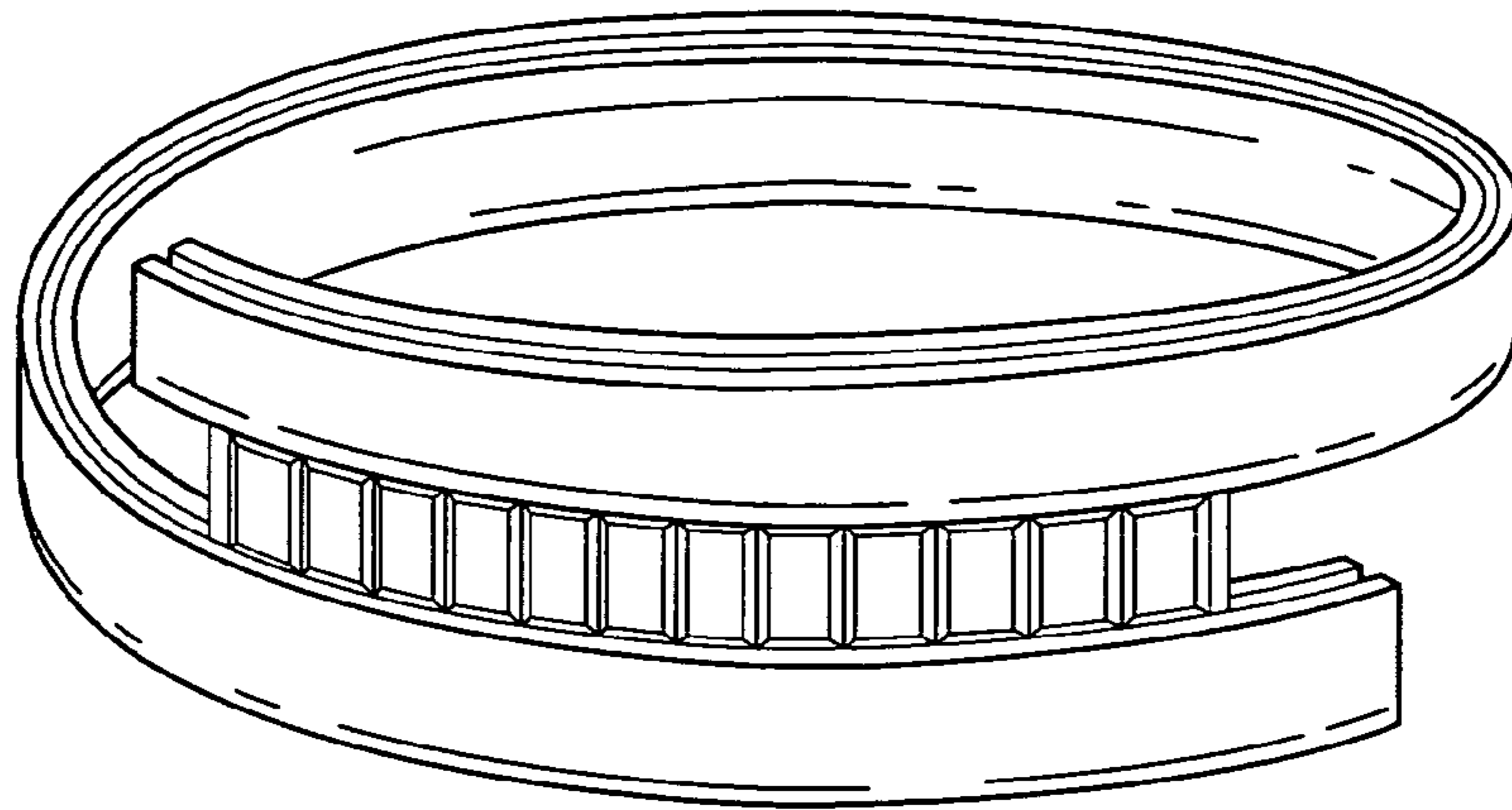


Fig. 2

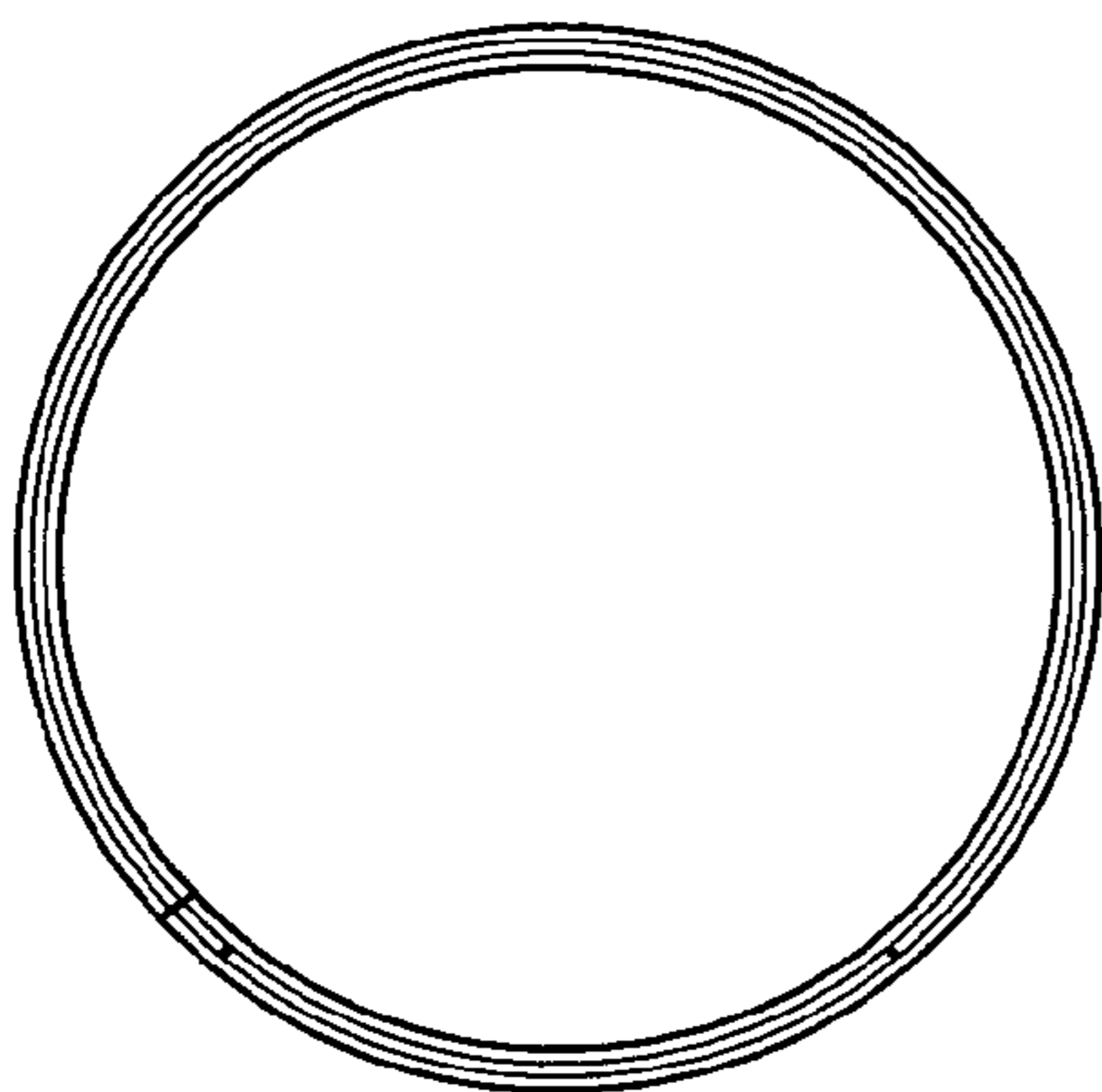


Fig. 3

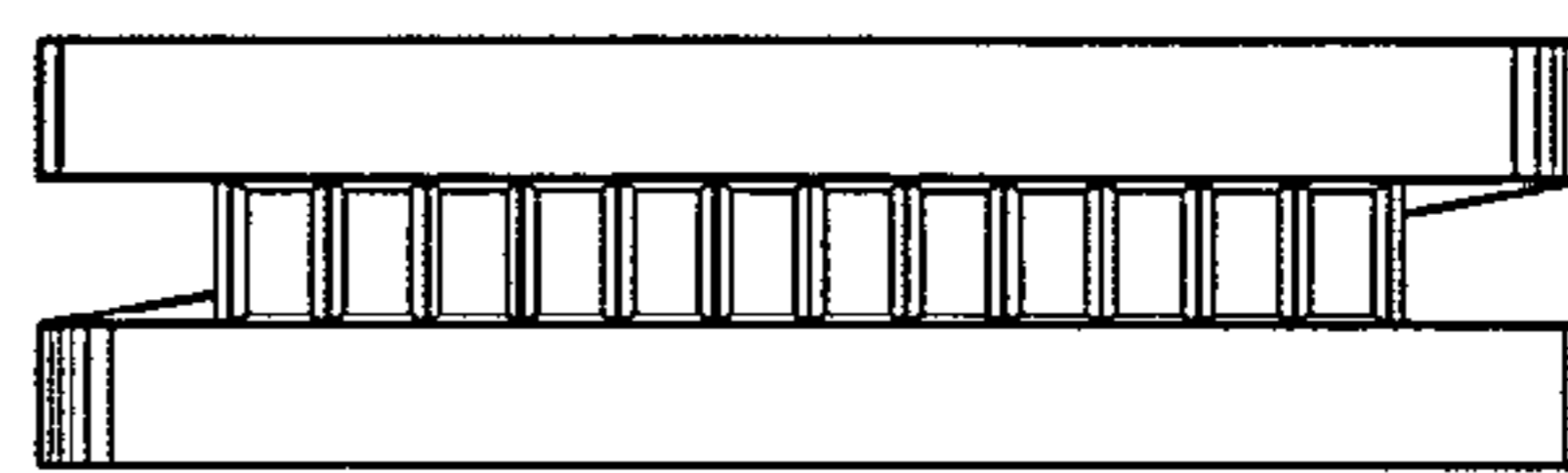


Fig. 4

