

US00D569283S

(12) **United States Design Patent**  
**Huang**

(10) **Patent No.:** **US D569,283 S**

(45) **Date of Patent:** **\*\* May 20, 2008**

(54) **LASER GUIDED DEVICE**

D519,045 S \* 4/2006 Wu ..... D10/70  
D554,547 S \* 11/2007 Lin ..... D10/70

(75) Inventor: **Chiu-Tien Huang**, Chang Hua Hsien (TW)

\* cited by examiner

(73) Assignee: **Giant Brand Enterprise Co., Ltd.**, Chang Hua Hsien (TW)

*Primary Examiner*—Antoine D. Davis  
(74) *Attorney, Agent, or Firm*—Alan Kamrath; Kamrath & Associates PA

(\*\*) Term: **14 Years**

(57) **CLAIM**

(21) Appl. No.: **29/282,029**

The ornamental design for a laser guided device, as shown and described.

(22) Filed: **Jul. 10, 2007**

(51) **LOC (8) Cl.** ..... **10-04**

(52) **U.S. Cl.** ..... **D10/70**

(58) **Field of Classification Search** ..... D10/70;  
356/20–21, 5, 8–9, 4.07, 11, 15; 33/277,  
33/297–298, 284; 342/458, 357.03, 357.08,  
342/358; 455/67.4–67.7; 473/407; 702/159  
See application file for complete search history.

**DESCRIPTION**

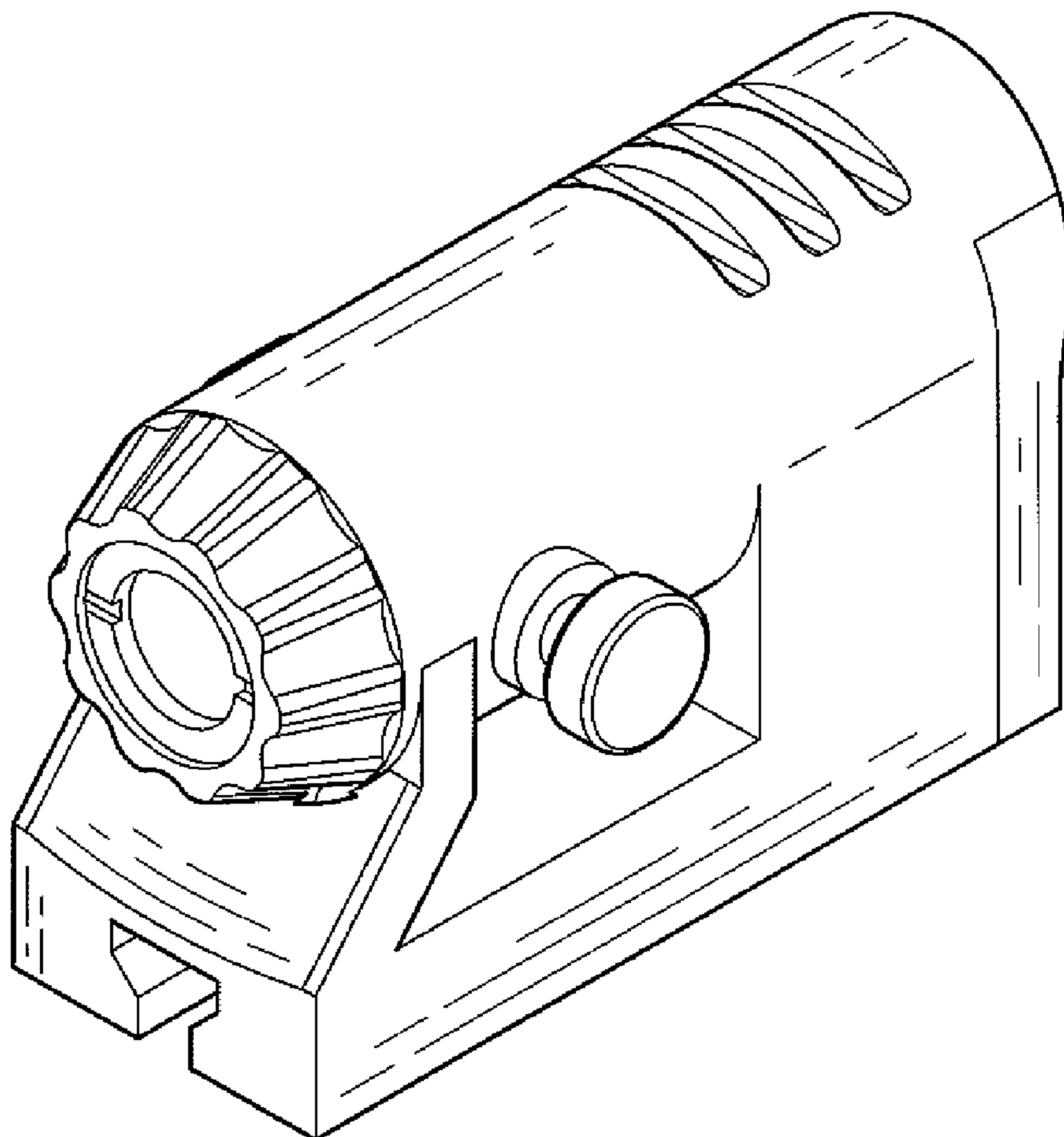
FIG. 1 is a perspective view of a laser guided device showing my design;  
FIG. 2 is a front elevational view thereof;  
FIG. 3 is a rear elevational view thereof;  
FIG. 4 is a left side elevational view thereof;  
FIG. 5 is a right side elevational view thereof;  
FIG. 6 is a top plan view thereof; and,  
FIG. 7 is a bottom plan view thereof.

(56) **References Cited**

**U.S. PATENT DOCUMENTS**

D409,101 S \* 5/1999 Howard et al. .... D10/70  
D511,467 S \* 11/2005 Sanoner ..... D10/70

**1 Claim, 4 Drawing Sheets**



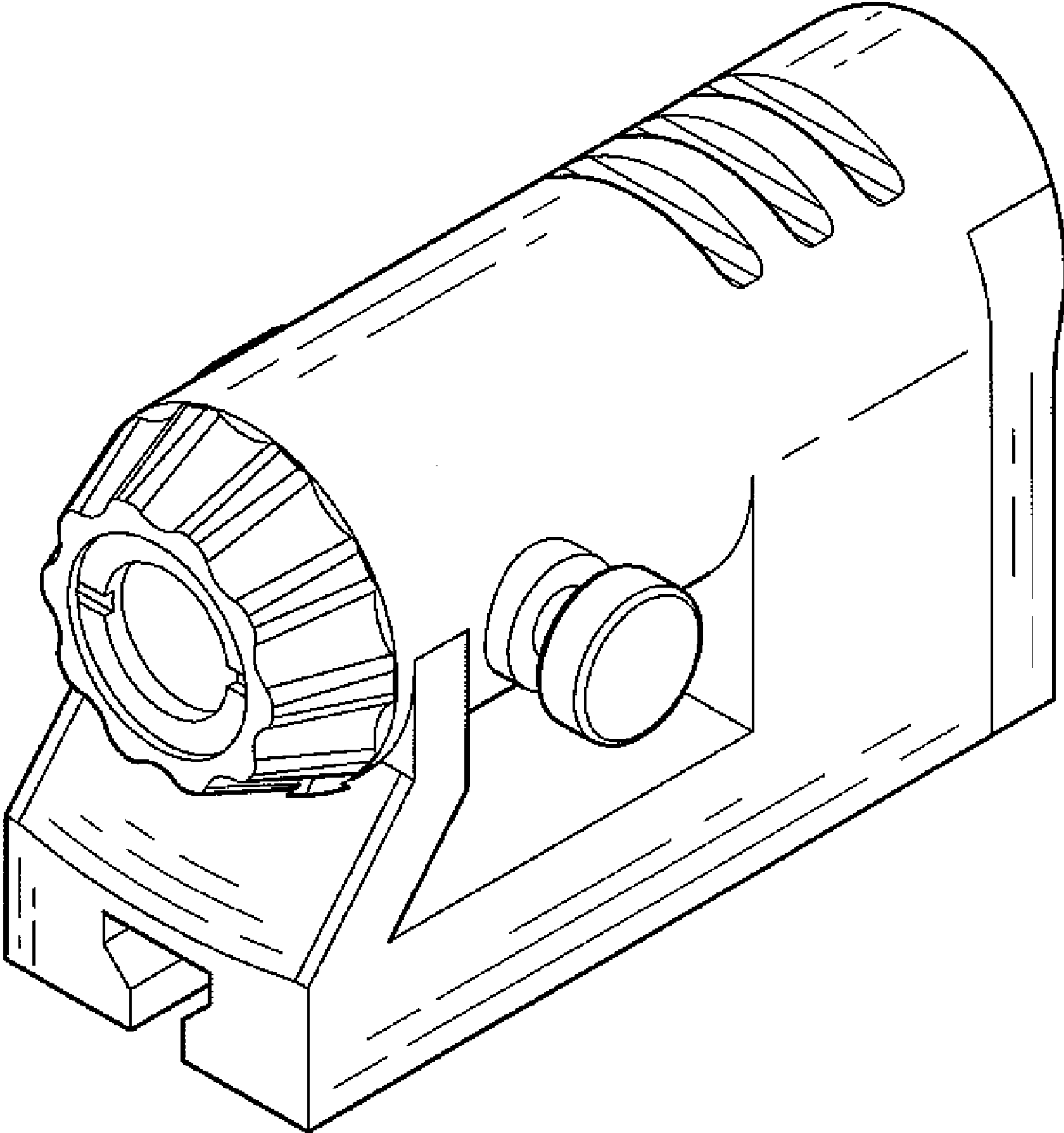


FIG. 1

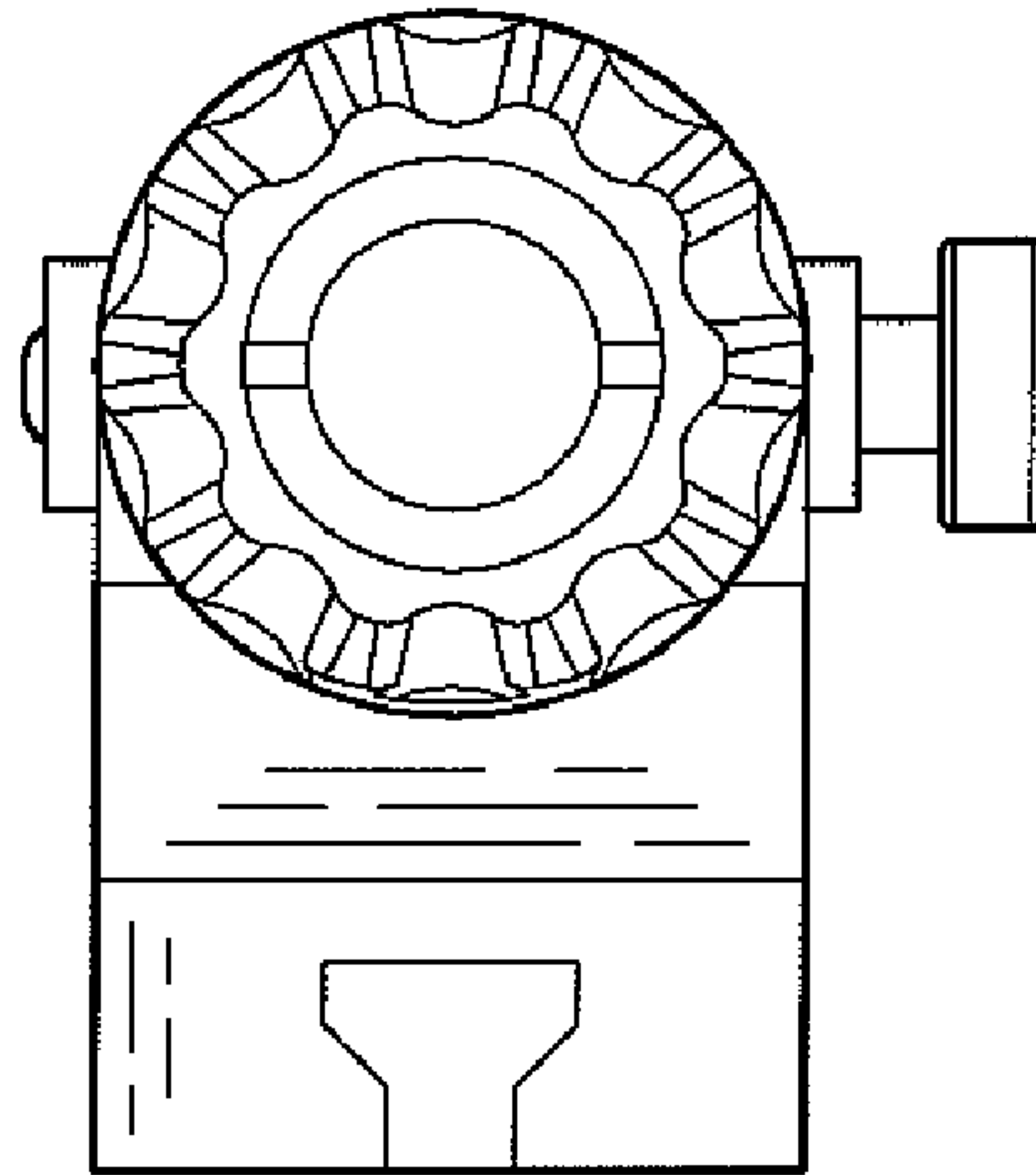


FIG. 2

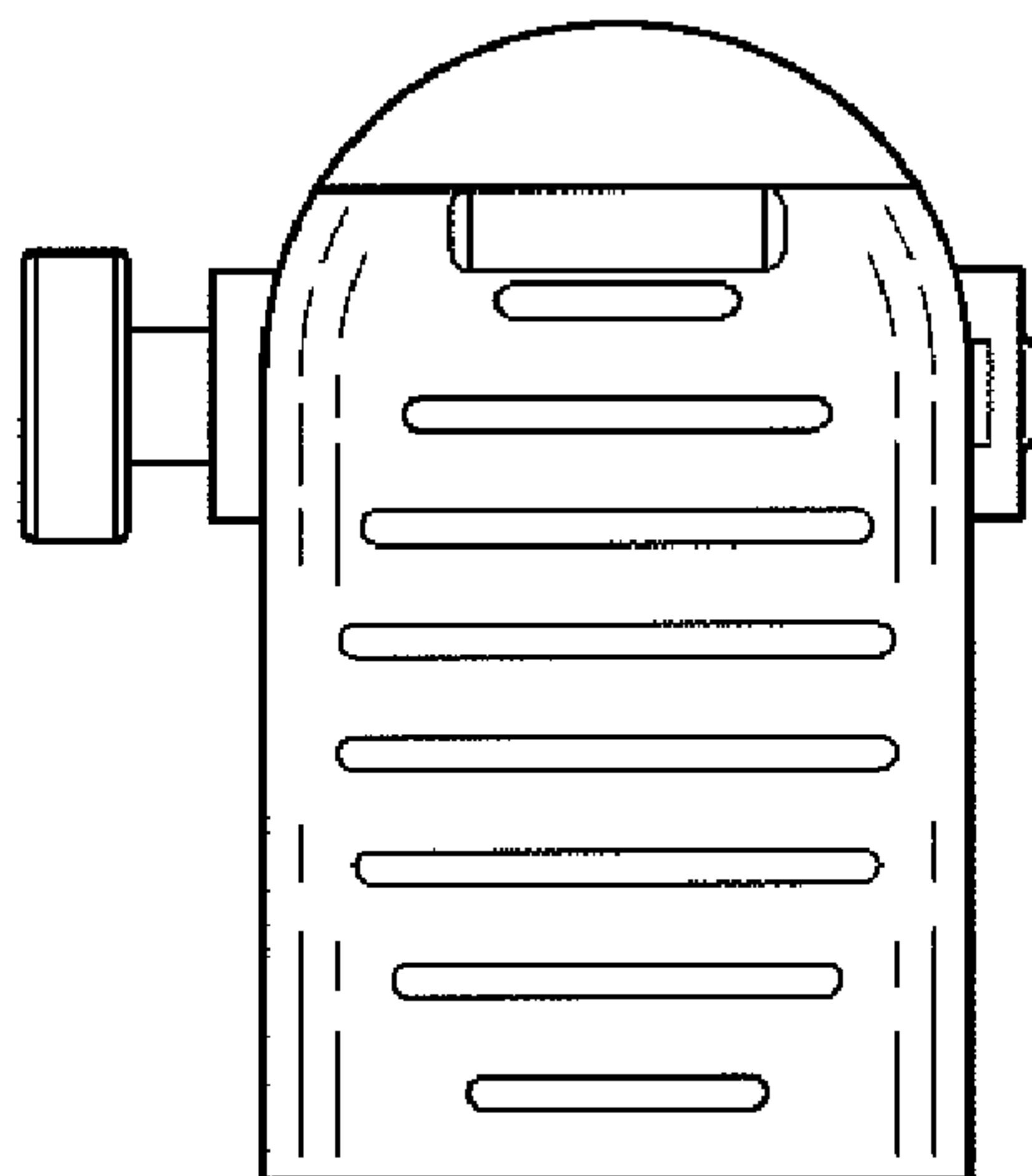


FIG. 3

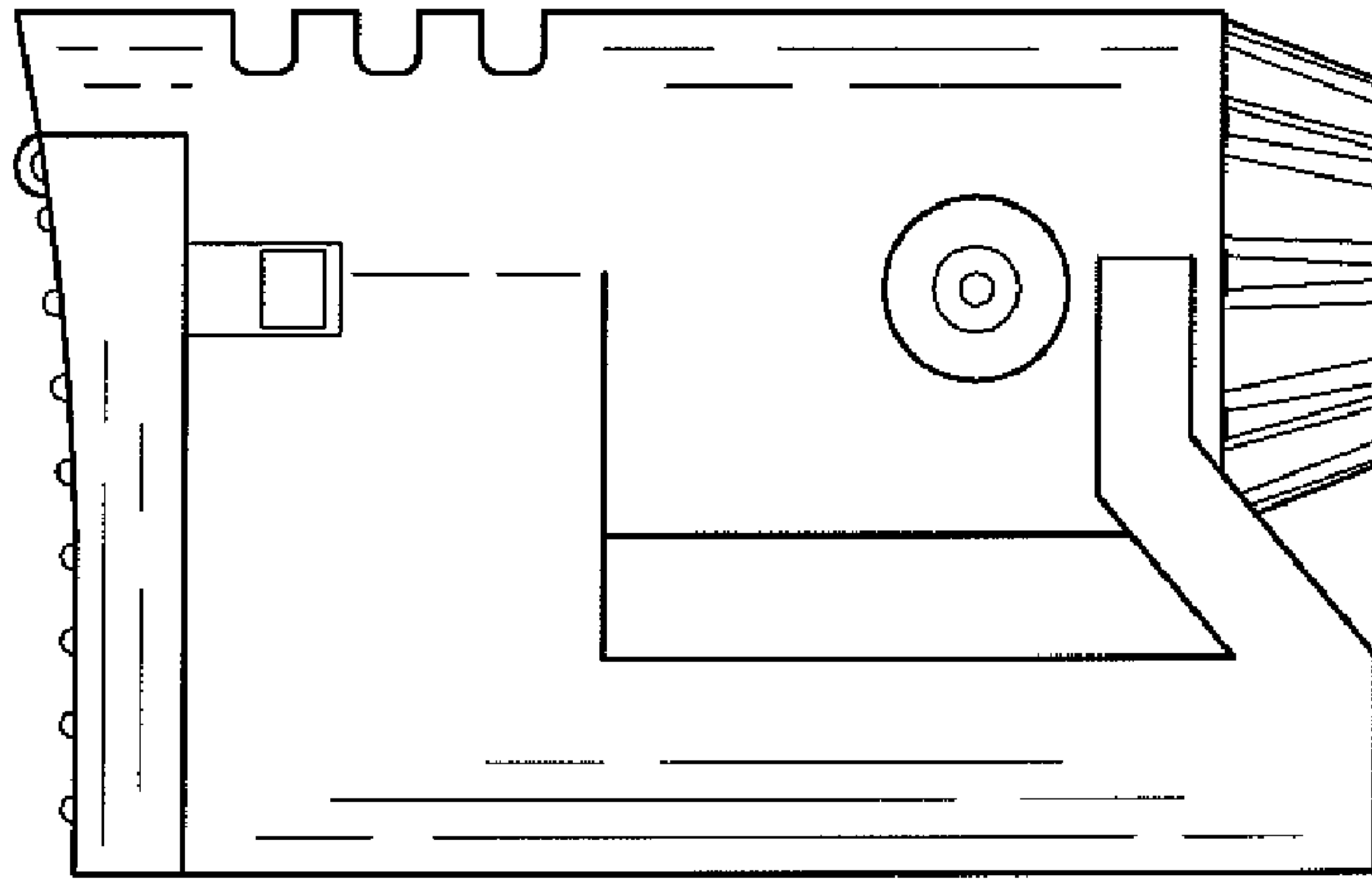


FIG. 4

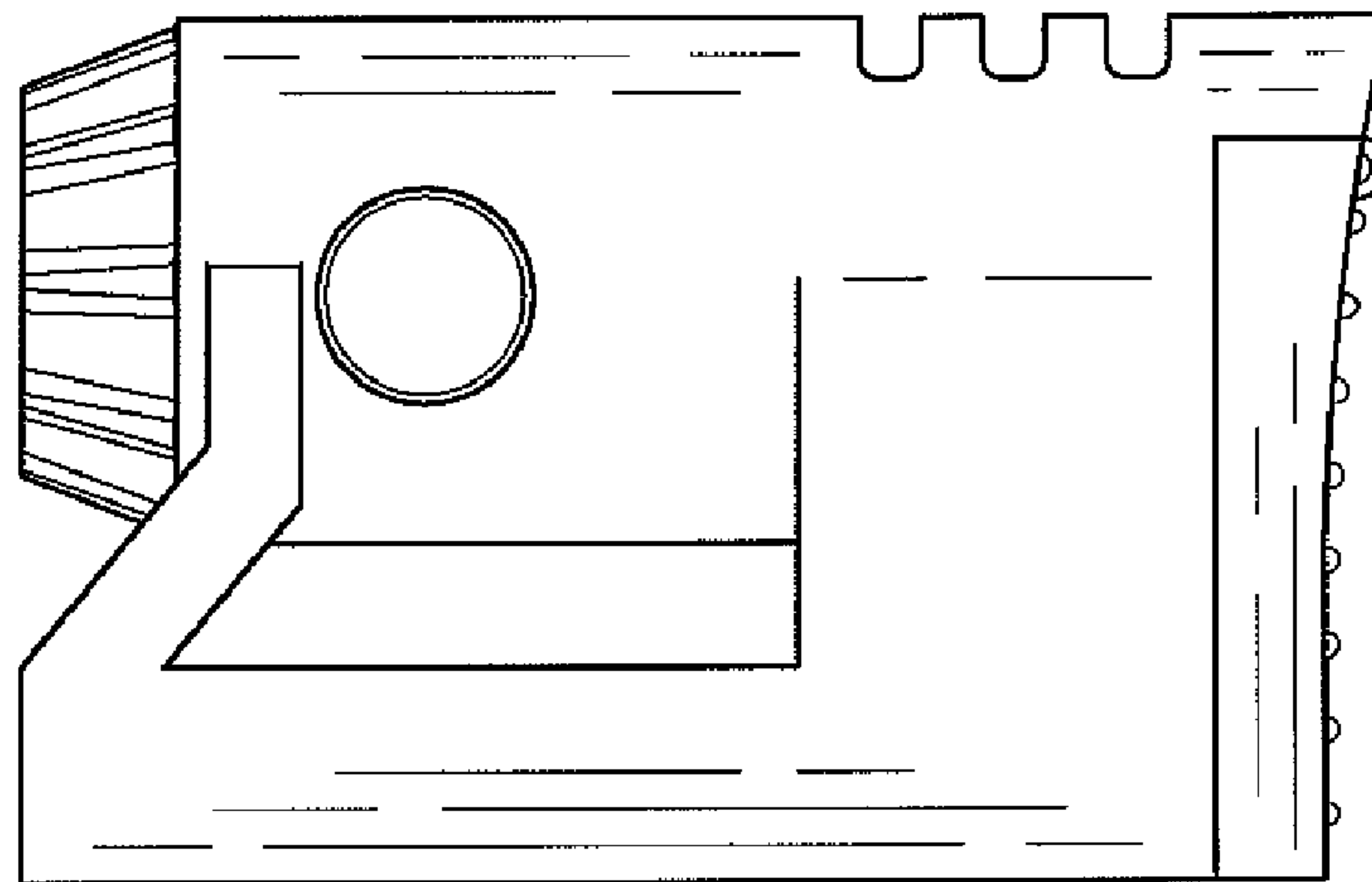


FIG. 5

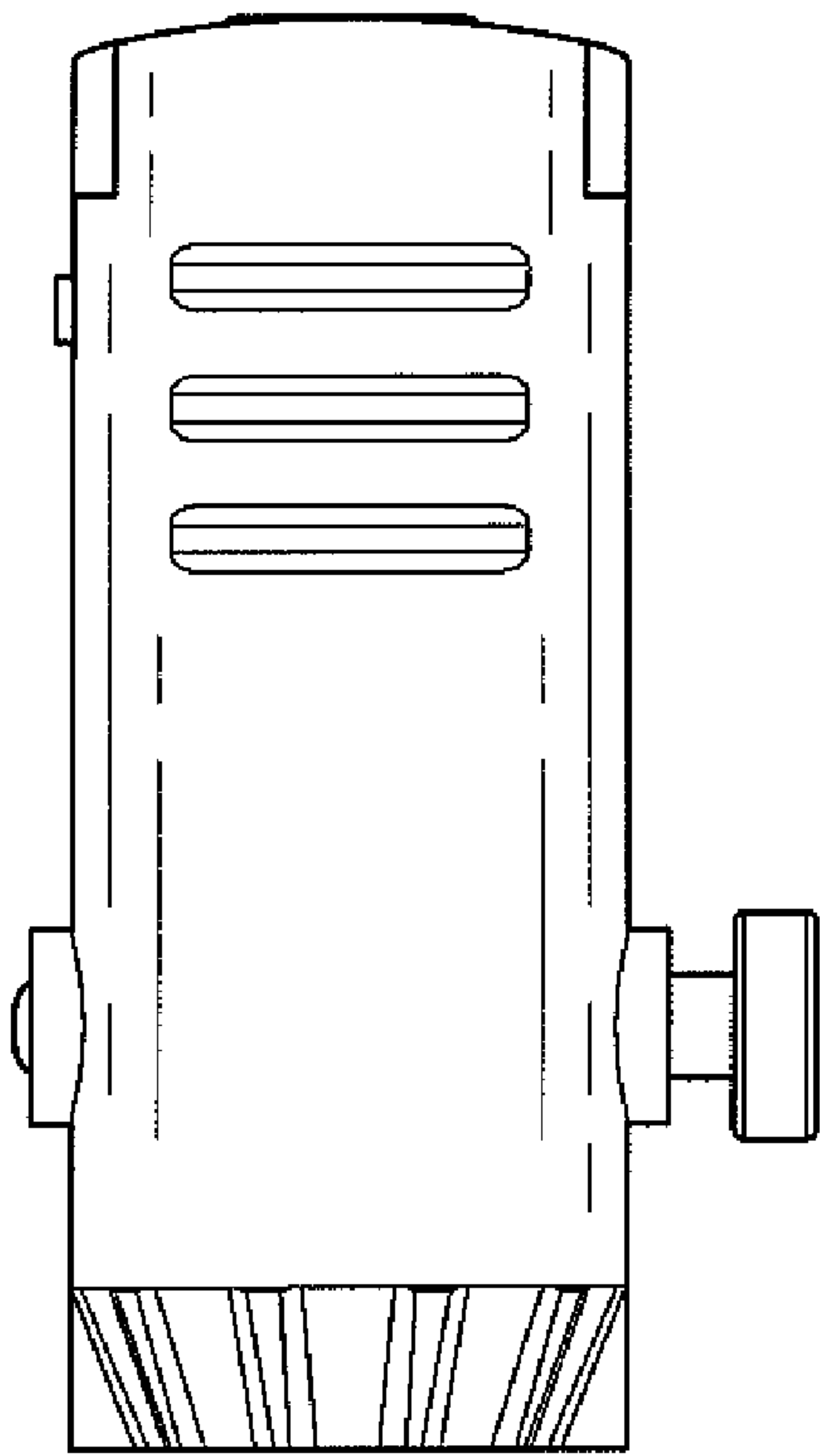


FIG. 6

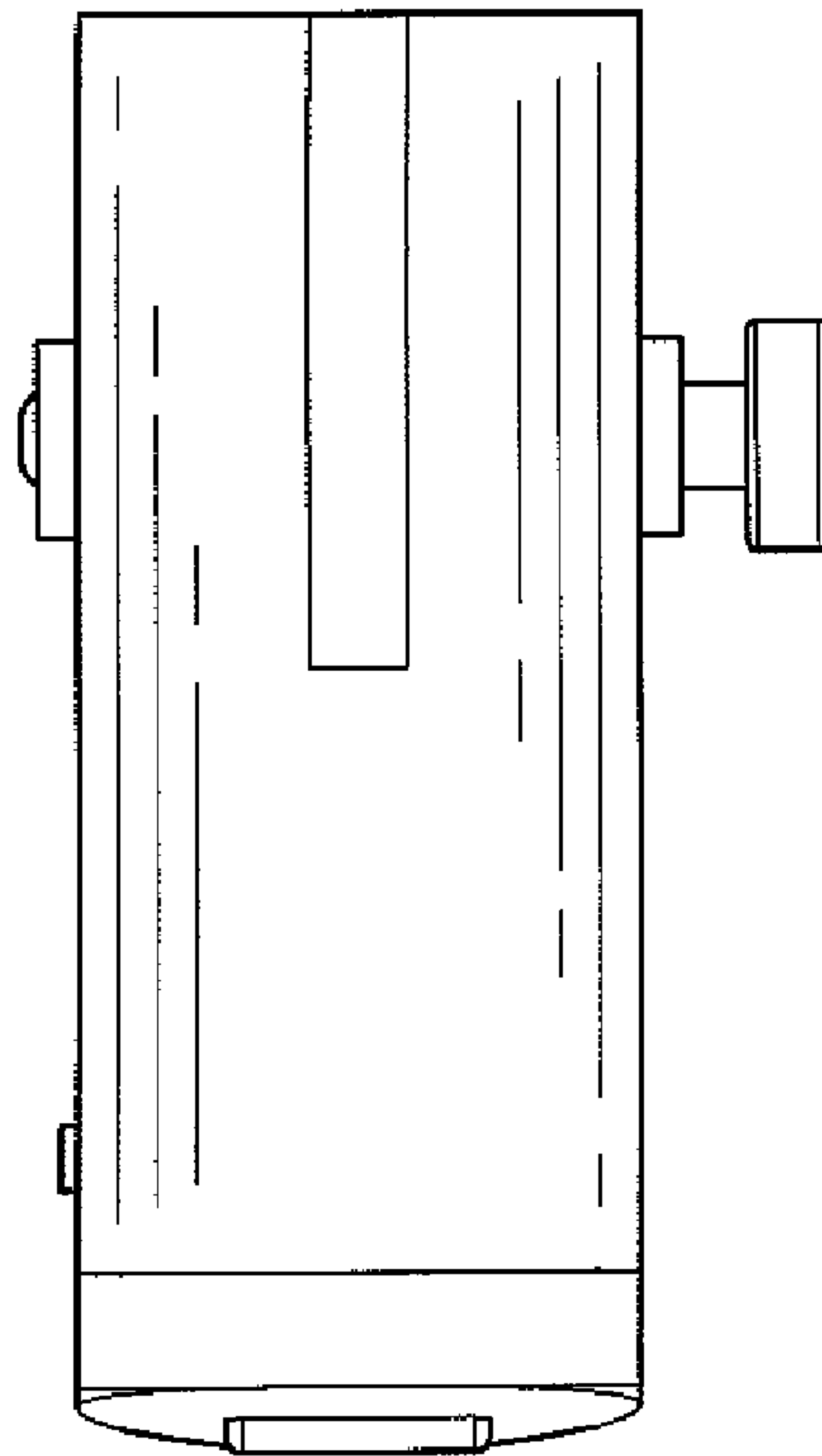


FIG. 7